



US00D836204S

(12) **United States Design Patent**  
**Montgomery**

(10) **Patent No.:** **US D836,204 S**

(45) **Date of Patent:** **\*\* Dec. 18, 2018**

(54) **TOOTH WHITENING DENTAL APPLIANCE WITH SEE-THROUGH BODY HAVING AN EMBEDDED OPAQUE STRIP WITH LIGHT EMITTING DIODES**

(71) Applicant: **ORACEUTICAL LLC**, Lee, MA (US)

(72) Inventor: **R. Eric Montgomery**, Monterey, MA (US)

(73) Assignee: **ORACEUTICAL LLC**, Lee, MA (US)

(\*\*) Term: **15 Years**

(21) Appl. No.: **29/606,868**

(22) Filed: **Jun. 8, 2017**

(51) **LOC (11) Cl.** ..... **24-02**

(52) **U.S. Cl.**  
USPC ..... **D24/181**

(58) **Field of Classification Search**  
USPC ..... D24/176-182; D29/108  
(Continued)

(56) **References Cited**

**U.S. PATENT DOCUMENTS**

2,822,612 A 2/1958 Strickler  
D277,605 S 2/1985 Werrin  
(Continued)

**FOREIGN PATENT DOCUMENTS**

CA 2319890 3/2001

**OTHER PUBLICATIONS**

“Smile Teeth Whitening Systems,” Nov. 15, 2007, [www.smileteethwhitening.com/asupplies.html](http://www.smileteethwhitening.com/asupplies.html).

(Continued)

*Primary Examiner* — Wan Laymon

(74) *Attorney, Agent, or Firm* — Cislo & Thomas, LLP

(57) **CLAIM**

The ornamental design for a tooth whitening dental appliance with see-through body having an embedded opaque strip with light emitting diodes, as shown and described.

**DESCRIPTION**

FIG. 1 is an isometric depiction taken from the top of a tooth whitening dental appliance with a see-through body having embedded opaque strip with light emitting diodes in which the opaque strip and light emitting diodes are visible through the body, according to my new design, with an electrical cord for powering the light emitting diodes represented by broken lines;

FIG. 2 is an isometric depiction taken from the bottom of the tooth whitening dental appliance shown in FIG. 1, with the electrical cord for powering the light emitting diodes represented by broken lines;

FIG. 3 is a top view of the tooth whitening dental appliance shown in FIG. 1, with the electrical cord for powering the light emitting diodes represented by broken lines;

FIG. 4 is a bottom view of the tooth whitening dental appliance shown in FIG. 1, with the electrical cord for powering the light emitting diodes represented by broken lines;

FIG. 5 is a view of the left side of the tooth whitening dental appliance shown in FIG. 1, with the electrical cord for powering the light emitting diodes represented by broken lines;

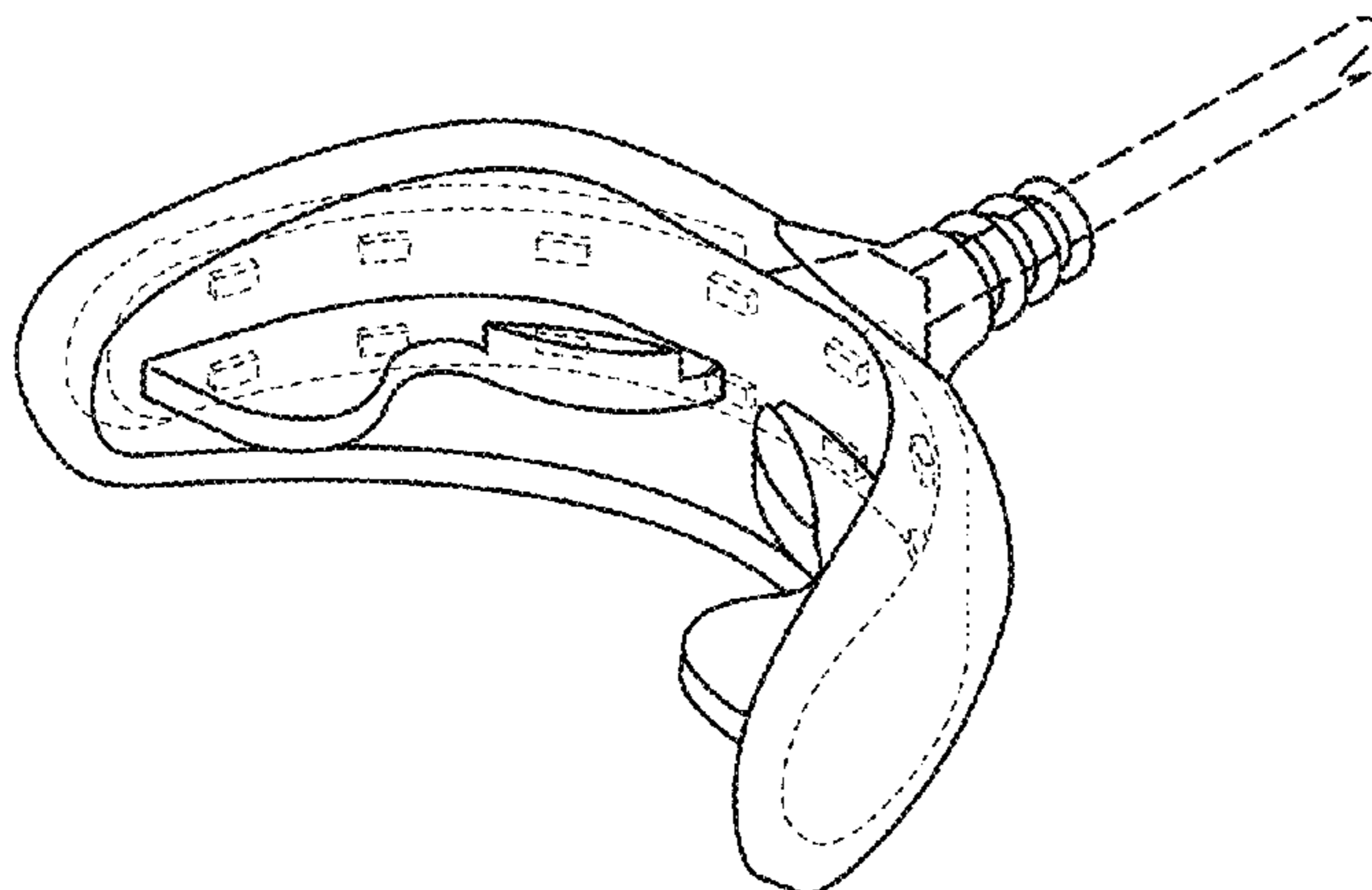
FIG. 6 is a view of the right side of the tooth whitening dental appliance shown in FIG. 1, with the electrical cord for powering the light emitting diodes represented by broken lines;

FIG. 7 is a front view of the tooth whitening dental appliance shown in FIG. 1; and,

FIG. 8 is a rear view of the tooth whitening dental appliance shown in FIG. 1.

The broken lines in the drawings form no part of the claimed design.

**1 Claim, 3 Drawing Sheets**



(58) **Field of Classification Search**  
 CPC ..... A61C 19/066; A61C 19/06; A61C 19/063;  
 A61C 9/0006; A61C 7/08; A61C 7/36  
 See application file for complete search history.

(56) **References Cited**

U.S. PATENT DOCUMENTS

5,277,203	A	1/1994	Hays
5,702,250	A	12/1997	Kipke
D434,501	S	11/2000	Redhage
6,155,832	A	12/2000	Wiesel
6,162,055	A	12/2000	Montgomery et al.
6,616,451	B1	9/2003	Rizolu et al.
6,623,272	B2	9/2003	Clemans
6,733,290	B2	5/2004	West et al.
6,752,627	B2	6/2004	Lin
6,783,363	B2	8/2004	Eguchi et al.
6,895,970	B1	5/2005	Lawrence et al.
6,902,397	B2	6/2005	Farrell et al.
6,976,841	B1	12/2005	Osterwalder
7,004,756	B2	2/2006	Anderson
7,086,862	B2	8/2006	Craig
D528,655	S	9/2006	Clawson
D529,615	S	10/2006	Atz
7,144,249	B2	12/2006	Rizoju et al.
7,160,111	B2	1/2007	Baughman
7,223,270	B2	5/2007	Altshuler et al.
7,250,155	B2	7/2007	Yamaguchi et al.
D554,259	S	10/2007	Diacopoulos et al.
7,530,355	B2	5/2009	Berghash
D594,125	S	6/2009	Lesniak
D603,101	S	10/2009	Hirshberg
D618,399	S	6/2010	Manzo
D618,806	S	6/2010	Gelb

D636,074	S	4/2011	Levine
8,029,278	B1	10/2011	Levine
8,215,954	B2	7/2012	Levine
8,371,853	B2	2/2013	Levine
8,591,227	B2	11/2013	Levine
D765,255	S	8/2016	Levine
9,492,257	B2 *	11/2016	Jablow ..... A61C 19/066
9,572,645	B2	2/2017	Levine et al.
D795,439	S *	8/2017	Mounce ..... D24/181
D795,501	S *	8/2017	Levine ..... D29/108
2005/0053898	A1	3/2005	Ghosh et al.
2005/0064370	A1	3/2005	Duret
2005/0074717	A1	4/2005	Cleary et al.
2005/0158687	A1	7/2005	Dahm
2005/0172429	A1	8/2005	Russell et al.
2005/0202363	A1	9/2005	Osterwalder
2005/0231983	A1	10/2005	Dahm
2006/0019214	A1	1/2006	Lawrence et al.
2006/0141422	A1	6/2006	Philip, Jr. et al.
2006/0194164	A1	8/2006	Altshuler et al.
2006/0257822	A1	11/2006	Ghosh et al.
2007/0003905	A1	1/2007	Nguyen et al.
2007/0015112	A1	1/2007	Hochman et al.
2008/0044796	A1	2/2008	Hsu
2011/0104633	A1 *	5/2011	Levine ..... A61C 19/063 433/29

OTHER PUBLICATIONS

“Welcome to Perfectly White.com (online since 2004),” Nov. 15, 2007, [www.perfectlywhite.com/](http://www.perfectlywhite.com/).  
 “Sunshine Smiles Brite-Teeth Laser Light Home Teeth Whitening,” Nov. 15, 2007, [www.exit15.com/briteteeth-laser-light-home-teeth-whitening-p-760.html](http://www.exit15.com/briteteeth-laser-light-home-teeth-whitening-p-760.html).

\* cited by examiner

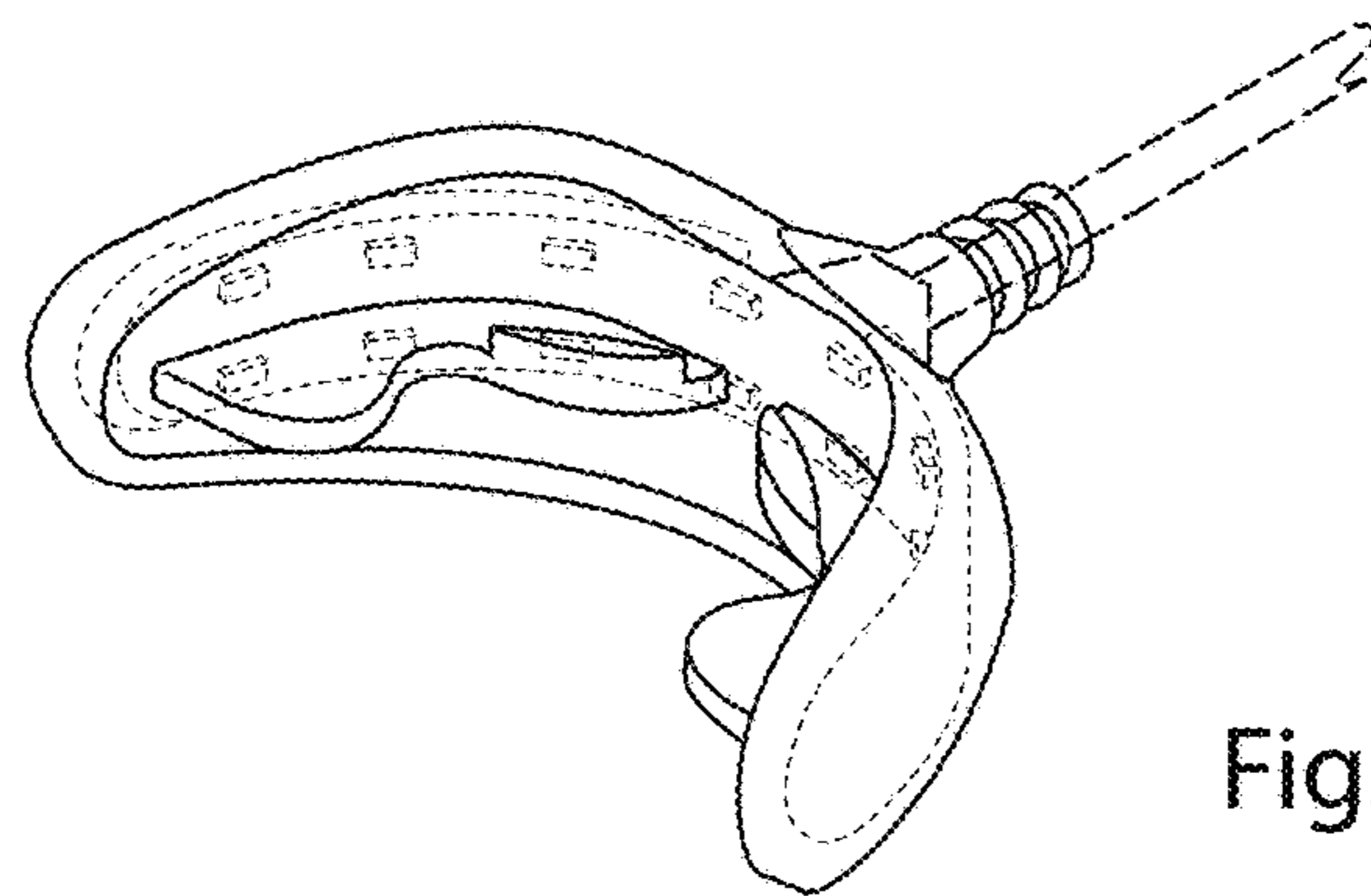


Fig. 1

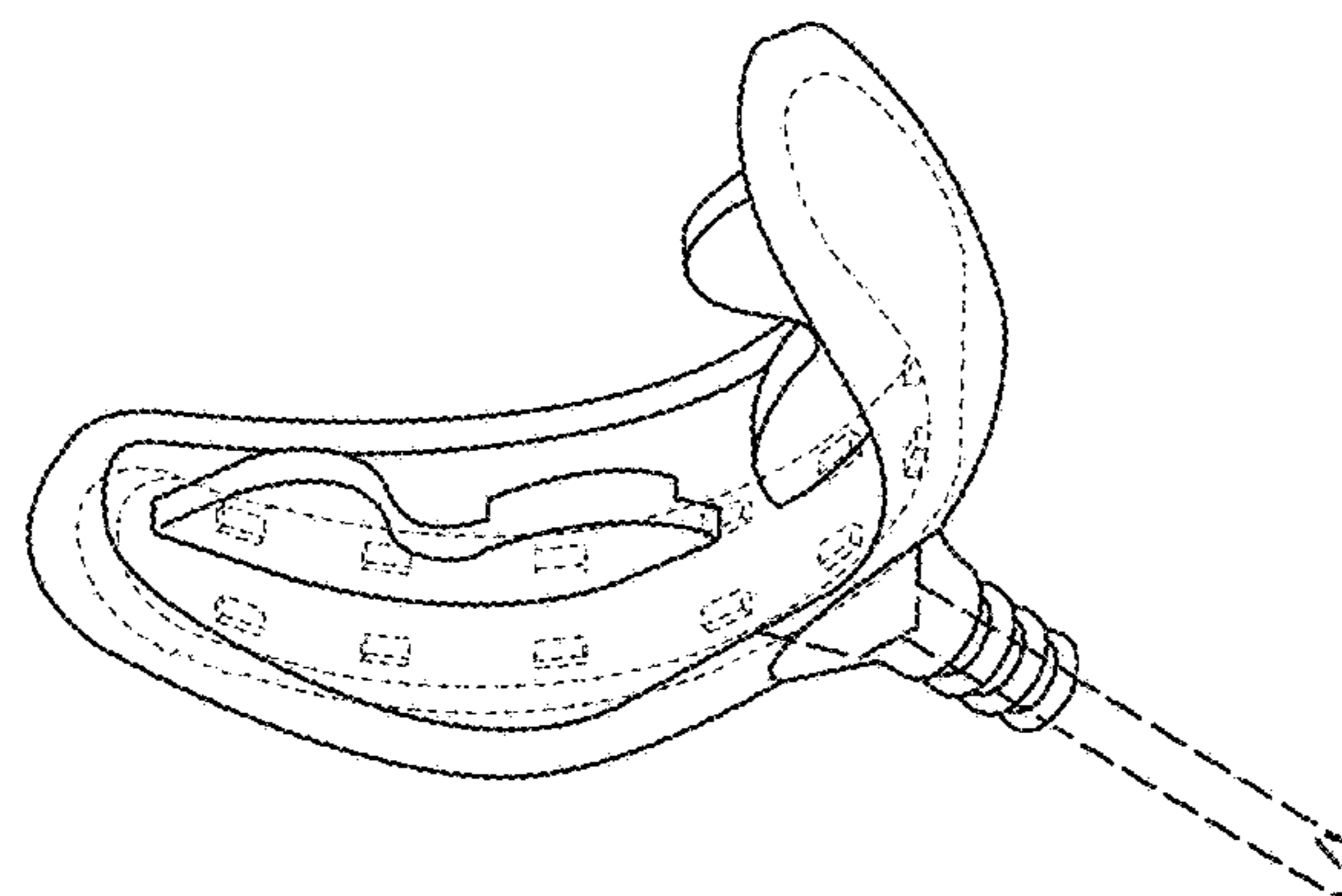


Fig. 2

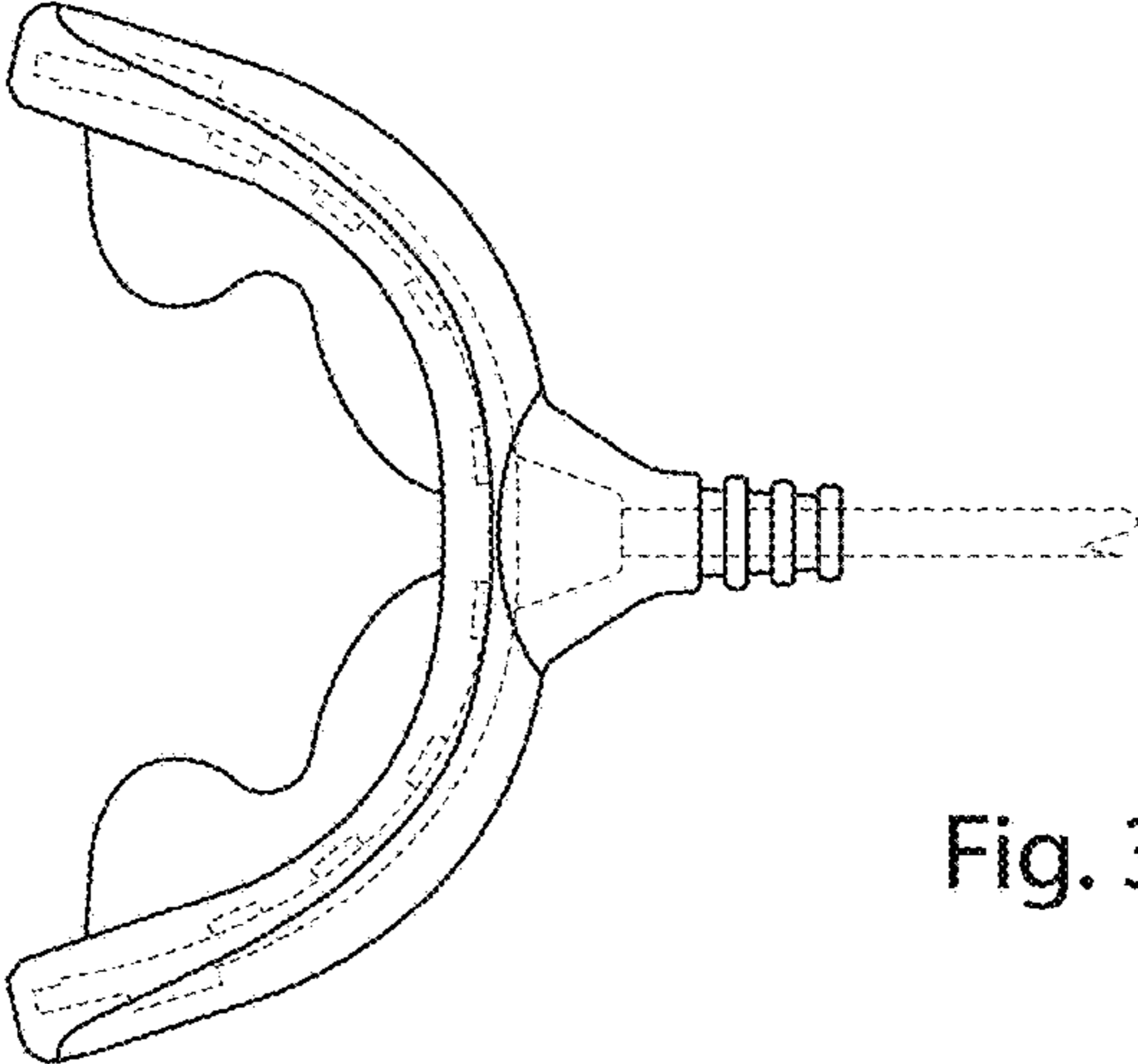


Fig. 3

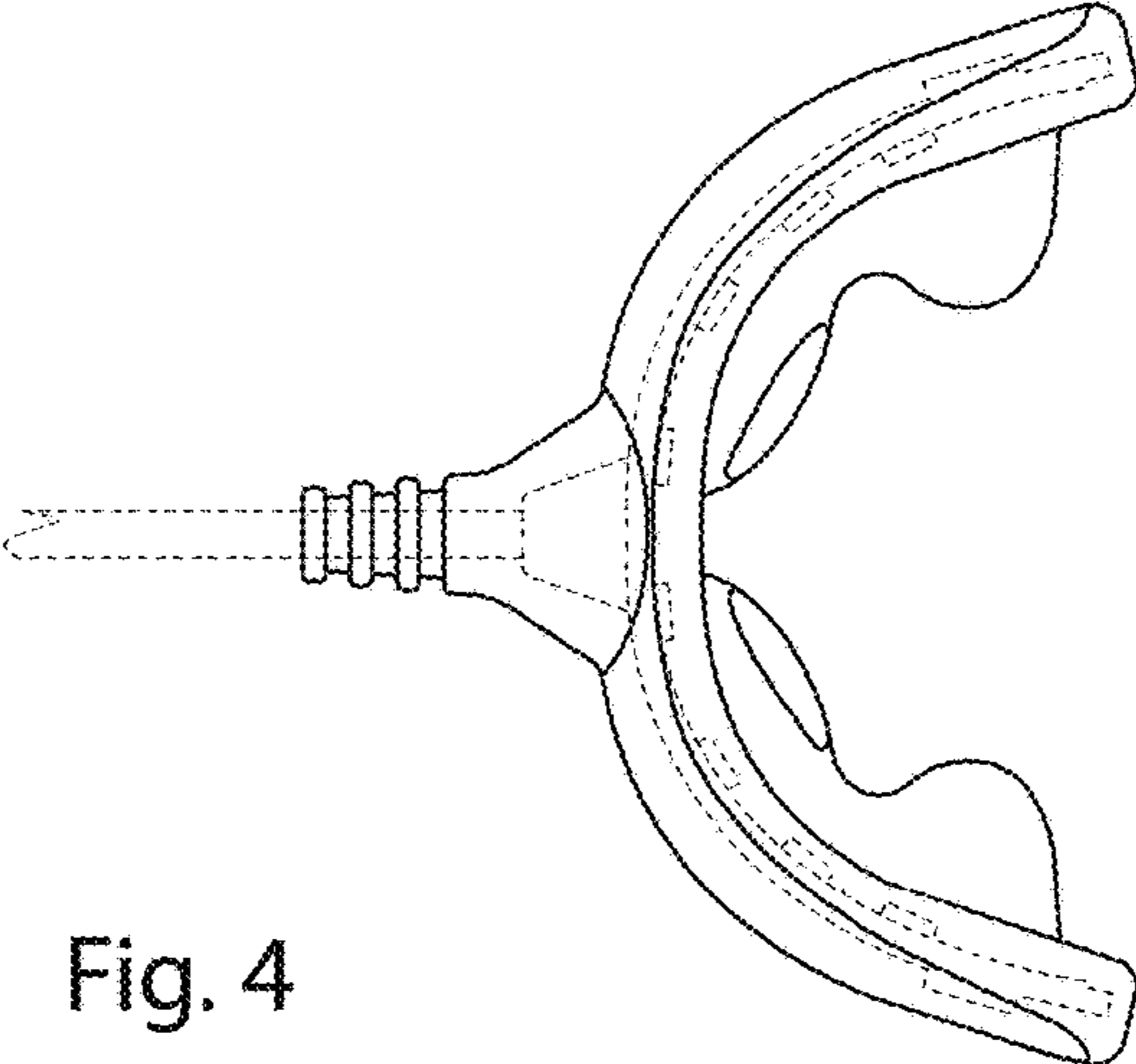


Fig. 4

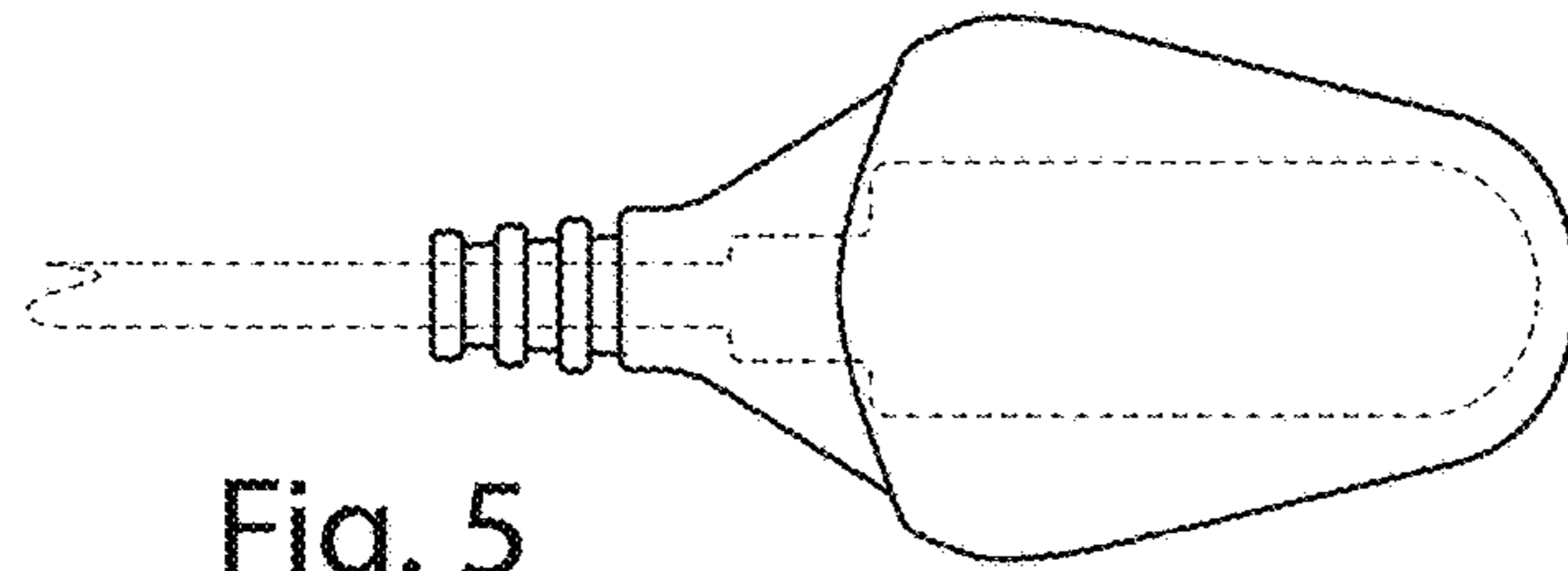


Fig. 5

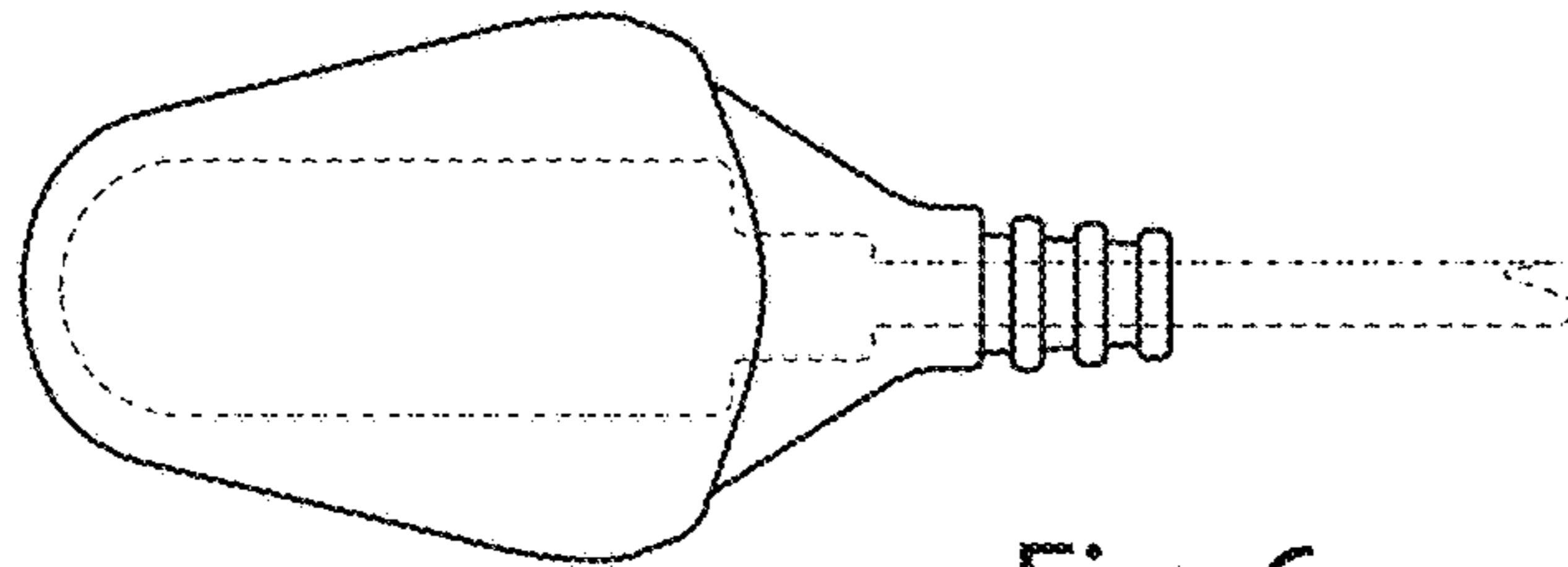


Fig. 6

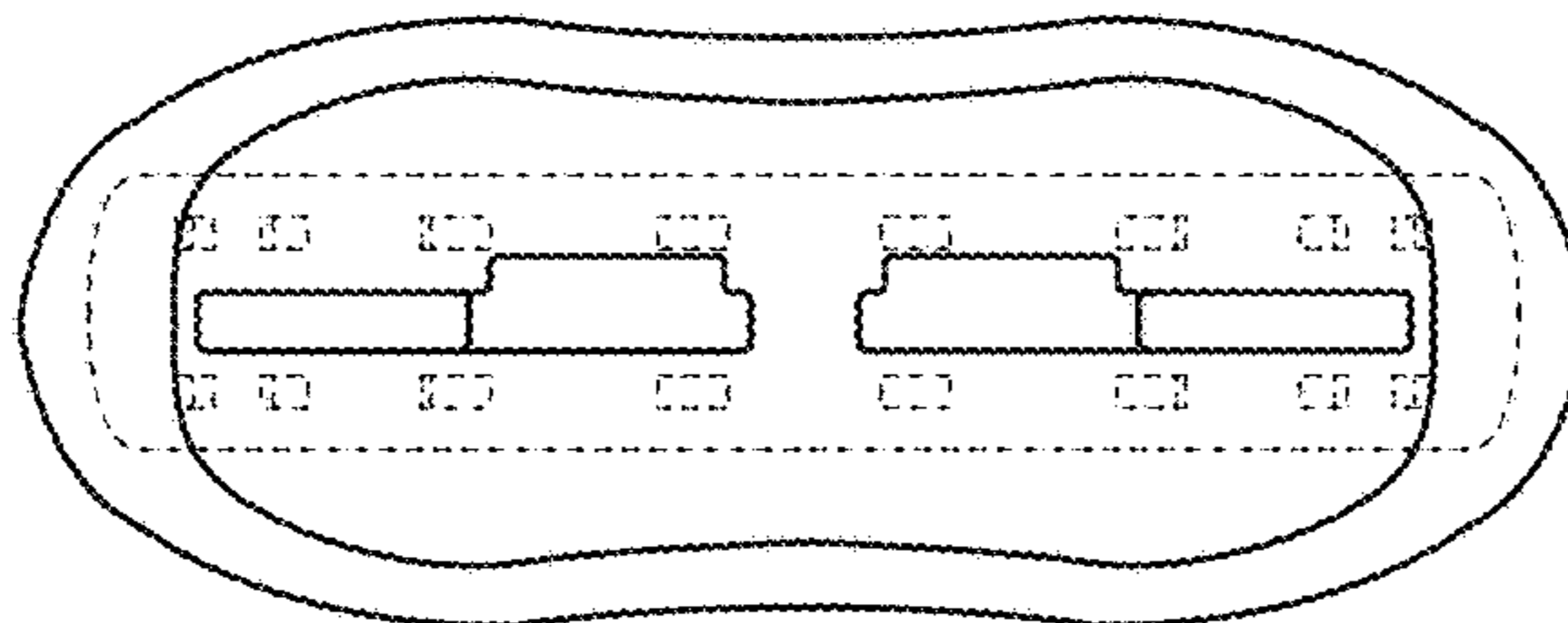


Fig. 7

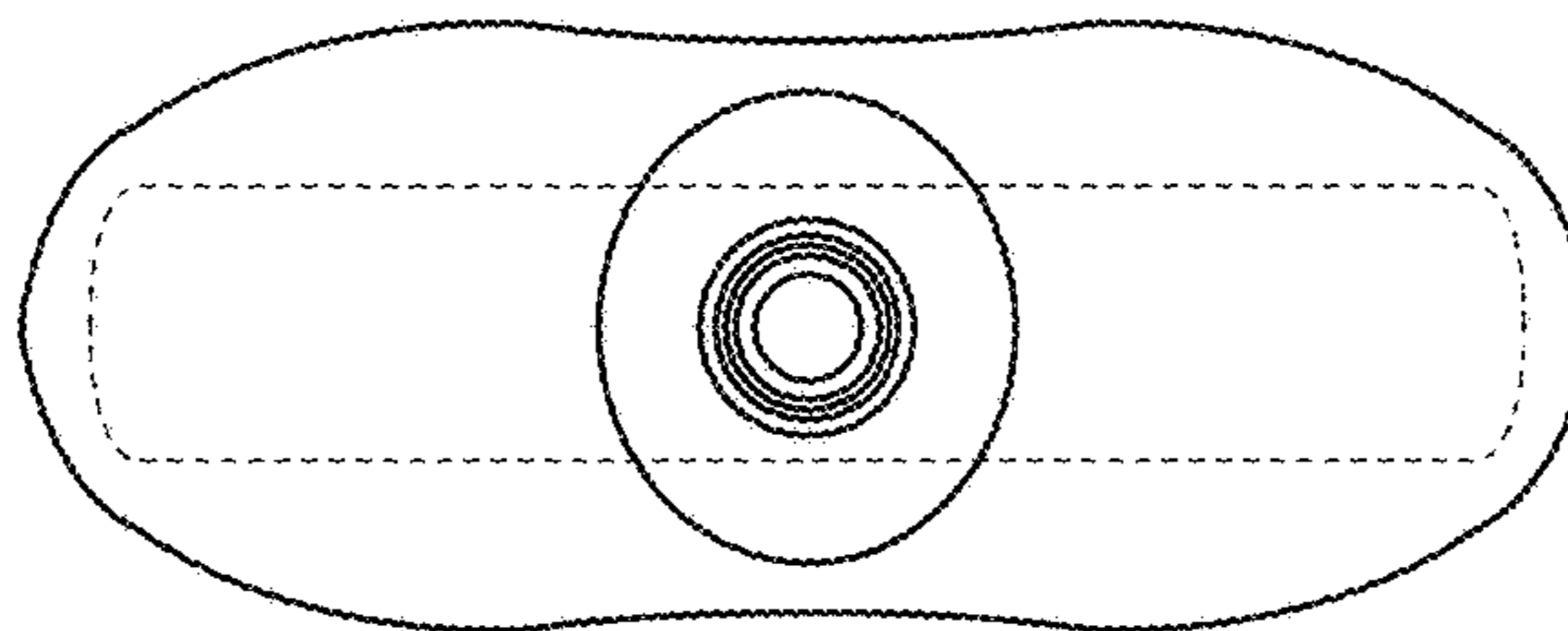


Fig. 8