



US00D836202S

(12) **United States Design Patent**  
**Andrews et al.**

(10) **Patent No.:** **US D836,202 S**  
(45) **Date of Patent:** **\*\* Dec. 18, 2018**

(54) **DEFIBRILLATOR**  
(71) Applicant: **Revive Solutions, Inc.**, San Mateo, CA (US)  
(72) Inventors: **Gordon Moseley P. Andrews**, Ross, CA (US); **Rory M. Beyer**, San Mateo, CA (US)  
(73) Assignee: **Revive Solutions, Inc.**, San Mateo, CA (US)  
(\*\*) Term: **15 Years**

(21) Appl. No.: **29/626,256**  
(22) Filed: **Nov. 15, 2017**  
(51) **LOC (11) Cl.** ..... **24-01**  
(52) **U.S. Cl.**  
USPC ..... **D24/167**  
(58) **Field of Classification Search**  
USPC ..... D24/107, 165, 167, 168, 185, 186, 187, D24/200; D10/70, 98; D14/344  
CPC ..... A61N 1/39; A61N 1/3925; A61N 1/3968; A61N 1/3987; A61N 1/3993  
See application file for complete search history.

(56) **References Cited**  
U.S. PATENT DOCUMENTS

D326,522 S \* 5/1992 Arnoy ..... D24/167  
D551,766 S \* 9/2007 Bertagnole ..... D24/167

D612,503 S \* 3/2010 Johnston ..... D24/186  
D663,843 S \* 7/2012 Wang ..... D24/166  
D717,442 S \* 11/2014 Kaib ..... D24/167  
D783,169 S \* 4/2017 Anderson ..... D24/167  
D788,625 S \* 6/2017 Hsieh ..... D10/70  
D796,975 S \* 9/2017 Jou ..... D10/70

\* cited by examiner

*Primary Examiner* — Anhdao Doan

(74) *Attorney, Agent, or Firm* — Beyer Law Group LLP

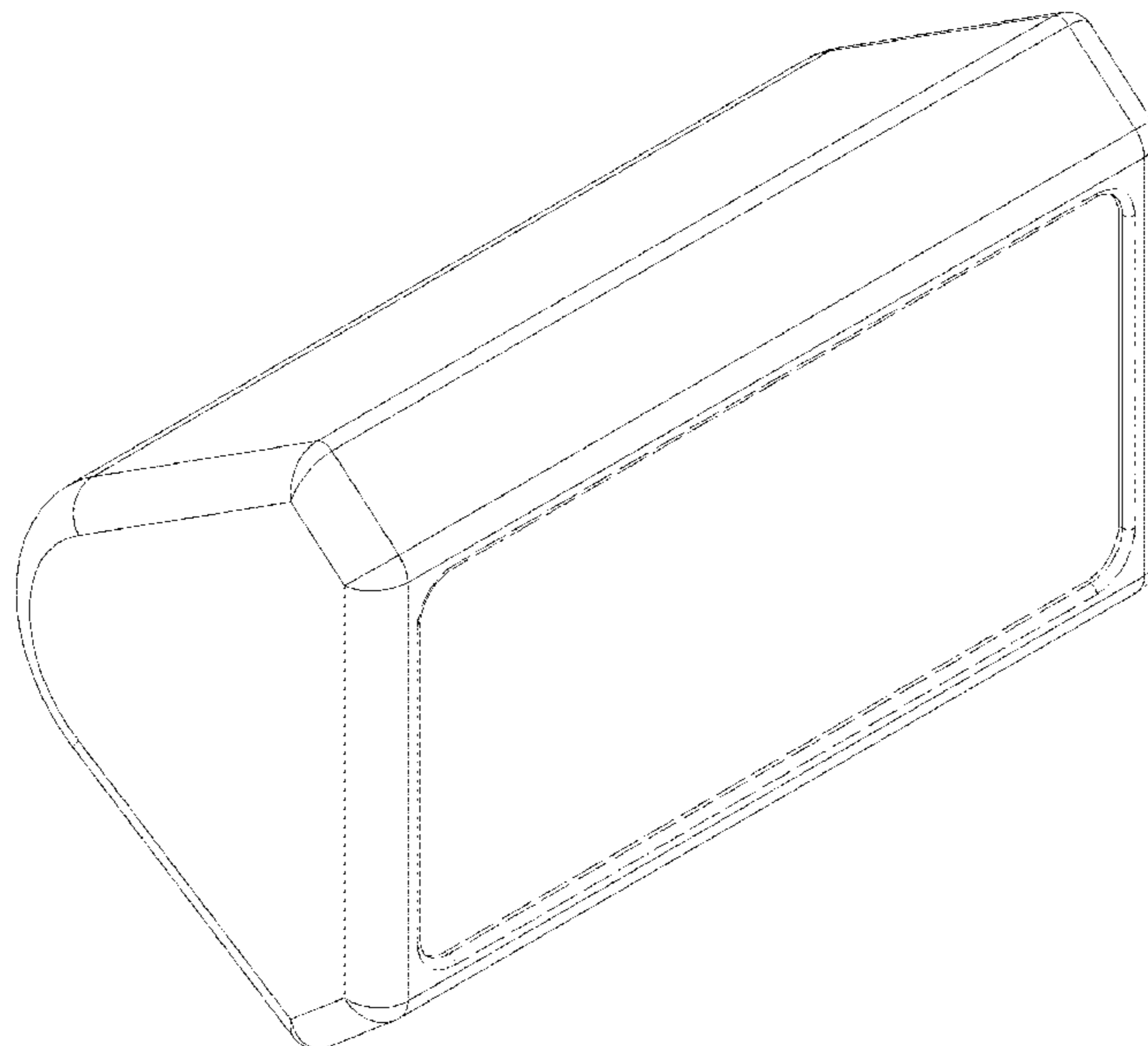
(57) **CLAIM**

We claim the ornamental design for a defibrillator, substantially as shown and described.

**DESCRIPTION**

FIG. 1 is a perspective view of a defibrillator showing our new design.  
FIG. 2 is a top view thereof.  
FIG. 3 is a bottom view thereof.  
FIG. 4 is a front view thereof.  
FIG. 5 is a back view thereof.  
FIG. 6 is a left side view thereof.  
FIG. 7 is a right side view thereof; and,  
FIG. 8 is a second perspective view thereof.  
The broken lines immediately adjacent the claimed subject matter represent the bounds of the claim, while all other broken lines are directed to environment and are for illustrative purposes only; the broken lines form no part of the claimed design.

**1 Claim, 6 Drawing Sheets**



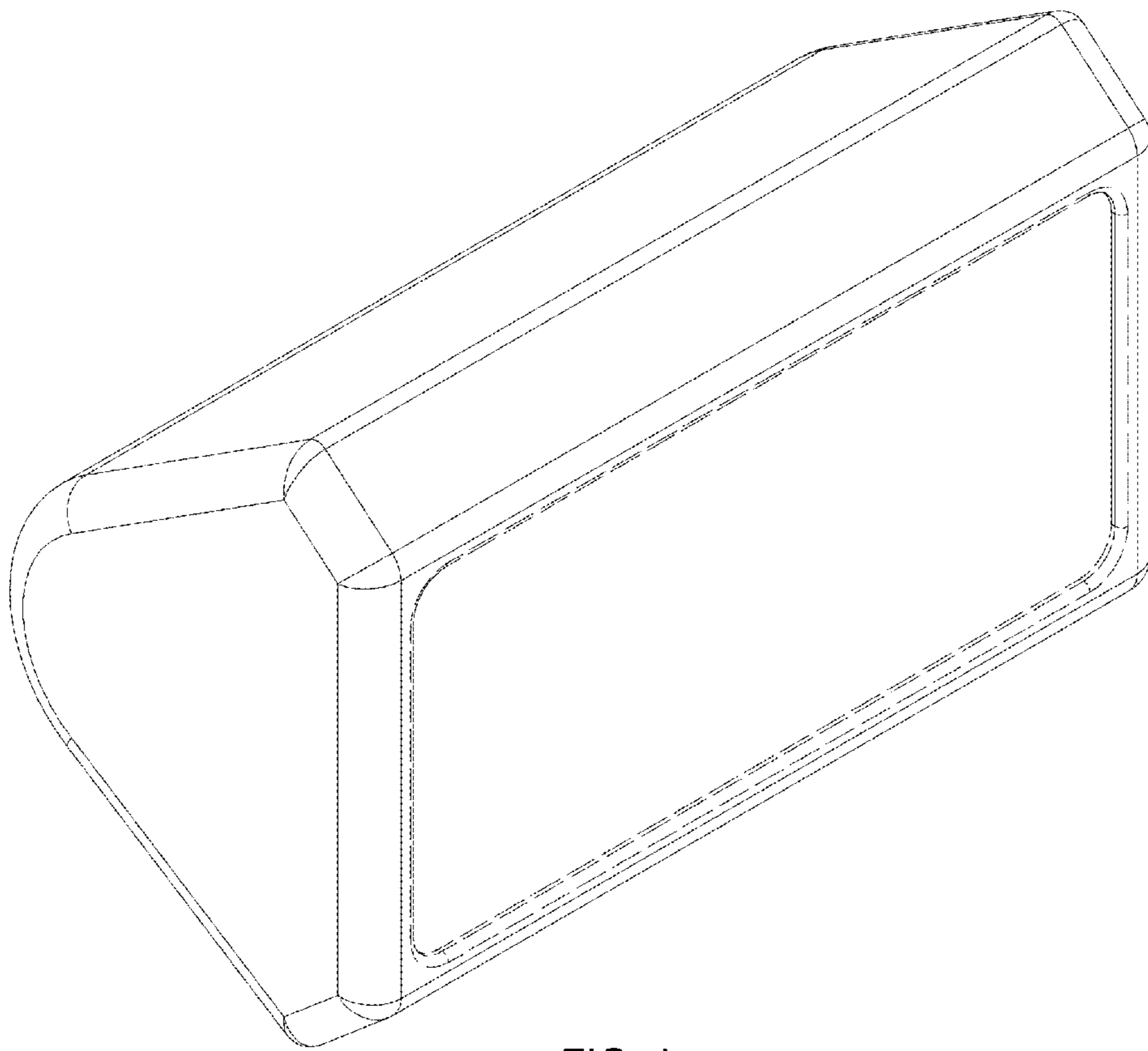


FIG. 1

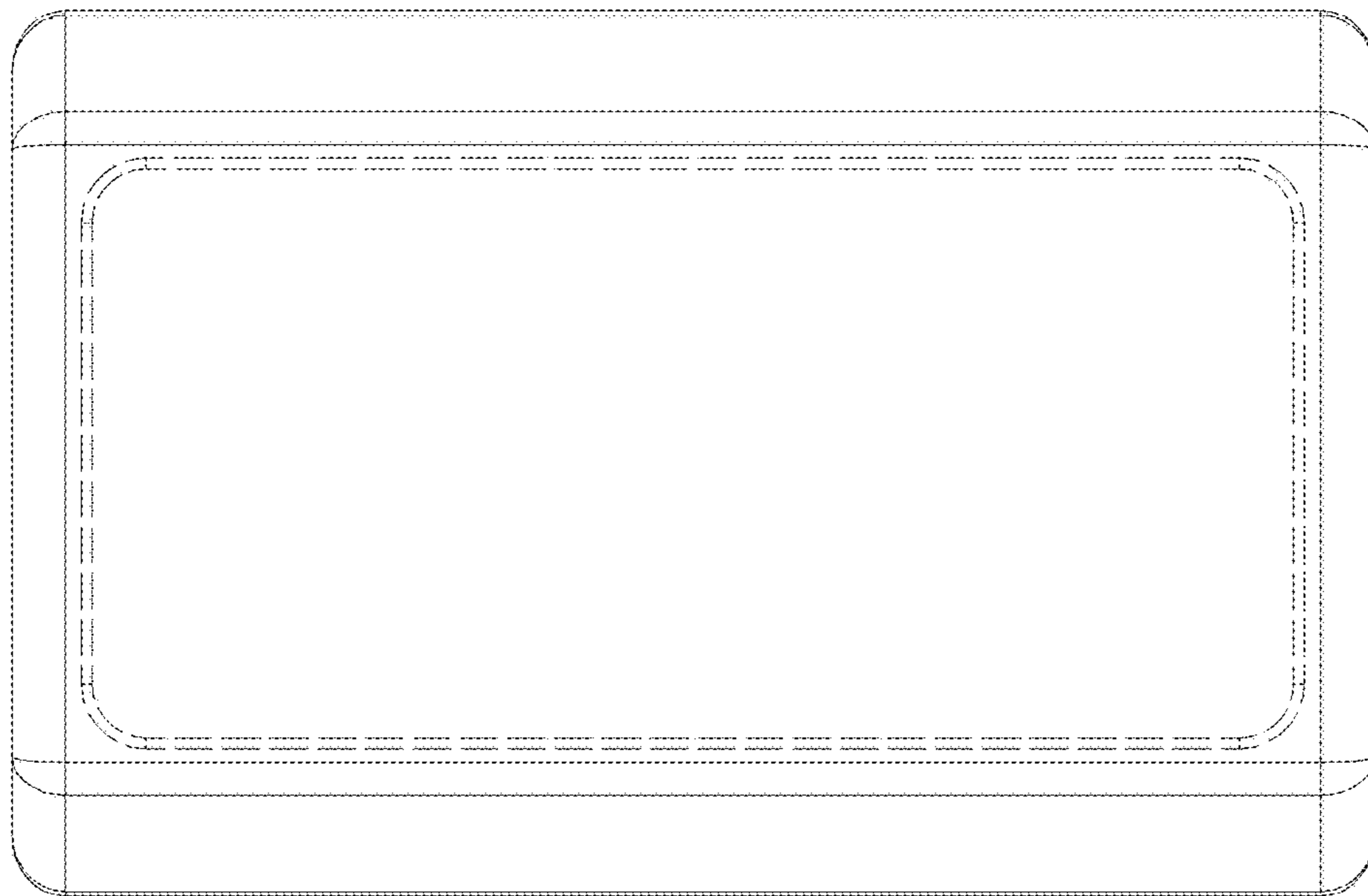


FIG. 2

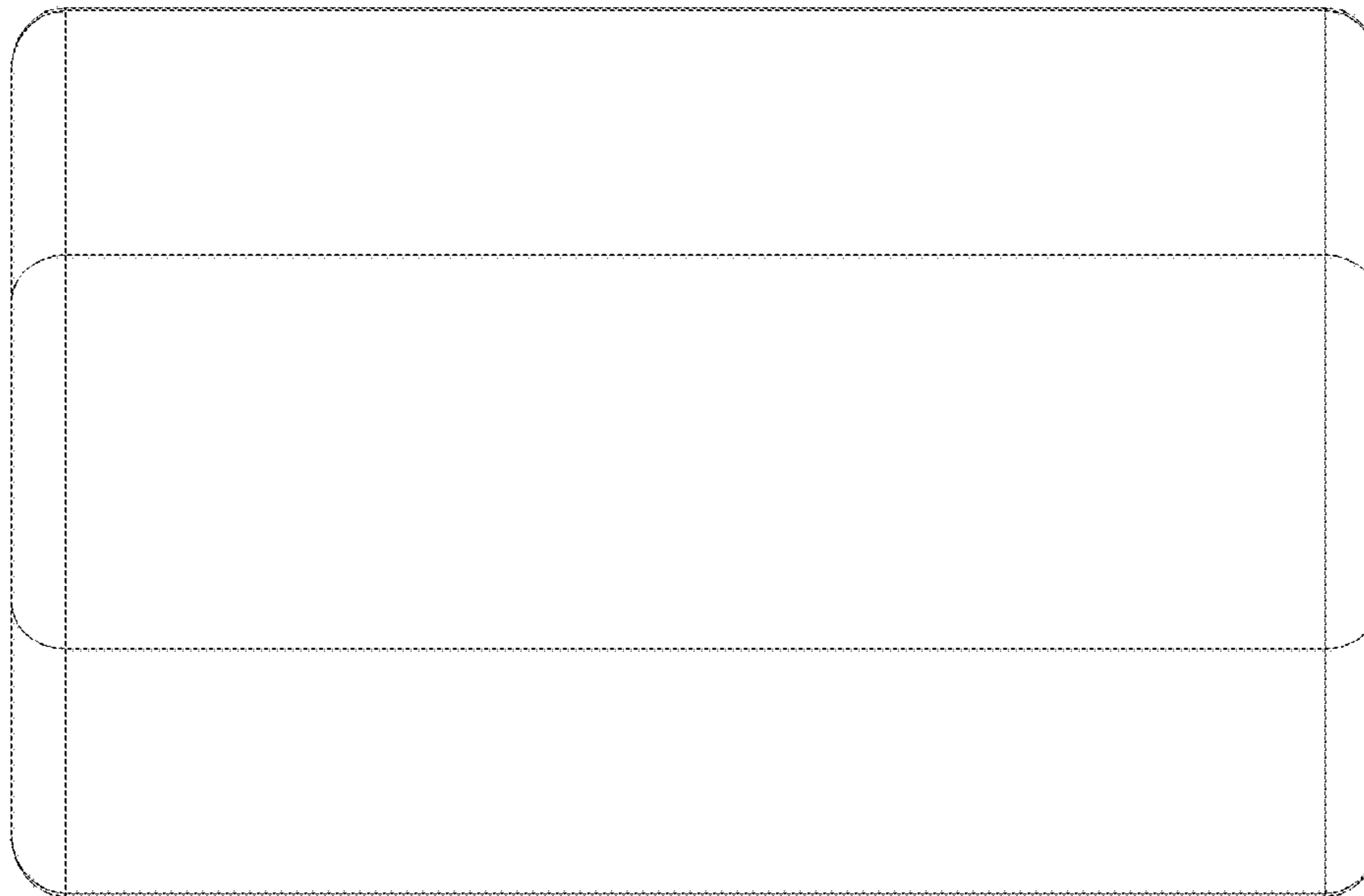


FIG. 3

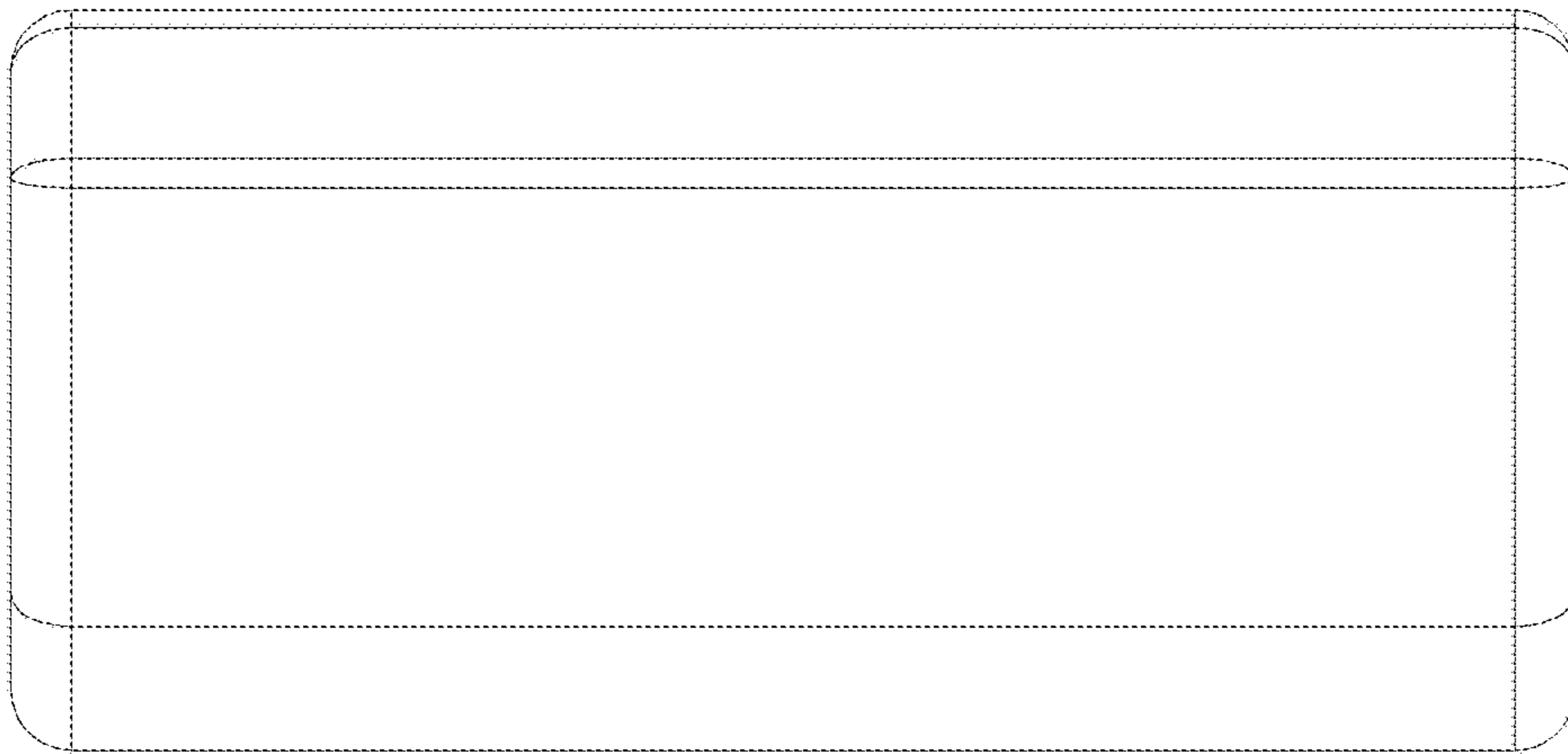


FIG. 4



FIG. 5

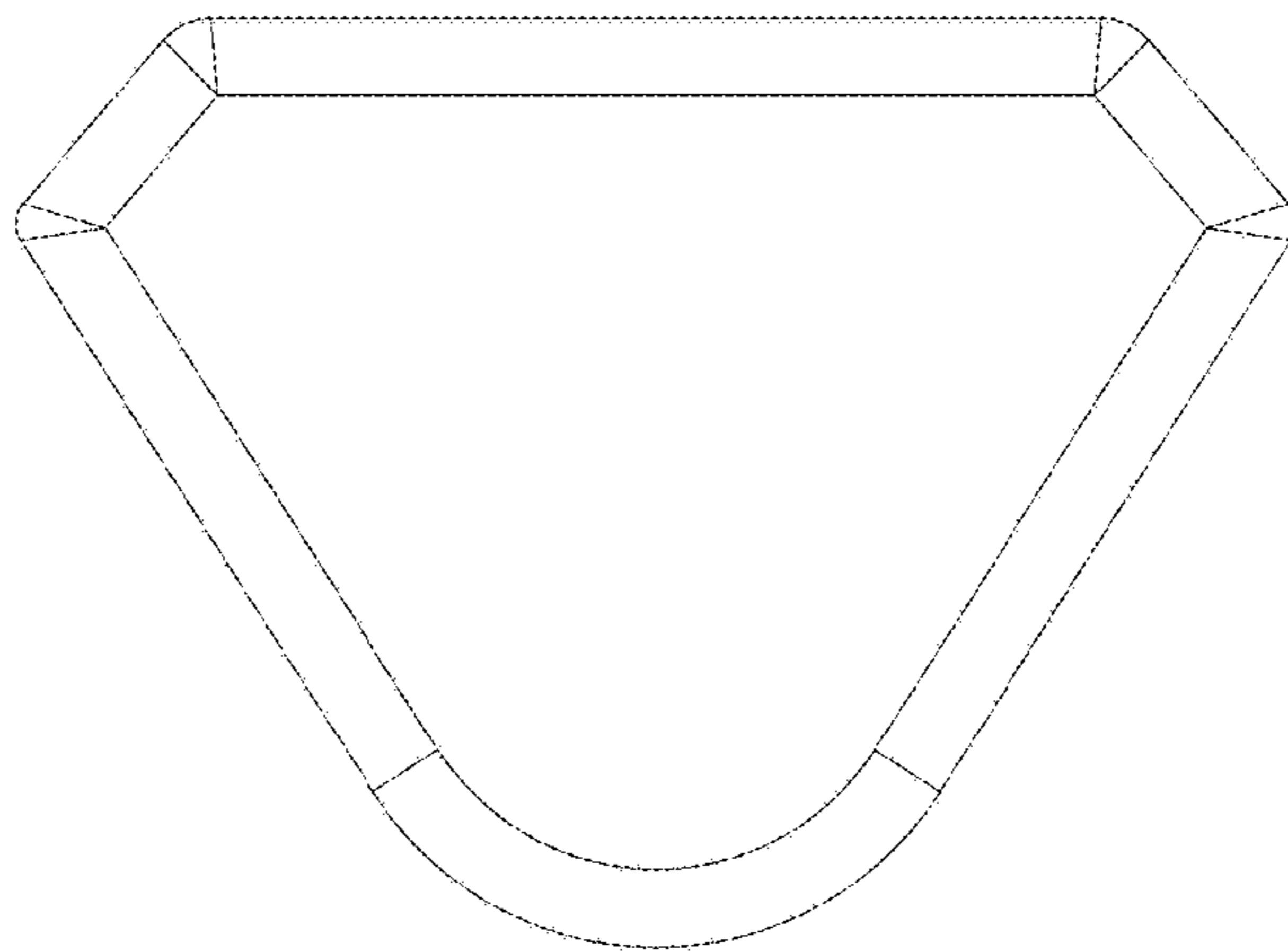


FIG. 6

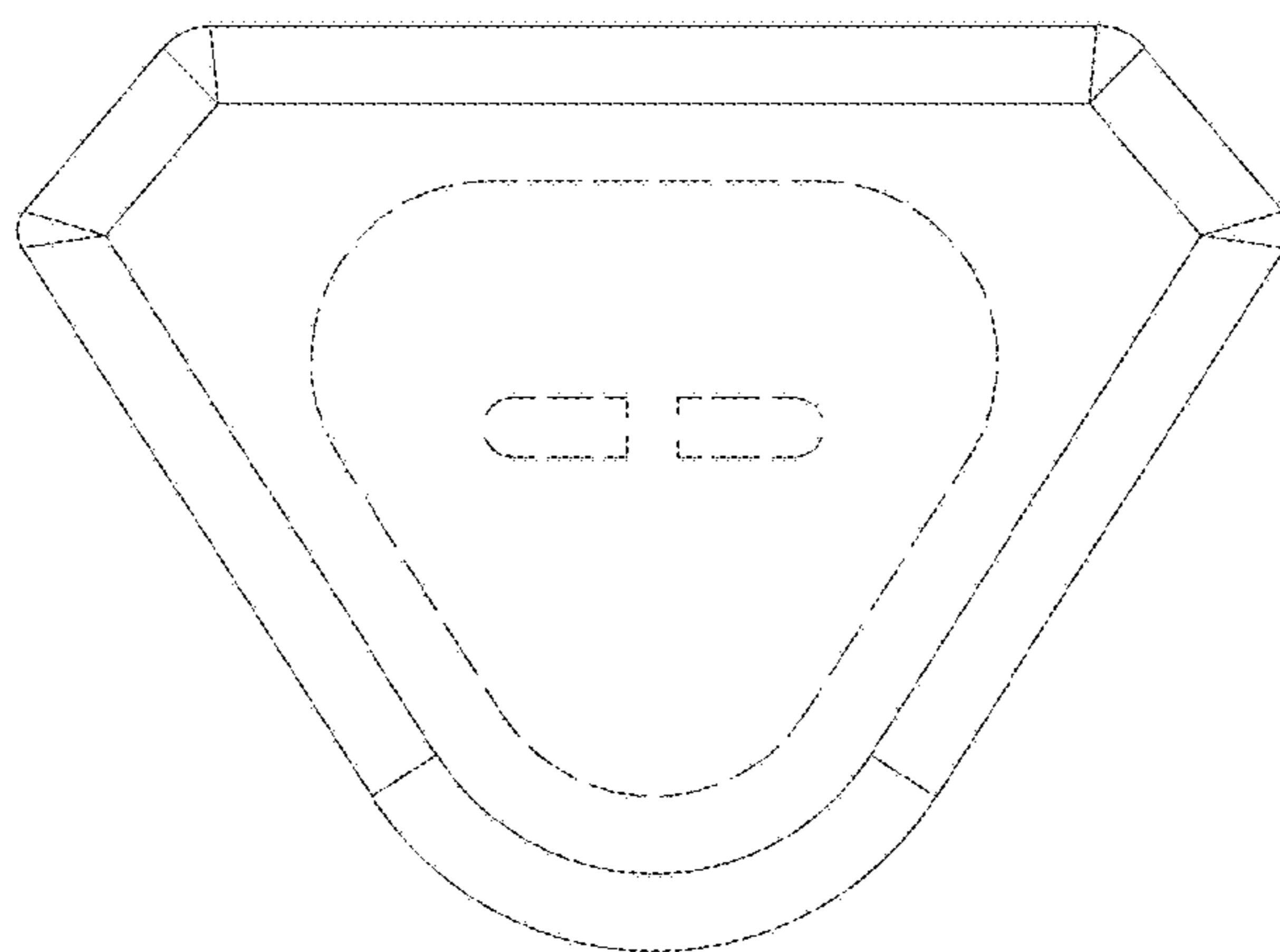


FIG. 7

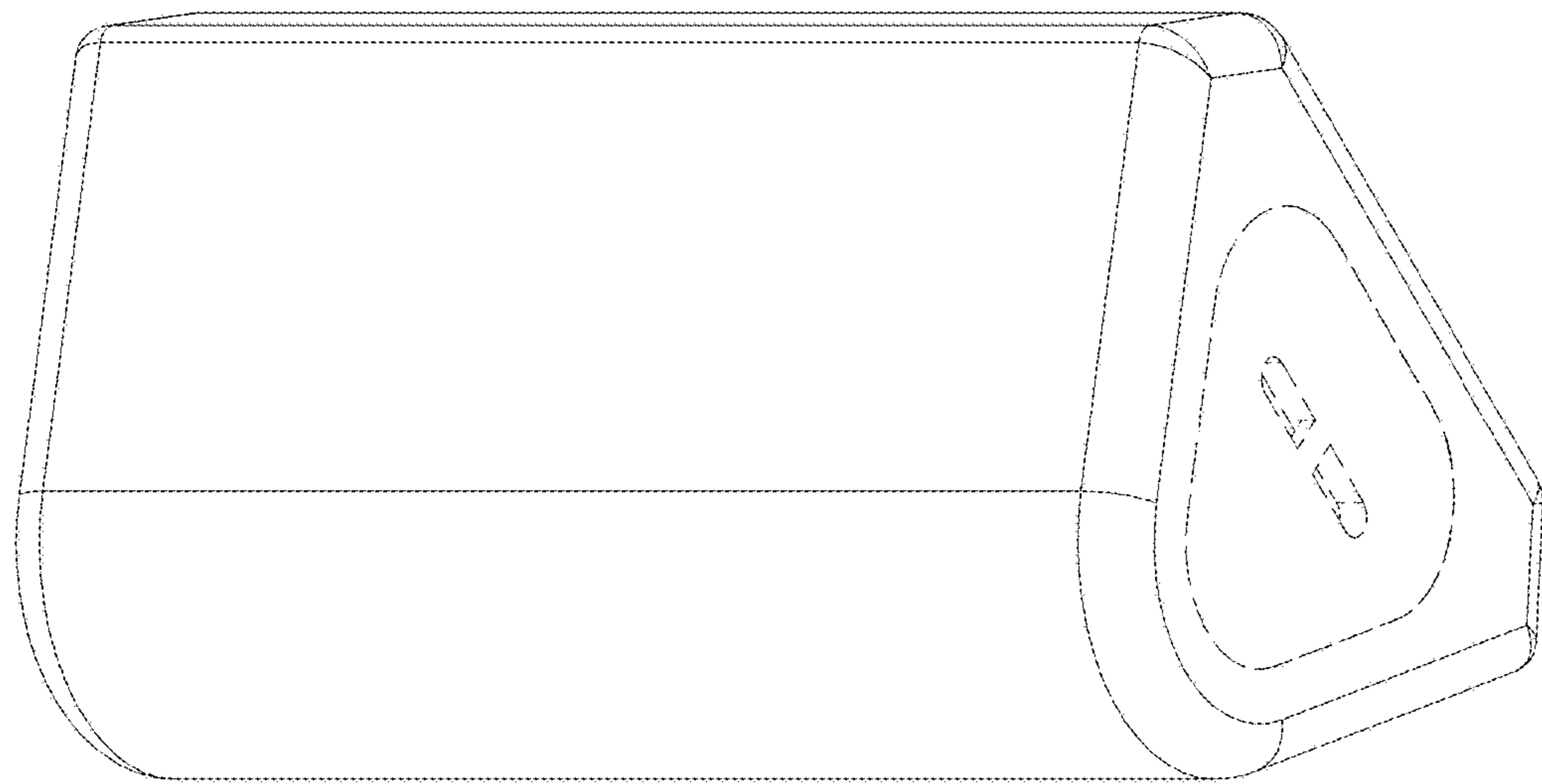


FIG. 8