

US00D836200S

(12) **United States Design Patent** (10) **Patent No.:** **US D836,200 S**
Parker et al. (45) **Date of Patent:** **** Dec. 18, 2018**

- (54) **CIRCUMCISION DEVICE** 2,631,587 A * 3/1953 Gourse A61B 17/326
 269/128
 (71) Applicant: **INNOVATIVE MEDICAL** 3,072,126 A * 1/1963 Fenton A61B 17/326
TECHNOLOGY (PTY) LTD, Cape 606/118
 Town (ZA) 3,111,124 A * 11/1963 Rodbard A61B 17/326
 606/118
 (72) Inventors: **Cyril Norman Parker,** Cape Town 2,250,422 S * 11/1978 Mallinson D30/132
 (ZA); **Elisabeth Regina Parker,** Cape D288,670 S * 3/1987 Steiner D10/50
 Town (ZA); **Jared Mark Vorster,** Cape D637,713 S * 5/2011 Nord D24/129
 Town (ZA); **David Christopher** D655,017 S * 2/2012 Mosler D24/129
Wiseman, Cape Town (ZA) D720,451 S * 12/2014 Denenburg D24/129
 D792,586 S * 7/2017 Becker D24/129
 2011/0178528 A1 * 7/2011 Kostrzewski A61B 17/326
 606/118
 (73) Assignee: **INNOVATIVE MEDICAL** 2012/0203242 A1 * 8/2012 Fuerst A61B 17/326
TECHNOLOGY (PTY) LTD, Cape 606/118
 Town (ZA) 2014/0364867 A1 * 12/2014 Siow A61B 17/326
 606/118

(**) Term: **15 Years**

(21) Appl. No.: **29/610,444**

(22) Filed: **Jul. 12, 2017**

(30) **Foreign Application Priority Data**

Jan. 13, 2017 (ZA) A2017/00038

(51) **LOC (11) Cl.** **24-02**

(52) **U.S. Cl.**
USPC **D24/147; D24/140**

(58) **Field of Classification Search**
USPC D24/147, 146, 129, 140; 606/118; D8/8,
D8/98
CPC A61B 17/326; A61B 50/20; A61B 1/32
See application file for complete search history.

(56) **References Cited**

U.S. PATENT DOCUMENTS

- 2,296,594 A * 9/1942 Blais A61B 17/326
 606/118
 2,345,639 A * 4/1944 Tibone A61B 17/326
 606/118
 D139,459 S * 11/1944 Dentzler D19/37

* cited by examiner

Primary Examiner — Jeffrey D Asch

Assistant Examiner — Tracey J Bell

(74) *Attorney, Agent, or Firm* — The Webb Law Firm

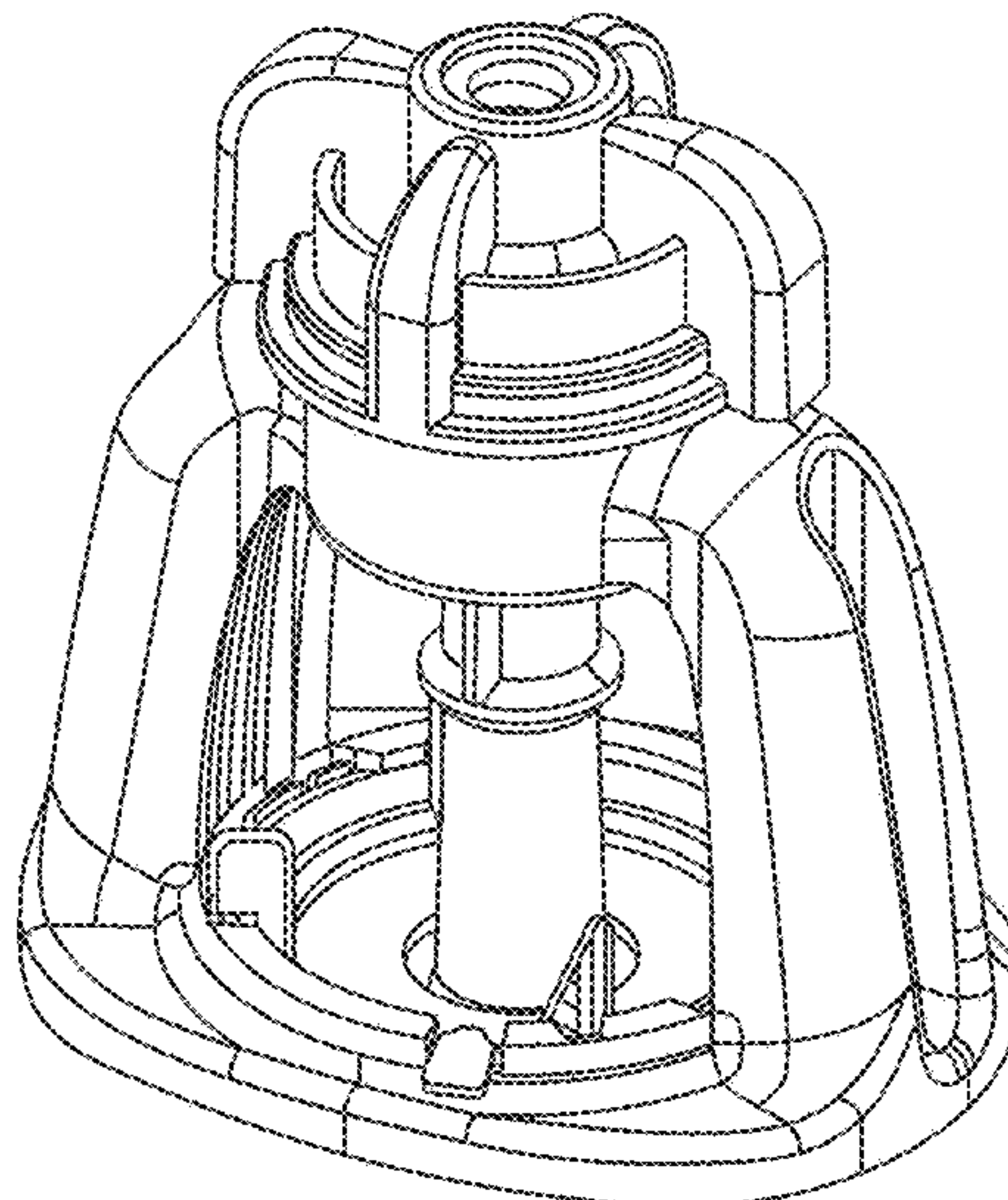
(57) **CLAIM**

The ornamental design for a circumcision device, as shown and described.

DESCRIPTION

FIG. 1 is an upper perspective view of a circumcision device showing our new design;
 FIG. 2 is a lower perspective view thereof;
 FIG. 3 is a front elevation view thereof;
 FIG. 4 is a rear elevation view thereof;
 FIG. 5 is a left side elevation view thereof;
 FIG. 6 is a right side elevation view thereof;
 FIG. 7 is a top view thereof;
 FIG. 8 is a bottom view thereof;
 FIG. 9 is a cross-sectional view thereof taken along lines 9-9 shown in FIG. 6; and,
 FIG. 10 is an exploded perspective view thereof.

1 Claim, 10 Drawing Sheets



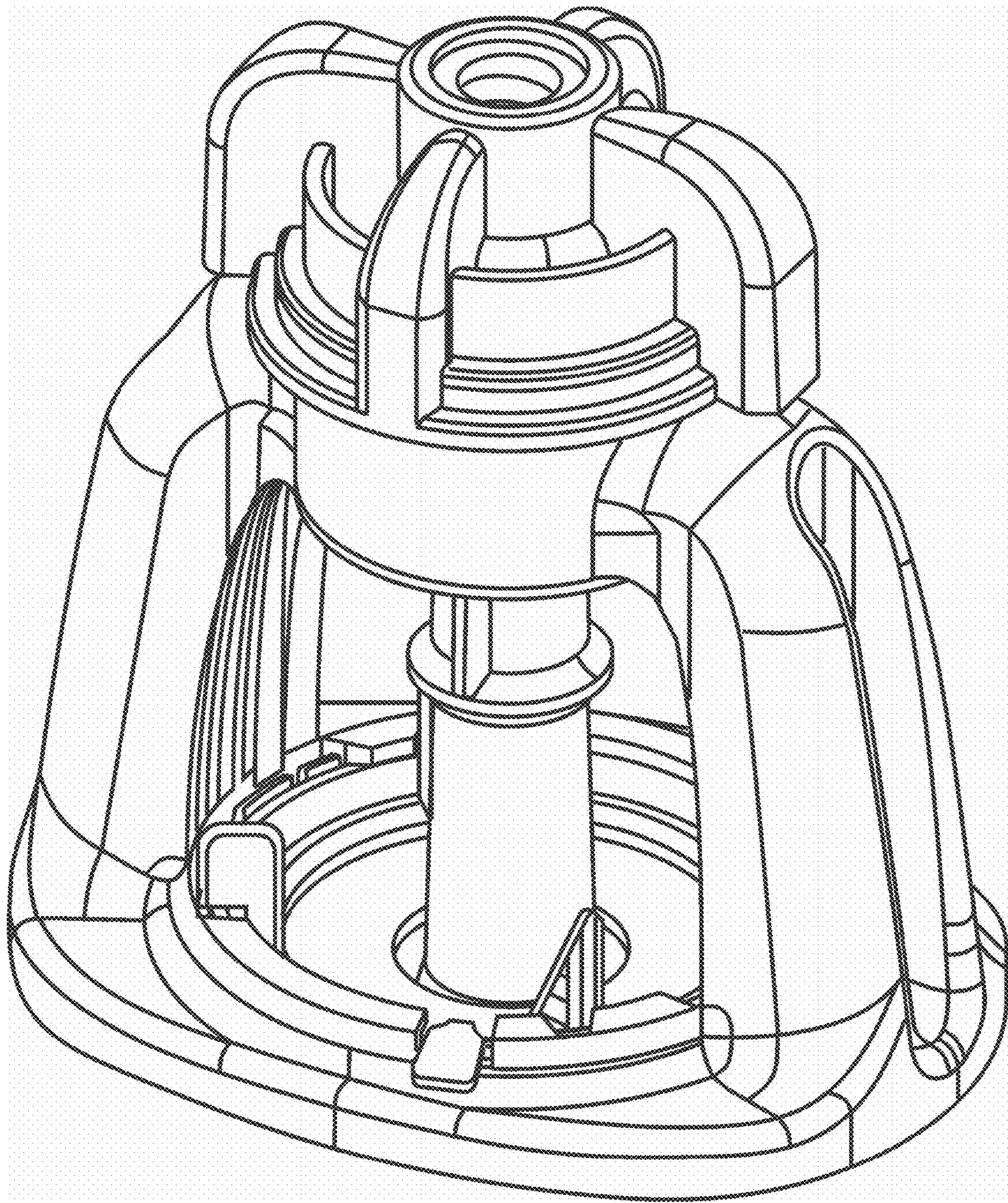


FIG. 1

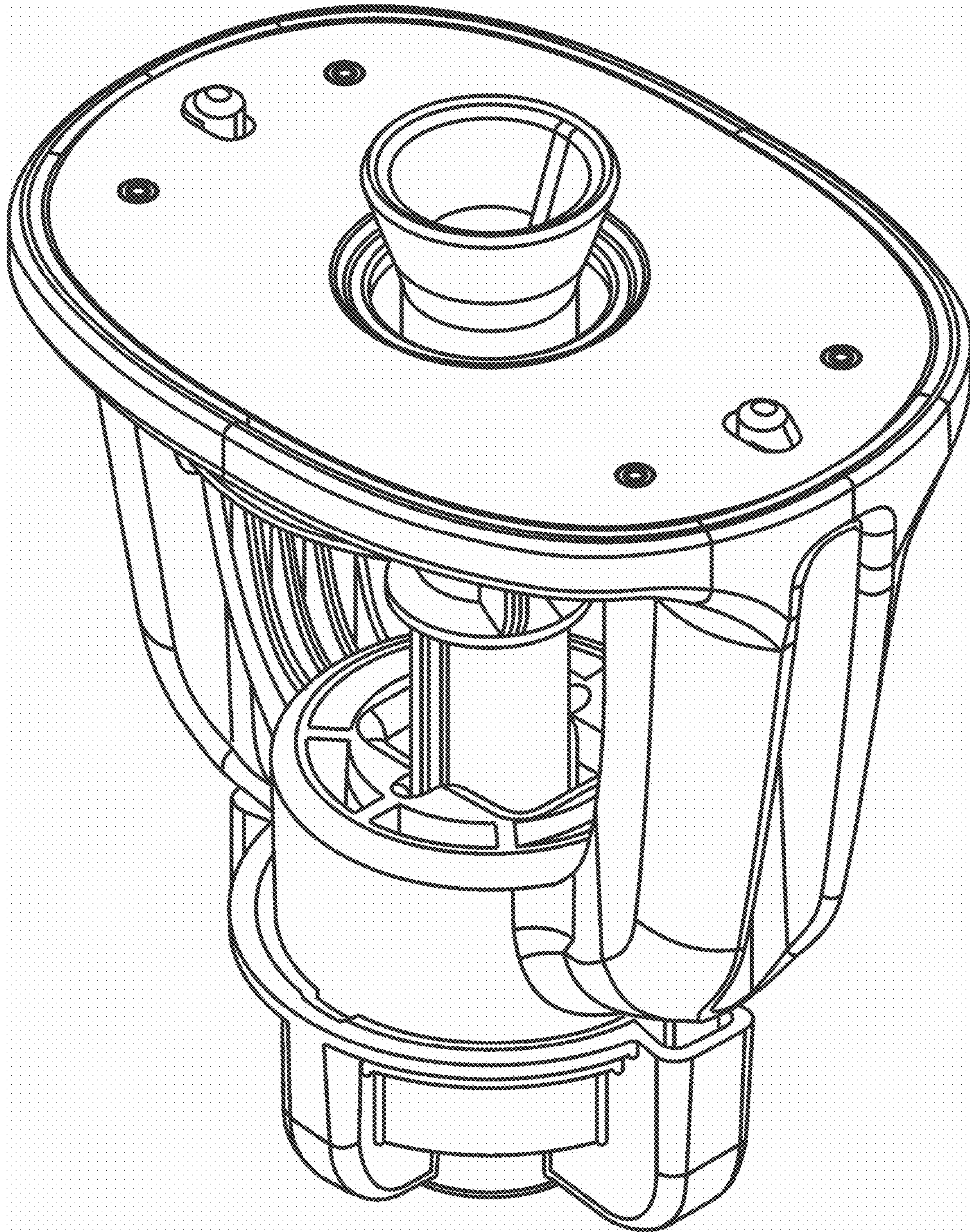


FIG. 2

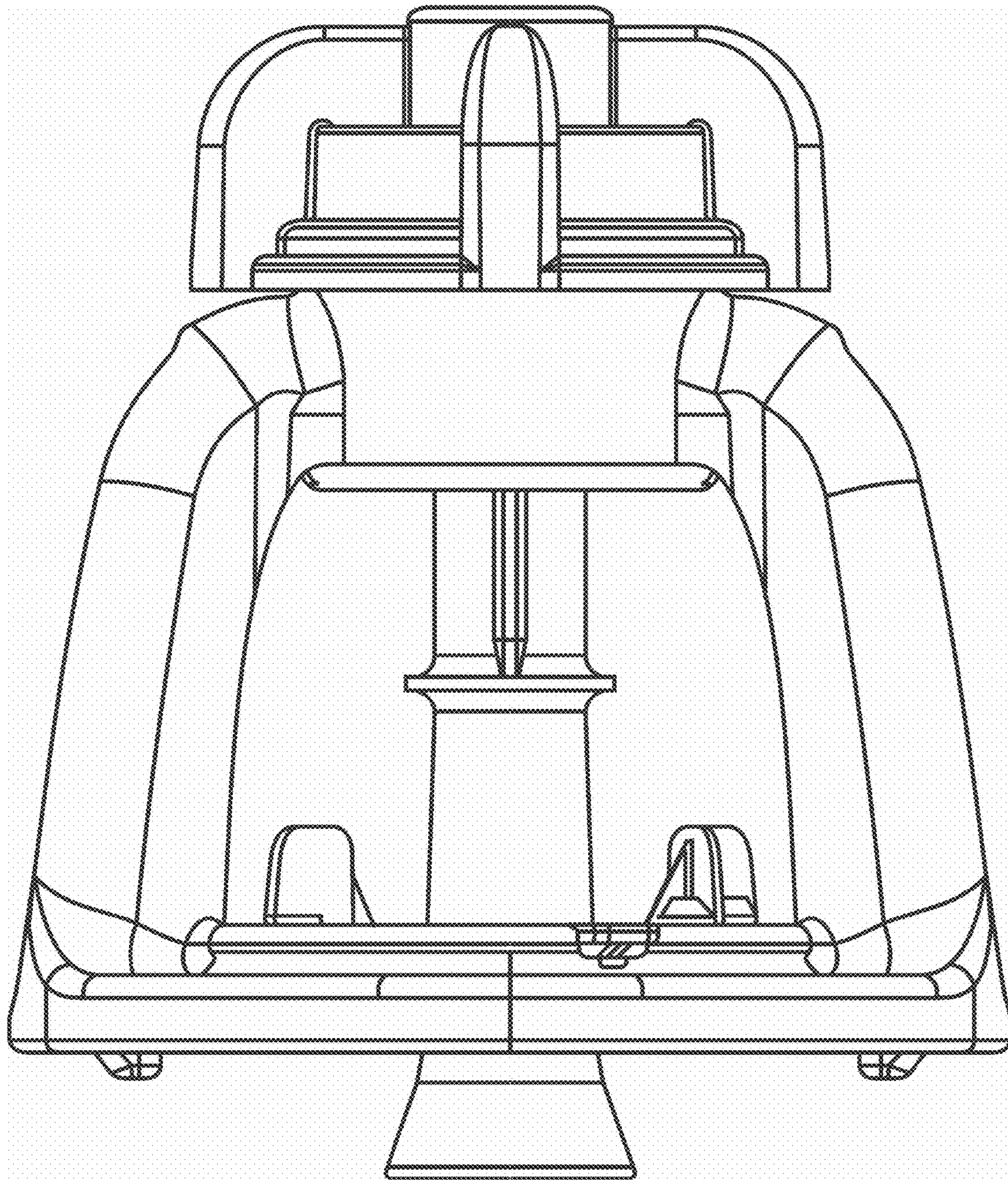


FIG. 3

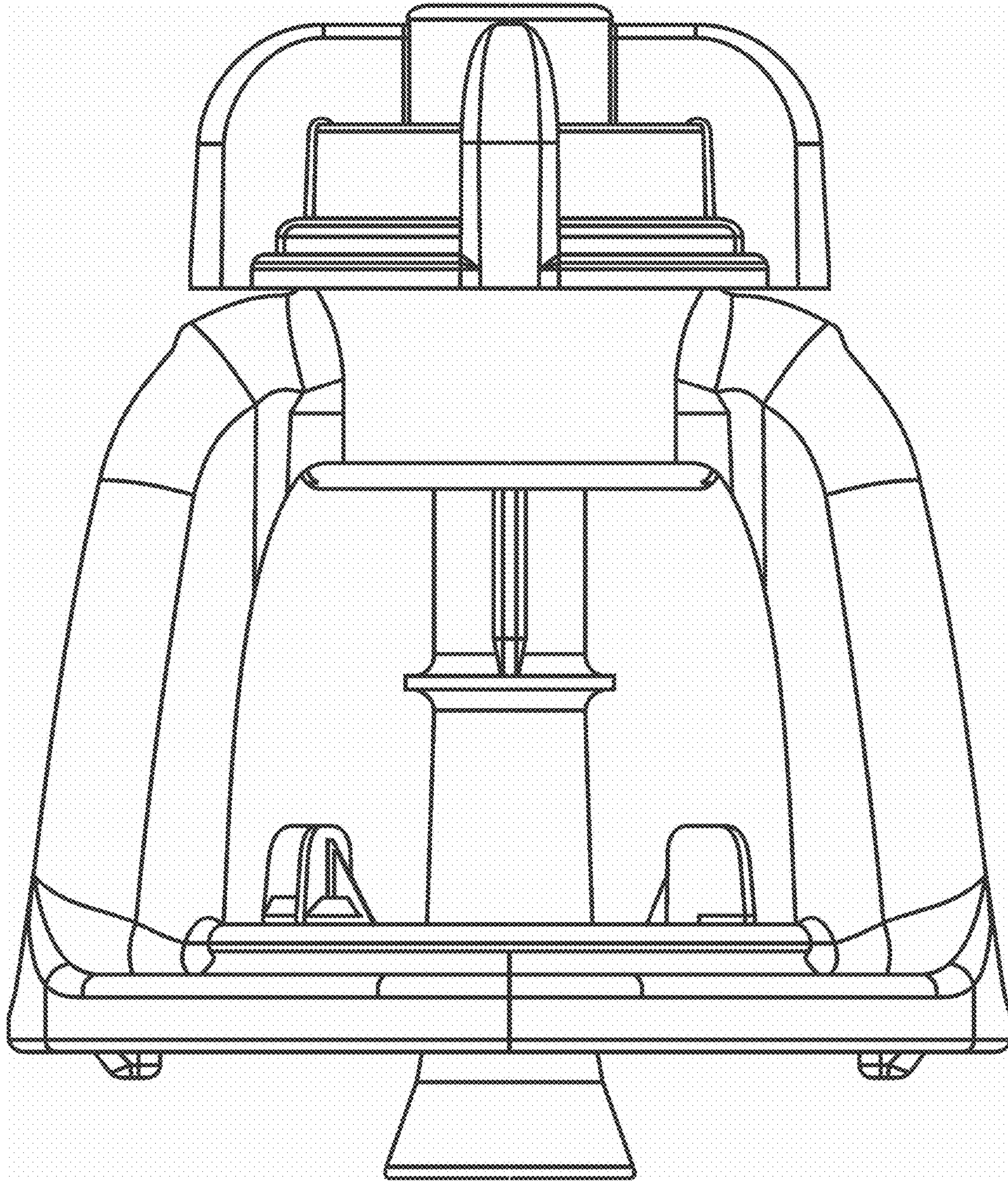


FIG. 4

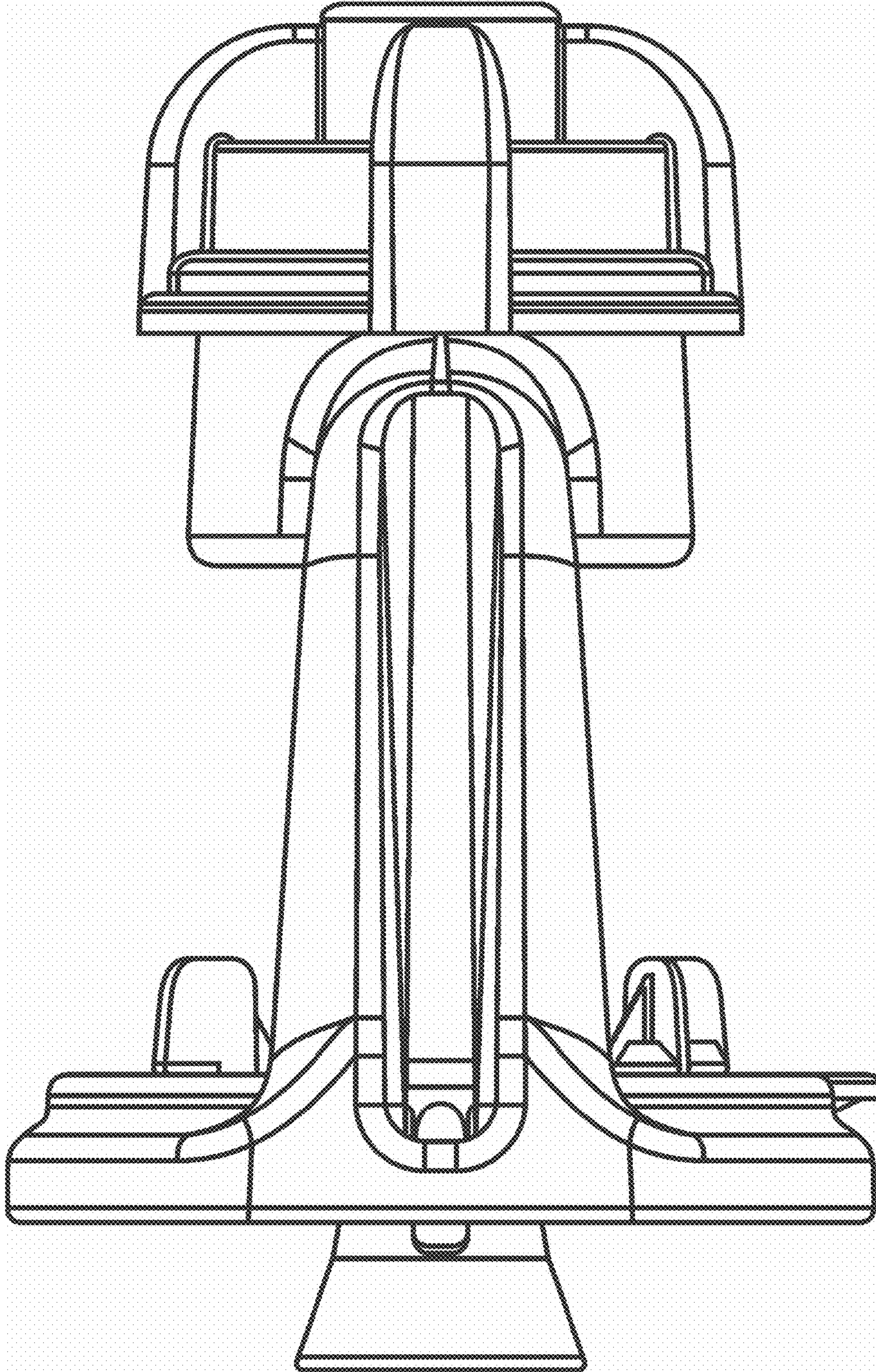


FIG. 5

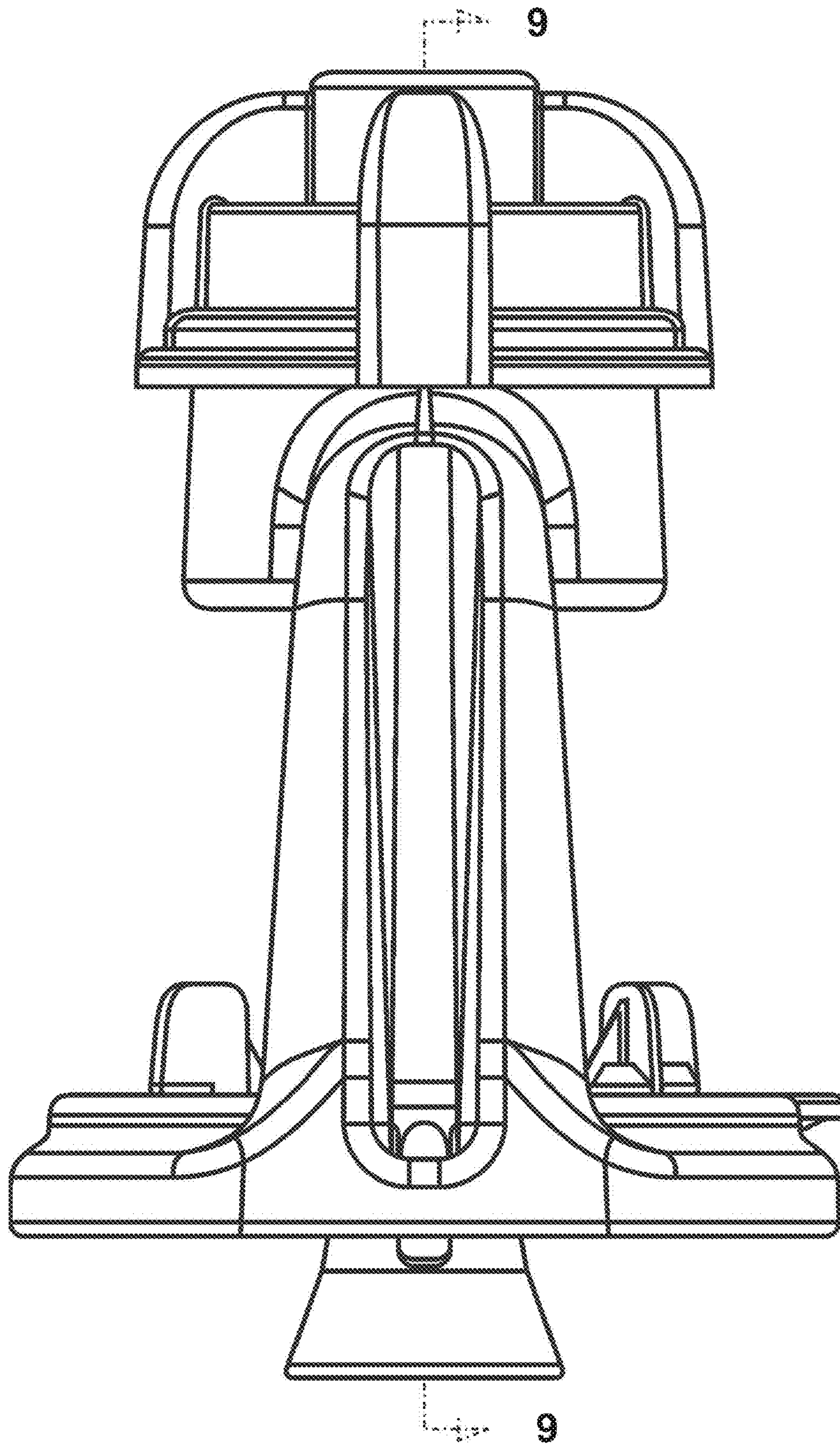


FIG. 6

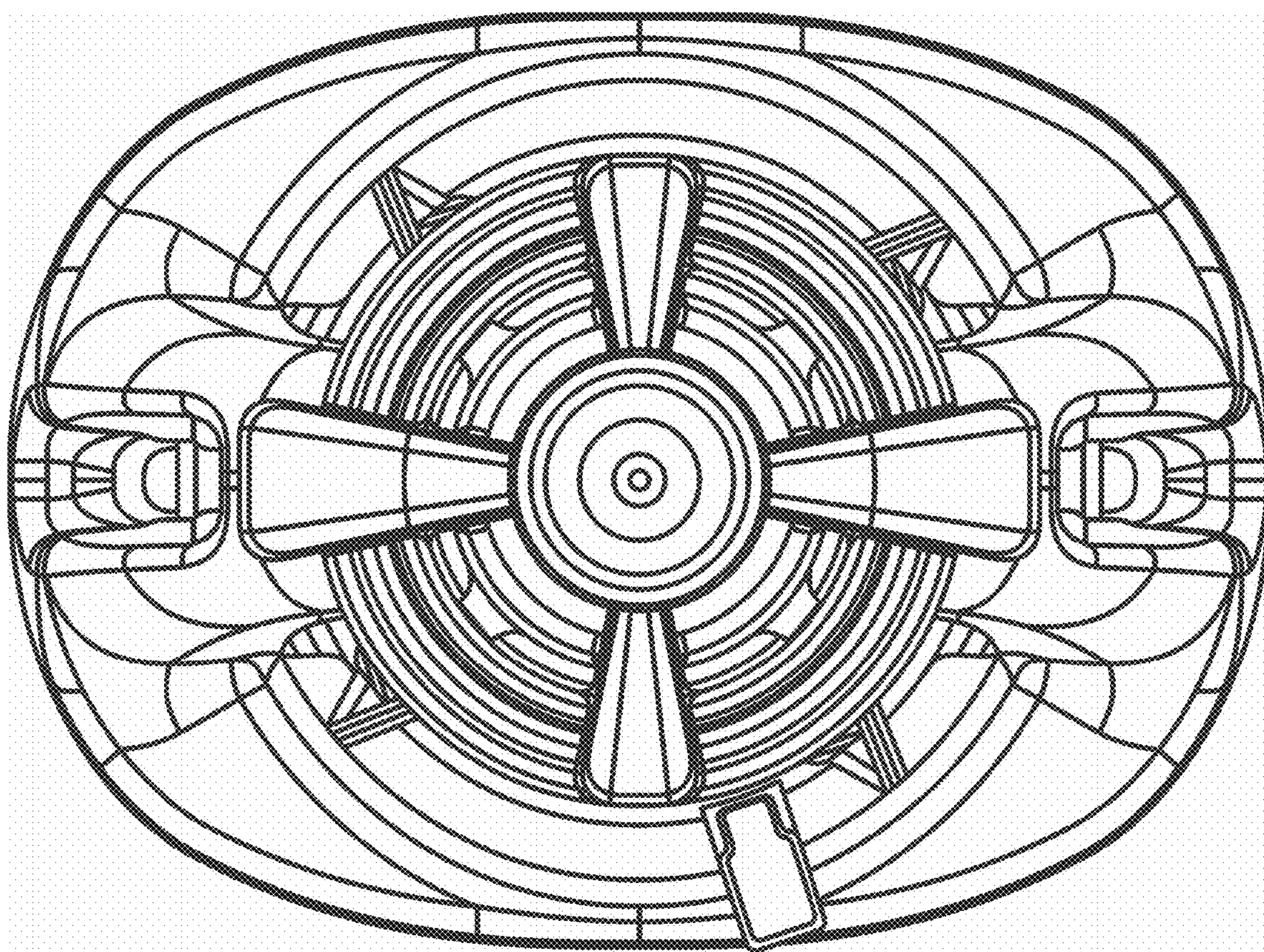


FIG. 7

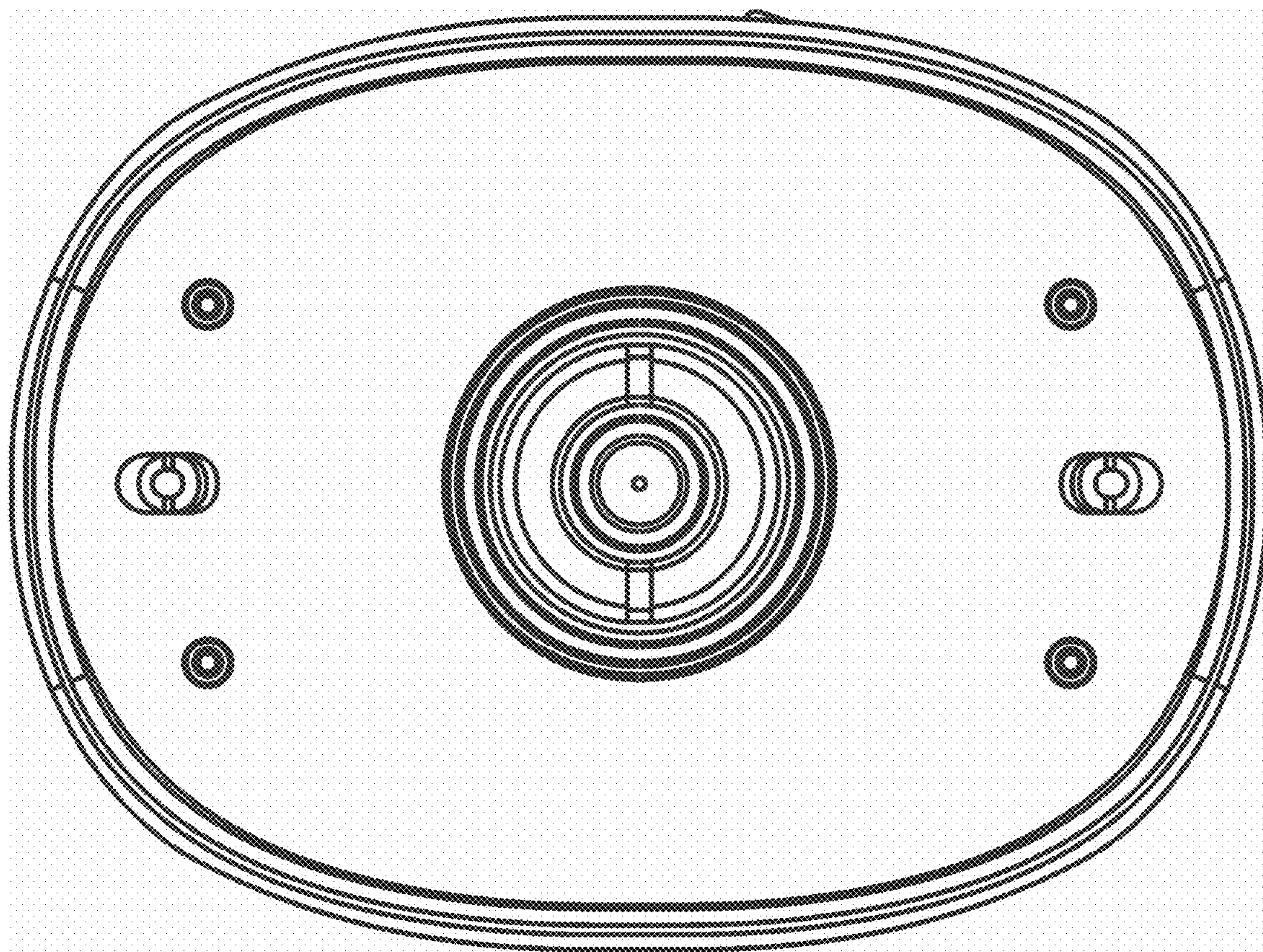


FIG. 8

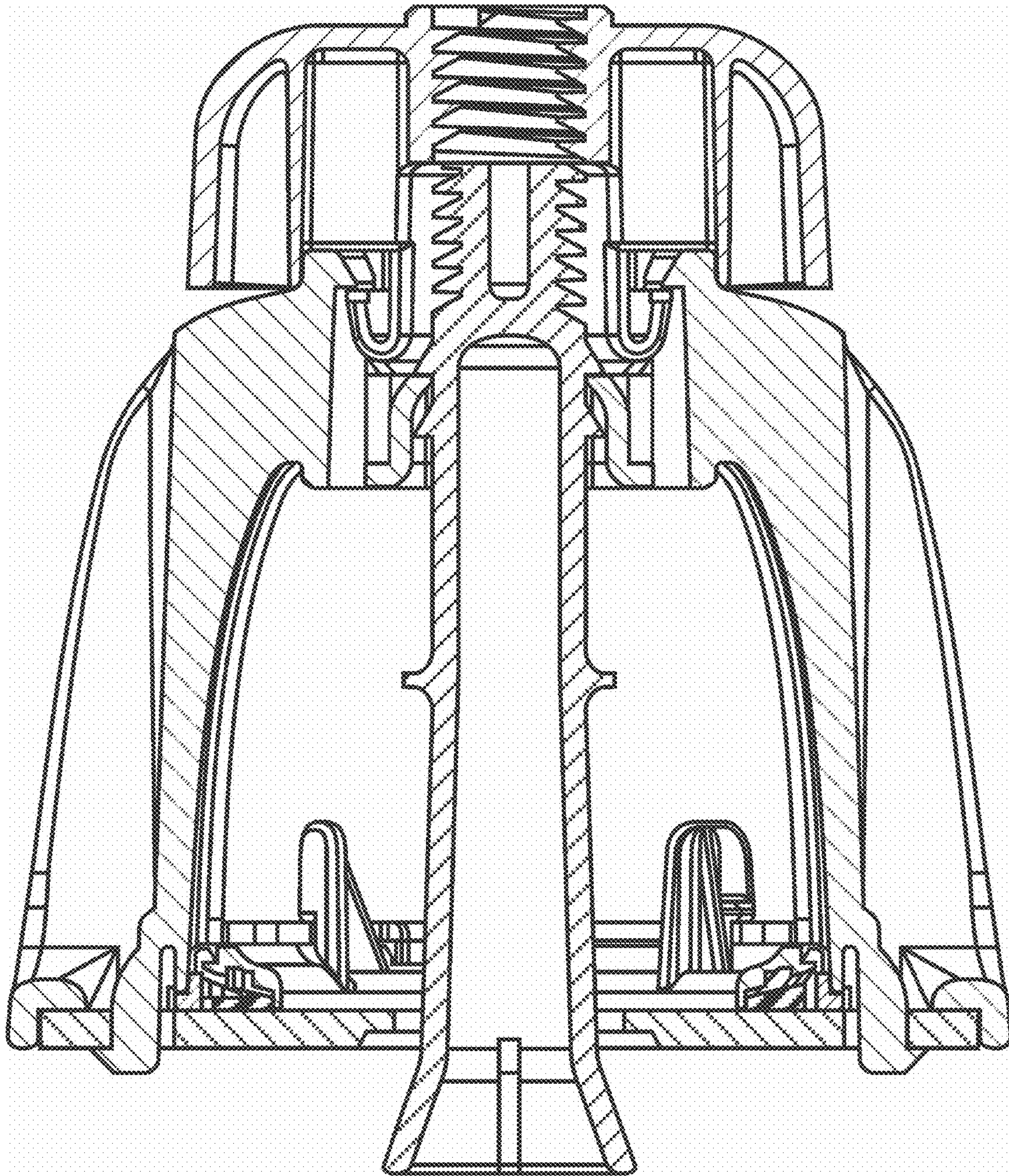


FIG. 9

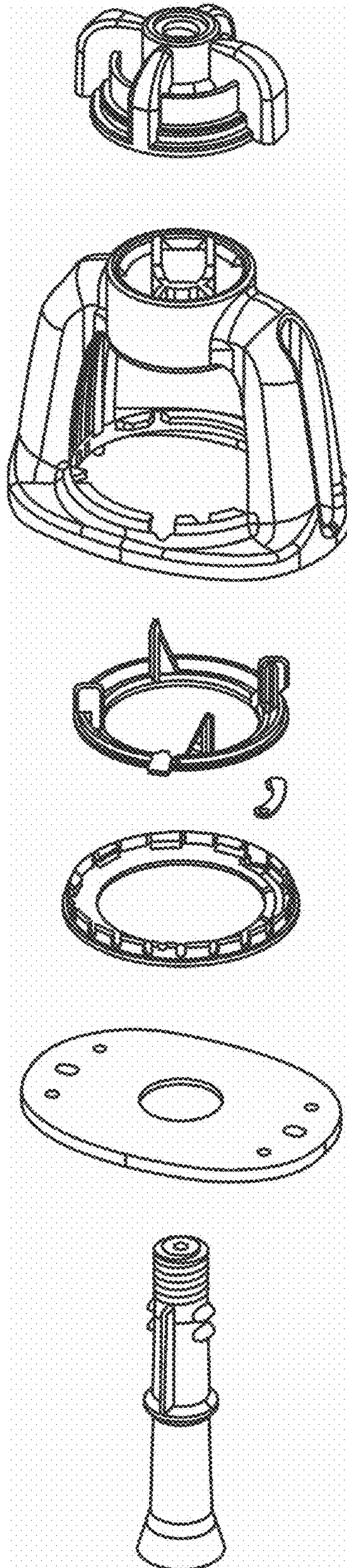


FIG. 10