



(12) **United States Design Patent** (10) **Patent No.:** **US D836,199 S**
Schowalter et al. (45) **Date of Patent:** **** Dec. 18, 2018**

(54) **END EFFECTOR FOR A SURGICAL STAPLER**

(71) Applicant: **ETHICON LLC**, Guaynabo, PR (US)

(72) Inventors: **Joseph P. Schowalter**, South Lebanon, OH (US); **Daniel L. Baber**, Cincinnati, OH (US); **Gregory J. Bakos**, Mason, OH (US); **Frederick E. Shelton, IV**, Hillsboro, OH (US); **Jason L. Harris**, Lebanon, OH (US)

(73) Assignee: **Ethicon LLC**, Guaynabo, PR (US)

(**) Term: **15 Years**

(21) Appl. No.: **29/594,340**

(22) Filed: **Feb. 17, 2017**

(51) **LOC (11) Cl.** **24-02**

(52) **U.S. Cl.**
USPC **D24/145**

(58) **Field of Classification Search**
USPC **D24/145-146**

(Continued)

(56) **References Cited**

U.S. PATENT DOCUMENTS

D348,930 S * 7/1994 Olson D24/145
5,397,324 A * 3/1995 Carroll A61B 17/07207
128/898

(Continued)

Primary Examiner — Wan Laymon

(74) *Attorney, Agent, or Firm* — Frost Brown Todd LLC

(57) **CLAIM**

The ornamental design for an end effector for a surgical stapler, as shown and described.

DESCRIPTION

FIG. 1 is a top perspective view of an end effector for a surgical stapler, shown in a closed position and showing our new design;

FIG. 2 is a top plan view of the end effector for a surgical stapler of FIG. 1;

FIG. 3 is a bottom plan view of the end effector for a surgical stapler of FIG. 1;

FIG. 4 is a first side elevational view of the end effector for a surgical stapler of FIG. 1;

FIG. 5 is a second side elevational view of the end effector for a surgical stapler of FIG. 1;

FIG. 6 is a front elevational view of the end effector for a surgical stapler of FIG. 1;

FIG. 7 is a rear elevational view of the end effector for a surgical stapler of FIG. 1;

FIG. 8 is a top perspective view of the end effector for a surgical stapler of FIG. 1, shown in an open position;

FIG. 9 is a bottom perspective view of the end effector for a surgical stapler of FIG. 8;

FIG. 10 is a top plan view of the end effector for a surgical stapler of FIG. 8;

FIG. 11 is a bottom plan view of the end effector for a surgical stapler of FIG. 8;

FIG. 12 is a first side elevational view of the end effector for a surgical stapler of FIG. 8;

FIG. 13 is a second side elevational view of the end effector for a surgical stapler of FIG. 8;

FIG. 14 is a front elevational view of the end effector for a surgical stapler of FIG. 8;

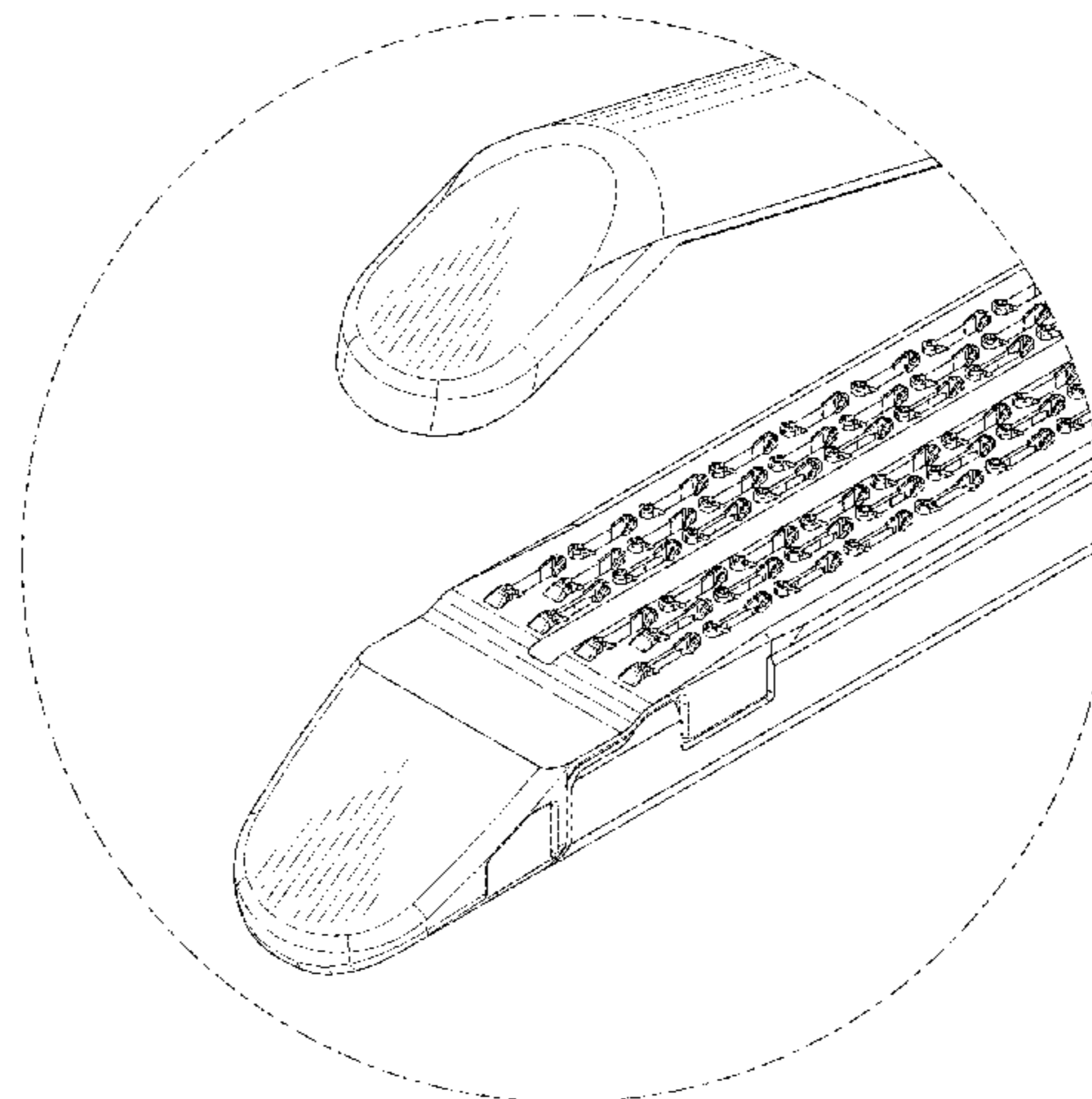
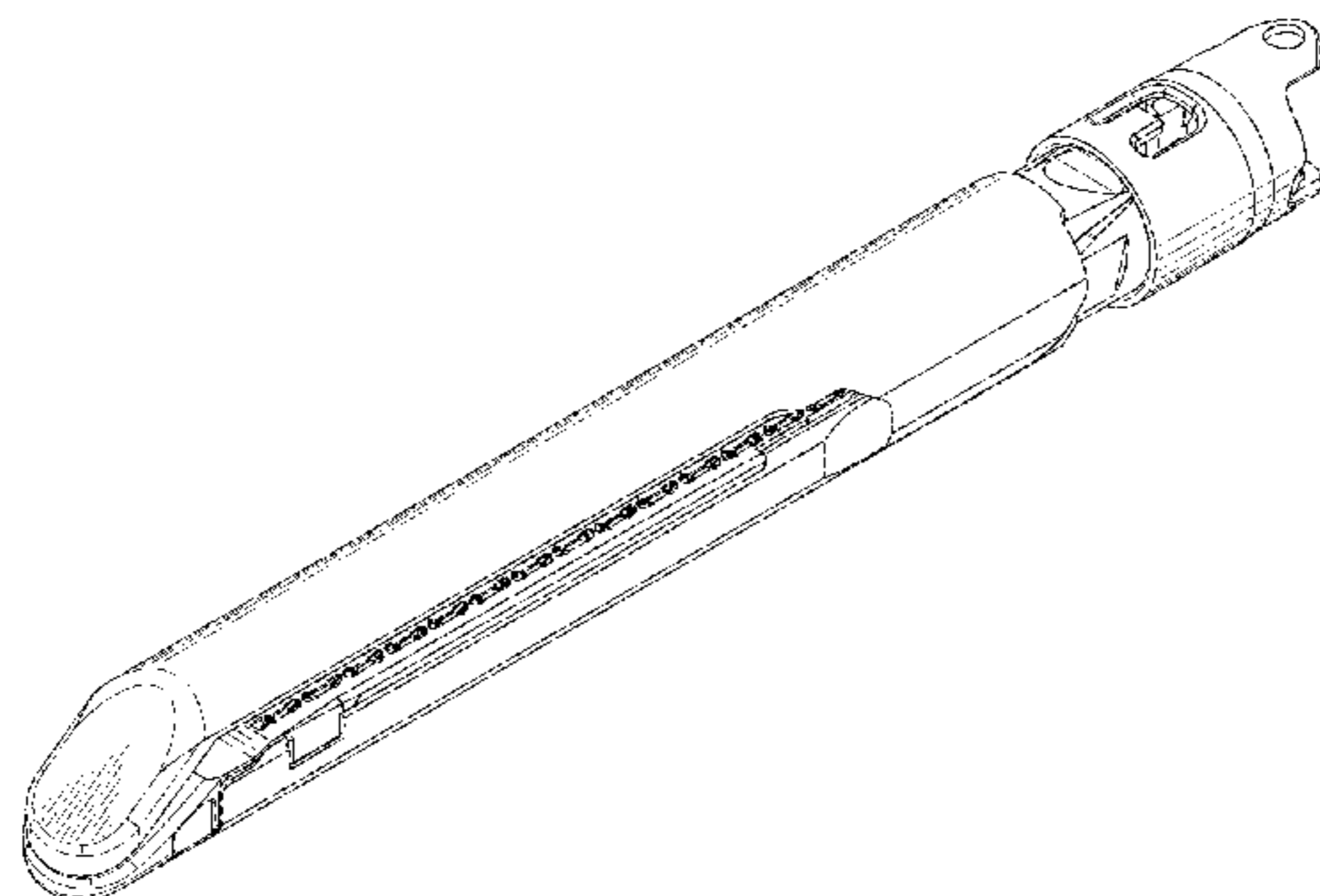
FIG. 15 is a rear elevational view of the end effector for a surgical stapler of FIG. 8;

FIG. 16 is an enlarged top perspective view of a portion of the end effector for a surgical stapler of FIG. 8; and,

FIG. 17 is an enlarged bottom perspective view of a portion of the end effector for a surgical stapler of FIG. 9.

The evenly-spaced broken lines in the drawings are included for purpose of illustrating portions of the end effector for a surgical stapler that form no part of the claimed design. The dash-dot-dash broken lines in the drawings are included for the purpose of illustrating the portions of the end effector for a surgical stapler shown in the enlarged views.

1 Claim, 11 Drawing Sheets



(58) **Field of Classification Search**

CPC A61B 17/068; A61B 17/0684; A61B
17/0686; A61B 17/0644; A61B 17/00234;
A61B 17/07207; A61B 17/105; A61B
17/32; A61B 17/1285; A61B 2017/07214;
A61B 2017/07257

See application file for complete search history.

(56) **References Cited**

U.S. PATENT DOCUMENTS

8,066,166 B2 * 11/2011 Demmy A61B 17/068
227/175.1
8,714,429 B2 * 5/2014 Demmy A61B 17/068
227/176.1
9,039,736 B2 * 5/2015 Scirica A61B 17/068
606/219
9,522,004 B2 * 12/2016 Demmy A61B 17/068
9,597,078 B2 * 3/2017 Scirica A61B 17/07207
2004/0243151 A1 * 12/2004 Demmy A61B 17/068
606/139
2015/0173752 A1 * 6/2015 Demmy A61B 17/068
227/175.1
2016/0278777 A1 * 9/2016 Shelton, IV A61B 17/068
2017/0231633 A1 * 8/2017 Marczyk A61B 17/068
227/175.2
2017/0303952 A1 * 10/2017 Nativ A61B 17/068

* cited by examiner

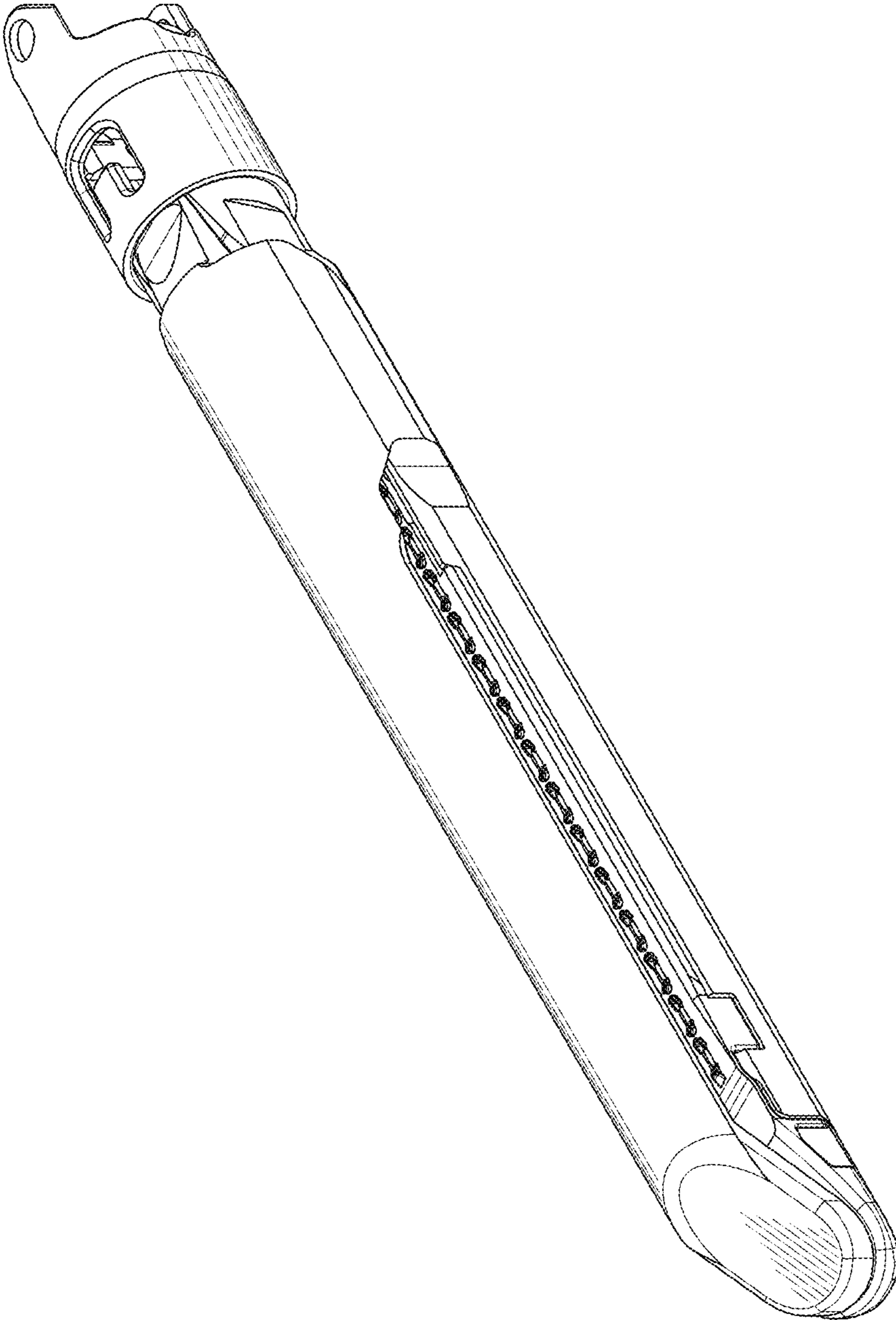


FIG. 1

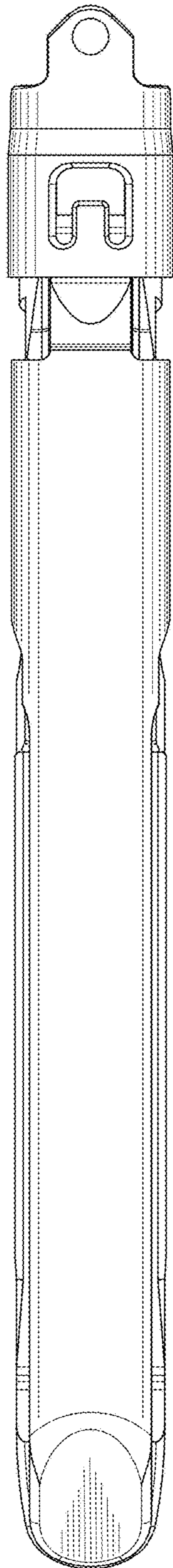


FIG. 2

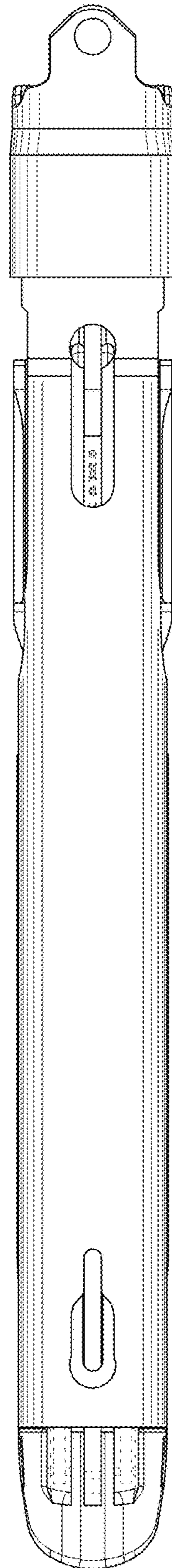


FIG. 3

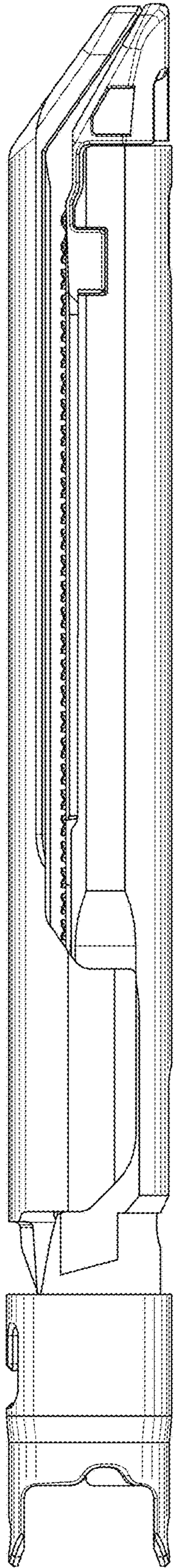


FIG. 4

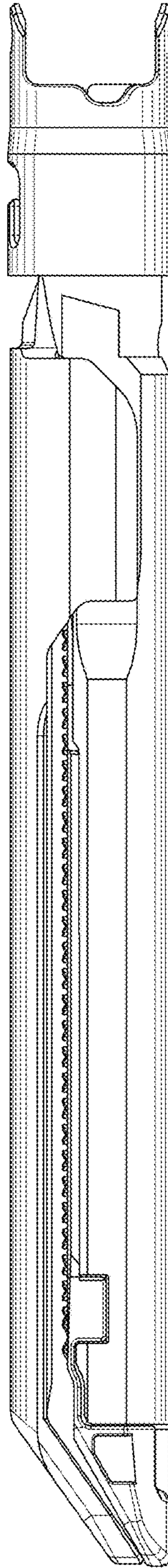


FIG. 5

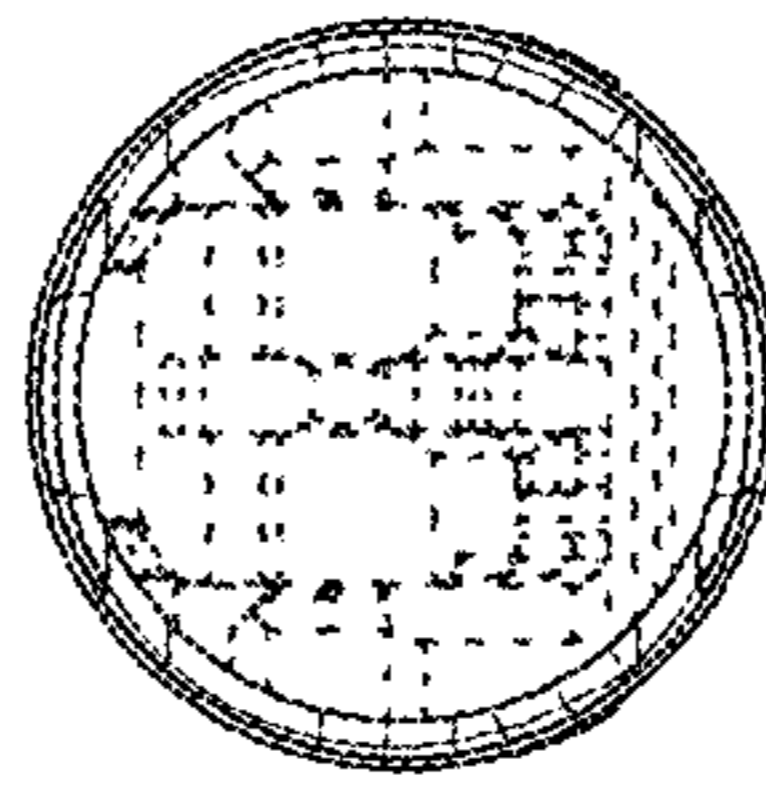


FIG. 7

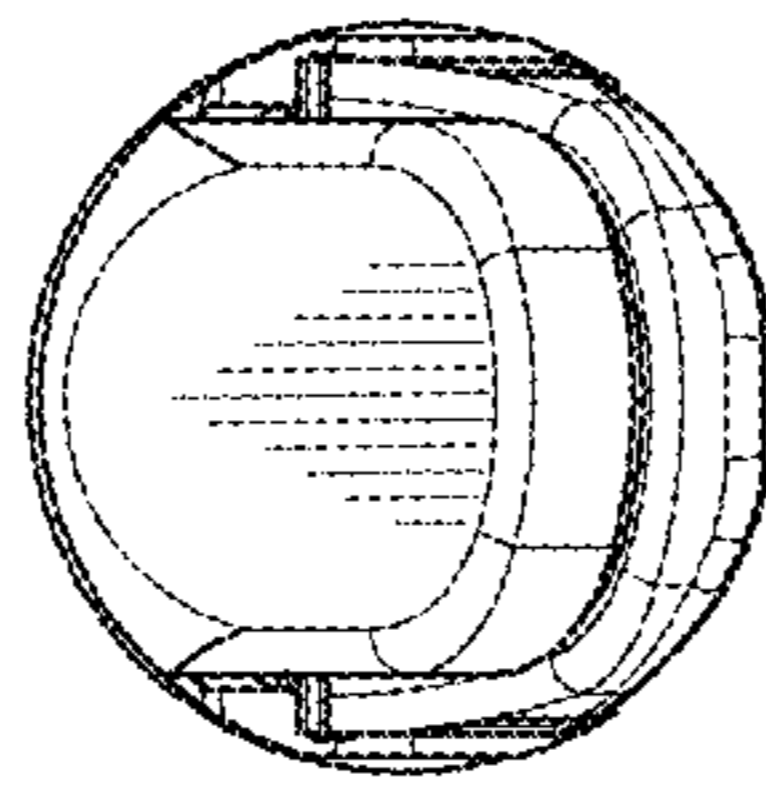


FIG. 6

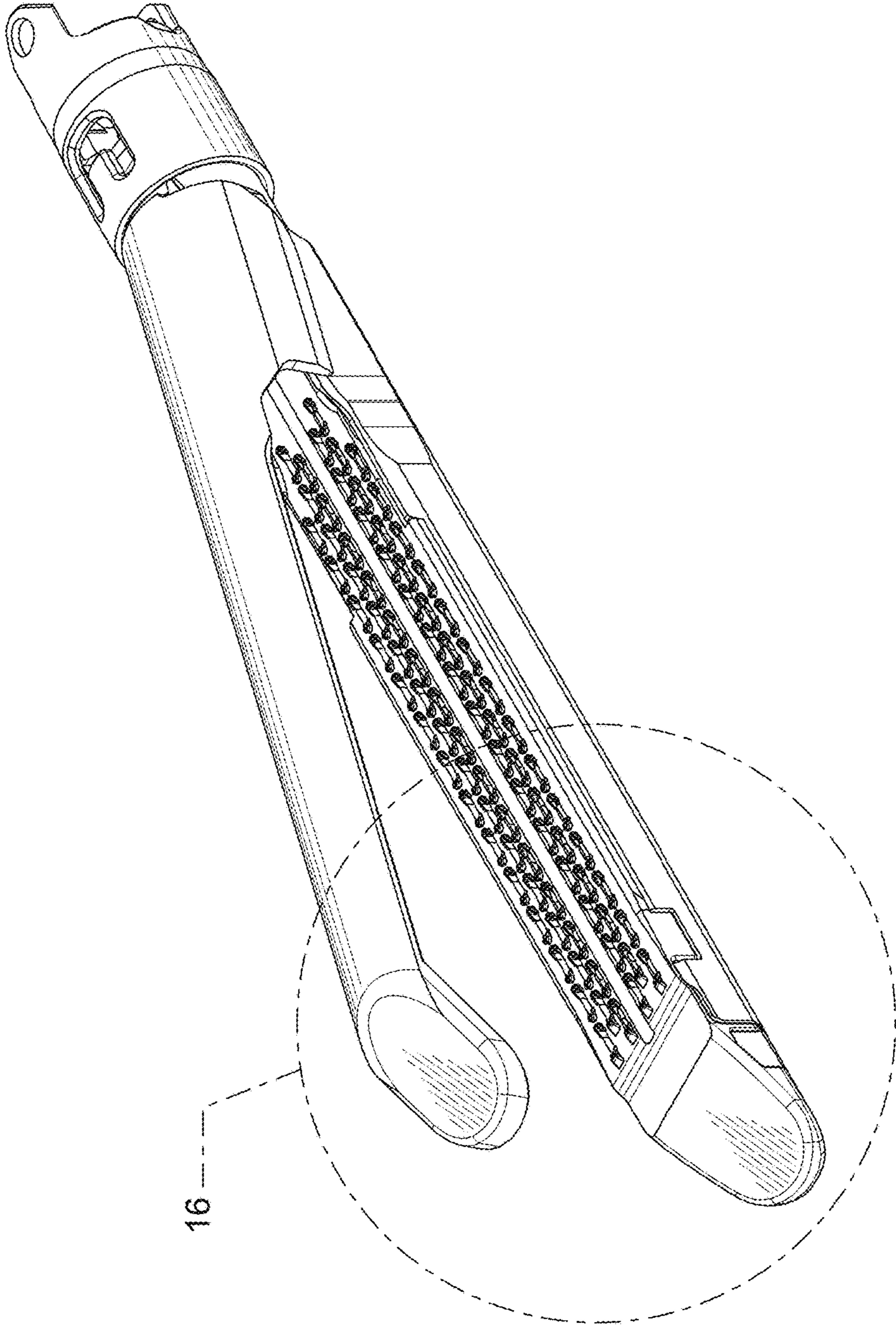


FIG. 8

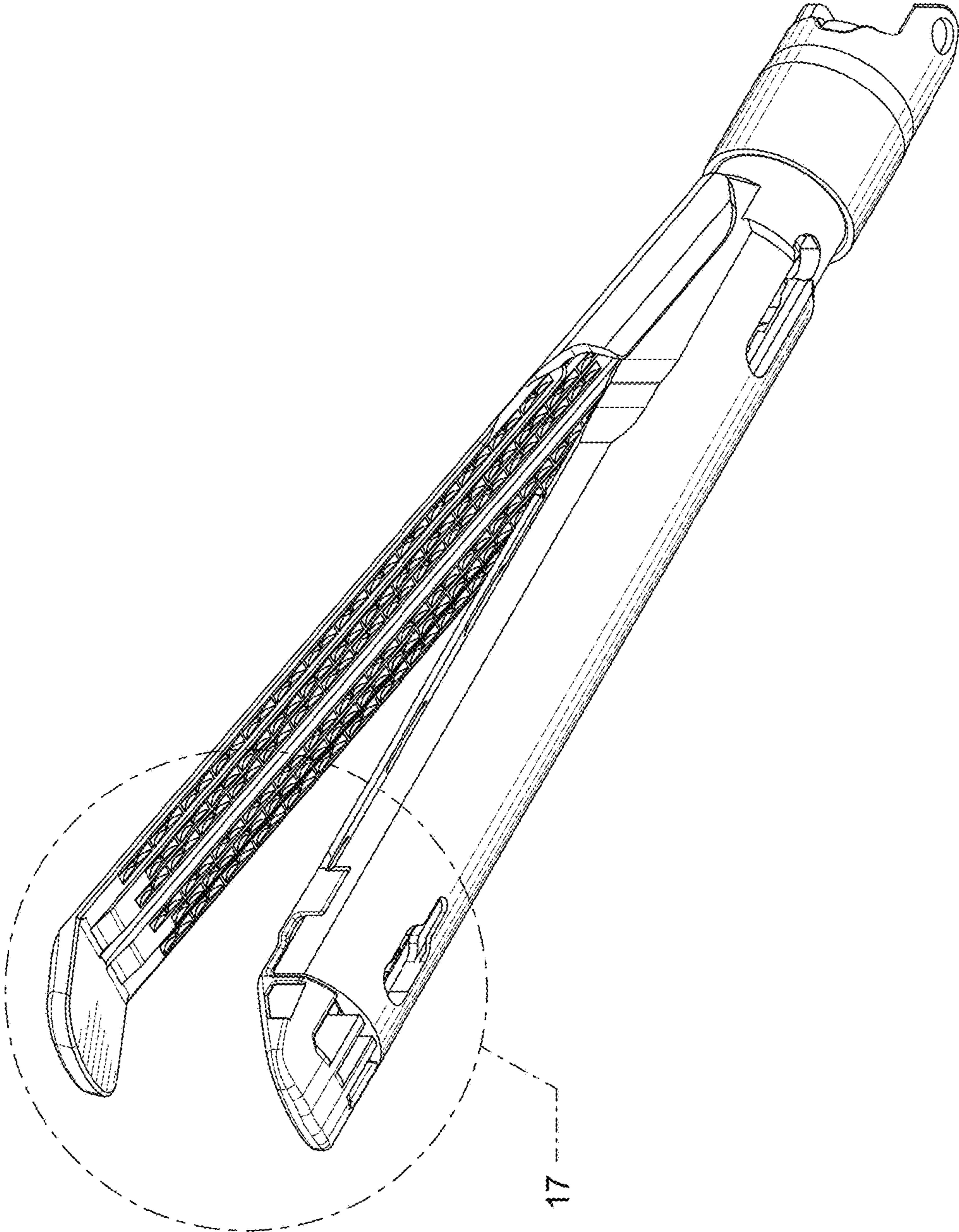


FIG. 9

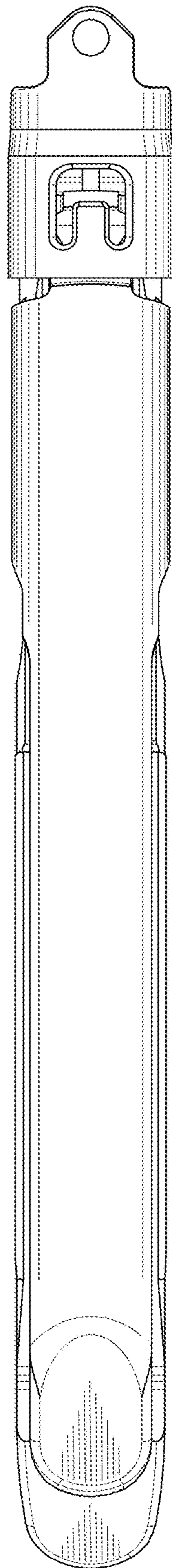


FIG. 10

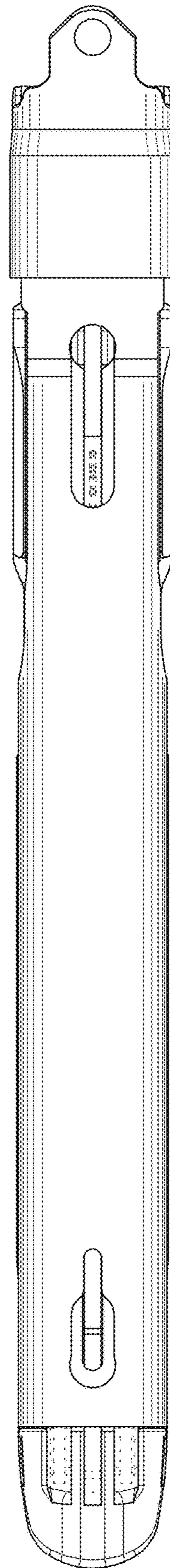


FIG. 11

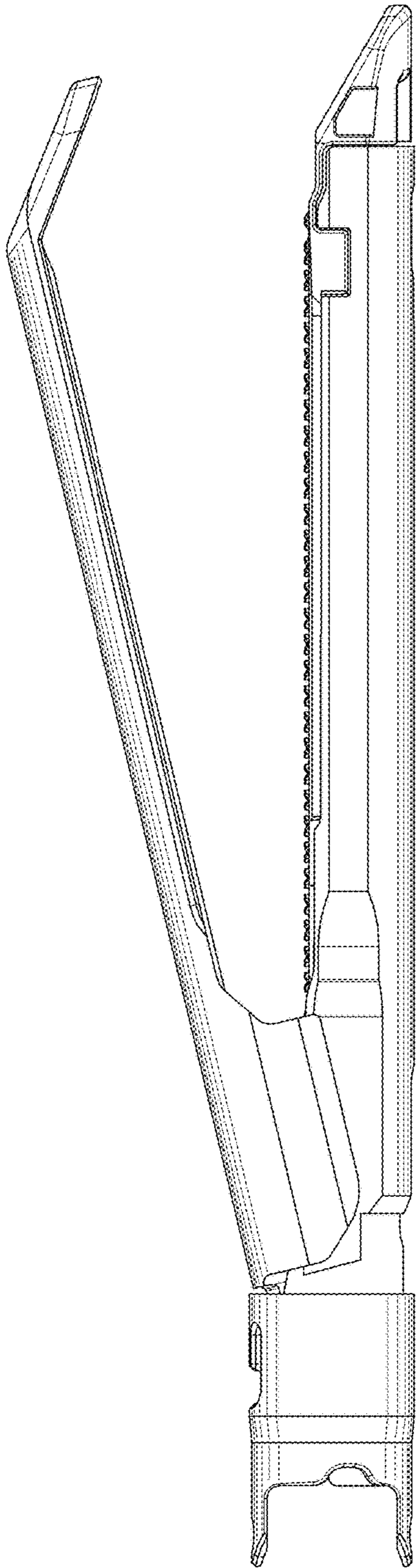


FIG. 12

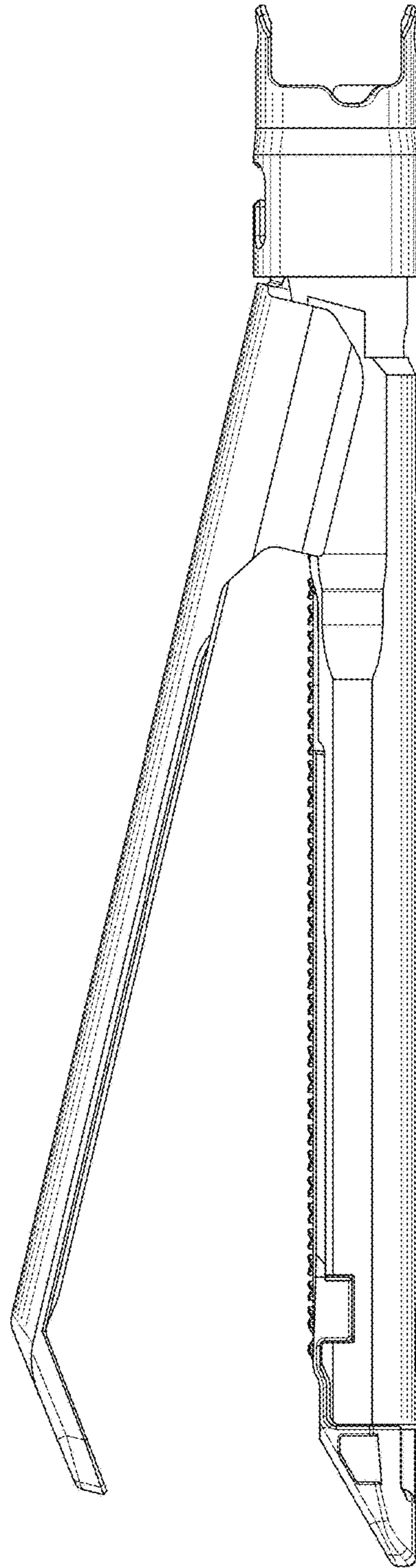


FIG. 13

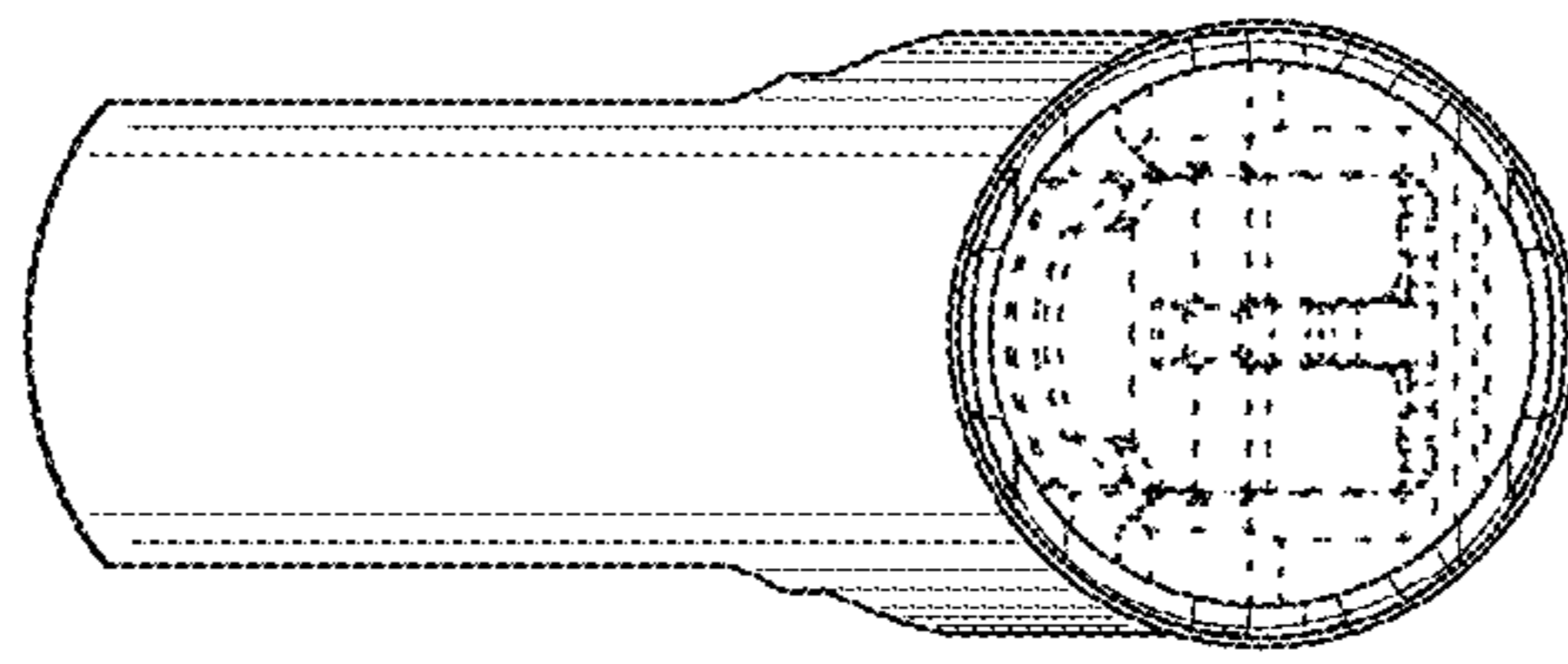


FIG. 15

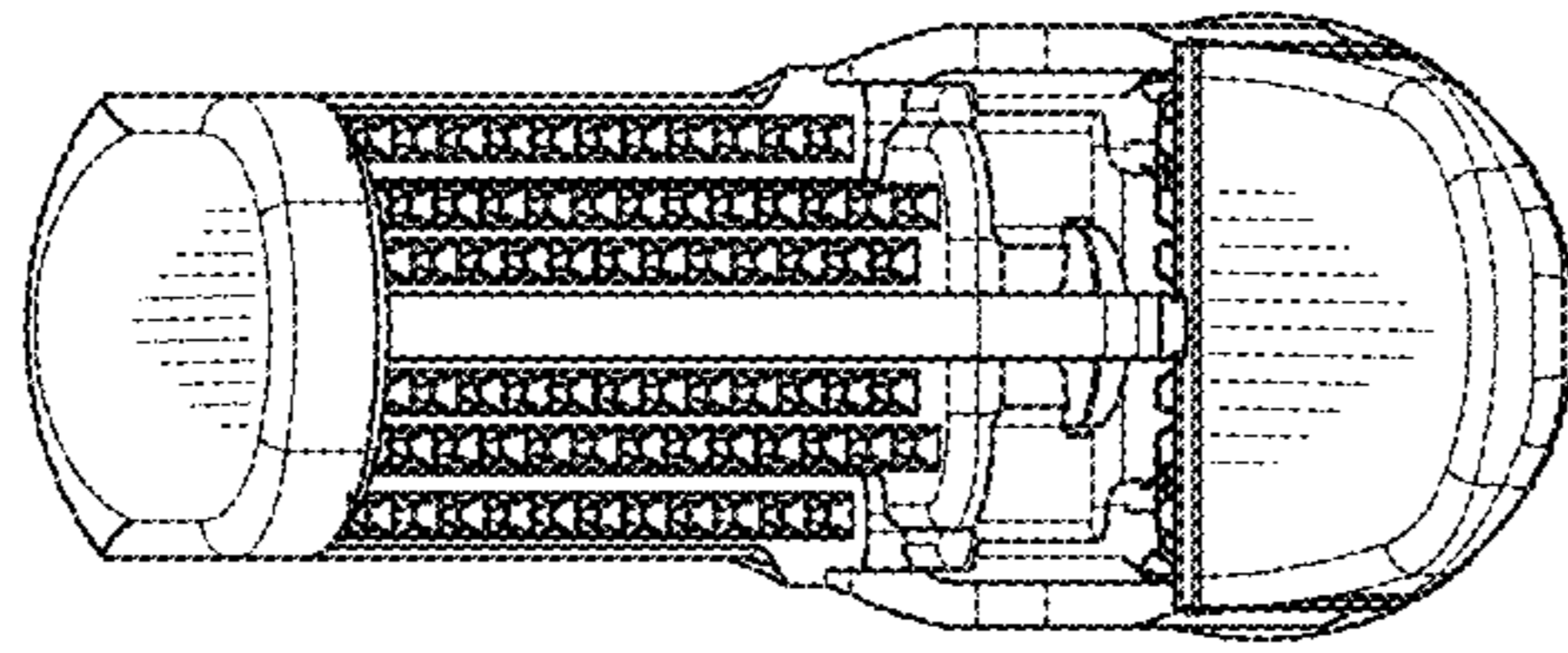


FIG. 14

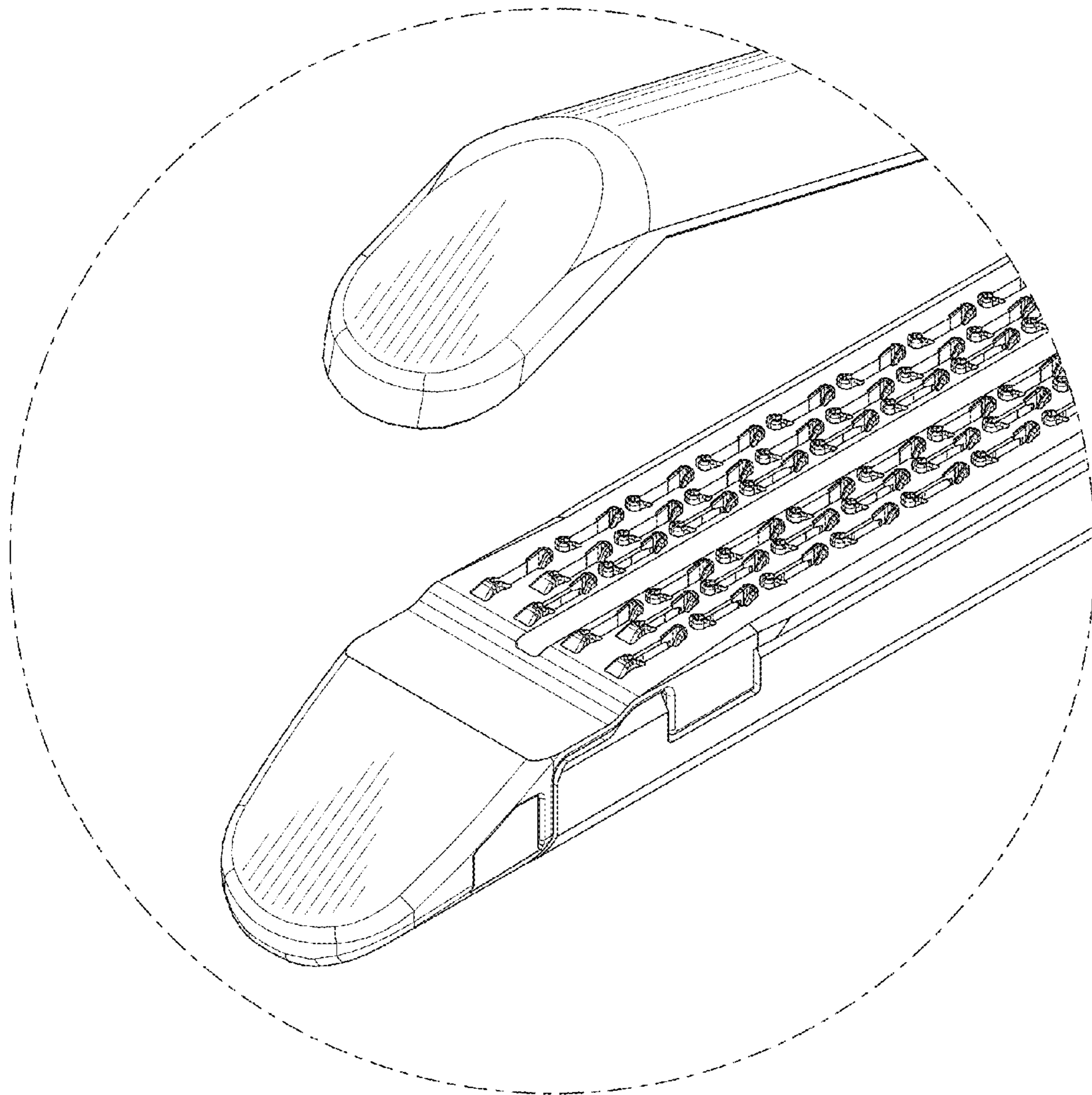


FIG. 16

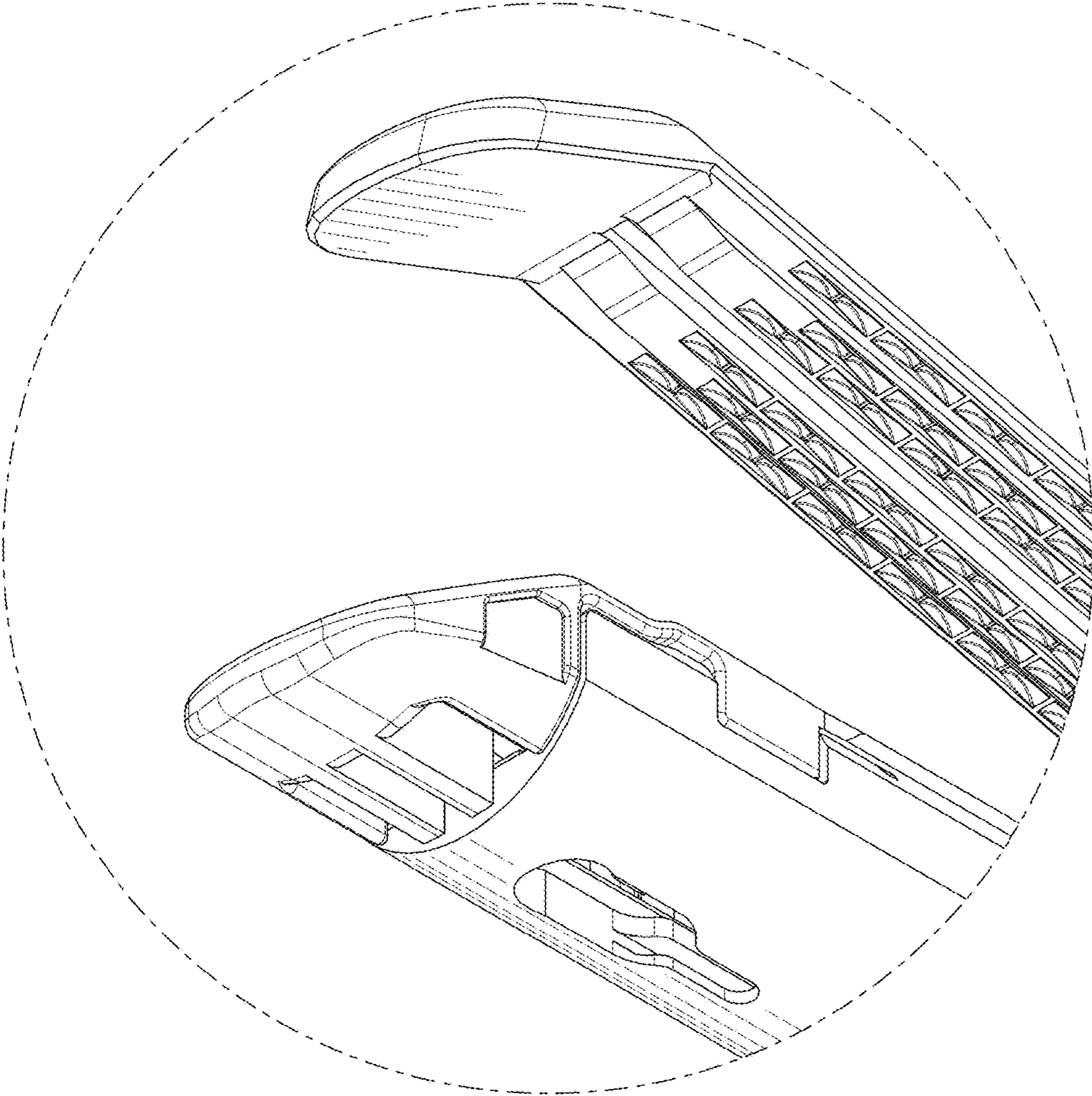


FIG. 17