



US00D836198S

(12) **United States Design Patent**
Harris et al.

(10) **Patent No.:** **US D836,198 S**
(45) **Date of Patent:** **** Dec. 18, 2018**

(54) **STAPLE CARTRIDGE FOR A SURGICAL STAPLER**

(71) Applicant: **ETHICON LLC**, Guaynabo, PR (US)

(72) Inventors: **Jason L. Harris**, Lebanon, OH (US);
Gregory J. Bakos, Mason, OH (US);
Frederick E. Shelton, IV, Hillsboro, OH (US)

(73) Assignee: **Ethicon LLC**, Guaynabo, PR (US)

(**) Term: **15 Years**

(21) Appl. No.: **29/594,332**

(22) Filed: **Feb. 17, 2017**

(51) **LOC (11) Cl.** **24-02**

(52) **U.S. Cl.**
USPC **D24/145**

(58) **Field of Classification Search**
USPC D24/145
CPC . A61B 17/105; A61B 17/068; A61B 17/0682;
A61B 17/064; A61B 17/072; A61B
17/07207; A61B 2017/04271; A61B
2017/07278; A61B 2017/07228; A61B
2017/07235; A61B 2017/07242; A61B
2017/07285; A61B 2017/07292
See application file for complete search history.

(56) **References Cited**

U.S. PATENT DOCUMENTS

| | | | | |
|----------------|--------|---------|-------|----------------------------|
| D297,764 S * | 9/1988 | Hunt | | D24/145 |
| D337,640 S * | 7/1993 | Olson | | D24/145 |
| 7,398,907 B2 * | 7/2008 | Racenet | | A61B 17/068 227/176.1 |
| 7,641,091 B2 * | 1/2010 | Olson | | A61B 17/07207 227/175.1 |
| 8,127,976 B2 * | 3/2012 | Scirica | | A61B 17/07207 227/176.1 |

(Continued)

Primary Examiner — Wan Laymon

(74) *Attorney, Agent, or Firm* — Frost Brown Todd LLC

(57) **CLAIM**

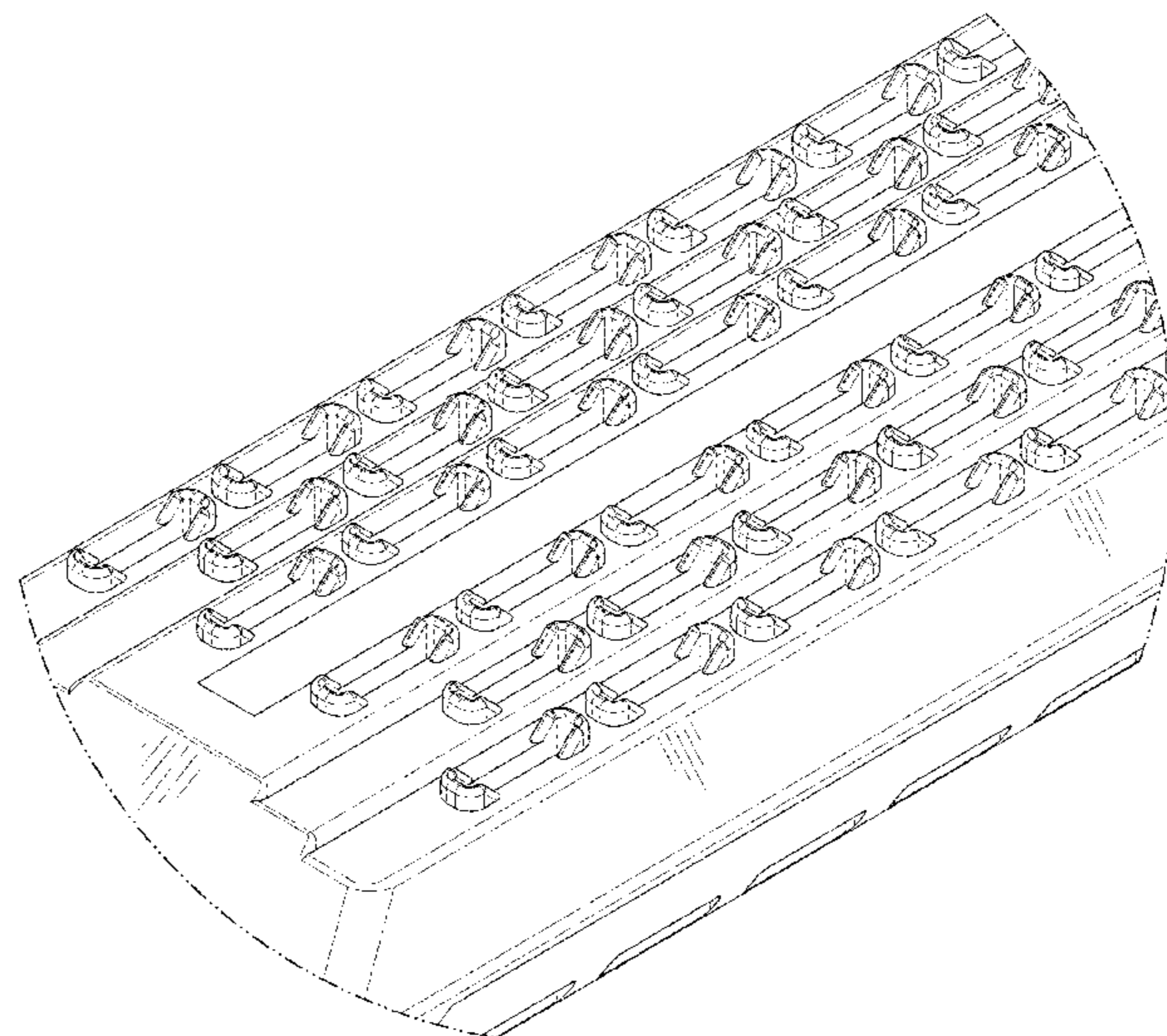
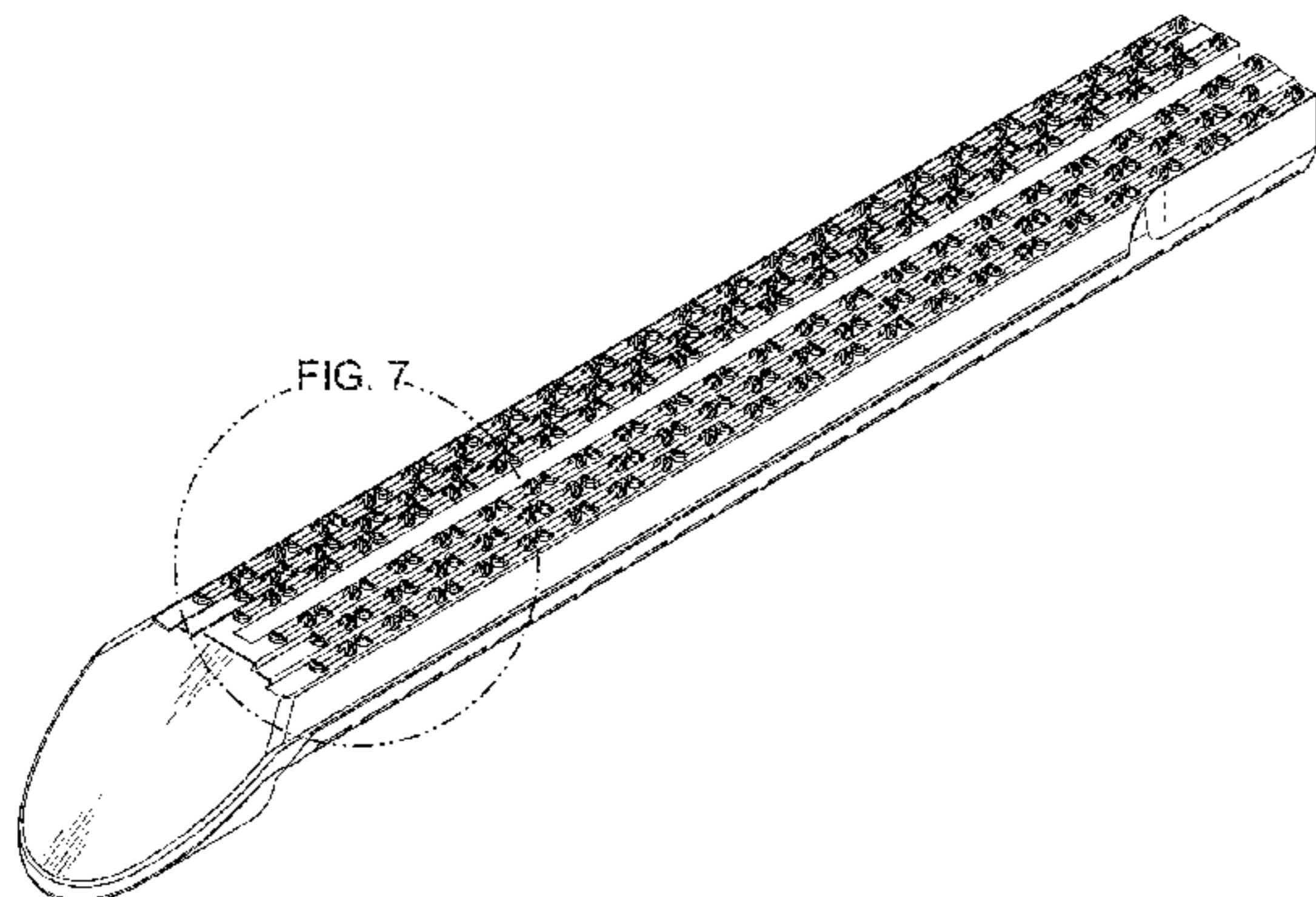
The ornamental design for a staple cartridge for surgical stapler, as shown and described.

DESCRIPTION

FIG. 1 is a top perspective view of a staple cartridge for a surgical stapler, showing our new design;
 FIG. 2 is a side elevational view of the staple cartridge for a surgical stapler of FIG. 1, the opposite side elevation view being a mirror image thereof;
 FIG. 3 is a top plan view of the staple cartridge for a surgical stapler of FIG. 1;
 FIG. 4 is a bottom plan view of the staple cartridge for a surgical stapler of FIG. 1;
 FIG. 5 is a front elevational view of the staple cartridge for a surgical stapler of FIG. 1;
 FIG. 6 is a rear elevational view of the staple cartridge for a surgical stapler of FIG. 1;
 FIG. 7 is an enlarged top perspective view of a portion of the staple cartridge for a surgical stapler of FIG. 1;
 FIG. 8 is an enlarged top plan view of a portion of the staple cartridge for a surgical stapler of FIG. 1, the portion being indicated by the broken line circle in FIG. 3;
 FIG. 9 is an enlarged side elevational view of a portion of the staple cartridge for a surgical stapler of FIG. 1, the portion being indicated by the broken line circle in FIG. 2;
 FIG. 10 is an enlarged cross-sectional view of the staple cartridge for a surgical stapler of FIG. 1, taken along line 10-10 of FIG. 3; and,
 FIG. 11 is a cross-sectional view of the staple cartridge for a surgical stapler of FIG. 1, taken along line 11-11 of FIG. 3.

The dash-dot-dot-dash broken lines in the drawings are included for the purpose of illustrating the portions of the stapler cartridge shown in the enlarged views.

1 Claim, 10 Drawing Sheets



(56)

References Cited

U.S. PATENT DOCUMENTS

8,684,249 B2 * 4/2014 Racenet A61B 17/068
227/175.1
9,877,721 B2 * 1/2018 Schellin A61B 17/105
2015/0297222 A1 * 10/2015 Huitema A61B 17/068
227/176.1
2016/0106427 A1 * 4/2016 Shelton, IV A61B 17/07207
227/180.1
2017/0056002 A1 * 3/2017 Nalagatla A61B 17/105
2017/0095253 A1 * 4/2017 Aranyi A61B 17/105
2017/0303925 A1 * 10/2017 Scheib A61B 17/068
2017/0367695 A1 * 12/2017 Shelton, IV A61B 17/072
2017/0367697 A1 * 12/2017 Shelton, IV A61B 17/068

* cited by examiner

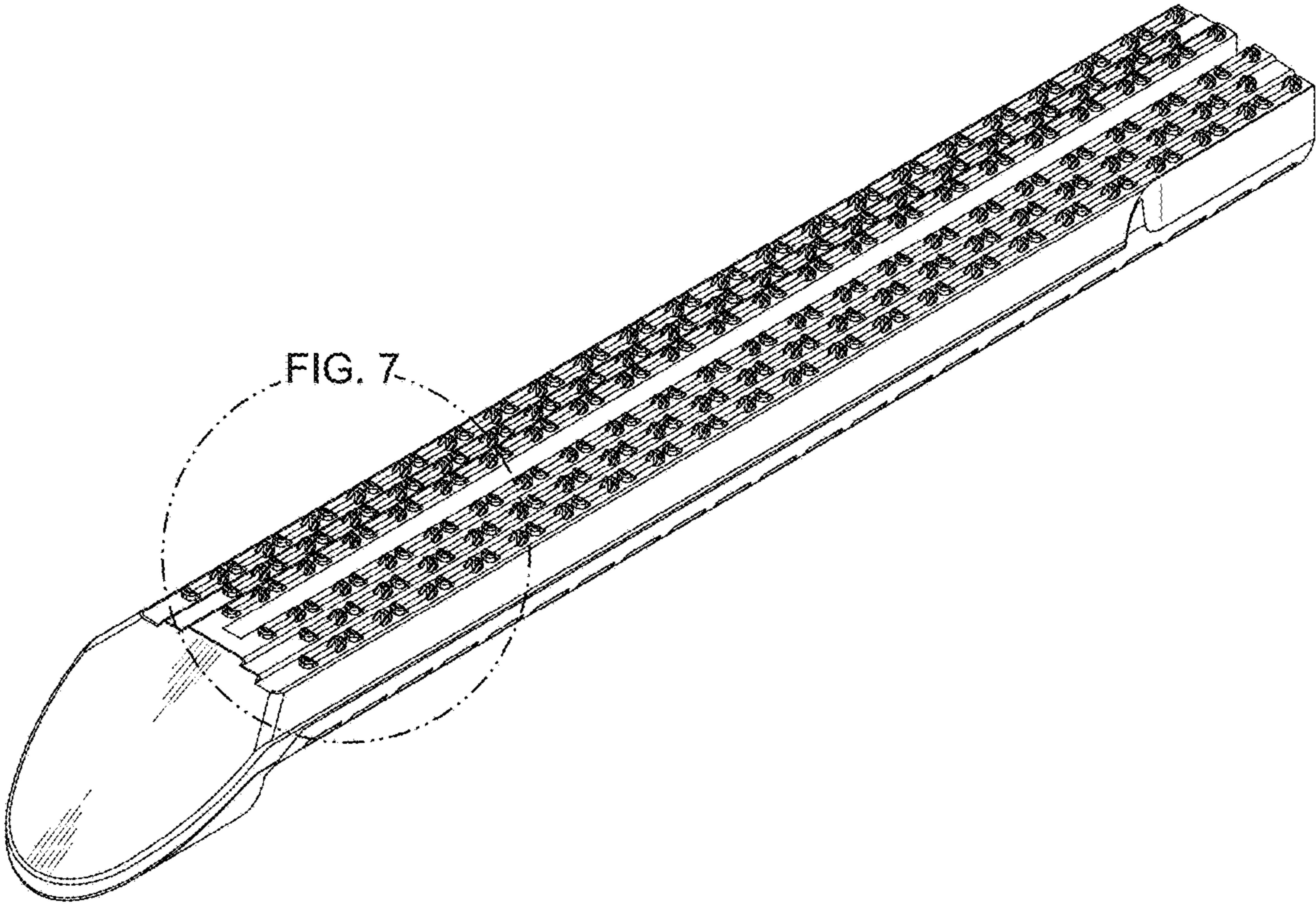


FIG. 1

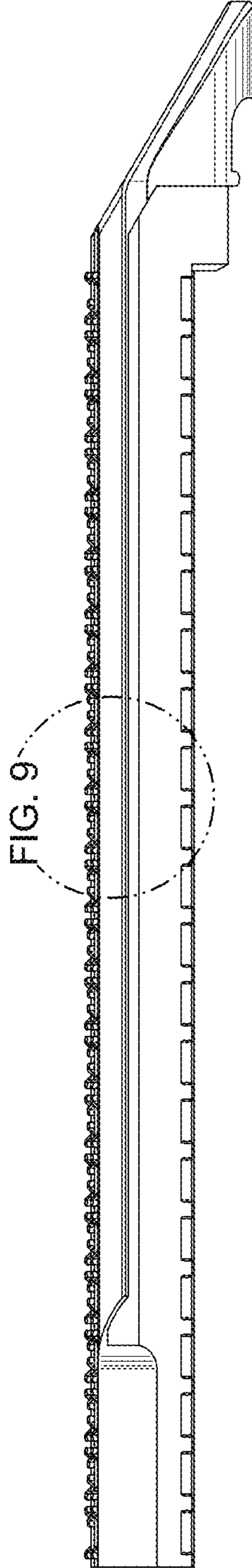


FIG. 2

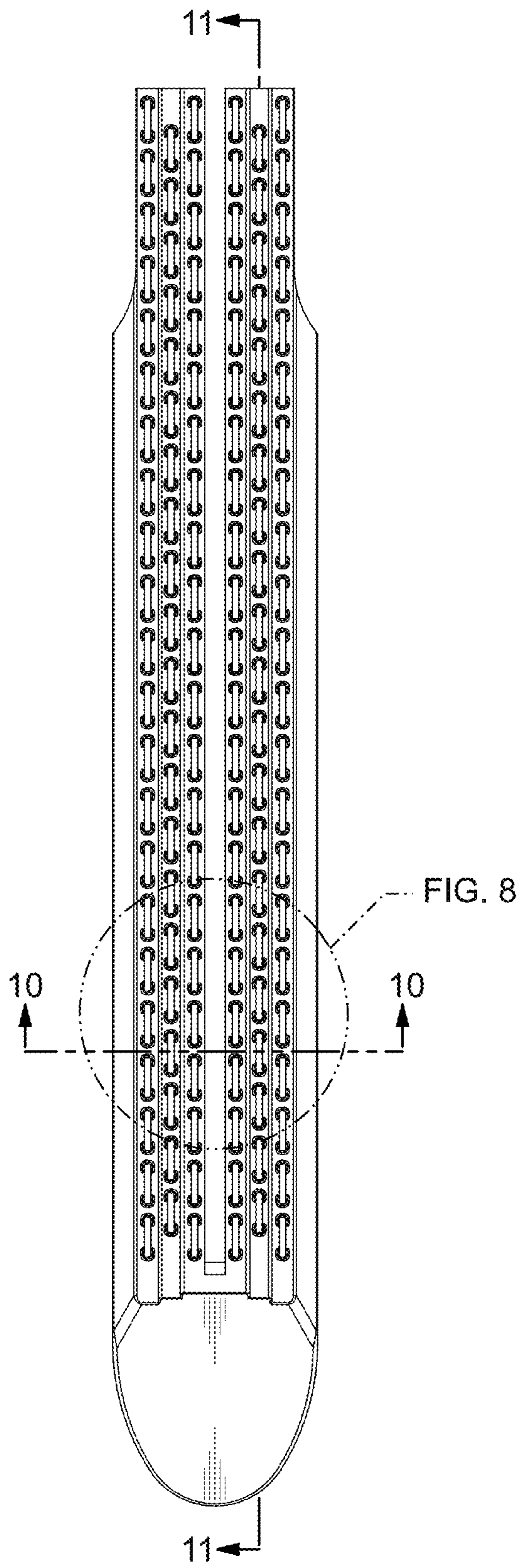


FIG. 3

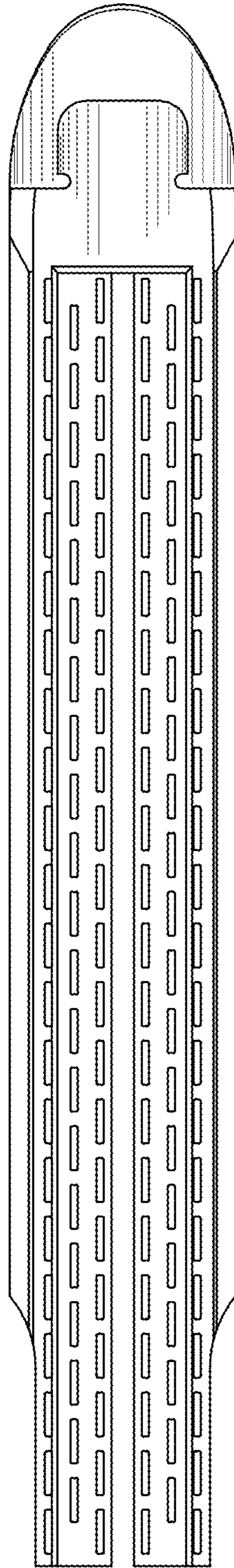


FIG. 4

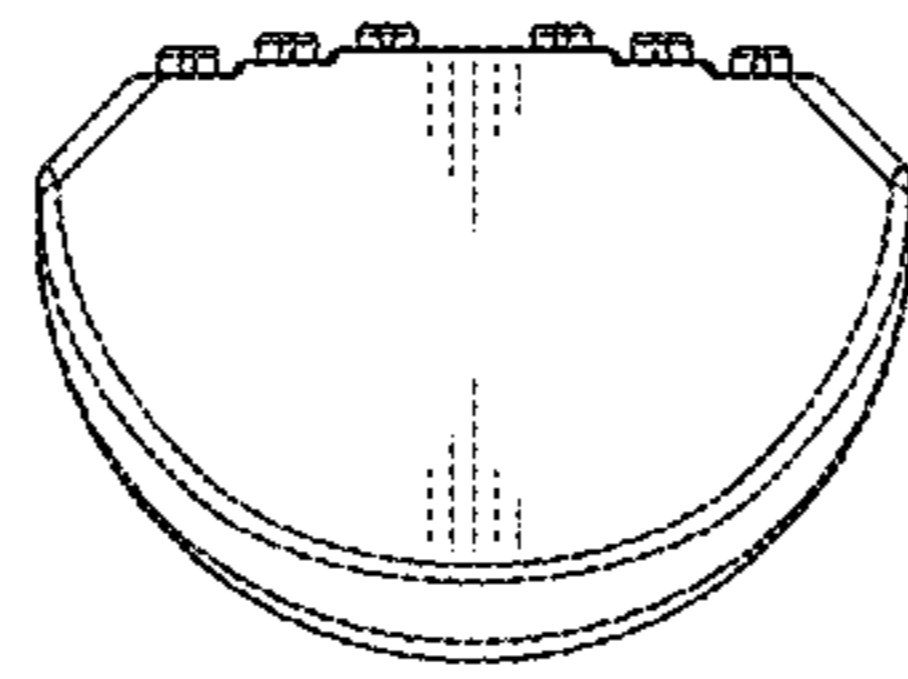


FIG. 5

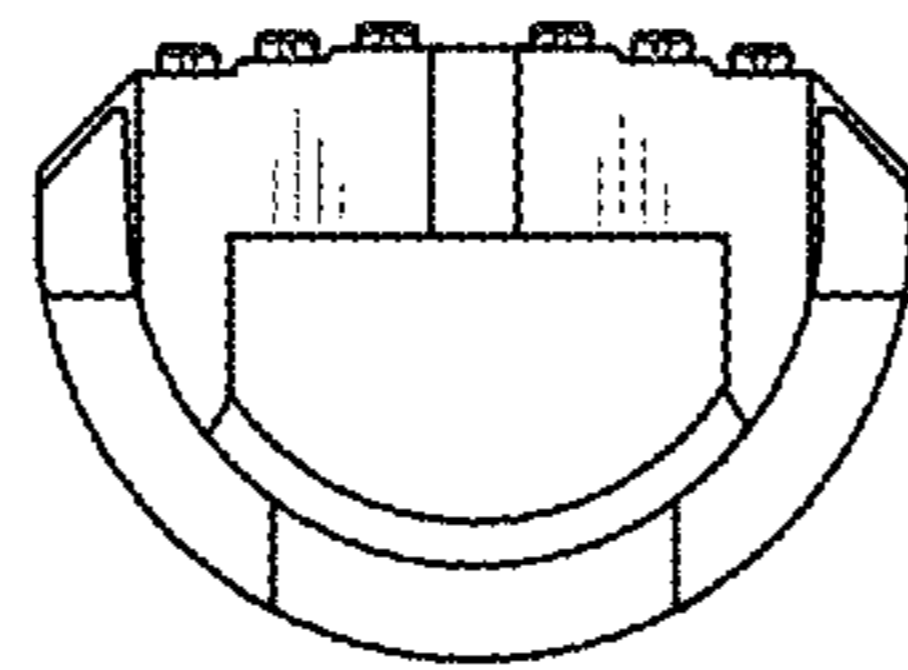


FIG. 6

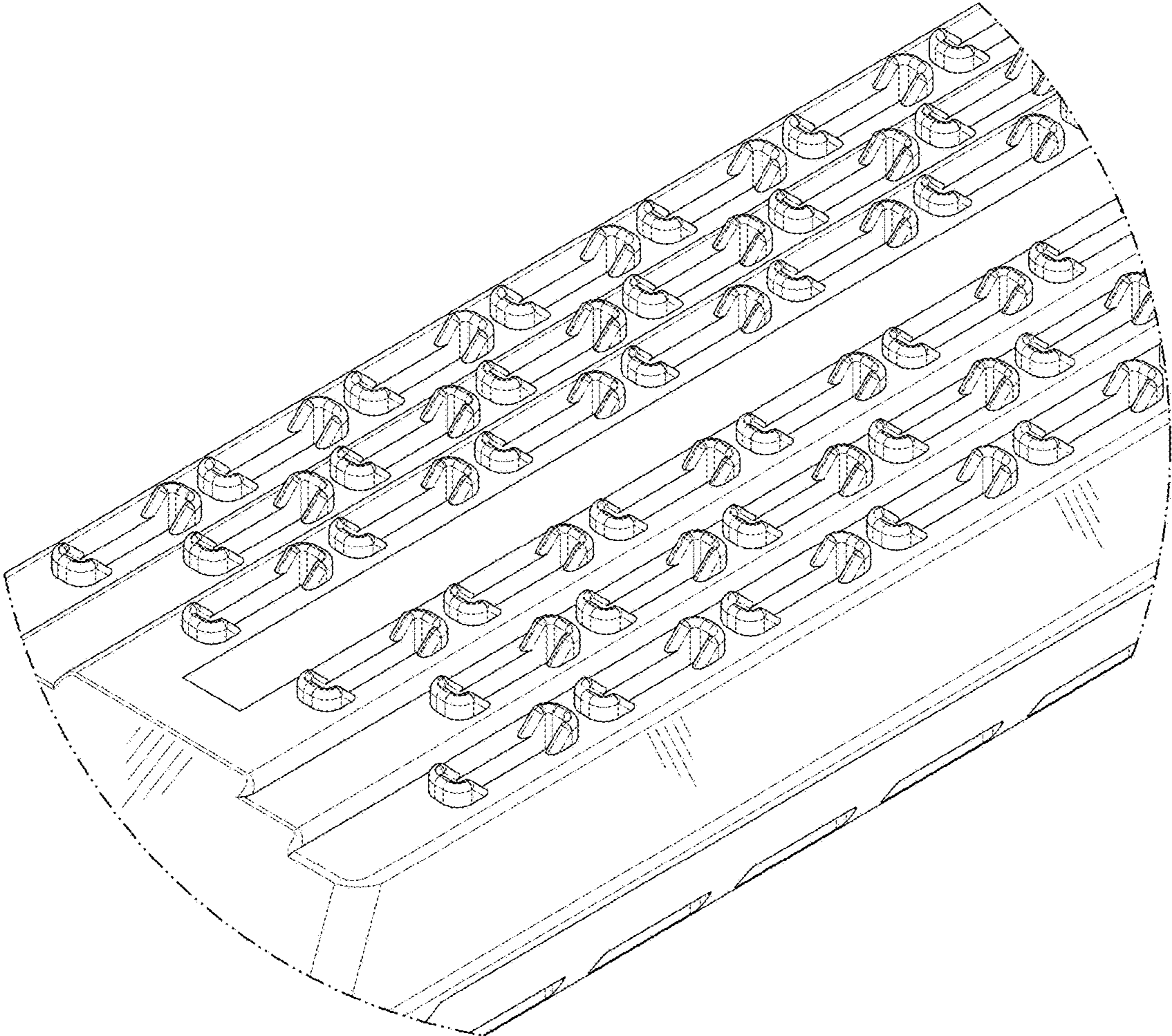


FIG. 7

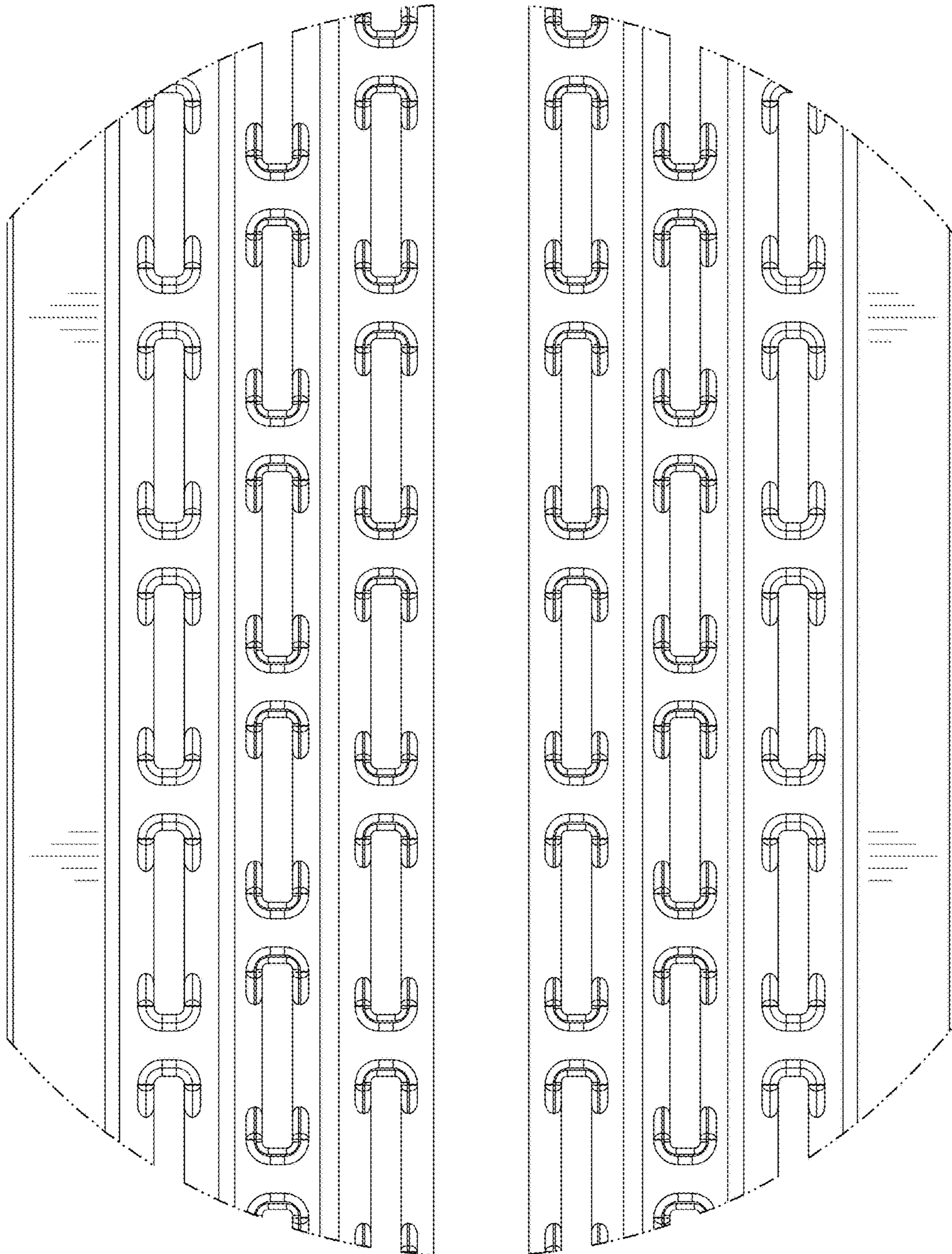


FIG. 8

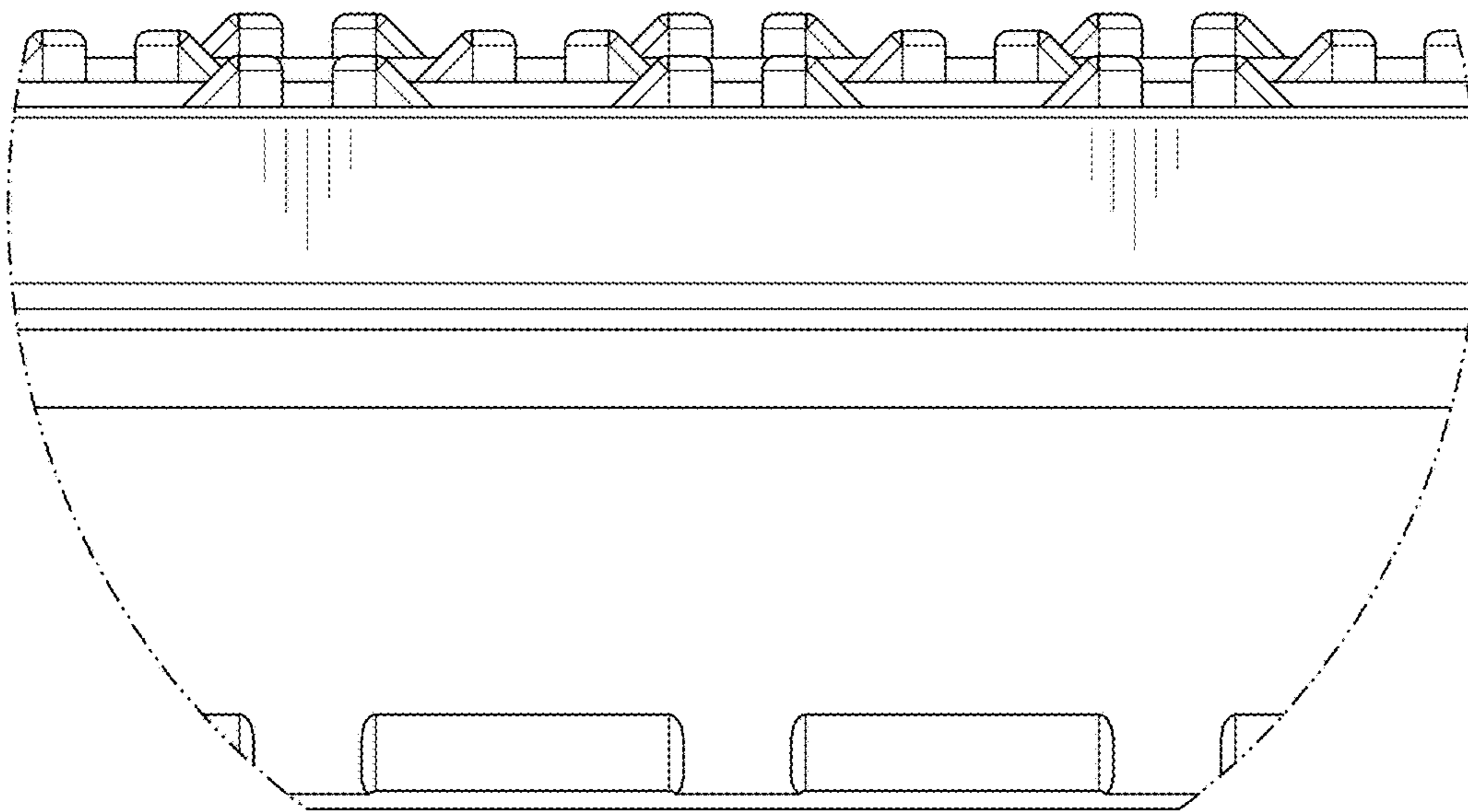


FIG. 9

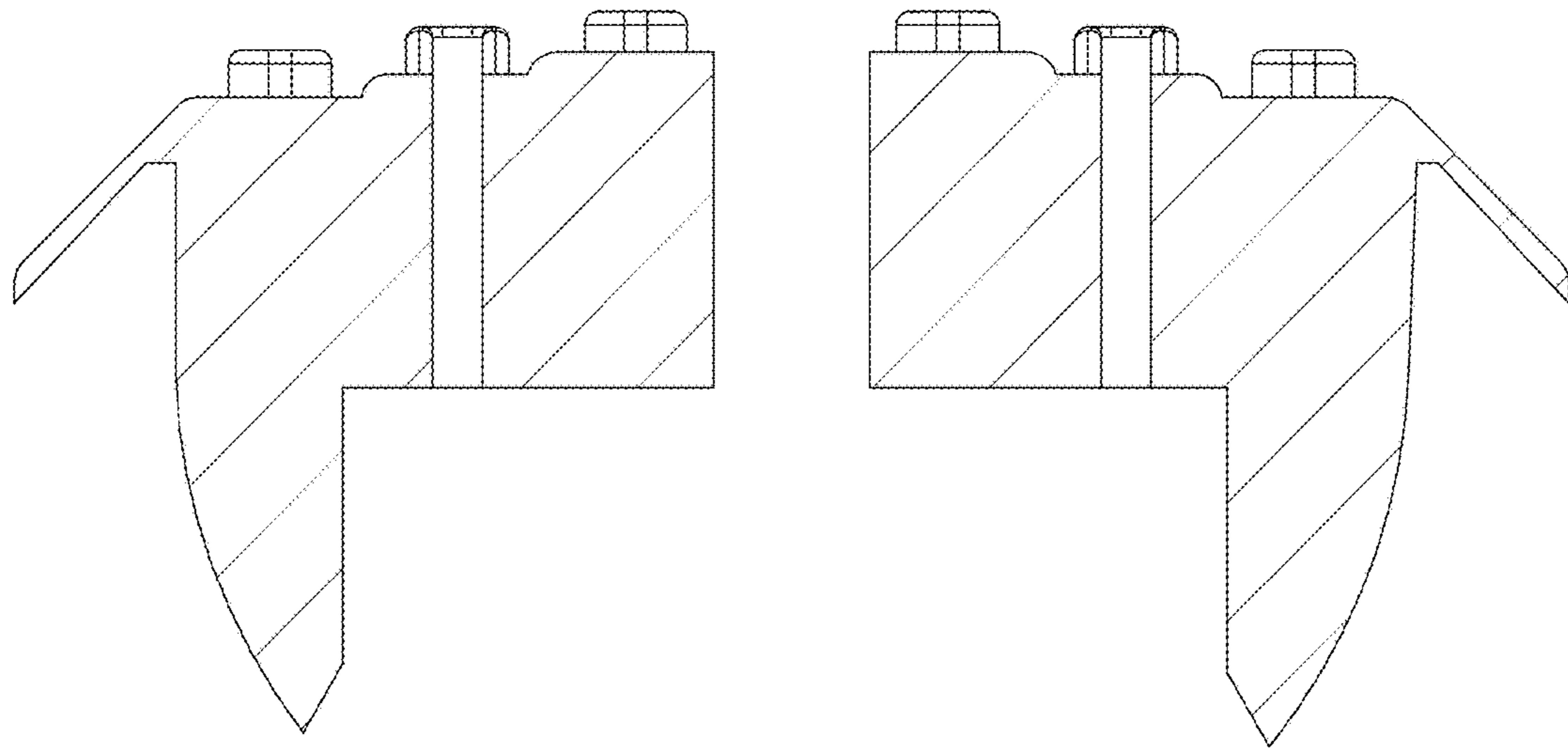


FIG. 10

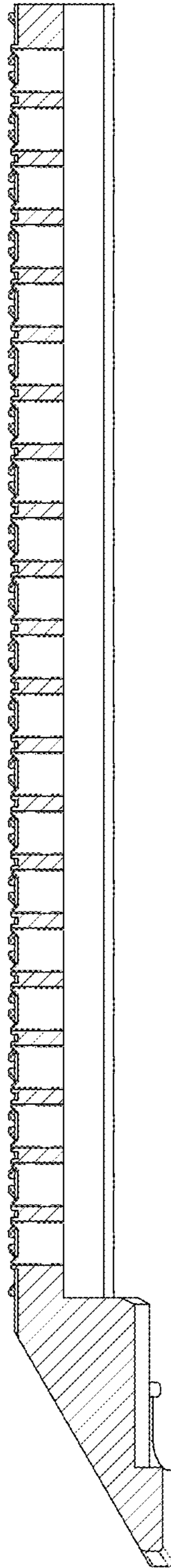


FIG. 11