



US00D836197S

(12) **United States Design Patent** (10) **Patent No.:** **US D836,197 S**
Cormio et al. (45) **Date of Patent:** **** Dec. 18, 2018**

(54) **FORCEPS INSERT**
(71) Applicant: **Karl Storz SE & Co. KG**, Tuttlingen (DE)
(72) Inventors: **Luigi Cormio**, Bari (IT); **Tobias Unger**, Tuttlingen (DE)
(73) Assignee: **Karl Storz SE & Co. KG**, Tuttlingen (DE)

6,063,103 A 5/2000 Hashiguchi
6,616,683 B1 * 9/2003 Toth A61B 17/29
606/205
6,723,109 B2 4/2004 Solingen
6,730,076 B2 * 5/2004 Hickingbotham A61B 90/36
606/13
D545,432 S 6/2007 Watanabe
D582,037 S 12/2008 Poll et al.
D590,944 S 4/2009 Watanabe
D610,680 S 2/2010 Blocher
D632,788 S * 2/2011 Thouement D24/143
9,320,534 B2 * 4/2016 Vezzu A61B 17/29
D762,302 S * 7/2016 Dunn D24/133

(**) Term: **15 Years**

(Continued)

(21) Appl. No.: **29/588,344**

(22) Filed: **Dec. 20, 2016**

(30) **Foreign Application Priority Data**

Jun. 20, 2016 (EM) 003230291-0001

(51) **LOC (11) Cl.** **24-02**

(52) **U.S. Cl.**
USPC **D24/143**

(58) **Field of Classification Search**
USPC D24/133, 143, 147; D7/683, 685-686
CPC B25B 9/02; A61B 17/28; A61B 17/29; A61B 17/30; A61B 18/1442; A61B 18/1445
See application file for complete search history.

(56) **References Cited**

U.S. PATENT DOCUMENTS

2,597,394 A 5/1952 Snowden
D262,599 S 1/1982 Wallace
D267,509 S * 1/1983 Wannag D24/143
D289,683 S 5/1987 Gilfillan
4,955,897 A * 9/1990 Ship A61B 17/30
294/99.2
D331,800 S * 12/1992 Han D24/143
5,222,973 A * 6/1993 Sharpe A61B 17/29
294/100
5,304,203 A 4/1994 El-Mallawany et al.
5,718,714 A 2/1998 Livneh

OTHER PUBLICATIONS

Storz 26176KL Bipolar Forceps Paddle Jaw Insert, D/A Serrated Jaws. Retrieved on Jul. 17, 2018. Retrieved from the Internet: <URL: <https://www.endoscopysuperstore.com/Storz-26176KL-Bipolar-Forceps-Paddle-Jaw-Insert-D/A-Serrated-Jaws.aspx#.W03hDfl97mE>>.*

Primary Examiner — Wan Laymon

(74) Attorney, Agent, or Firm — Whitmyer IP Group LLC

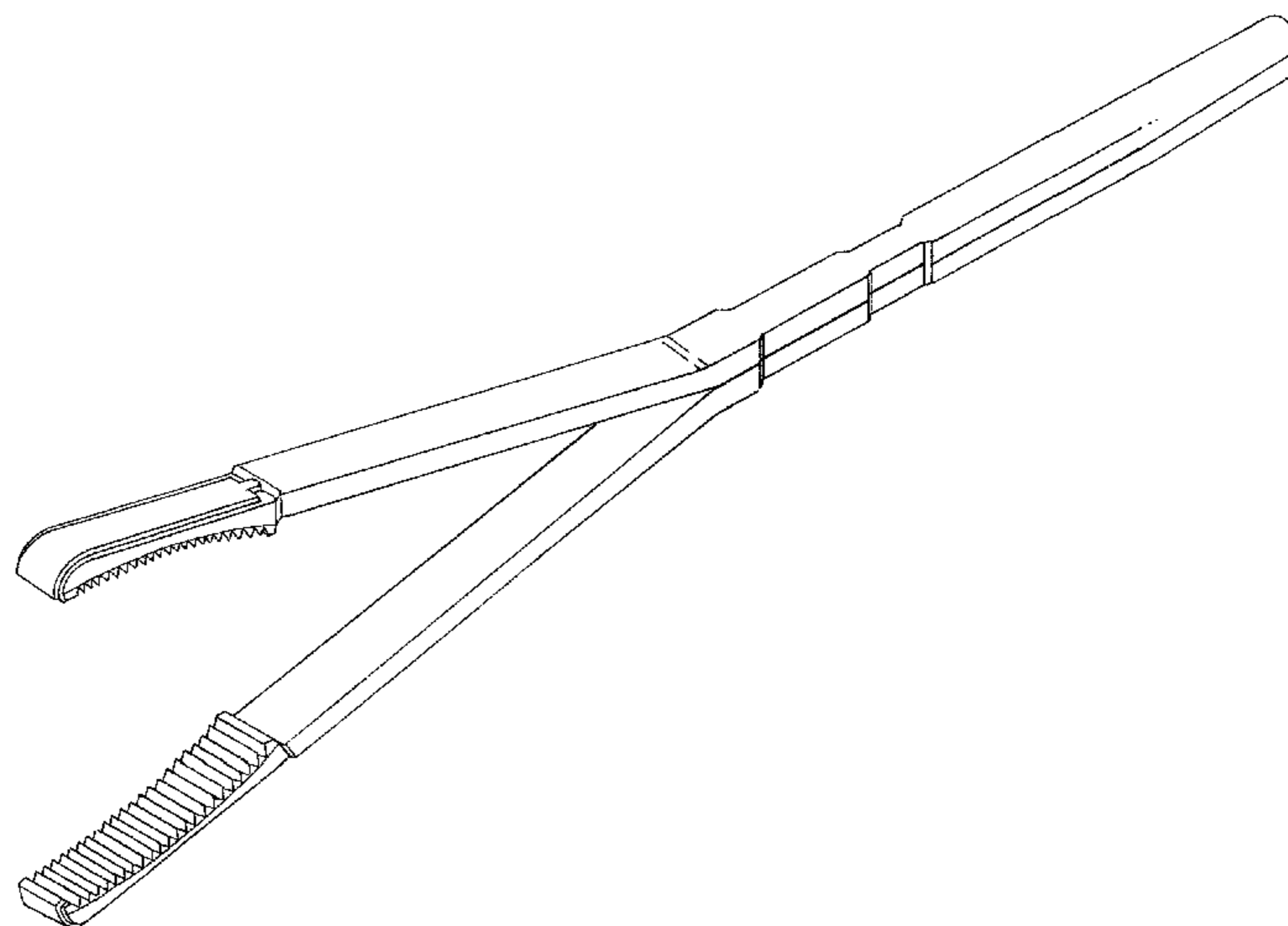
(57) **CLAIM**

The ornamental design for a forceps insert, as shown and described.

DESCRIPTION

FIG. 1 is a front left side isometric view of a forceps insert in accordance with the new design;
FIG. 2 is a left side elevational view thereof;
FIG. 3 is a right side elevational view thereof;
FIG. 4 is a top plan view thereof;
FIG. 5 is a bottom plan view thereof;
FIG. 6 is an enlarged front elevational view thereof; and,
FIG. 7 is an enlarged rear elevational view thereof.
The broken lines shown in the drawings illustrate portions of the article that form no part of the claimed design.

1 Claim, 7 Drawing Sheets



(56)

References Cited

U.S. PATENT DOCUMENTS

2007/0299439 A1 12/2007 Latterell et al.
2008/0262480 A1 10/2008 Stahler et al.
2015/0238355 A1* 8/2015 Vezzu A61B 17/29
606/207
2015/0305762 A1* 10/2015 Dunn A61B 17/30
606/205
2016/0296246 A1* 10/2016 Schaller A61B 17/30
2016/0346107 A1* 12/2016 Matthison-Hansen
A61B 17/30
2017/0086871 A1* 3/2017 Scheller A61B 17/30

* cited by examiner

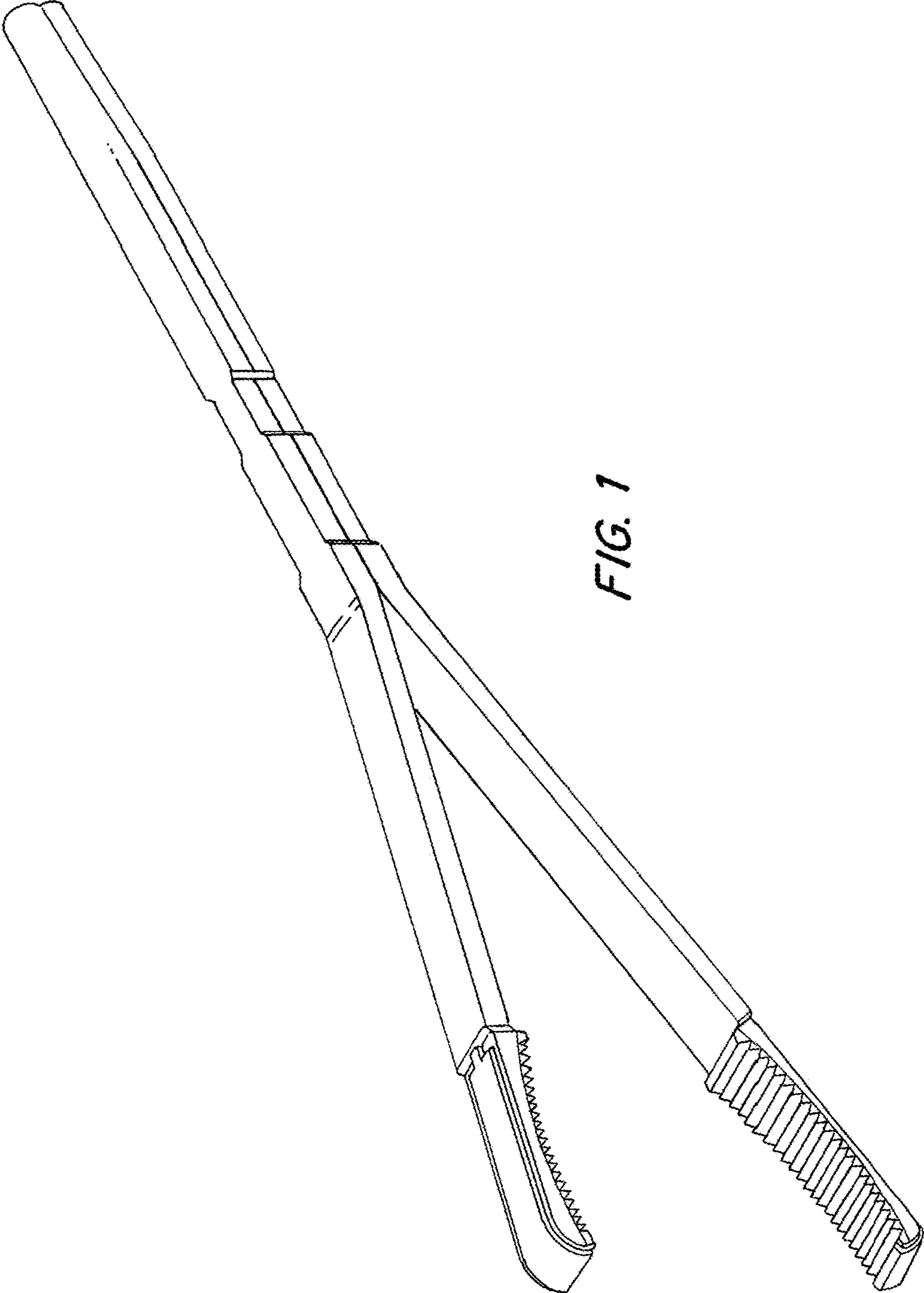


FIG. 1

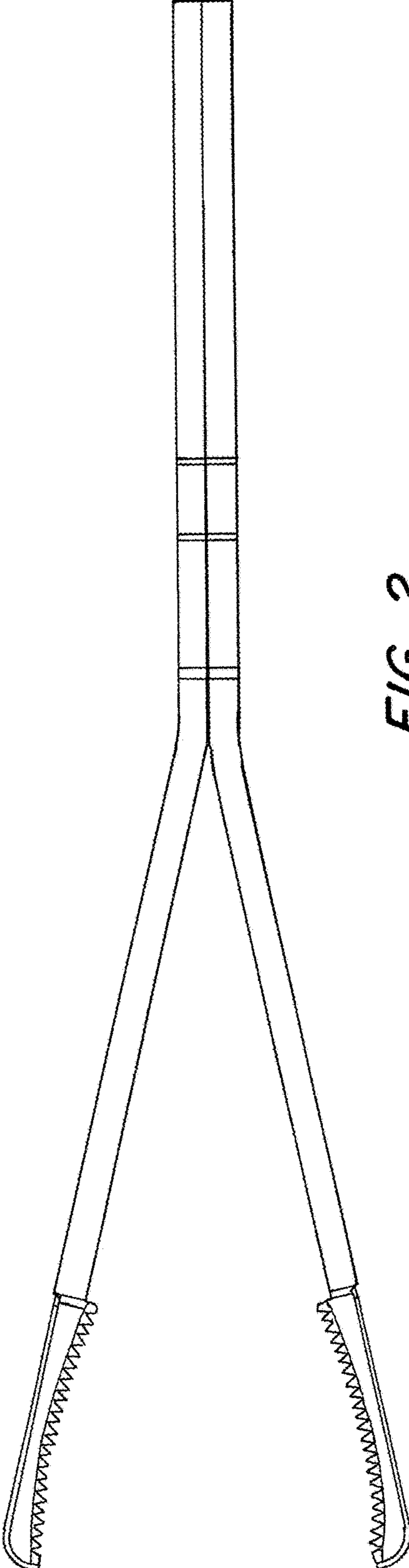


FIG. 2

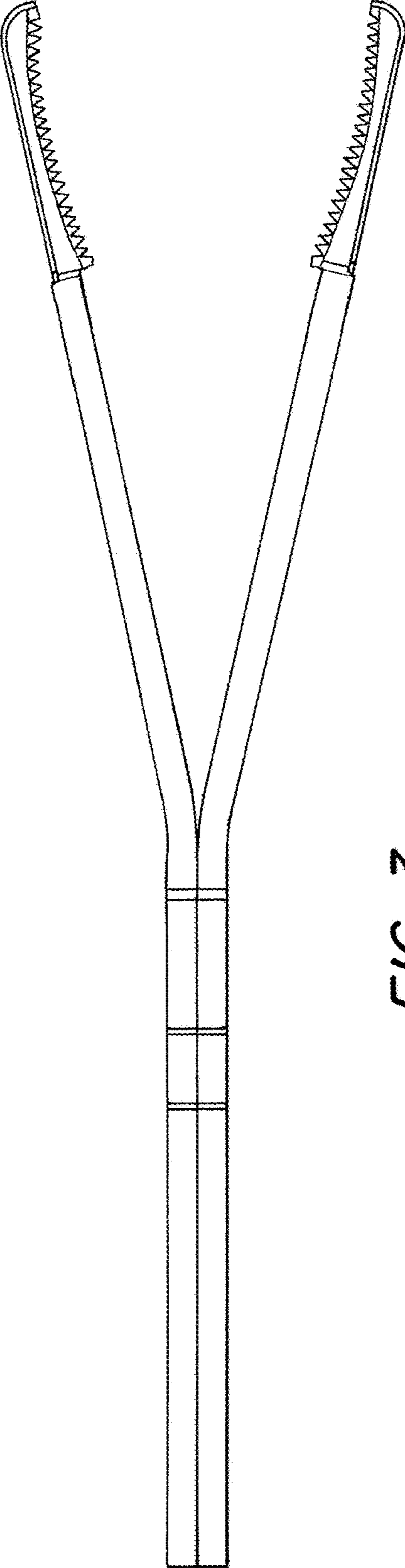


FIG. 3



FIG. 4

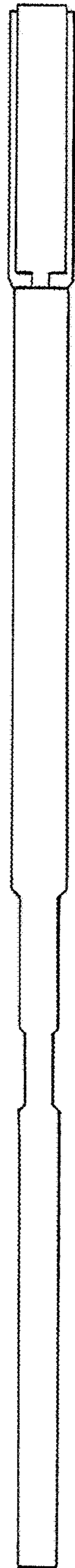


FIG. 5

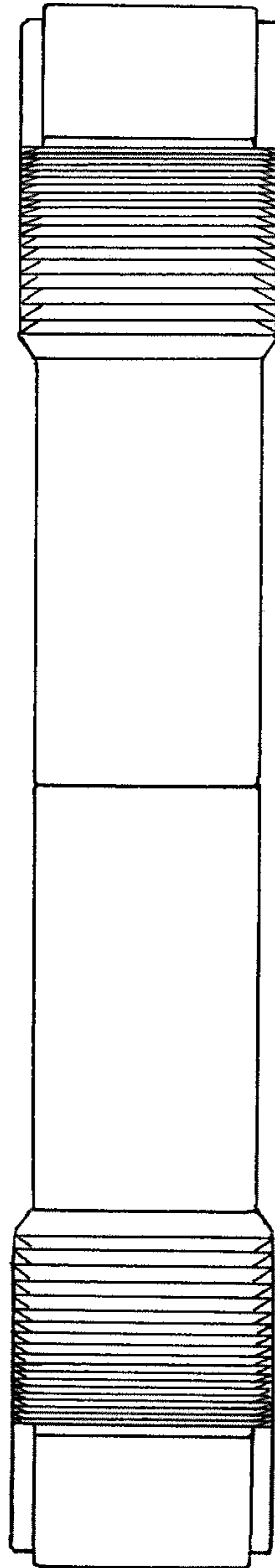


FIG. 6

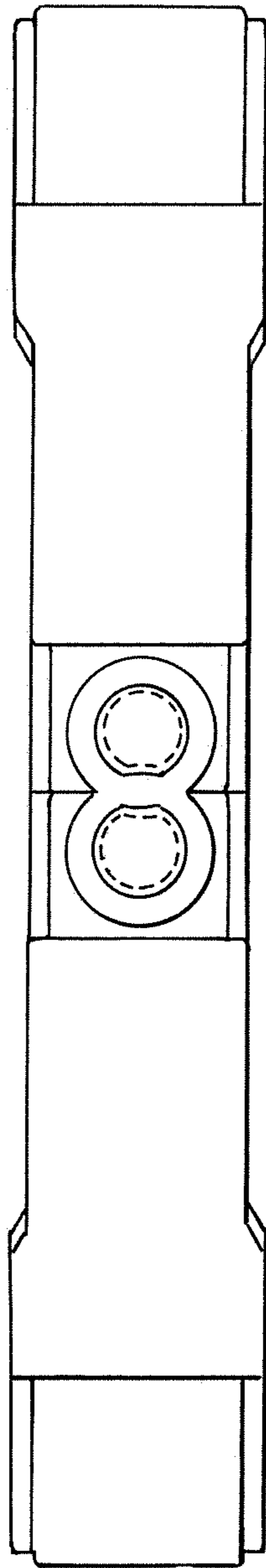


FIG. 7