



US00D836195S

(12) **United States Design Patent**  
**Pang**

(10) **Patent No.:** **US D836,195 S**

(45) **Date of Patent:** **\*\* Dec. 18, 2018**

(54) **SYRINGE**

(71) Applicant: **WETTRUST CO., LTD.**, Seongnam-si,  
Gyeonggi-do (KR)

(72) Inventor: **Ji Hwan Pang**, Seongnam-si (KR)

(73) Assignee: **WETTRUST CO., LTD.**, Seongnam-si,  
Gyeonggi-Do (KR)

(\*\*) Term: **15 Years**

(21) Appl. No.: **29/615,754**

(22) Filed: **Aug. 31, 2017**

(30) **Foreign Application Priority Data**

Apr. 28, 2017 (KR) ..... 30-2017-0020137

(51) **LOC (11) Cl.** ..... **24-02**

(52) **U.S. Cl.**  
USPC ..... **D24/141**

(58) **Field of Classification Search**  
USPC ..... D24/141, 112-114; 604/904  
CPC ..... A61F 13/26; A61F 13/266; A61F 13/20;  
A61F 13/204; A61F 13/2051; A61F  
13/2097; A61F 13/263; A61F 13/55185;  
Y10S 604/904

See application file for complete search history.

(56) **References Cited**

**U.S. PATENT DOCUMENTS**

D103,976 S \* 4/1937 Lerner ..... D24/141  
3,918,452 A \* 11/1975 Cornfeld ..... A61F 13/26  
424/431  
4,198,978 A \* 4/1980 Nigro ..... A61F 13/26  
604/14

7,217,252 B2 \* 5/2007 Swick ..... A61F 13/26  
604/15  
D772,409 S \* 11/2016 Buell ..... D24/141  
2012/0101424 A1 \* 4/2012 Watanabe ..... A61F 13/26  
604/18

**OTHER PUBLICATIONS**

Vaginal/Rectal Cylinder Applicator Set Variable Shielding. Retrieved on Jul. 26, 2018. Retrieved from the Internet: <URL: [https://www.bebig.com/home/products/hdr\\_brachytherapy/gyn\\_rectal/](https://www.bebig.com/home/products/hdr_brachytherapy/gyn_rectal/)>.\*  
Wettrust Vaginal Applicator. wettrust®. Retrieved on Jul. 26, 2018. Retrieved from the Internet: <URL: [http://wettrustglobal.com/default/product/product.php?com\\_board\\_basic=read\\_form&com\\_board\\_idx=16&&com\\_board\\_search\\_code=&com\\_board\\_se...](http://wettrustglobal.com/default/product/product.php?com_board_basic=read_form&com_board_idx=16&&com_board_search_code=&com_board_se...)>.\*

\* cited by examiner

*Primary Examiner* — Wan Laymon

(74) *Attorney, Agent, or Firm* — Revolution IP, PLLC

(57) **CLAIM**

The ornamental design for a syringe, as shown and described.

**DESCRIPTION**

FIG. 1 is a perspective view of a syringe showing the claimed design;  
FIG. 2 is a front view thereof;  
FIG. 3 is a rear view thereof;  
FIG. 4 is a left side view thereof;  
FIG. 5 is a right side view thereof;  
FIG. 6 is a top view thereof;  
FIG. 7 is a bottom view thereof; and,  
FIG. 8 is a reference view showing the claimed design in use.

**1 Claim, 3 Drawing Sheets**

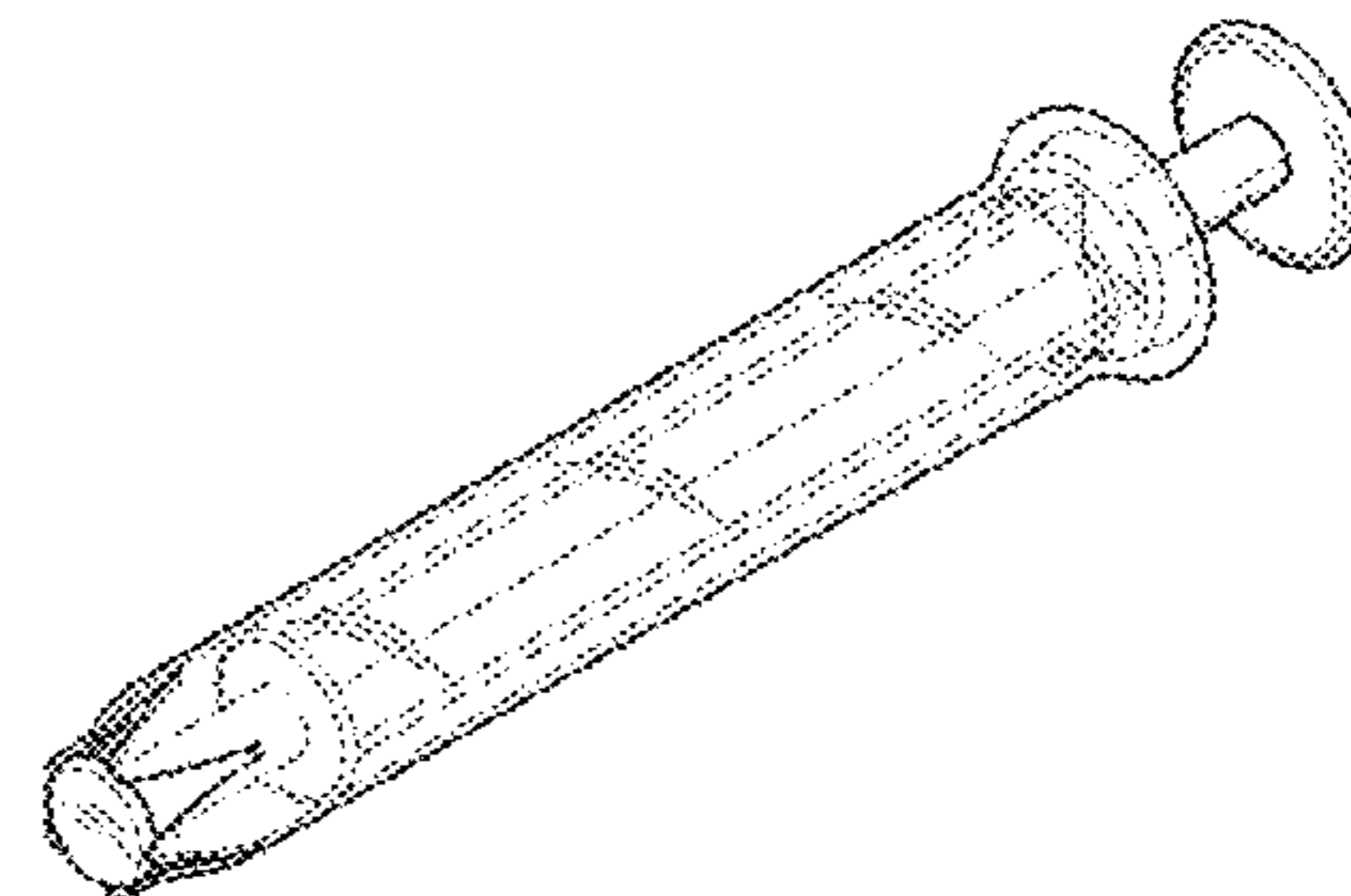
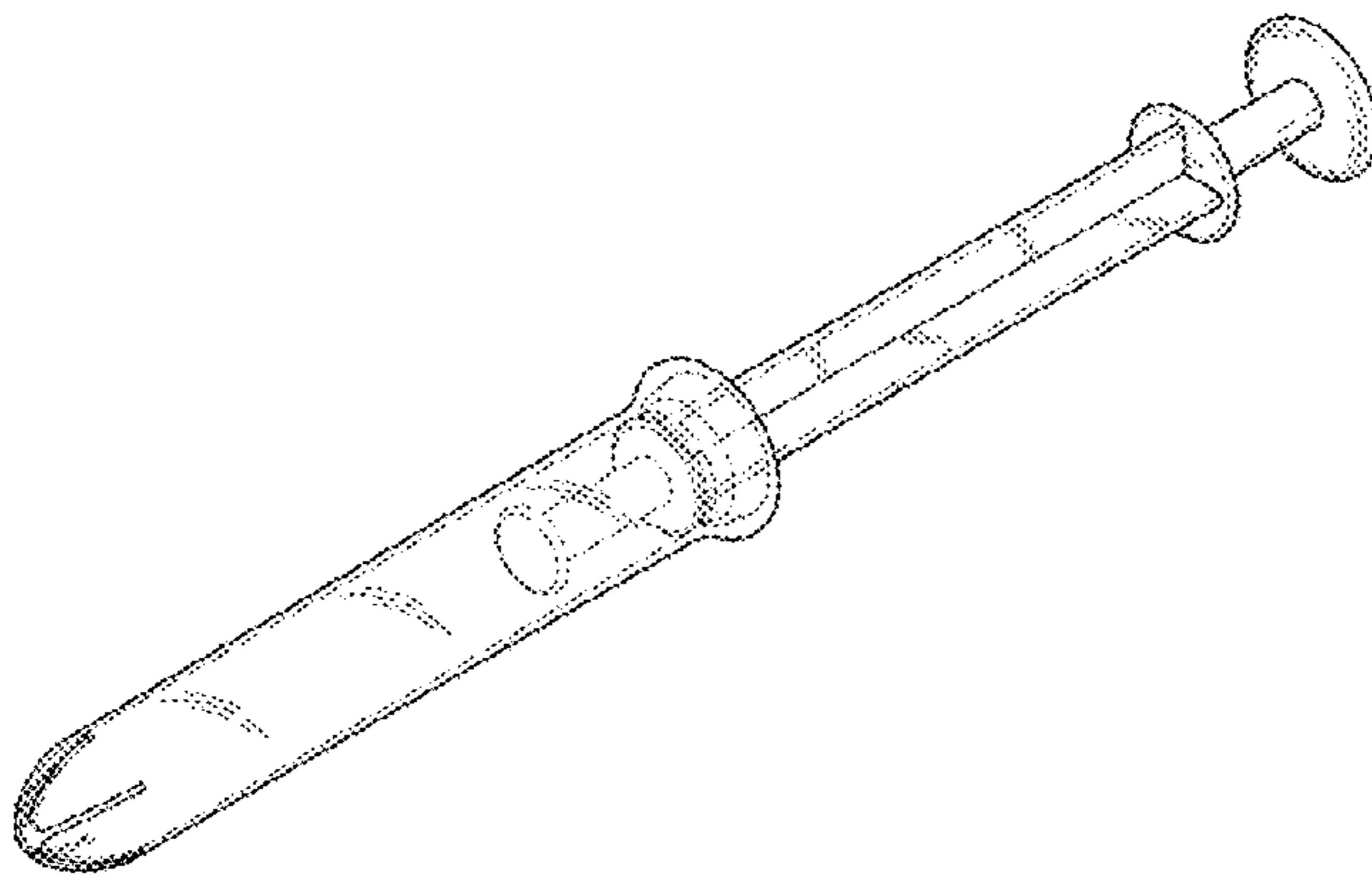


FIG. 1

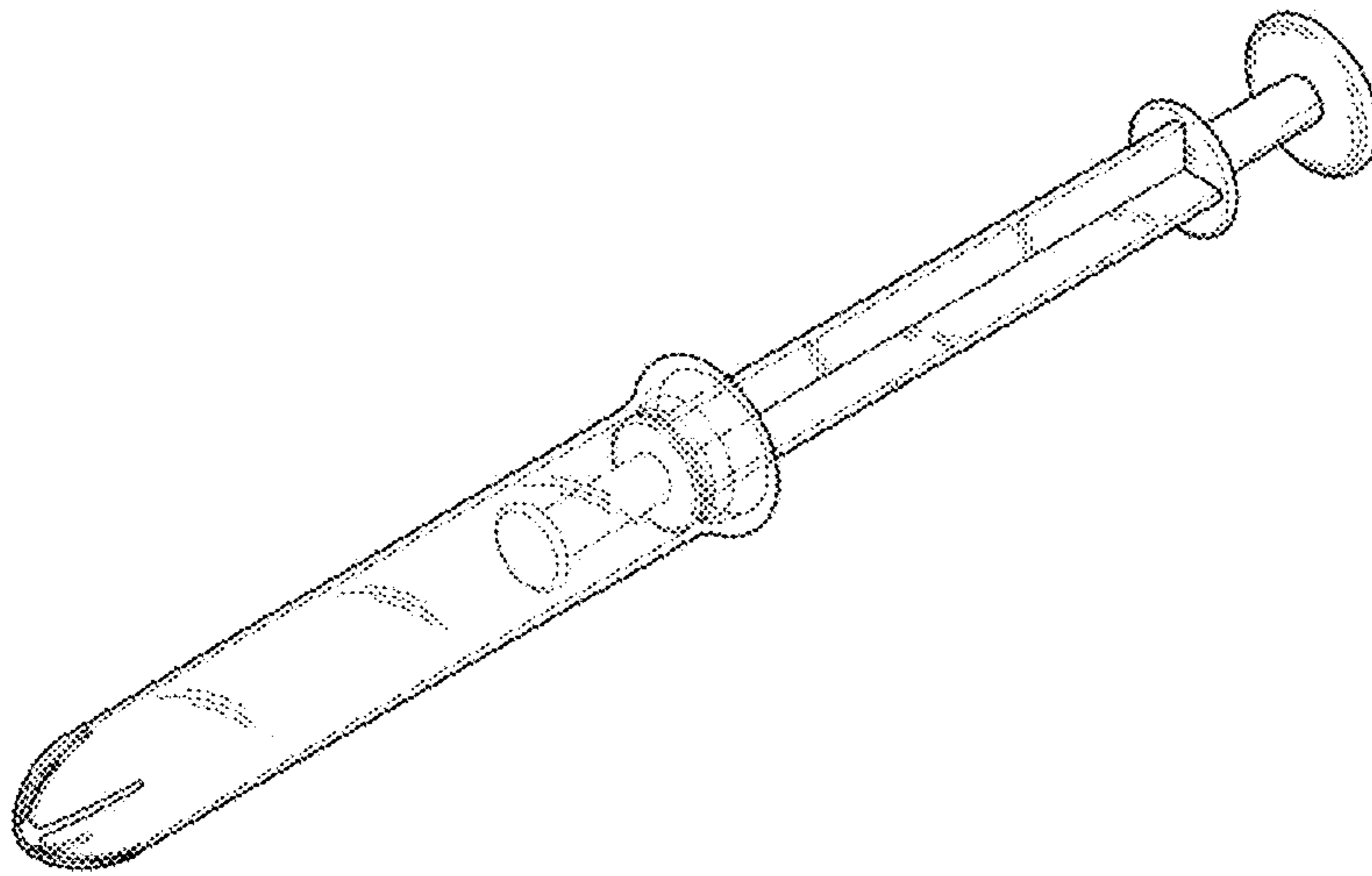


FIG. 2

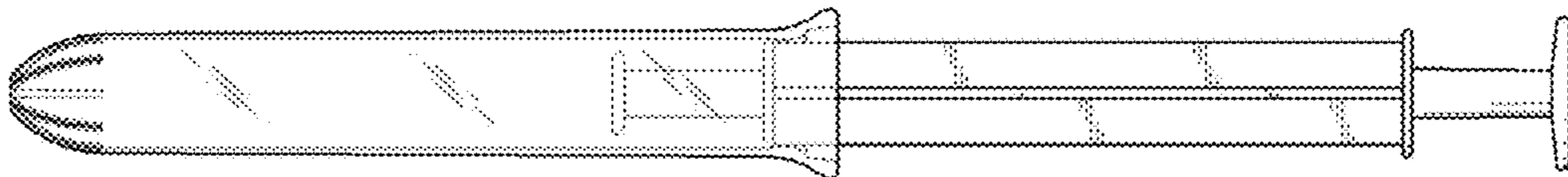


FIG. 3

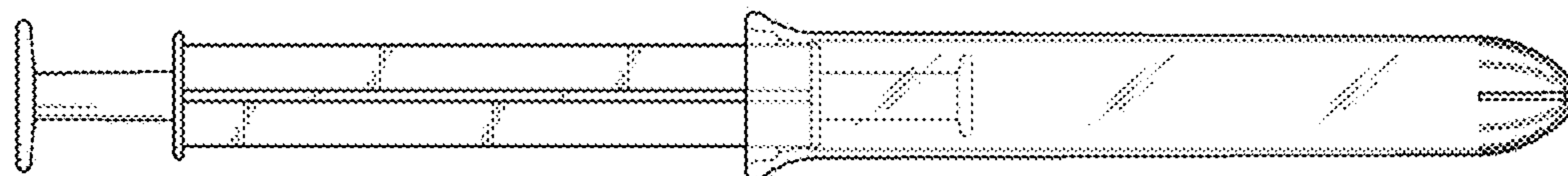


FIG. 4

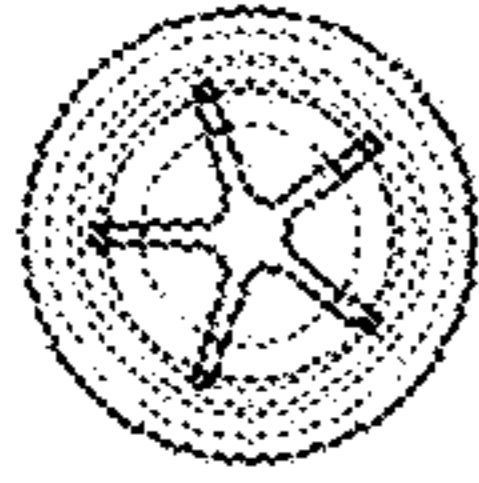


FIG. 5

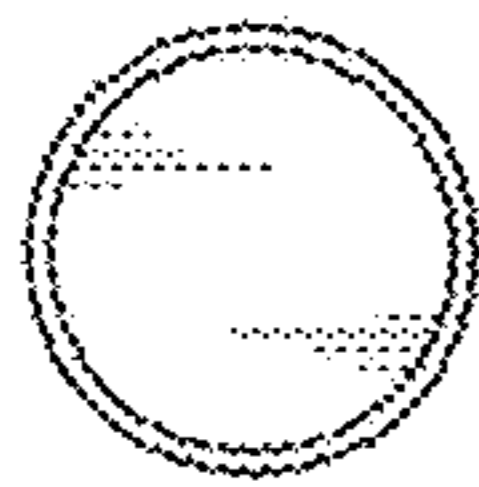


FIG. 6

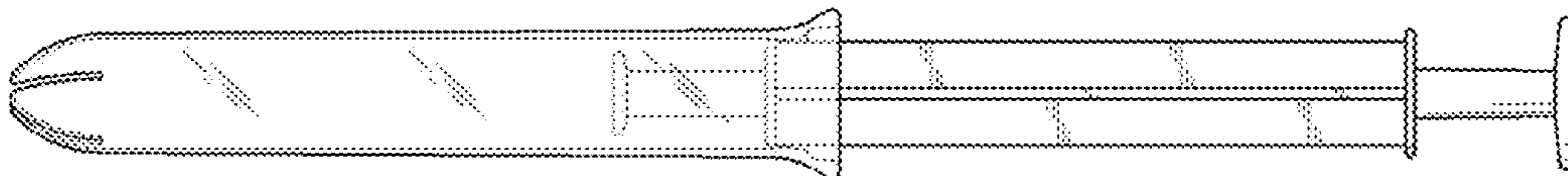


FIG. 7

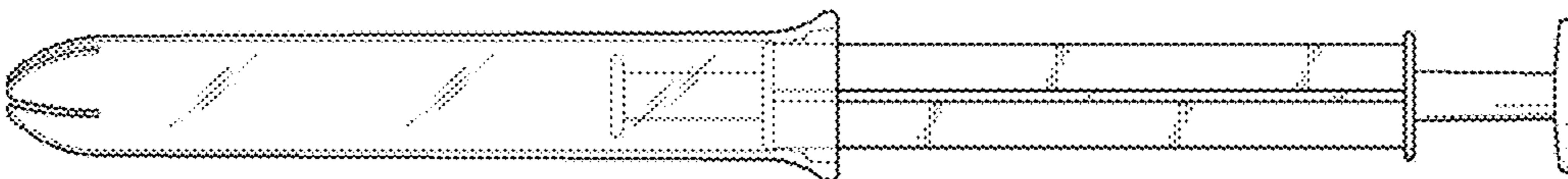


FIG. 8

