



US00D836192S

(12) **United States Design Patent**
Bae

(10) **Patent No.:** **US D836,192 S**

(45) **Date of Patent:** **** Dec. 18, 2018**

(54) **MEDICINE INJECTOR**
(71) Applicant: **Kwon Young Bae**, Seoul (KR)
(72) Inventor: **Kwon Young Bae**, Seoul (KR)
(**) Term: **15 Years**
(21) Appl. No.: **35/503,741**
(22) Filed: **Mar. 28, 2017**

4,353,358 A * 10/1982 Emerson A61B 1/0056
600/139
4,966,601 A * 10/1990 Draenert A61B 17/8825
604/232
D316,019 S * 4/1991 Belanger D8/30
D319,697 S * 9/1991 Prindle D24/113
D352,780 S * 11/1994 Glaeser D24/133
D374,719 S * 10/1996 Py D24/113
D430,288 S * 8/2000 Mason D24/111
D430,289 S * 8/2000 Mason D24/111
D536,063 S * 1/2007 Childs D23/213
D654,807 S * 2/2012 Durflinger D9/686
D680,220 S * 4/2013 Rachlin D24/133
D713,001 S * 9/2014 Voelker D23/213
D768,848 S * 10/2016 Cooper D24/113

(80) **Hague Agreement Data**

Int. Filing Date: **Mar. 28, 2017**
Int. Reg. No.: **DM/096825**
Int. Reg. Date: **Mar. 28, 2017**
Int. Reg. Pub. Date: **Sep. 29, 2017**

* cited by examiner

Primary Examiner — Robert M. Spear
(74) *Attorney, Agent, or Firm* — Rabin & Berdo, P.C.

(51) **LOC (11) Cl.** **24-02**
(52) **U.S. Cl.**
USPC **D24/113**
(58) **Field of Classification Search**
USPC D24/108, 111, 112, 113; D8/30, 68, 313,
D8/314
CPC A61M 2210/0612; A61M 1/0064; A61M
1/0058; A61M 3/0279; A61M 3/0283
See application file for complete search history.

(57) **CLAIM**

The ornamental design for a medicine injector, as shown and described.

DESCRIPTION

- 1. Medicine injector
- 1.1 : Perspective
- 1.2 : Front
- 1.3 : Back
- 1.4 : Top
- 1.5 : Bottom
- 1.6 : Left
- 1.7 : Right
- 1.8 : Reference

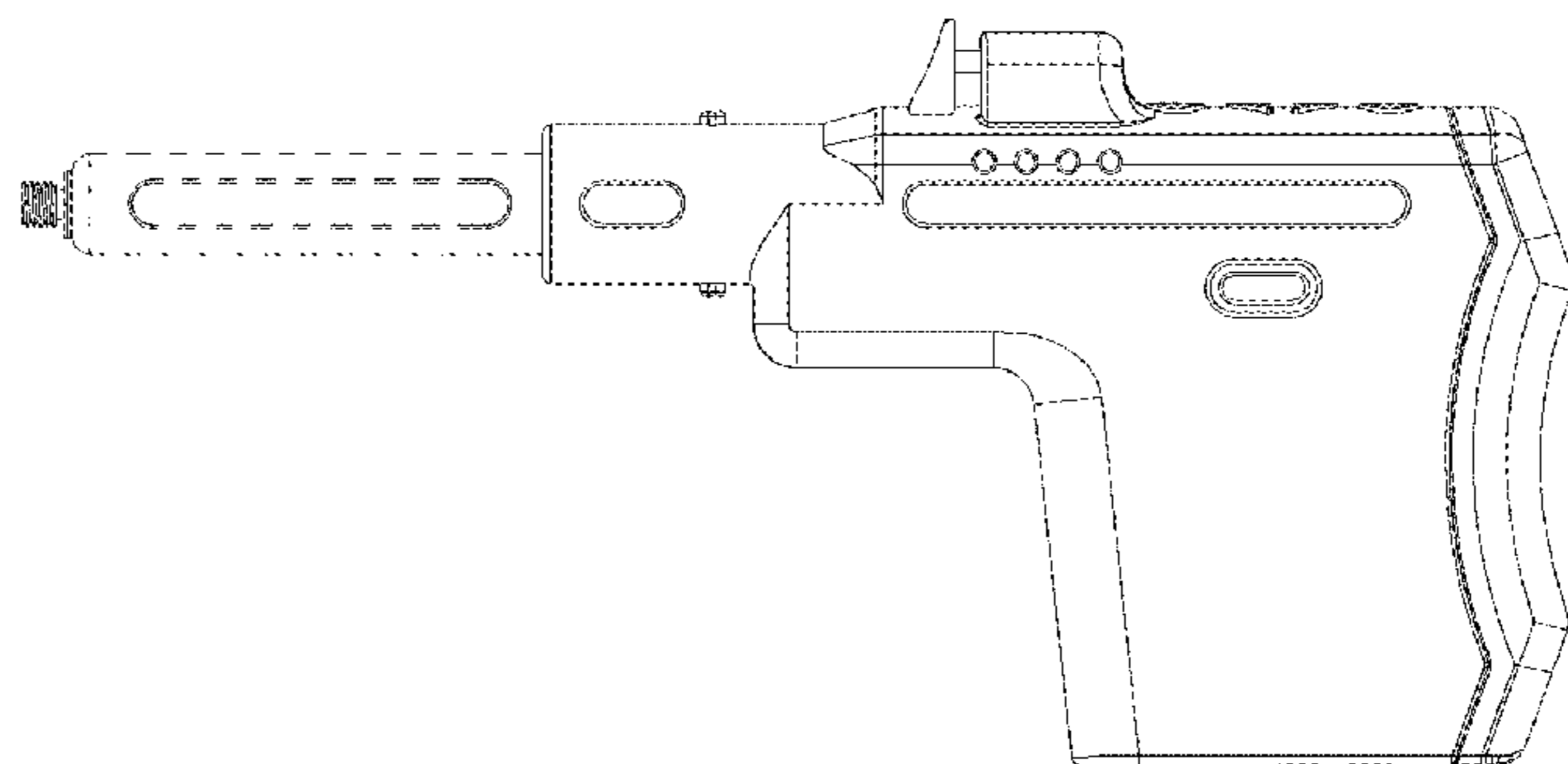
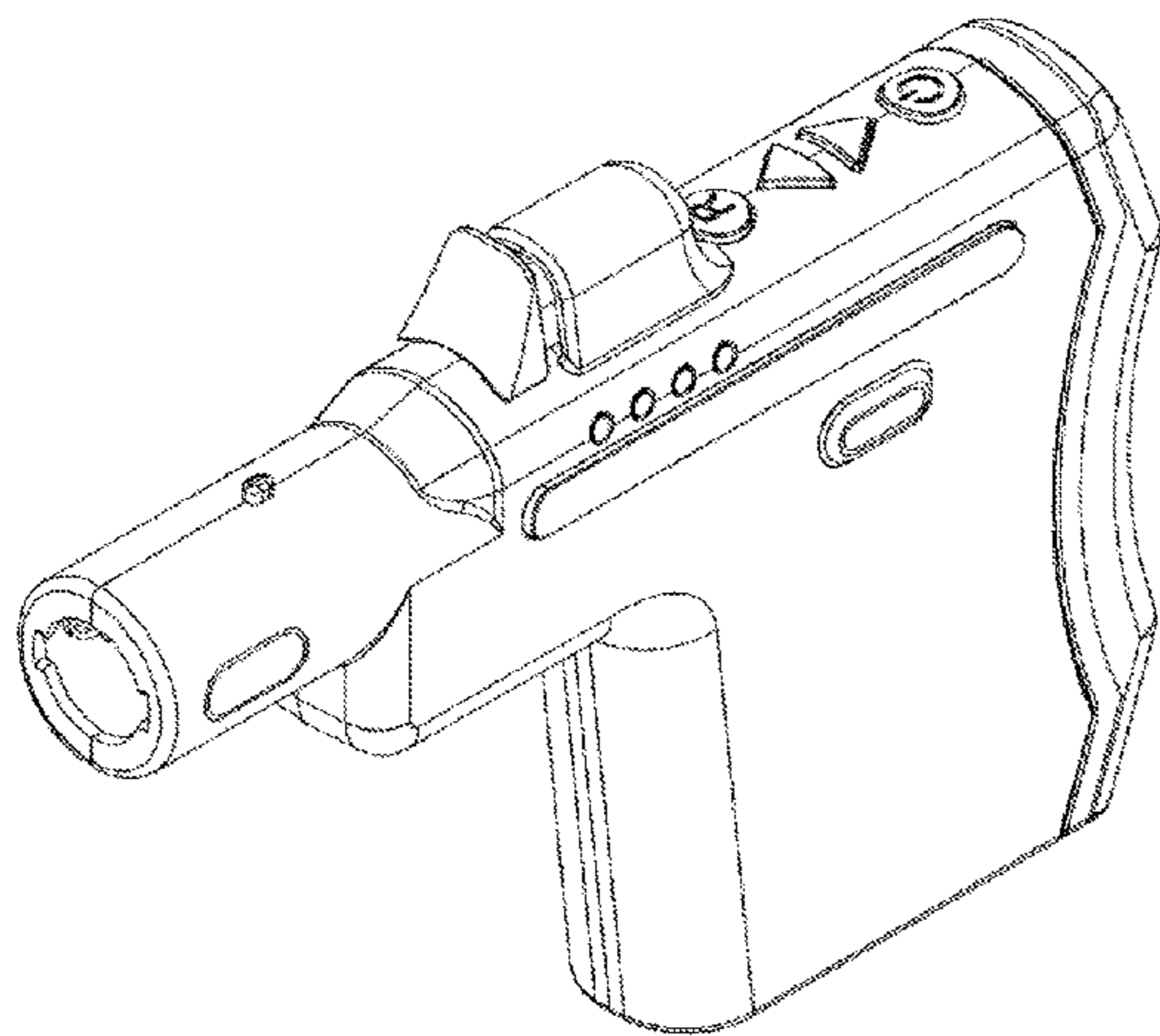
The broken lines in Fig. 1.8 depict an installed medicine ampule that forms no part of the claim.

(56) **References Cited**

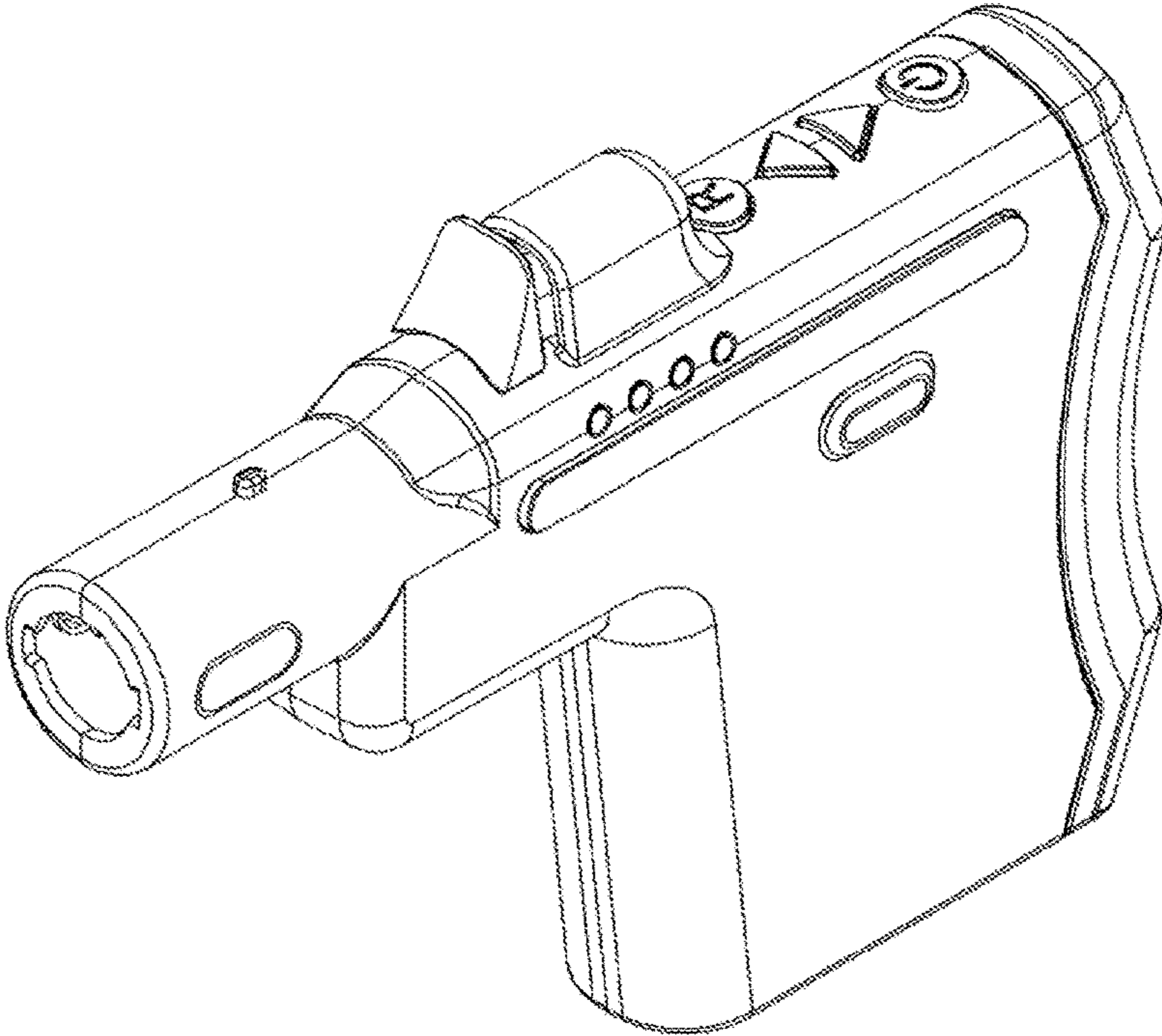
U.S. PATENT DOCUMENTS

D213,202 S * 1/1969 Ehrlich D8/30
D223,258 S * 4/1972 Gates D30/155
D240,498 S * 7/1976 Foltz et al. D8/68
D248,046 S * 5/1978 Tada D23/226
D256,325 S * 8/1980 Crooks D8/30
D263,635 S * 3/1982 Wendt D24/114

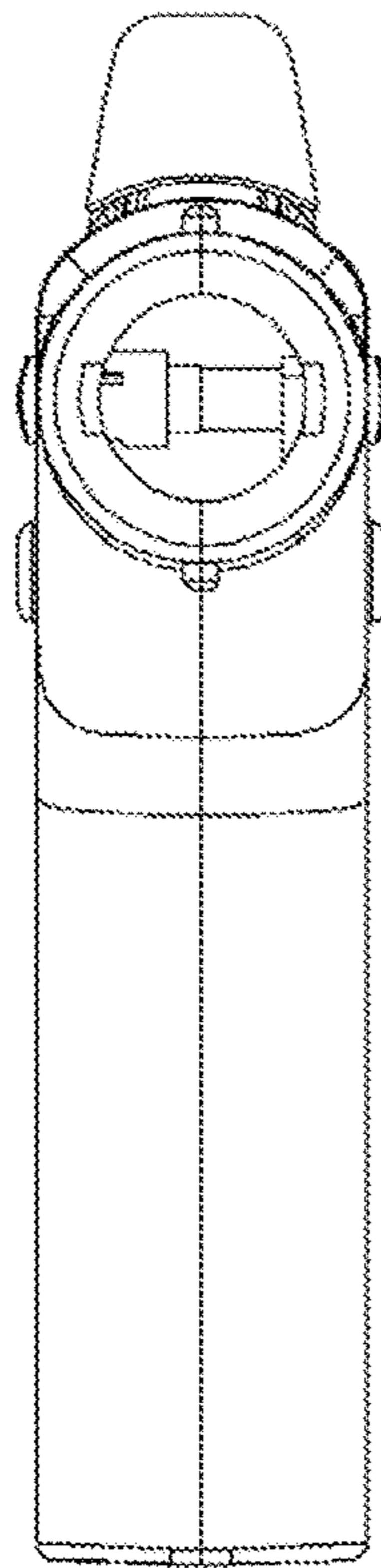
1 Claim, 8 Drawing Sheets



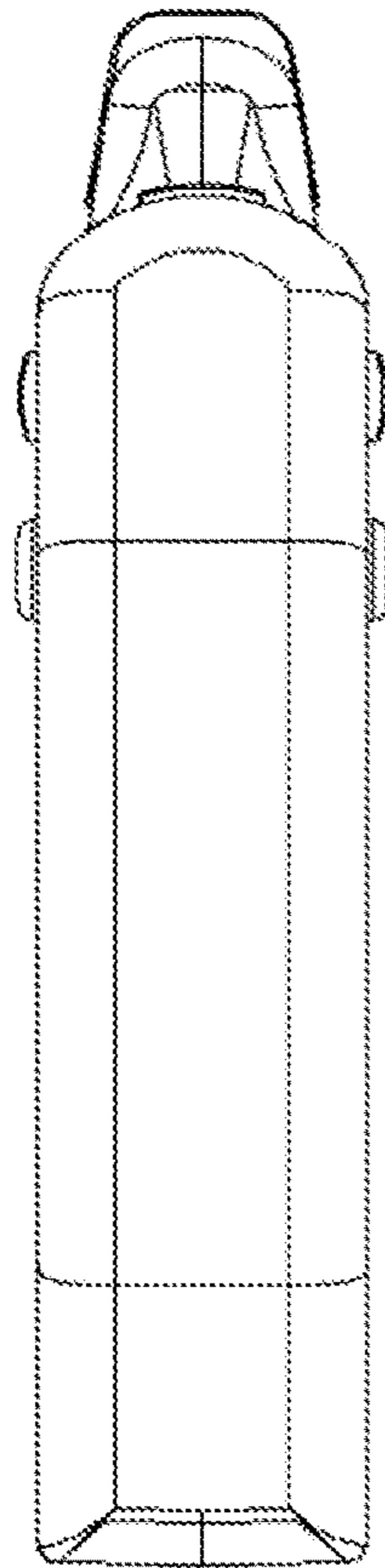
1.1



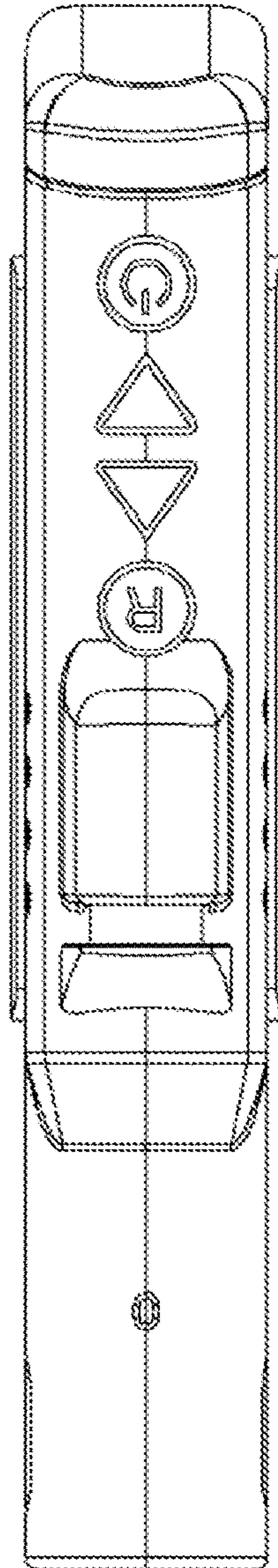
1.2



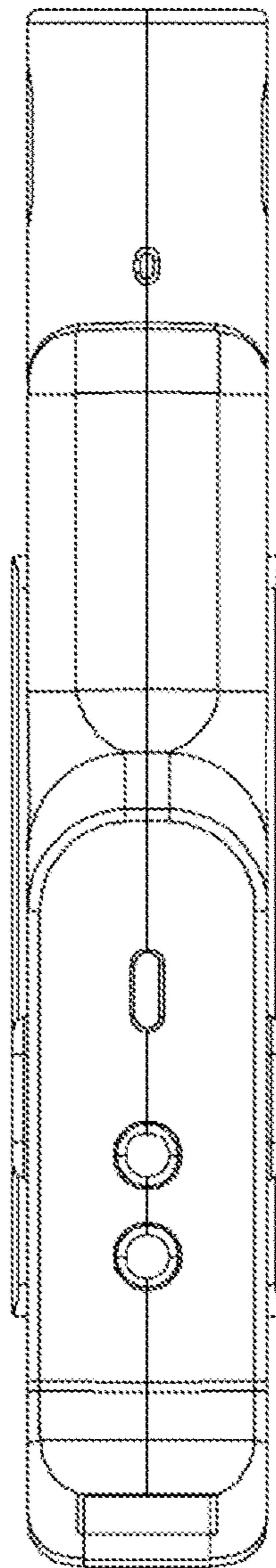
1.3



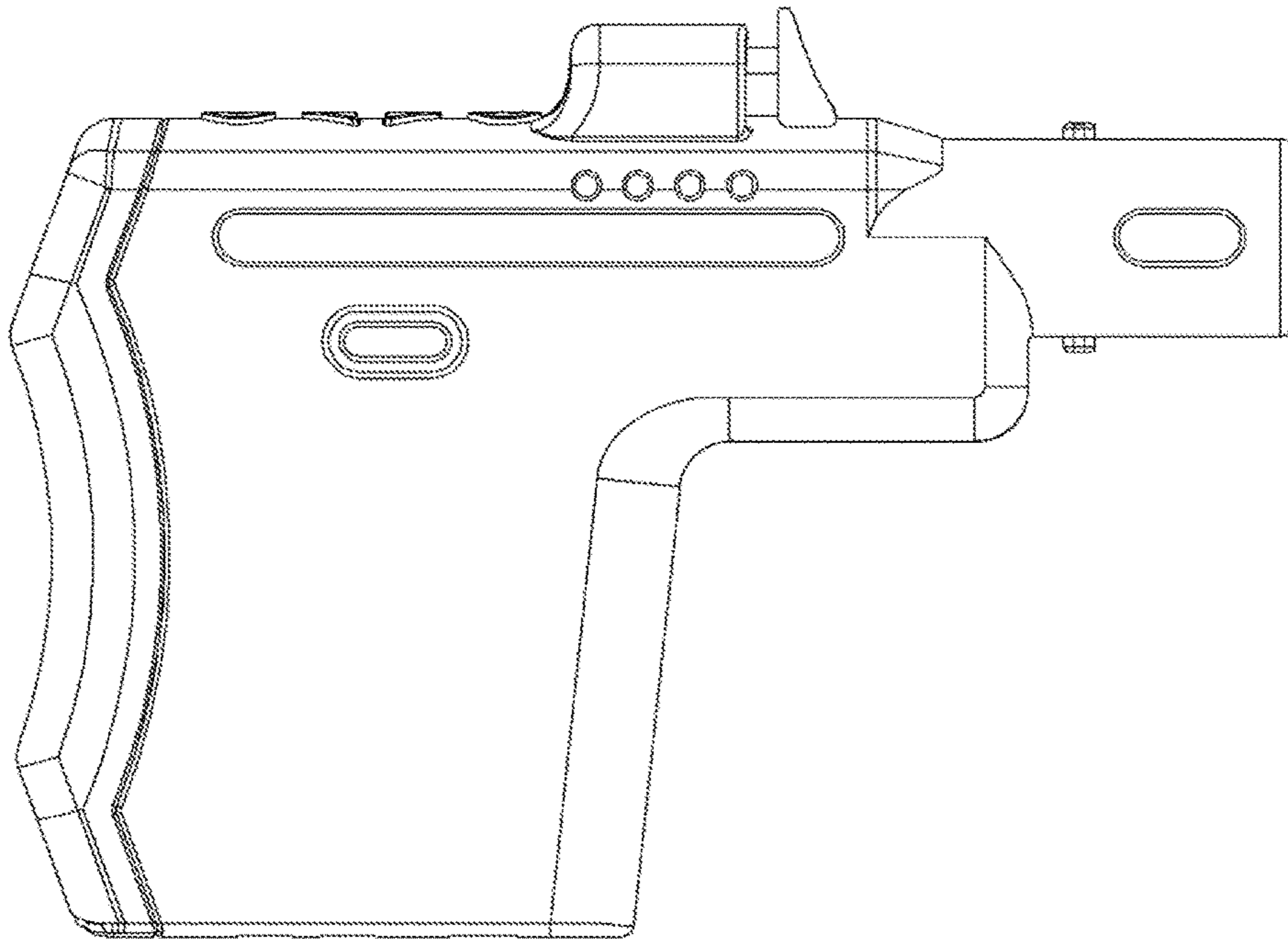
1.4



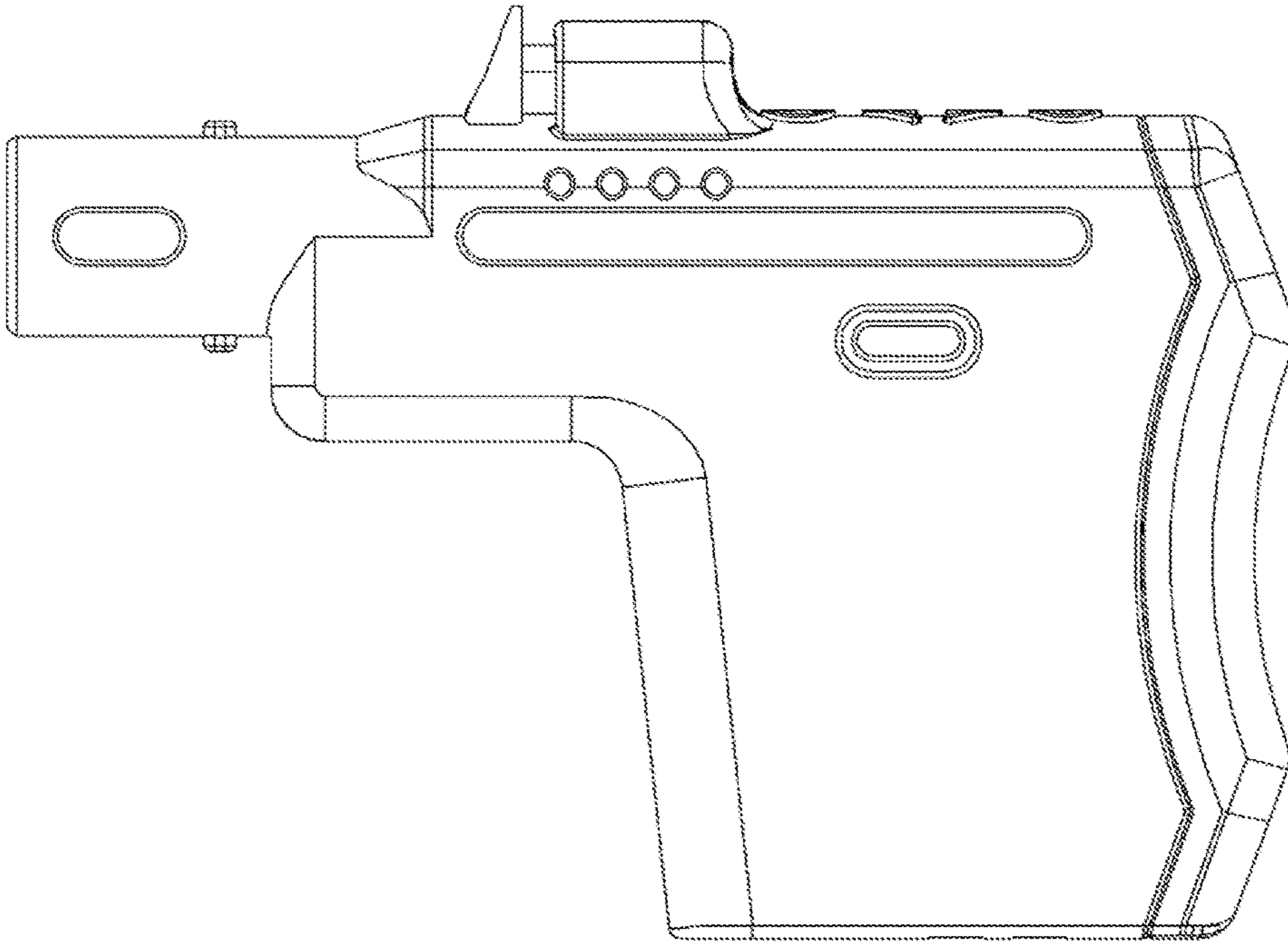
1.5



1.6



1.7



1.8

