



US00D836191S

(12) **United States Design Patent**
Kheradpir et al.

(10) **Patent No.:** **US D836,191 S**

(45) **Date of Patent:** **** Dec. 18, 2018**

(54) **SUCTION TOOL HANDLE**

(71) Applicants: **Leila Kheradpir**, Toronto (CA); **Kyle Richard Dupont**, Toronto (CA); **Jakub Jankowski**, Toronto (CA); **Suman Uthayanathan**, Toronto (CA)

(72) Inventors: **Leila Kheradpir**, Toronto (CA); **Kyle Richard Dupont**, Toronto (CA); **Jakub Jankowski**, Toronto (CA); **Suman Uthayanathan**, Toronto (CA)

(73) Assignee: **SYNAPTIVE MEDICAL (Barbados) Inc.**, Bridgetown (BB)

(**) Term: **15 Years**

(21) Appl. No.: **29/588,347**

(22) Filed: **Dec. 20, 2016**

(51) **LOC (11) Cl.** **24-02**

(52) **U.S. Cl.**
USPC **D24/112**

(58) **Field of Classification Search**
USPC D24/108, 112, 114, 127, 128, 129, 130, D24/133, 141, 146, 147, 152, 186, 214, D24/215; D8/93, 97, 300, 310, 311; D23/223, 262
CPC A61B 1/00094; A61M 2005/1583; A61M 2005/1586; A61M 2005/3277; A61M 5/158; A61M 5/1582; A61M 5/3243
See application file for complete search history.

(56) **References Cited**

U.S. PATENT DOCUMENTS

D120,495 S * 5/1940 Wilson D23/262
2,975,983 A * 3/1961 Niebling F16K 17/162
137/68.23

D275,316 S * 8/1984 Hayes D23/262
D317,967 S * 7/1991 Pelletier D23/223
D498,844 S * 11/2004 Diamond D24/130
D619,247 S * 7/2010 Loe, Jr. D24/130
8,177,770 B2 * 5/2012 Rasmussen A61M 25/0097
604/523
D694,879 S * 12/2013 Julian D24/113
D726,906 S * 4/2015 Reed D24/130
D750,223 S * 2/2016 Andino D24/112
D751,195 S * 3/2016 Lai D24/133
D755,368 S * 5/2016 Efinger D24/112
D757,253 S * 5/2016 Efinger D24/112
D780,297 S * 2/2017 Ray D23/262

* cited by examiner

Primary Examiner — Sheryl Lane

Assistant Examiner — Calvin E Vansant

(74) *Attorney, Agent, or Firm* — Perry + Currier Inc.

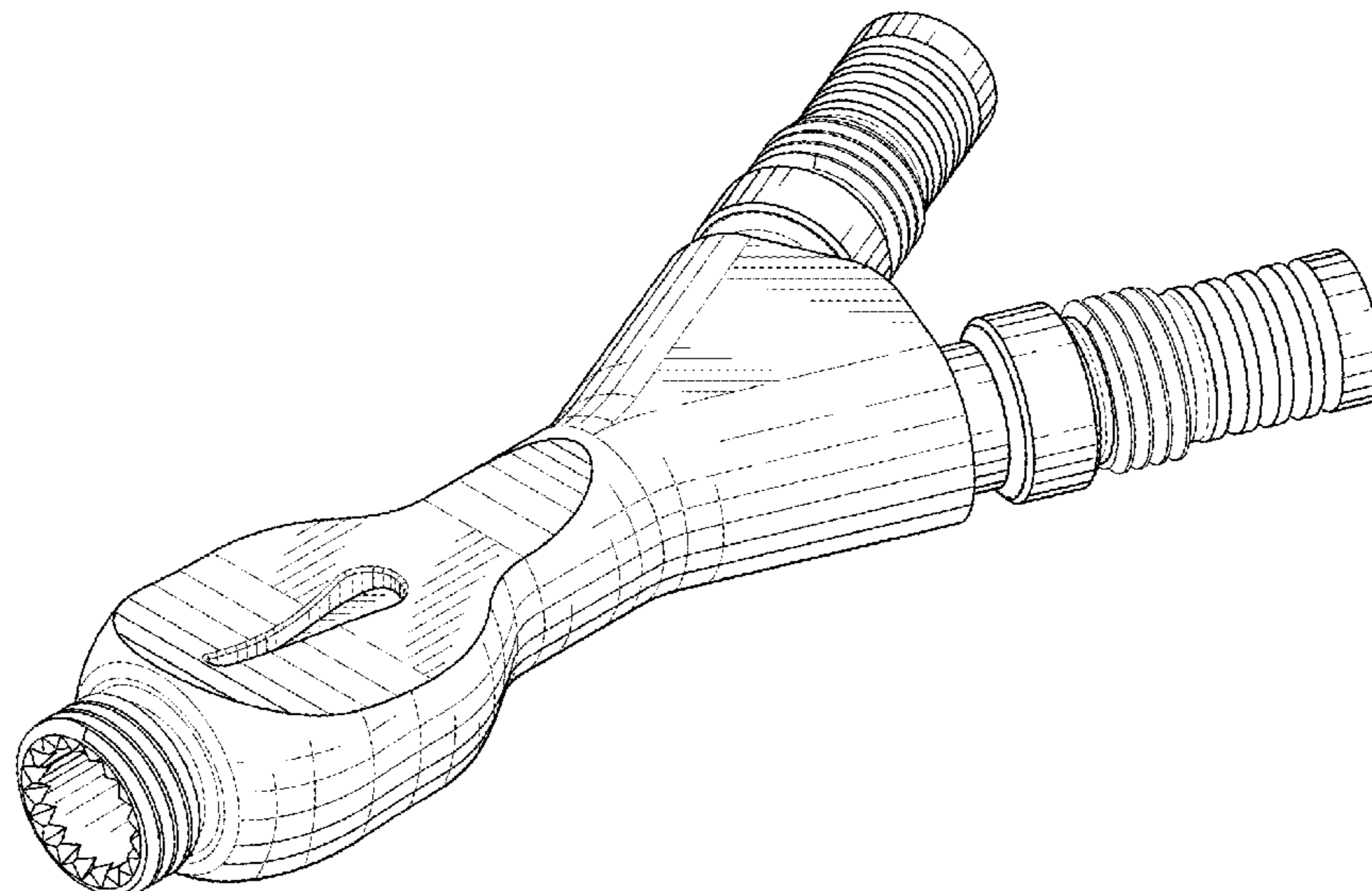
(57) **CLAIM**

We claim the ornamental design for a suction tool handle, as shown and described.

DESCRIPTION

FIG. 1 is a front perspective view of a suction tool handle, showing our new design;
FIG. 2 is a top perspective view thereof;
FIG. 3 is a right side elevation view thereof;
FIG. 4 is a bottom perspective view thereof;
FIG. 5 is a top plan view thereof;
FIG. 6 is a back plan view thereof;
FIG. 7 is a back perspective view thereof; and,
FIG. 8 is a front perspective view of the suction tool handle assembled on a suction tool.
The dashed broken lines depict portions of the suction tool handle that form no part of the claim.

1 Claim, 8 Drawing Sheets



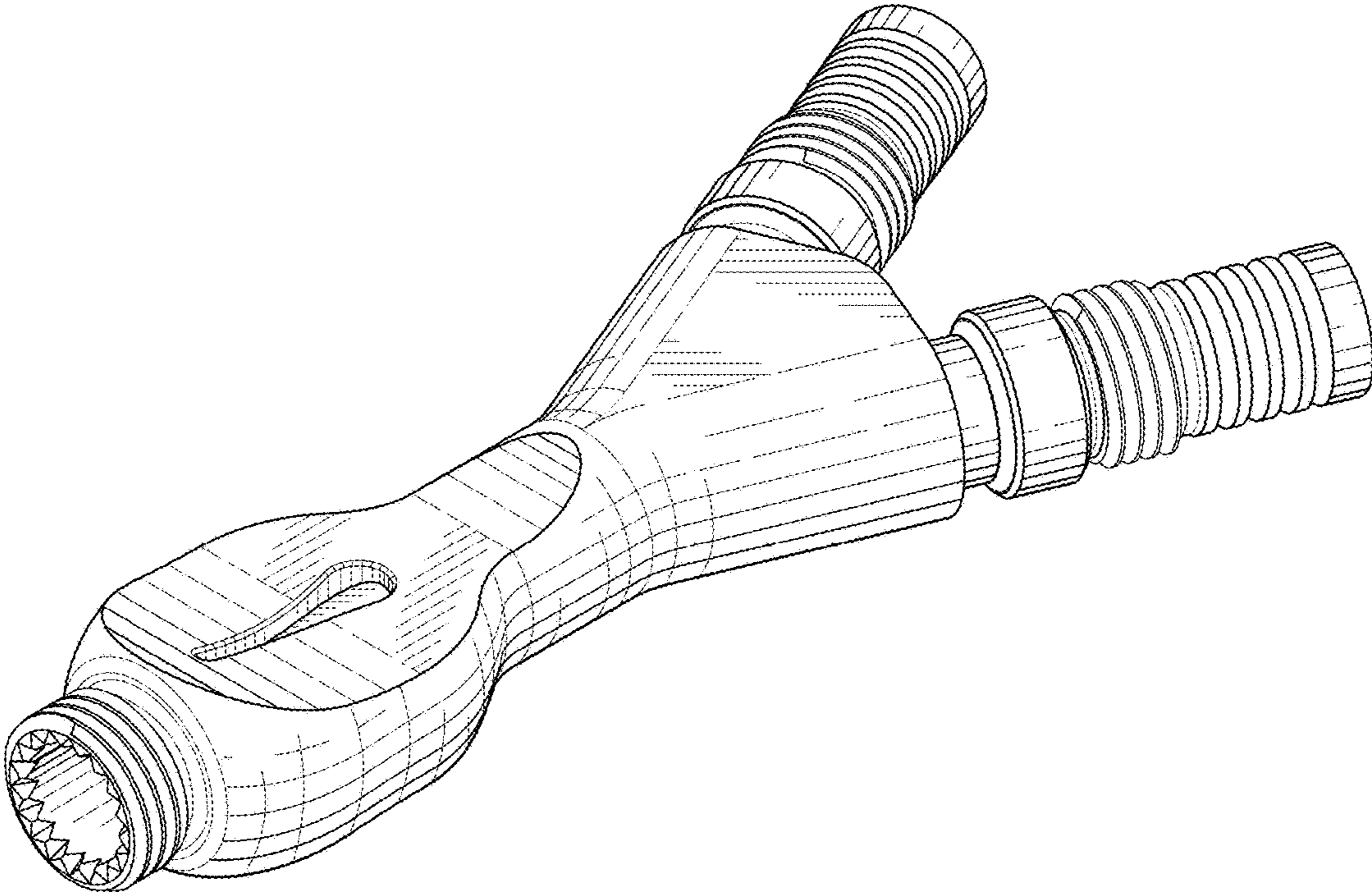


FIG.1

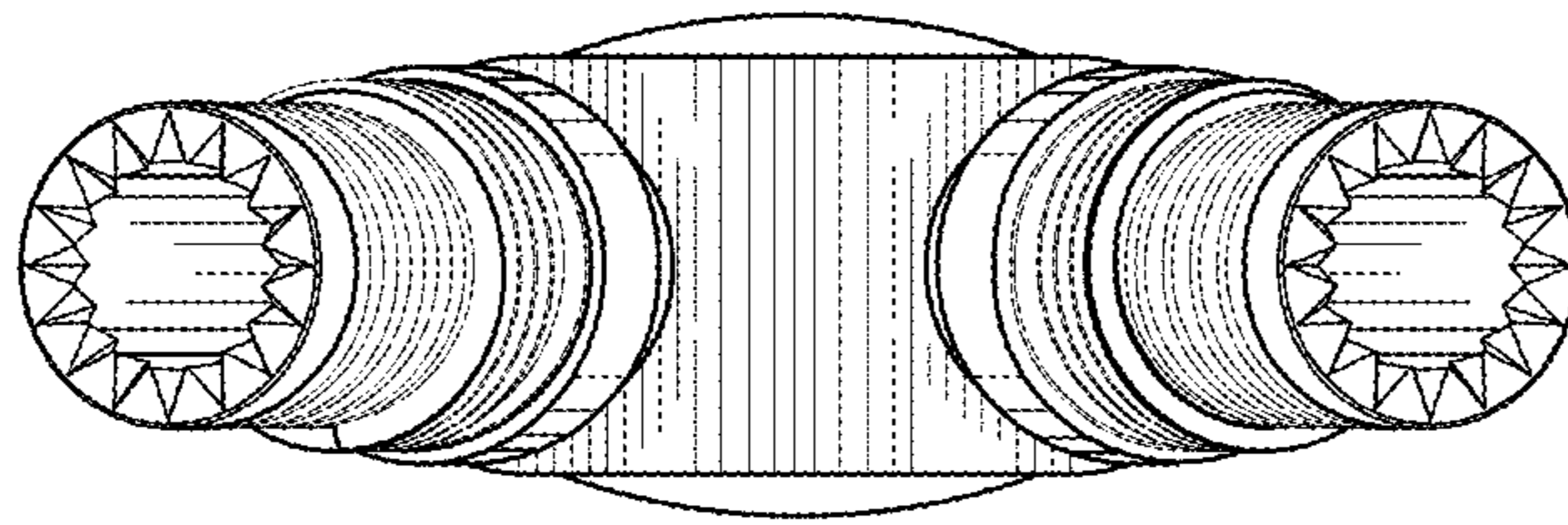


FIG.2

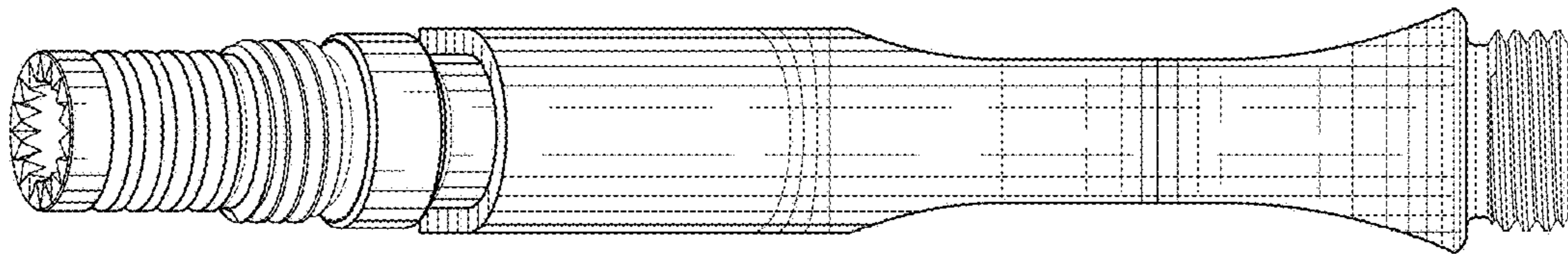


FIG.3

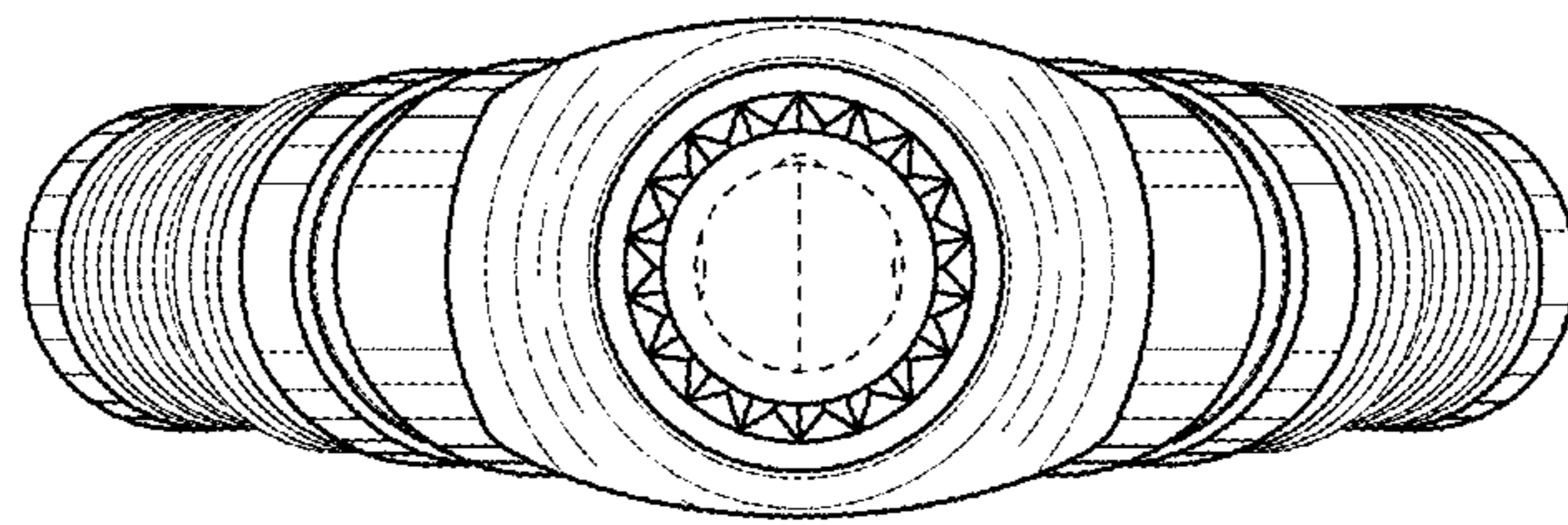


FIG.4

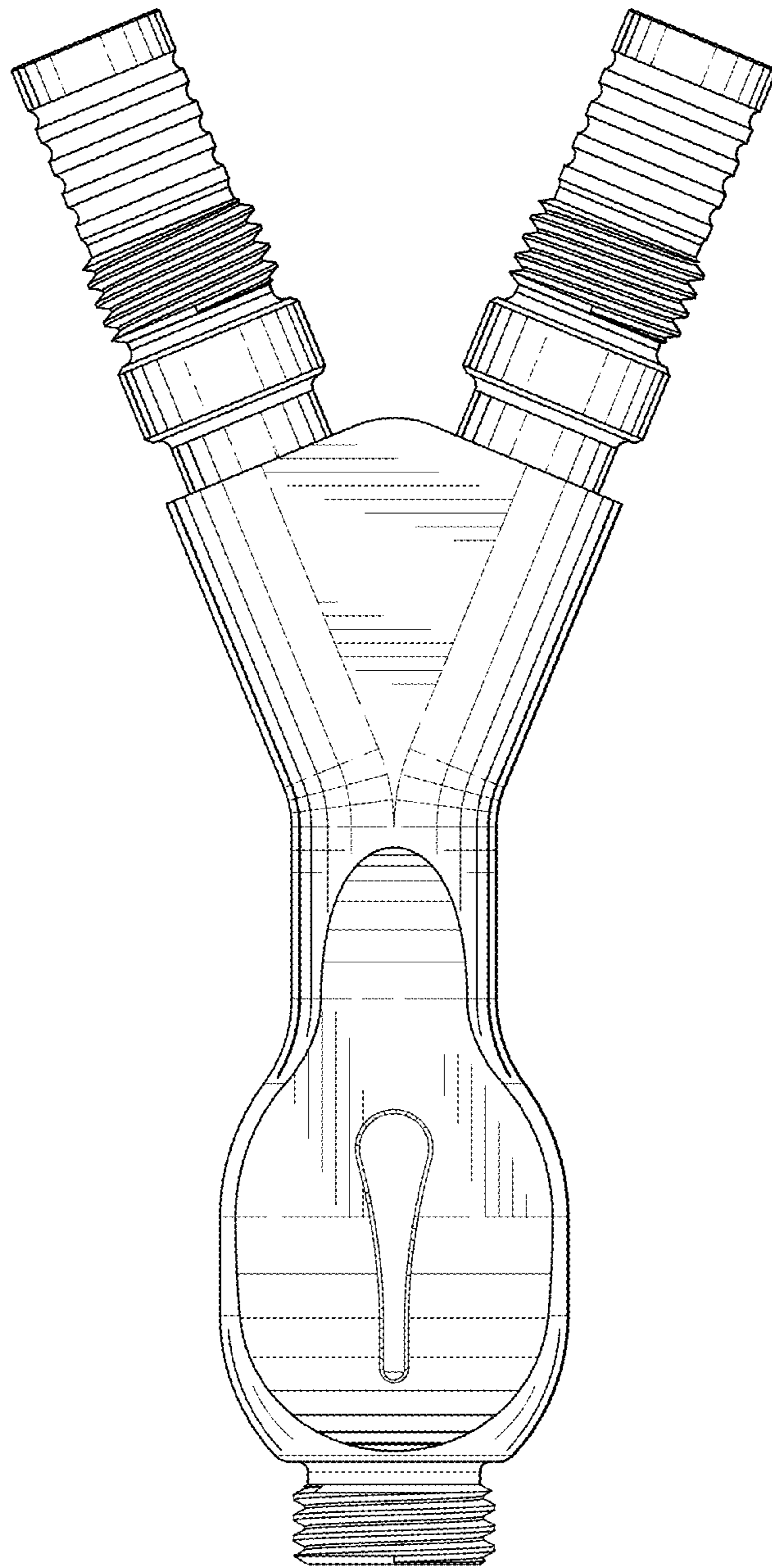


FIG.5

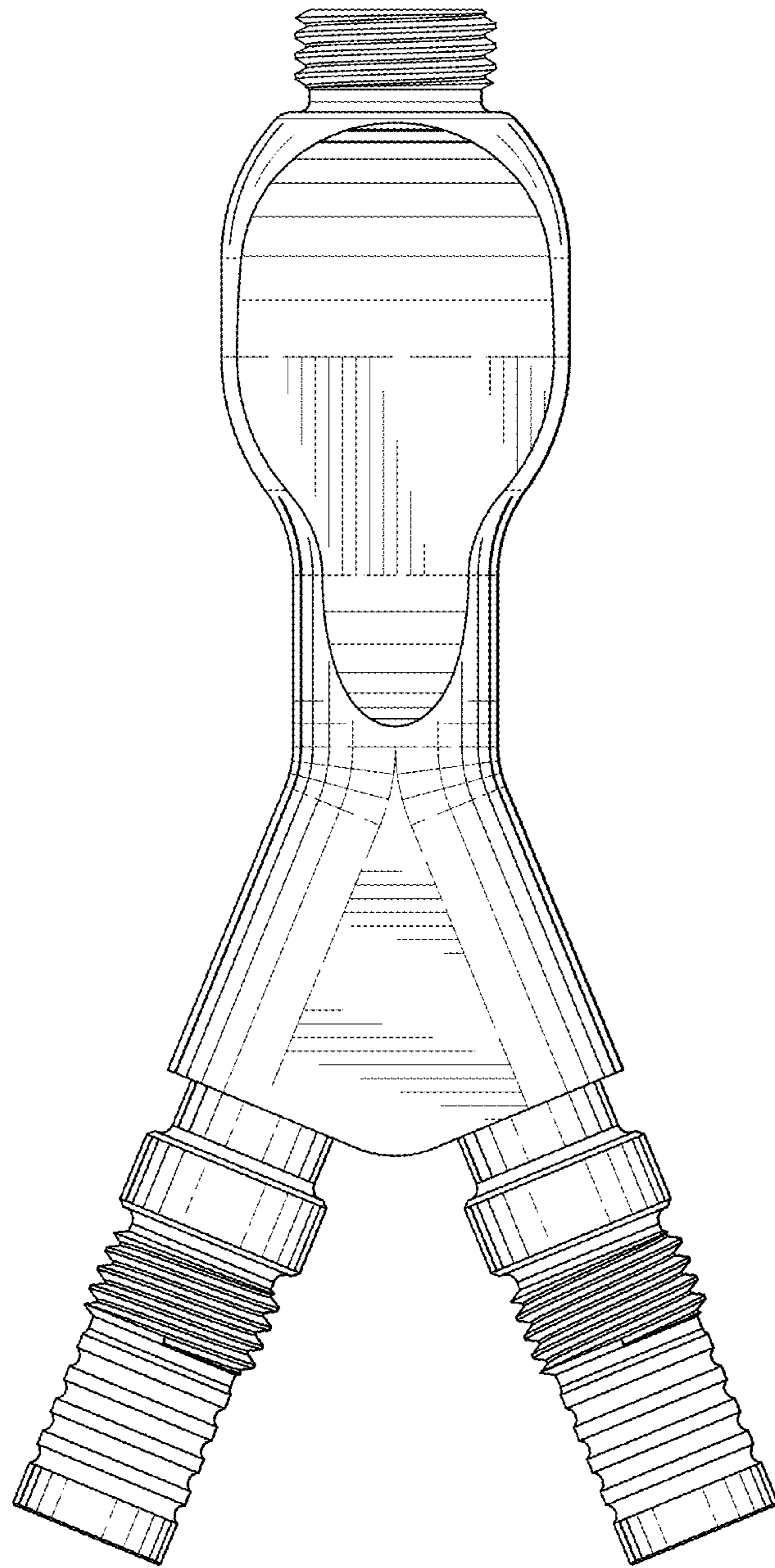


FIG.6

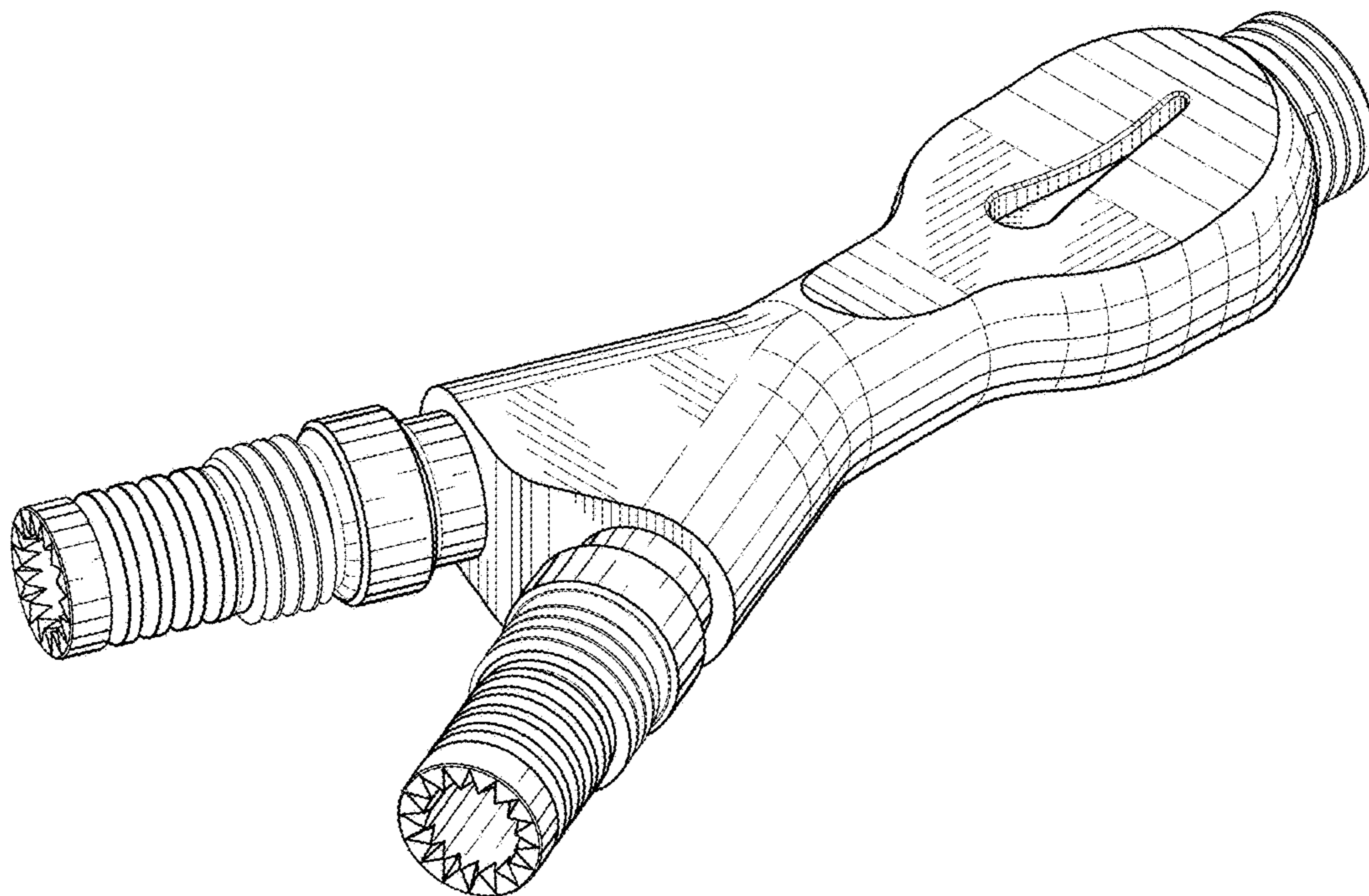


FIG.7

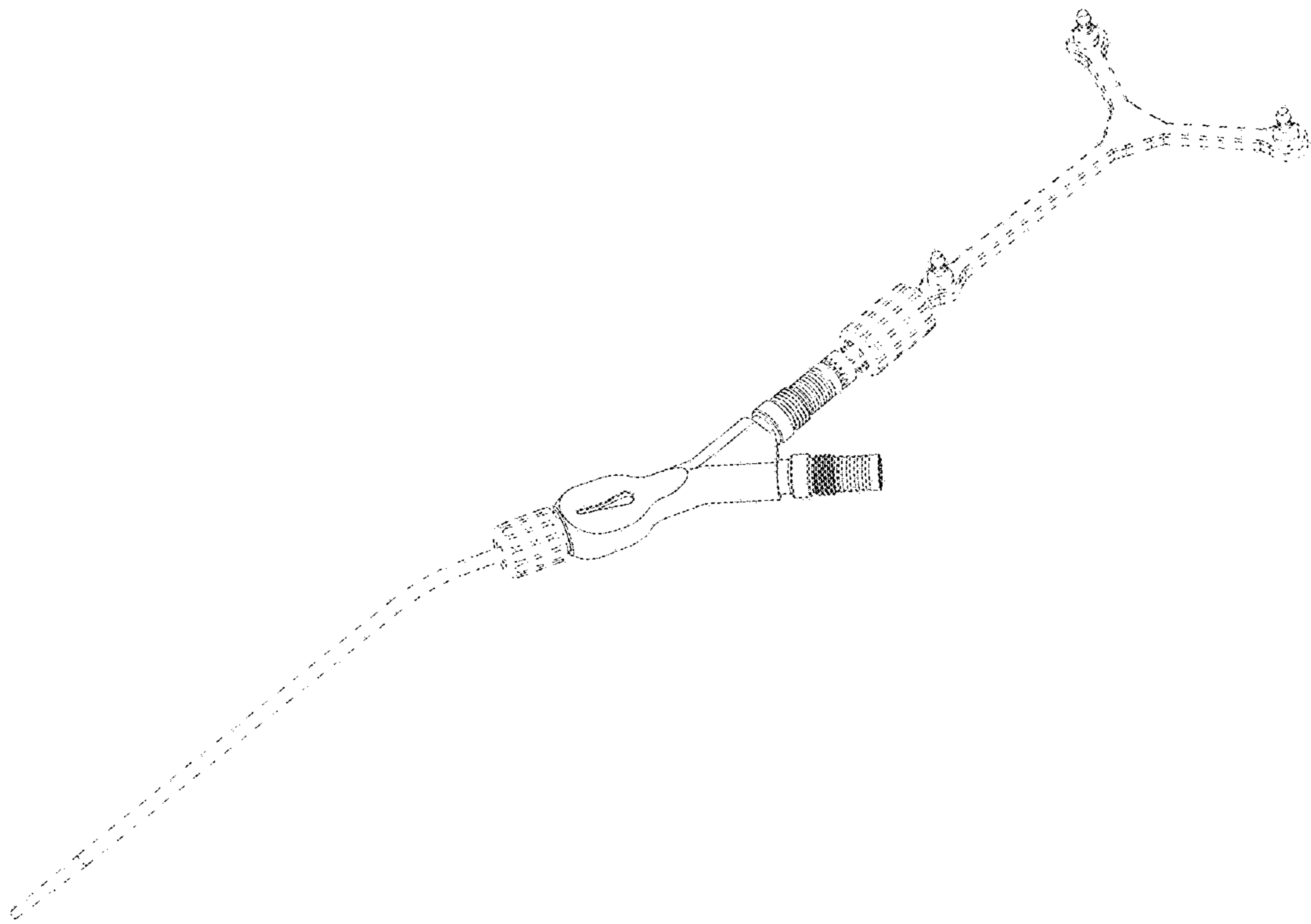


FIG. 8