

US00D836190S

(12) **United States Design Patent** (10) **Patent No.:** **US D836,190 S**
Evans et al. (45) **Date of Patent:** **** Dec. 18, 2018**

(54) **DRY POWDER INHALER**

(71) Applicant: **Philip Morris Products S.A.**,
Neuchatel (CH)

(72) Inventors: **Tim Evans**, Cambridge (GB); **T L Six Wu**, London (GB); **Stefanie Kubanek**,
Munich (DE)

(73) Assignee: **PHILIP MORRIS PRODUCTS S.A.**,
Neuchatel (CH)

(**) Term: **15 Years**

(21) Appl. No.: **29/570,381**

(22) Filed: **Jul. 7, 2016**

(51) **LOC (11) Cl.** **29-02**

(52) **U.S. Cl.**
USPC **D24/110**

(58) **Field of Classification Search**
USPC D24/107, 108, 110, 110.5, 111, 113, 127,
D24/164; D27/162–165, 167, 169–170
CPC A61M 15/00; A61M 15/0065; A61M
15/0091; A61M 15/0071; A61M 15/0026;
A61M 11/00; A61M 11/02; A61M 11/04;
A61M 15/0001; A61M 15/0068
See application file for complete search history.

(56) **References Cited**

U.S. PATENT DOCUMENTS

- 413,100 A * 10/1889 Smith A61M 15/00
128/203.23
D214,972 S * 8/1969 Katerndahl D24/110
(Continued)

Primary Examiner — Eric L Goodman
Assistant Examiner — Lilyana Bekic

(74) *Attorney, Agent, or Firm* — Mueting, Raasch and
Gebhardt, P.A.

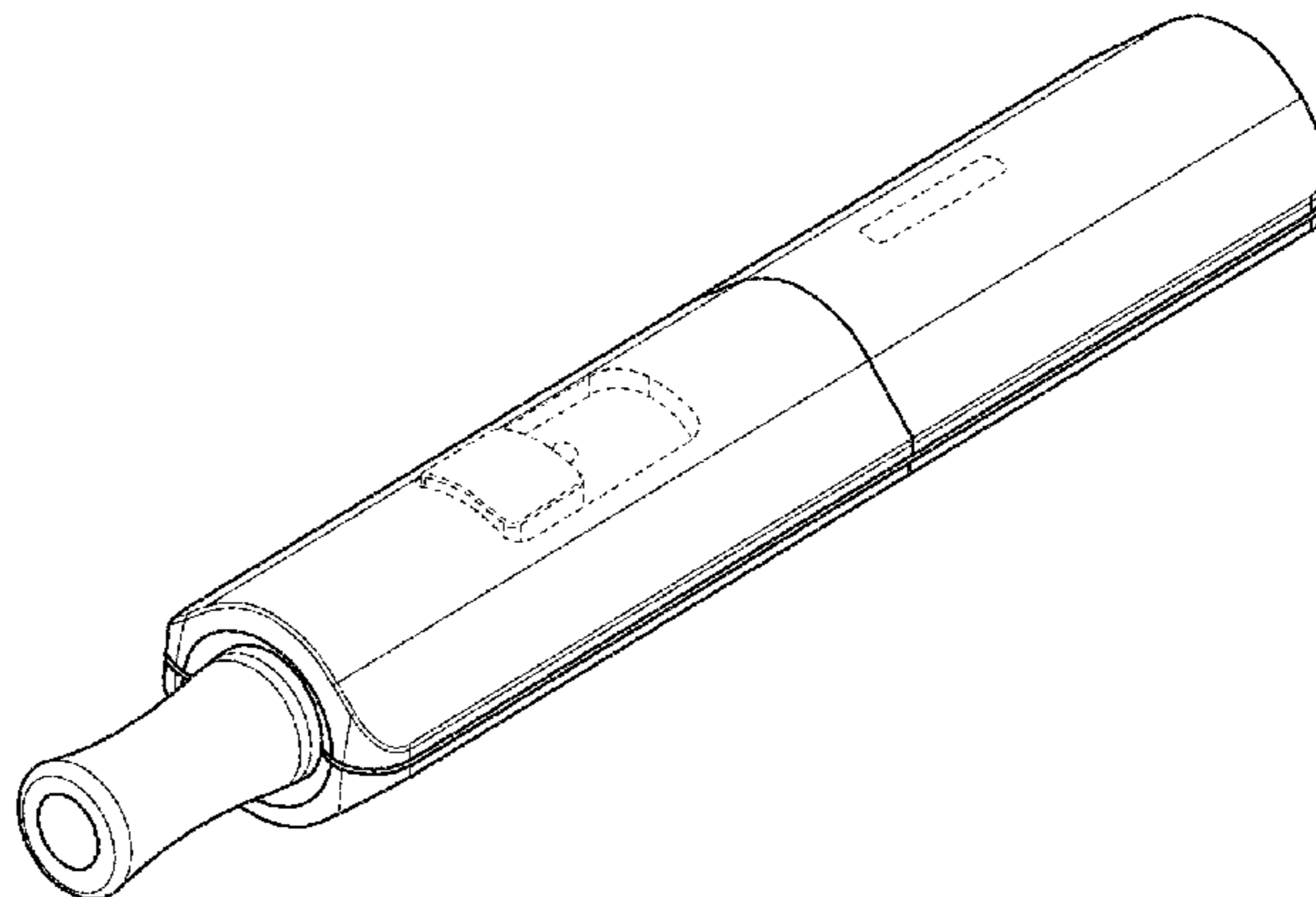
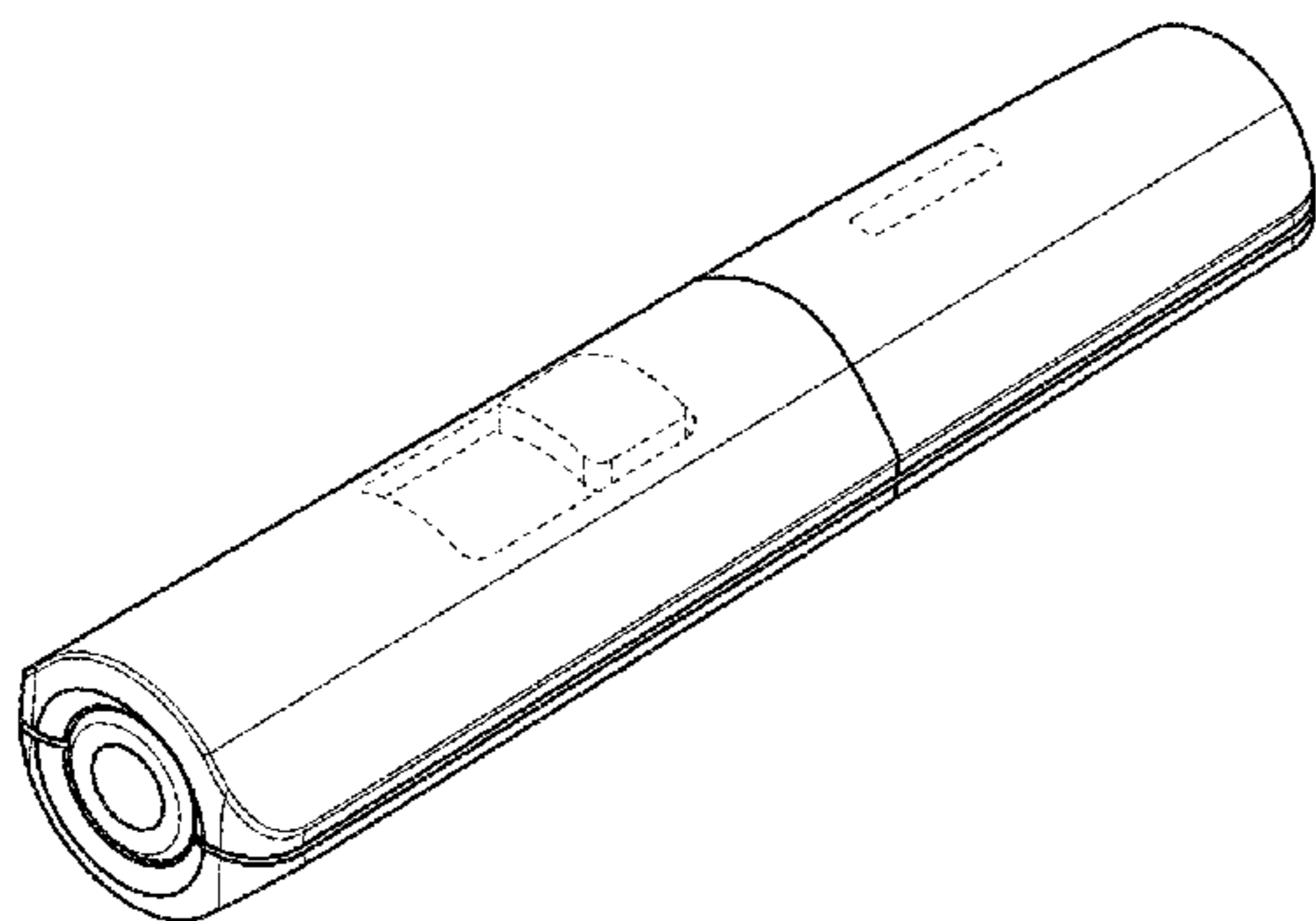
(57) **CLAIM**

We claim the ornamental design for a dry powder inhaler, as
shown and described.

DESCRIPTION

FIG. 1 is a front view of a dry powder inhaler with
mouthpiece retracted;
 FIG. 2 is a right view thereof with mouthpiece retracted;
 FIG. 3 is a left view thereof with mouthpiece retracted;
 FIG. 4 is a back view thereof with mouthpiece retracted;
 FIG. 5 is a top view thereof with mouthpiece retracted;
 FIG. 6 is a bottom view thereof with mouthpiece retracted;
 FIG. 7 is a top-front perspective view thereof with mouth-
piece retracted;
 FIG. 8 is a top-back perspective view thereof with mouth-
piece retracted;
 FIG. 9 is a bottom-front perspective view thereof with
mouthpiece retracted;
 FIG. 10 is a bottom-back perspective view thereof with
mouthpiece retracted;
 FIG. 11 is a front view thereof with mouthpiece extended;
 FIG. 12 is a right view thereof with mouthpiece extended;
 FIG. 13 is a left view thereof with mouthpiece extended;
 FIG. 14 is a back view thereof with mouthpiece extended;
 FIG. 15 is a top view thereof with mouthpiece extended;
 FIG. 16 is a bottom view thereof with mouthpiece extended;
 FIG. 17 is a top-front perspective view thereof with mouth-
piece extended;
 FIG. 18 is a top-back perspective view thereof with mouth-
piece extended;
 FIG. 19 is a bottom-front perspective view thereof with
mouthpiece extended; and,
 FIG. 20 is a bottom-back perspective view thereof with
mouthpiece extended.
 The broken lines in the drawings illustrate portions of the
dry powder inhaler that form no part of the claimed design.

1 Claim, 18 Drawing Sheets



(56)

References Cited

U.S. PATENT DOCUMENTS

3,565,071 A * 2/1971 Cobb A61M 15/00
 128/203.24
 D224,760 S * 9/1972 Chernack D27/170
 D681,038 S * 4/2013 Tomohiro D14/411
 D696,768 S * 12/2013 Karlsson D24/110.5
 D720,095 S * 12/2014 Alima D27/101
 D720,496 S * 12/2014 Alima D27/101
 D720,497 S * 12/2014 Alima D27/101
 D720,881 S * 1/2015 Liu D27/101
 D724,780 S * 3/2015 Wu D27/101
 D759,303 S * 6/2016 Afridi D27/101
 D776,869 S * 1/2017 Heidl D27/163
 2009/0025721 A1 * 1/2009 Ellwanger A61M 15/0028
 128/203.15
 2015/0090253 A1 * 4/2015 Farrow A24F 47/008
 128/200.14
 2015/0150305 A1 * 6/2015 Shenkal A24F 47/008
 131/329
 2016/0148539 A1 * 5/2016 Baker G09B 23/28
 434/262

* cited by examiner

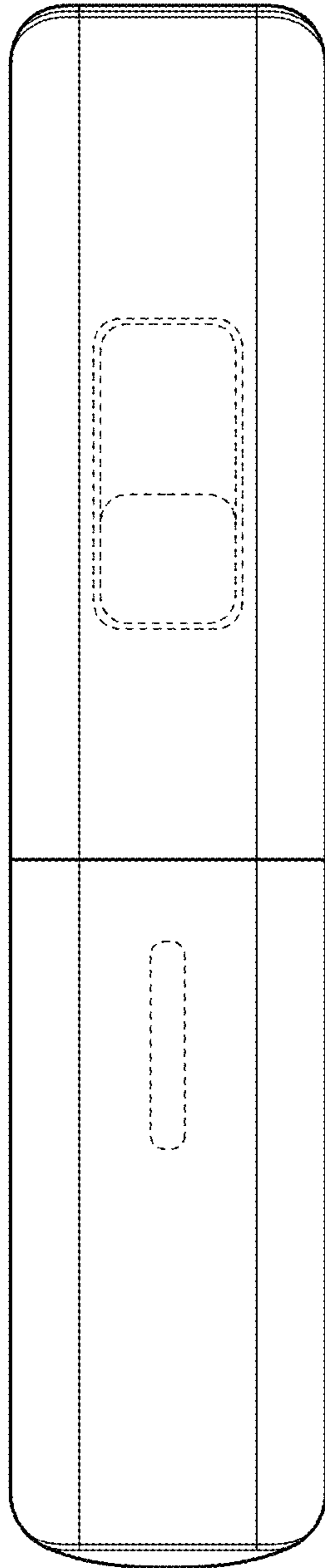


FIG. 1

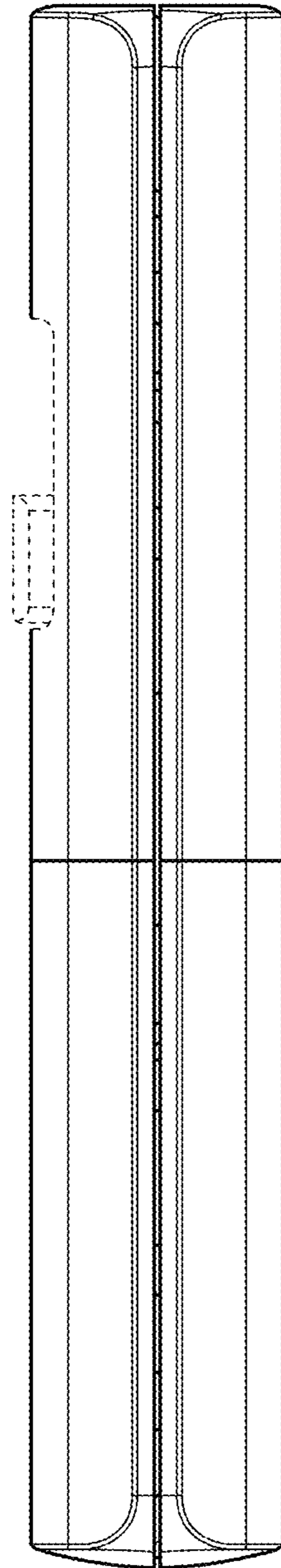


FIG. 2

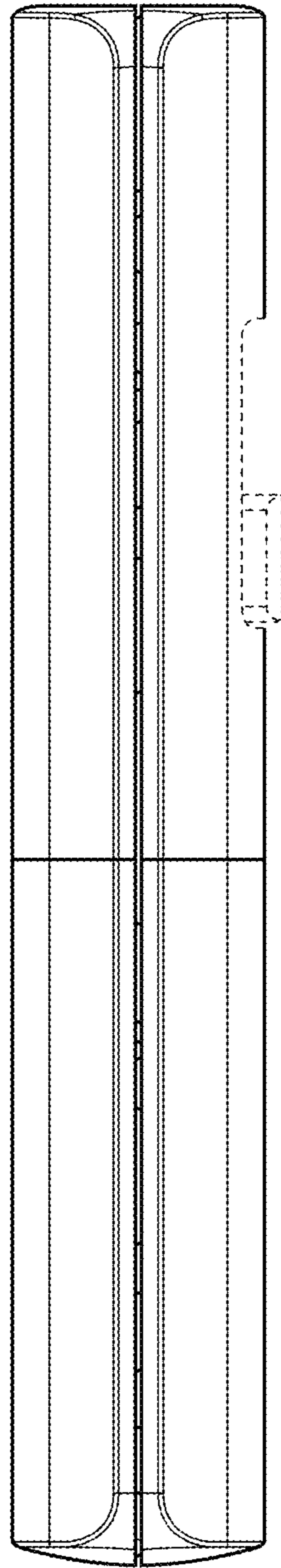


FIG. 3

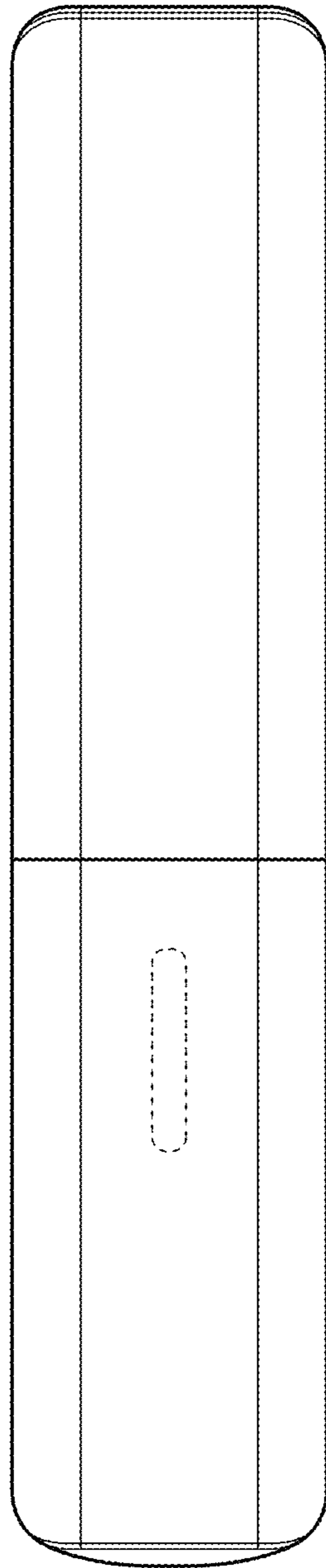


FIG. 4

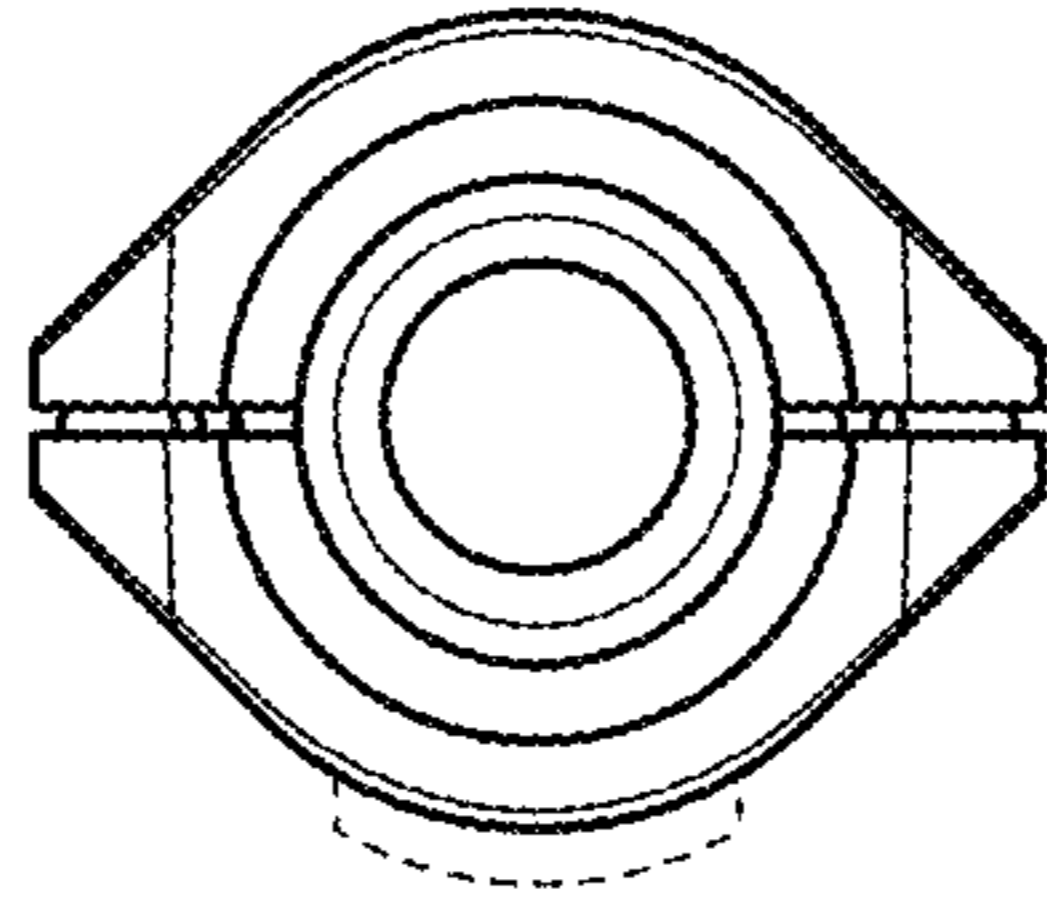


FIG. 5

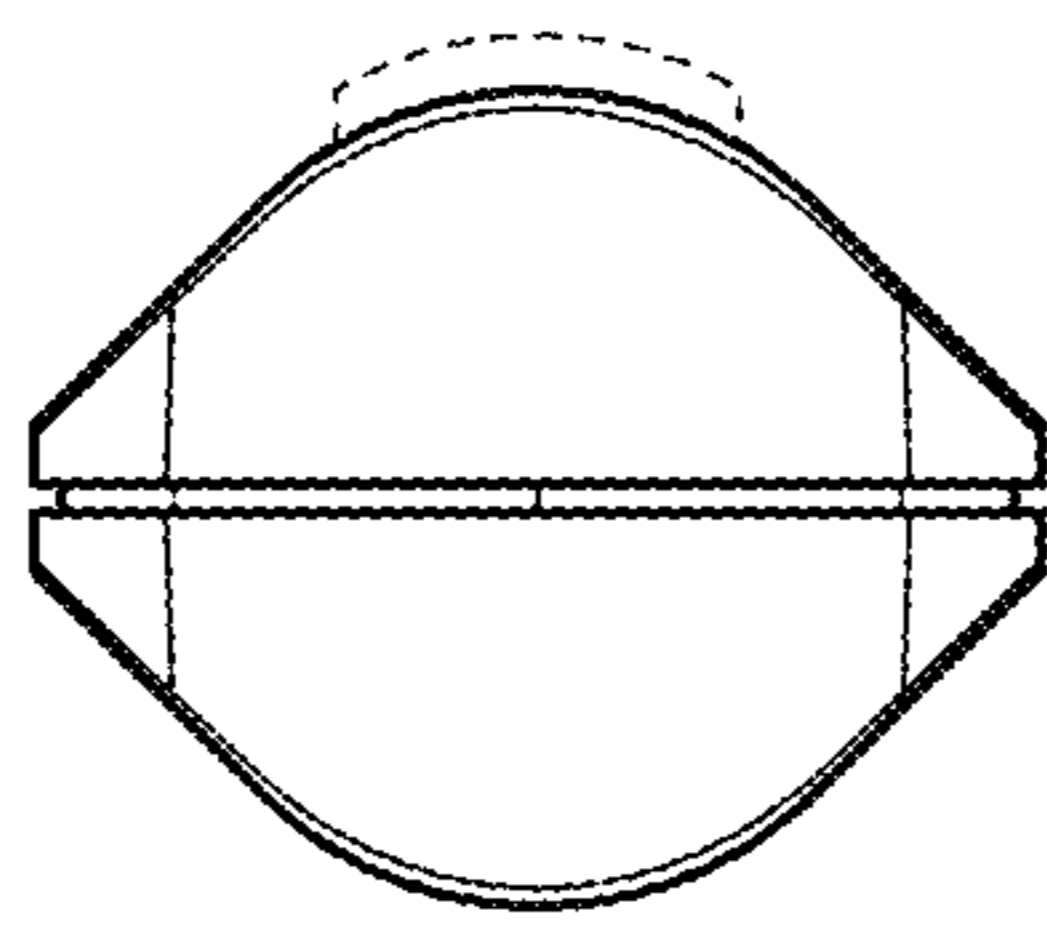


FIG. 6

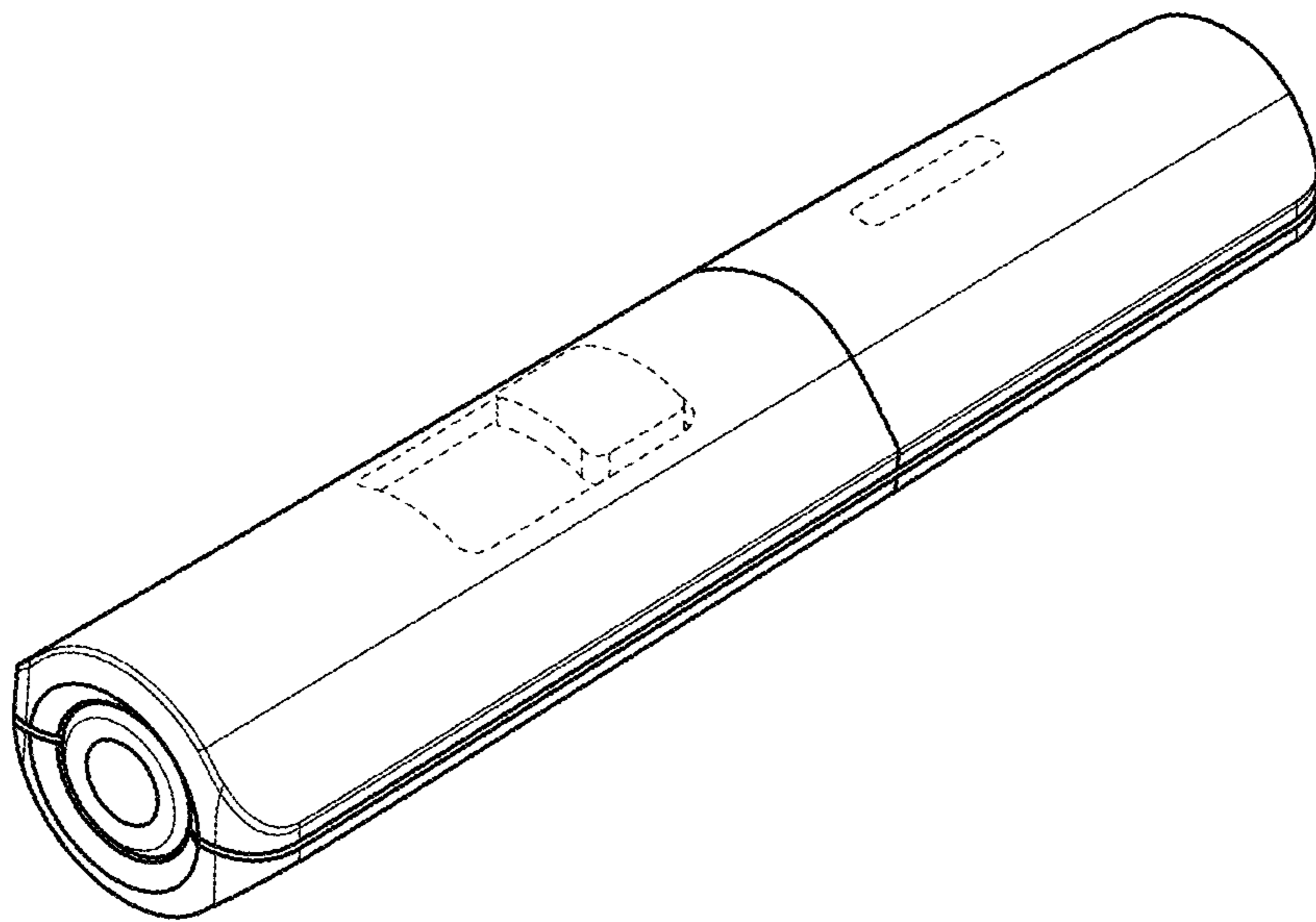


FIG. 7

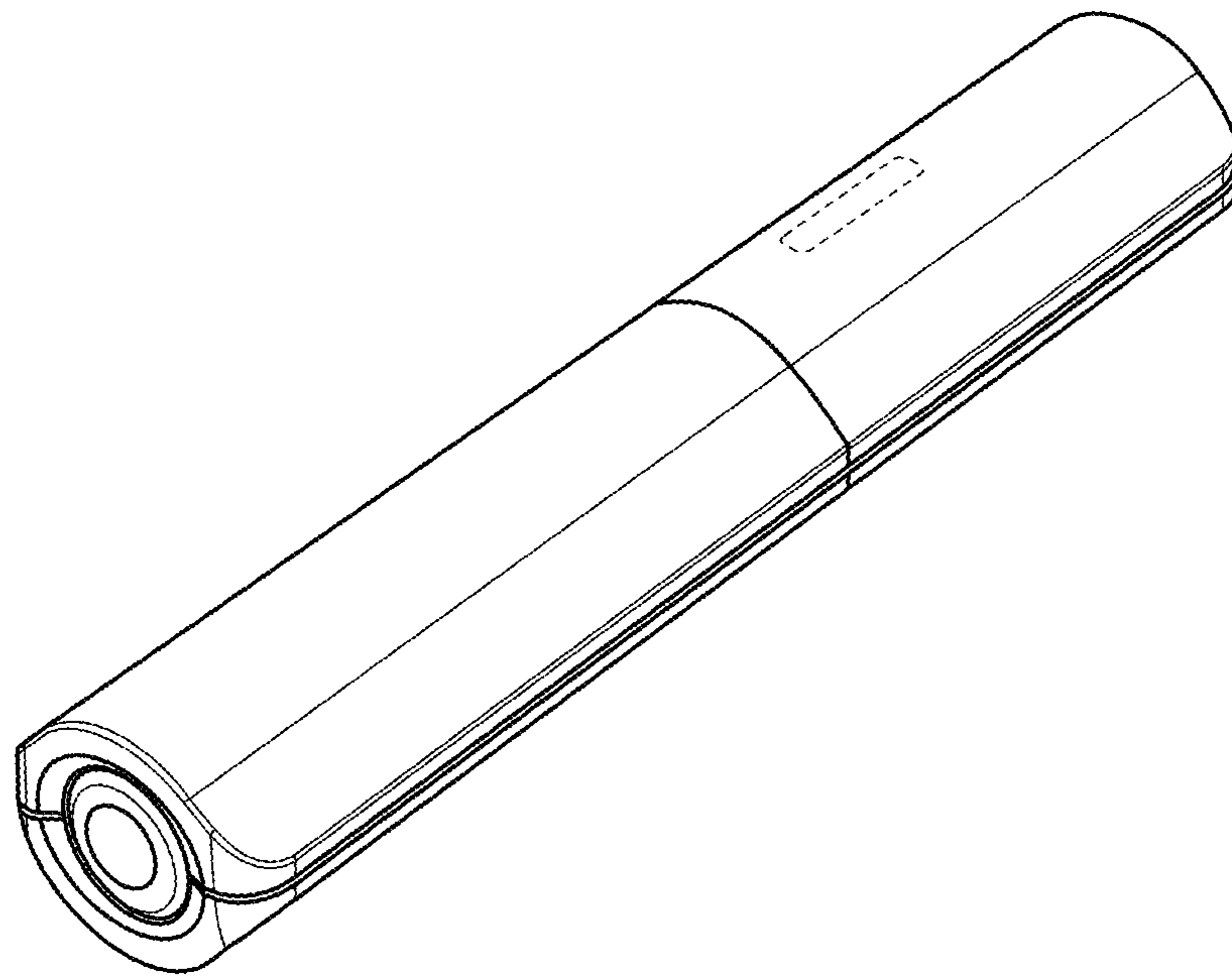


FIG. 8

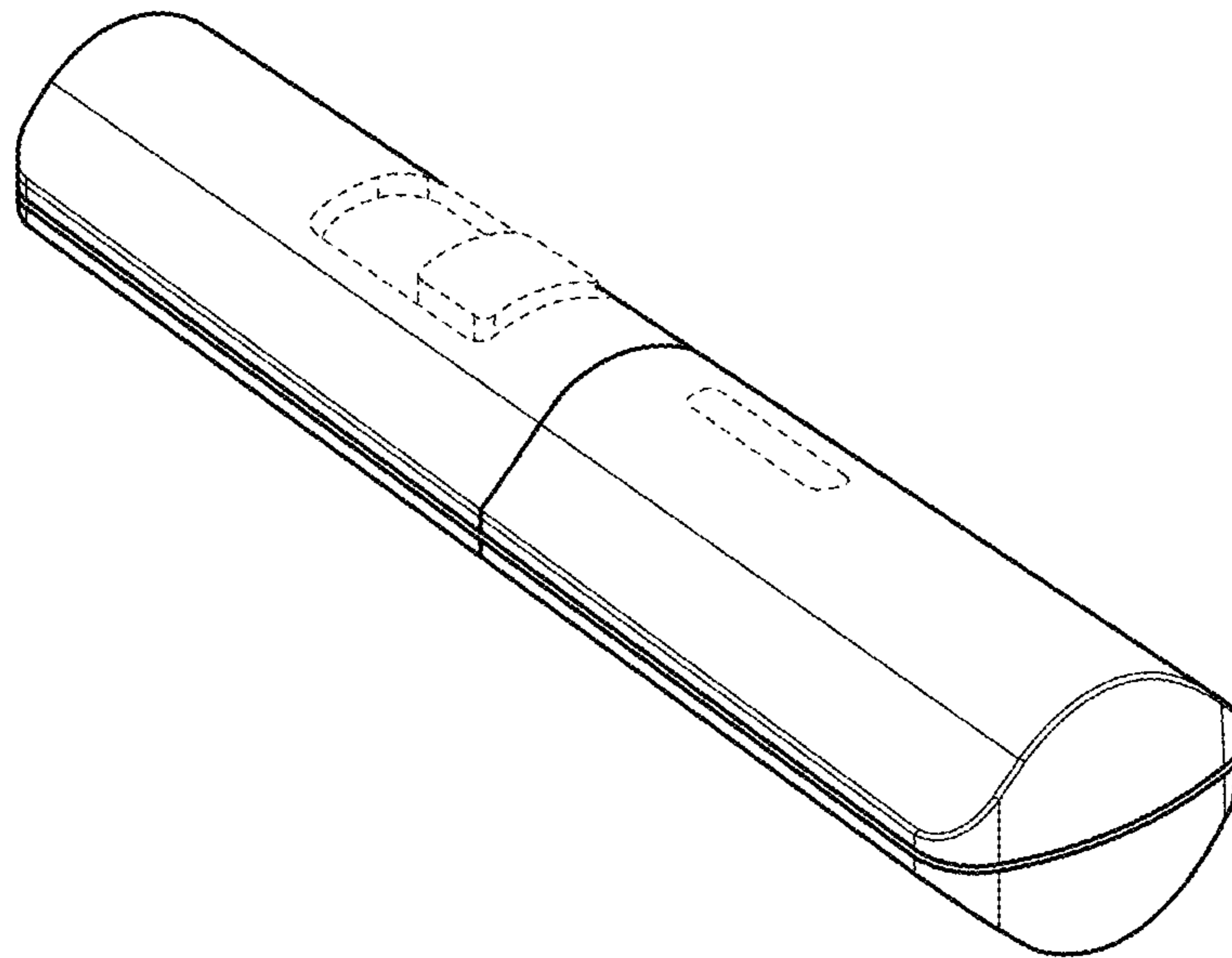


FIG. 9

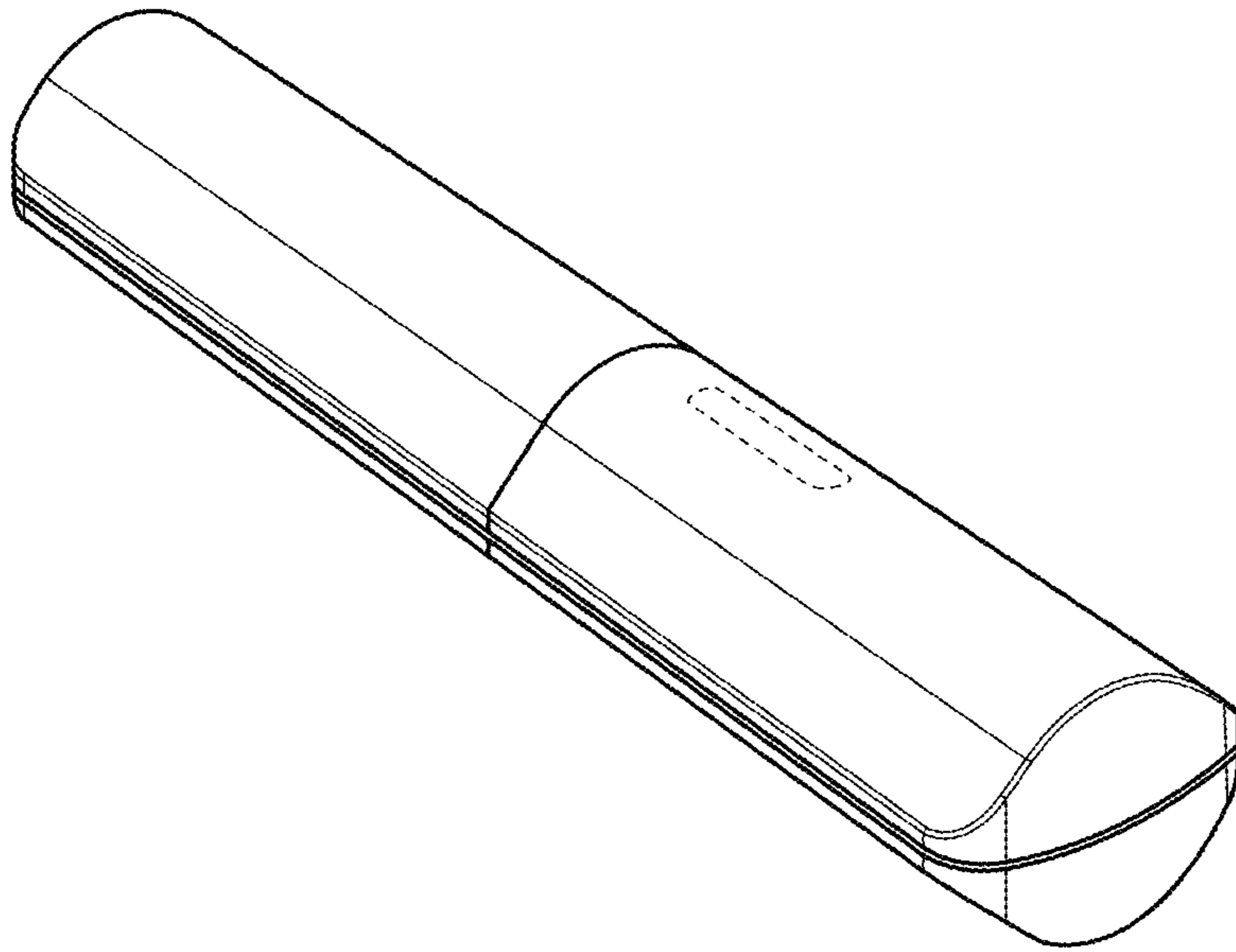


FIG. 10

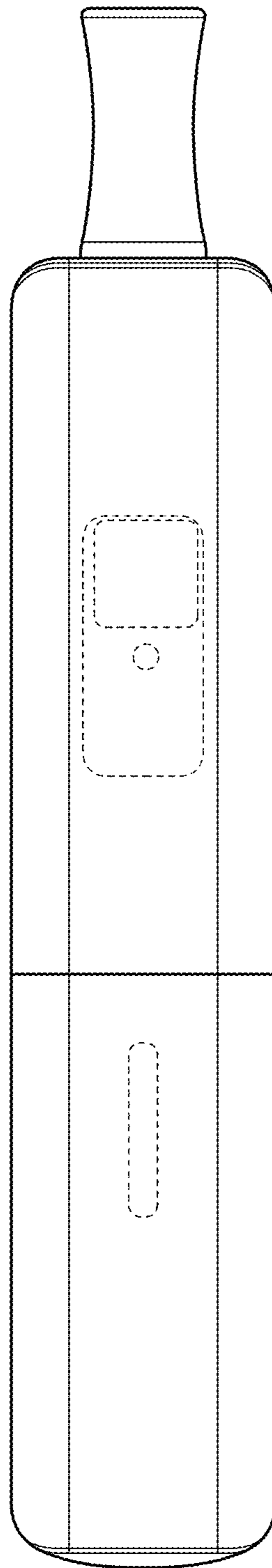


FIG. 11

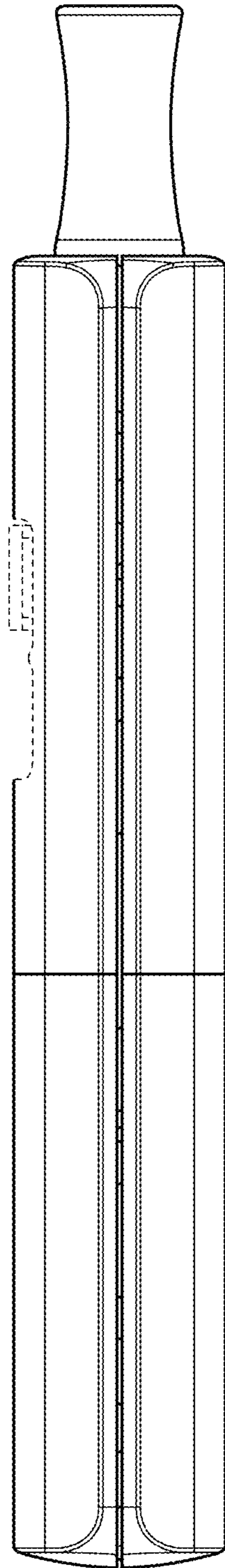


FIG. 12

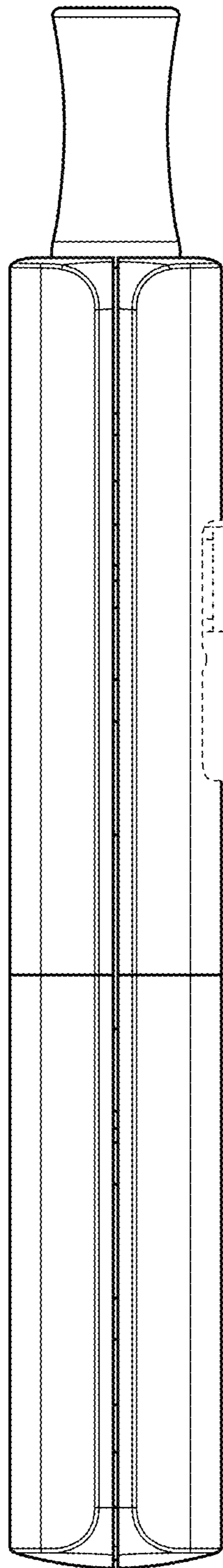


FIG. 13

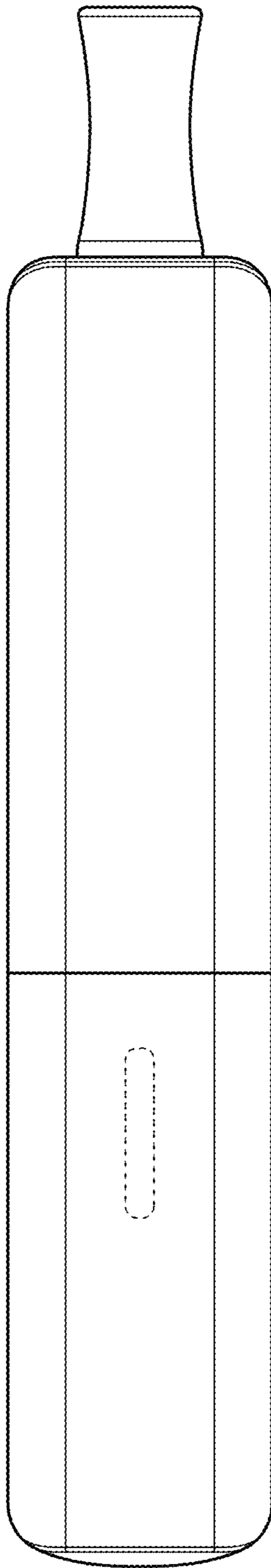


FIG. 14

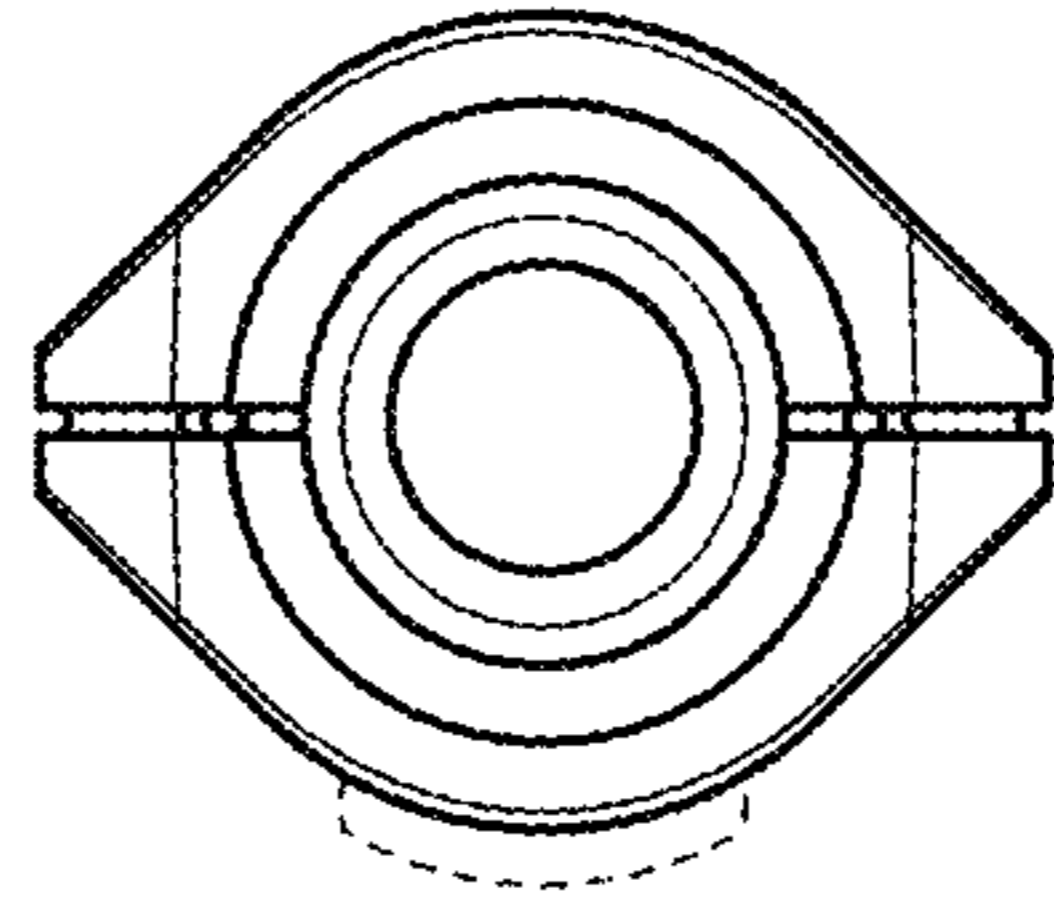


FIG. 15

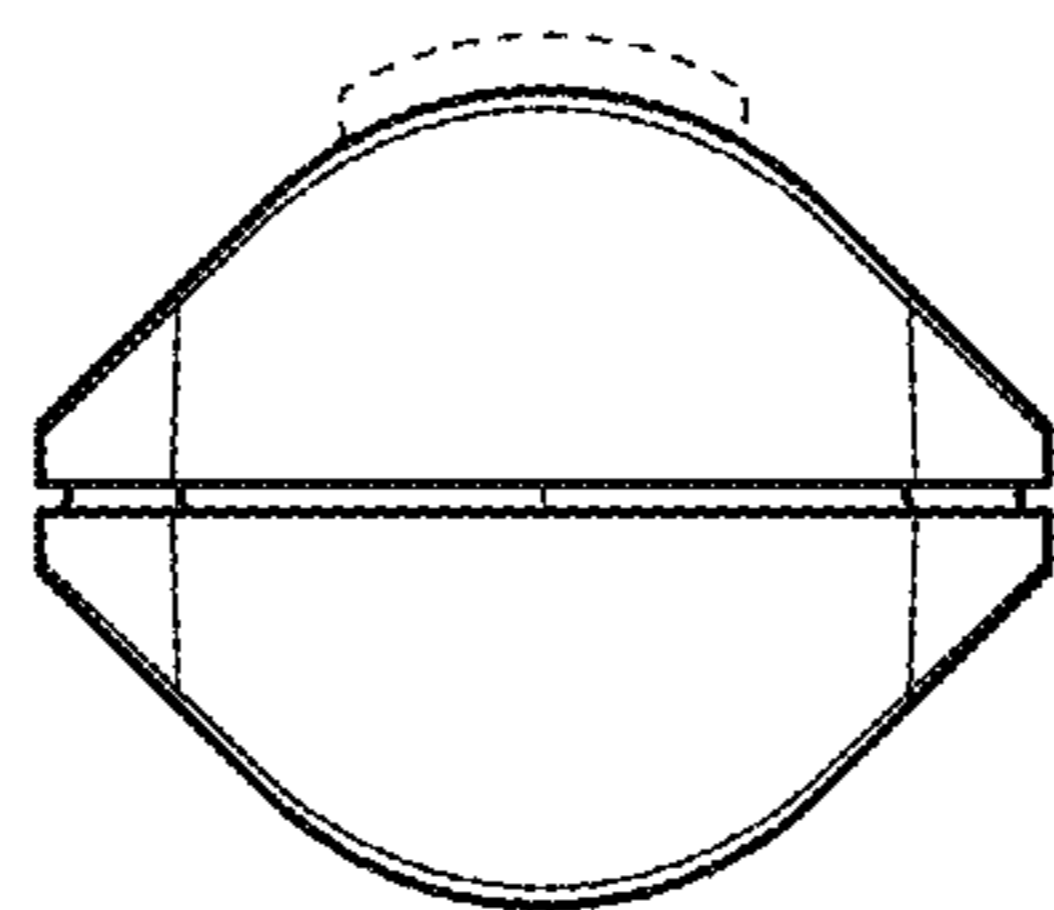


FIG. 16

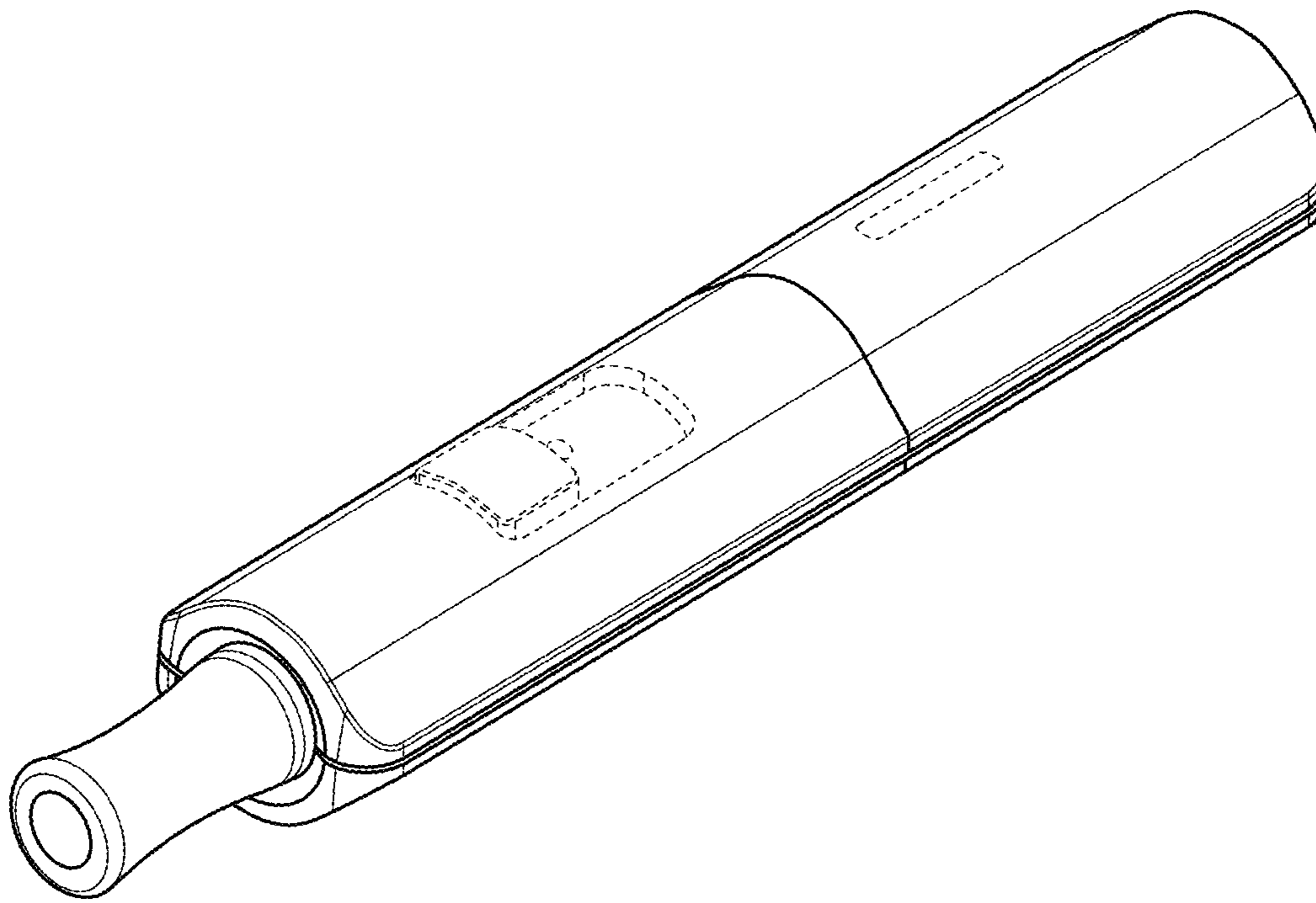


FIG. 17

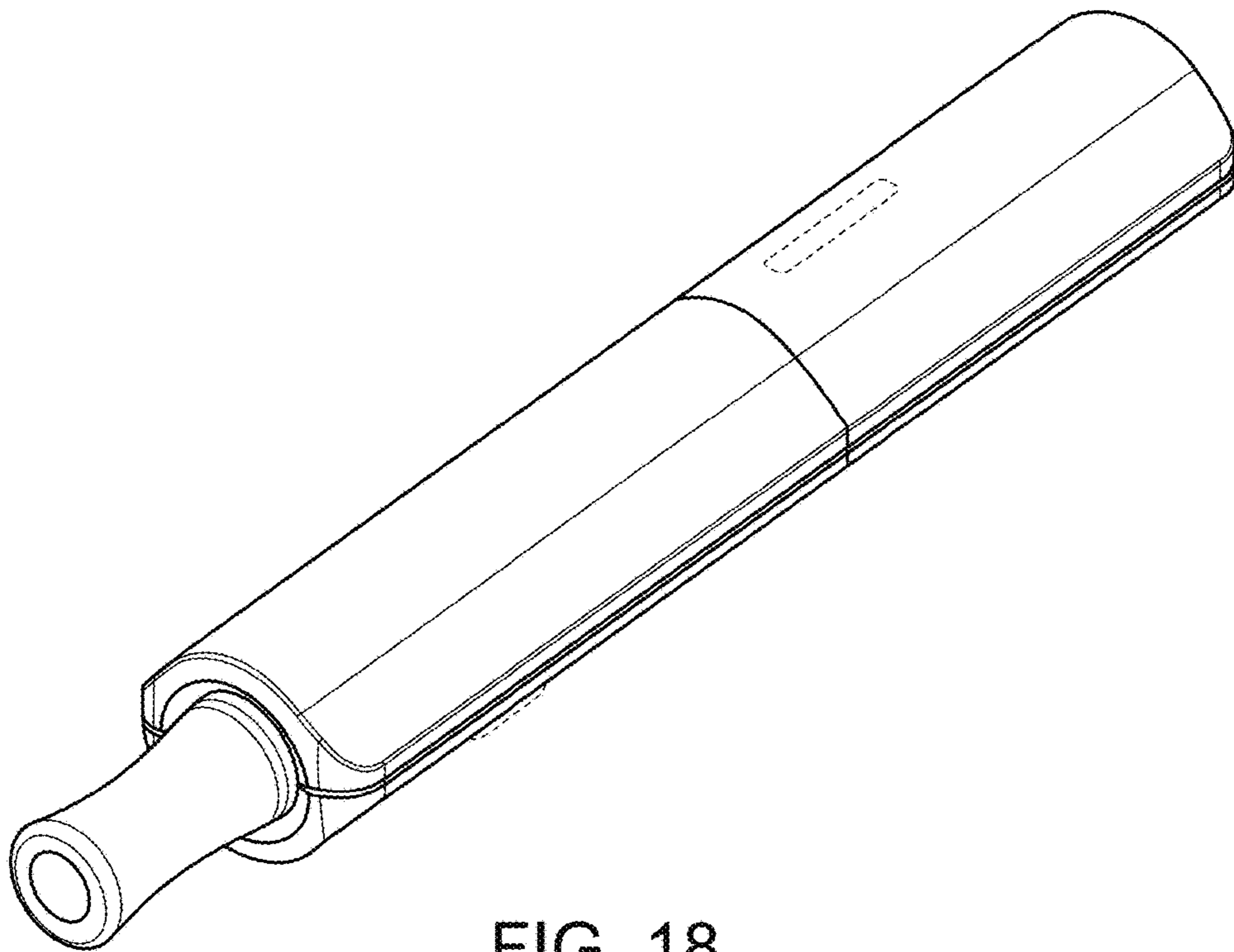


FIG. 18

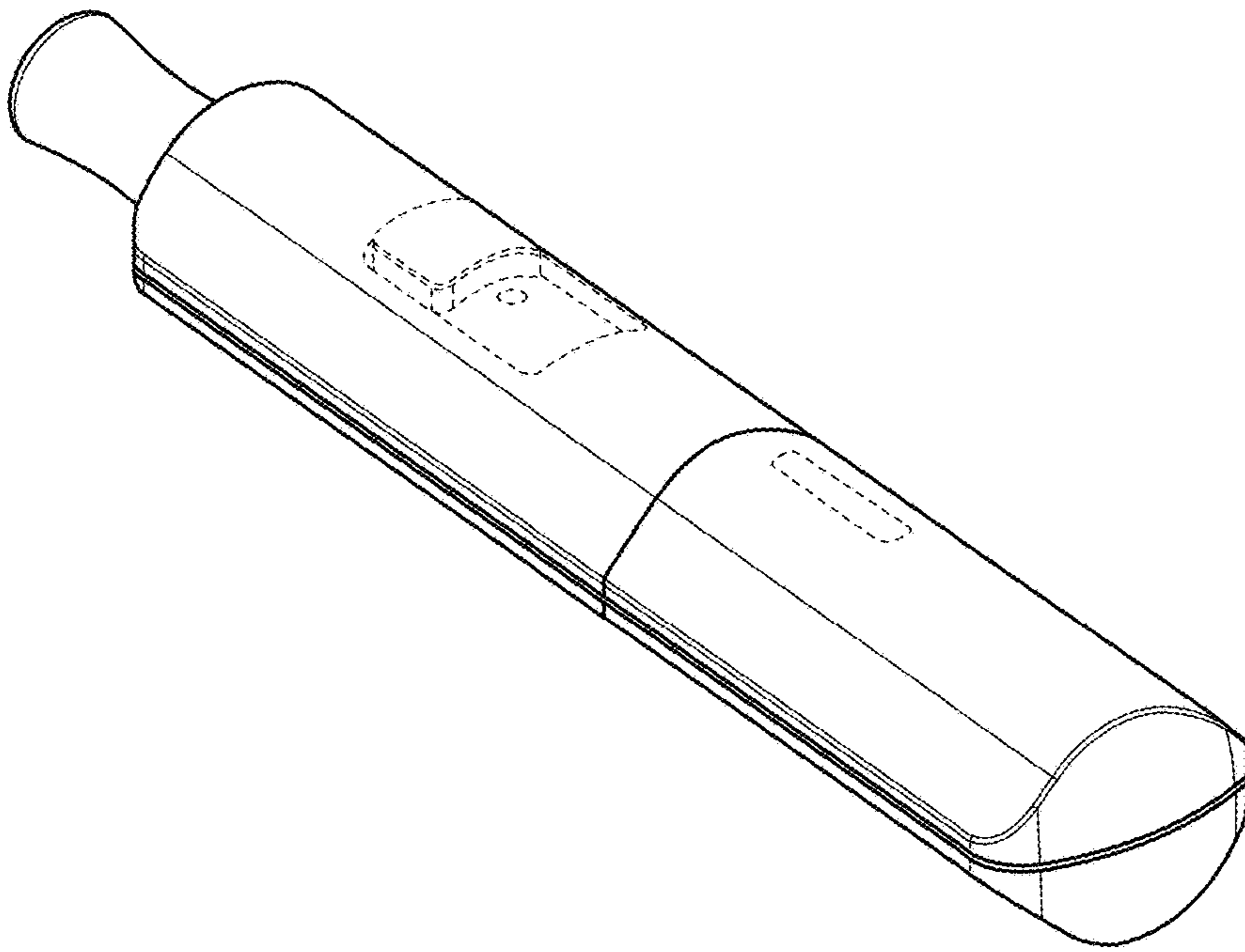


FIG. 19

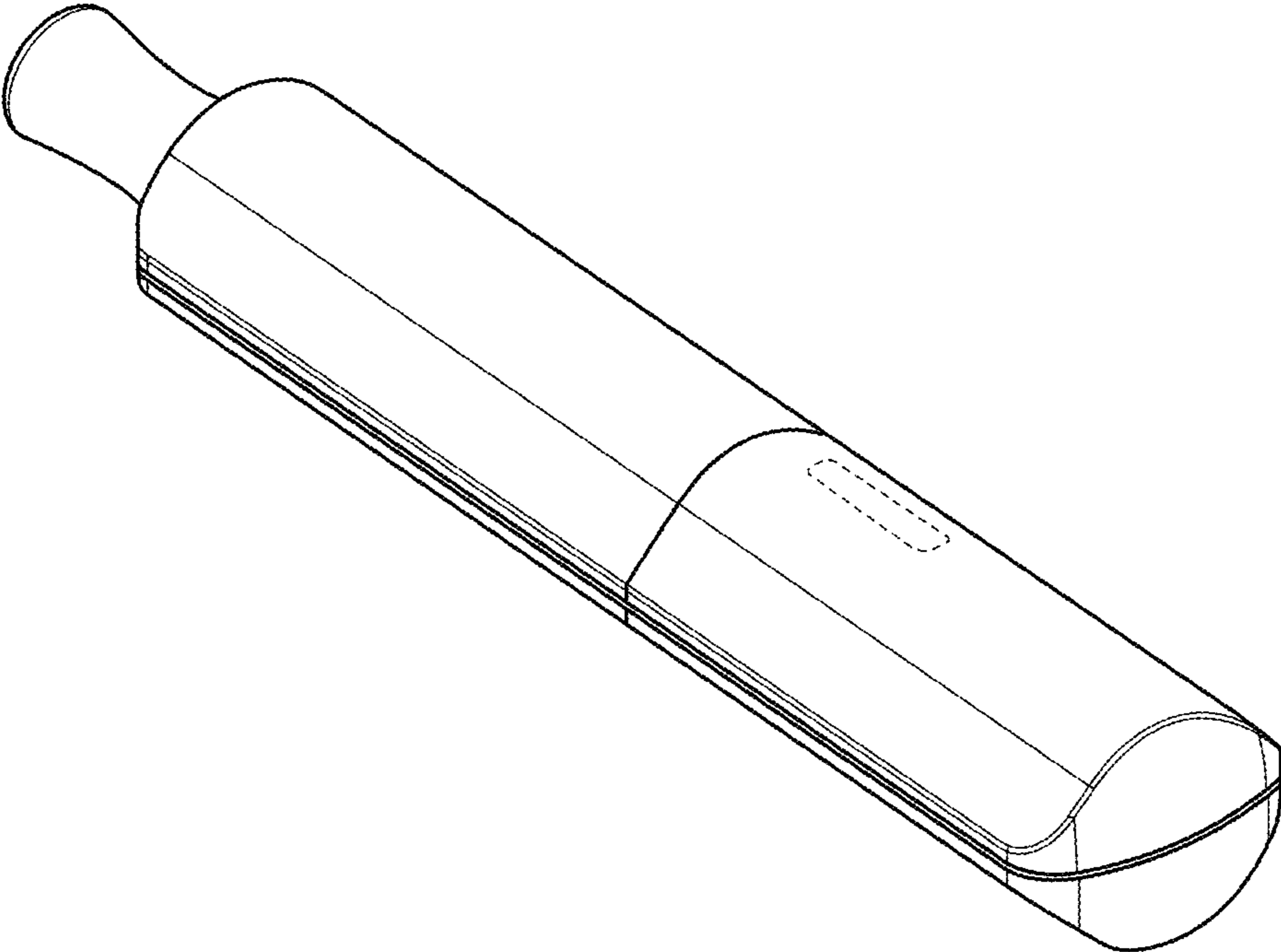


FIG. 20