



US00D836189S

(12) **United States Design Patent** (10) **Patent No.:** **US D836,189 S**  
**Jakins** (45) **Date of Patent:** **\*\* Dec. 18, 2018**

(54) **SCENT DISPERSION DEVICE**  
(71) Applicant: **MOJILIFE, LLC**, Lindon, UT (US)  
(72) Inventor: **Glenn Jakins**, Provo, UT (US)  
(\*\*) Term: **15 Years**  
(21) Appl. No.: **29/581,858**  
(22) Filed: **Oct. 22, 2016**  
(51) **LOC (11) Cl.** ..... **28-99**  
(52) **U.S. Cl.**  
USPC ..... **D23/366**  
(58) **Field of Classification Search**  
USPC ..... D23/355-370, 386-388; D14/214-216  
CPC ..... Y10T 428/1366; Y10T 2597/00; B32B  
2597/00; B01D 46/00; B01D 46/0004;  
B01D 27/04  
See application file for complete search history.

D692,411 S \* 10/2013 Joseph ..... D14/215  
D724,191 S \* 3/2015 Yoo ..... D23/355  
D729,924 S \* 5/2015 Hsiao ..... D23/366  
D732,654 S \* 6/2015 Hsiao ..... D23/366  
D794,763 S \* 8/2017 Thompson, Jr. .... D23/355

**OTHER PUBLICATIONS**

MojiLife Scent Dispersion device found online [Dec. 5, 2017]—  
<https://athomearkansas.com/blog/smarter-scents-with-moji-life/>\*

\* cited by examiner

*Primary Examiner* — Brandon M Rosati

*Assistant Examiner* — John A Voytek

(57) **CLAIM**

The ornamental design for a scent dispersion device, as shown.

**DESCRIPTION**

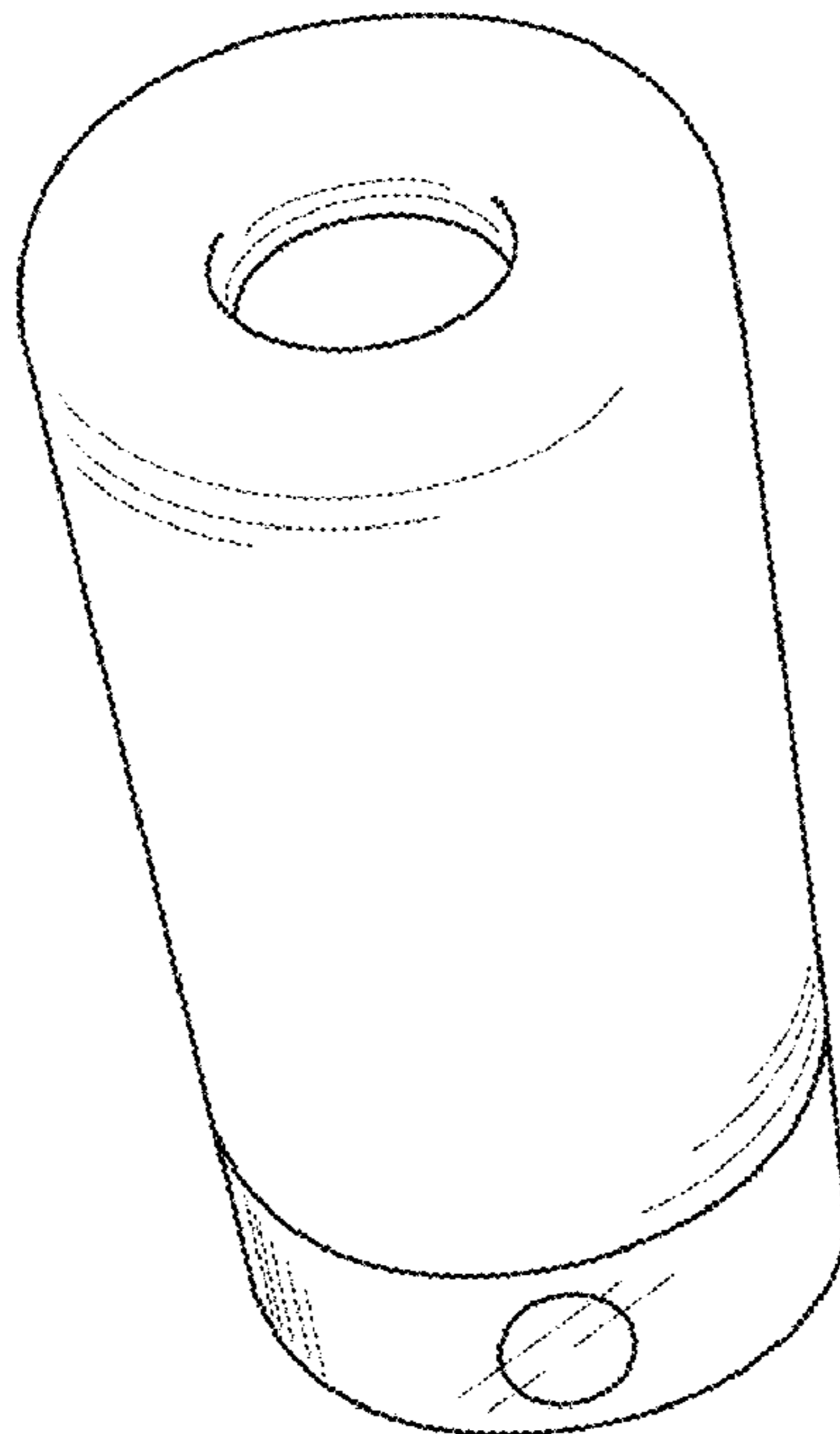
FIG. 1 a perspective view showing my new design;  
FIG. 2 is a cross-sectional view of FIG. 4 thereof;  
FIG. 3 is a rear view thereof;  
FIG. 4 is a front view thereof;  
FIG. 5 is a top view thereof;  
FIG. 6 is a bottom view thereof; and,  
FIG. 7 is an exploded view thereof.

**1 Claim, 7 Drawing Sheets**

(56) **References Cited**

**U.S. PATENT DOCUMENTS**

D434,843 S \* 12/2000 Zaragoza ..... D23/366  
D560,788 S \* 1/2008 Farrell ..... D23/366  
D583,452 S \* 12/2008 Aloe ..... D23/366  
D624,438 S \* 9/2010 Diss ..... D9/556  
D686,721 S \* 7/2013 Wirz ..... D23/366



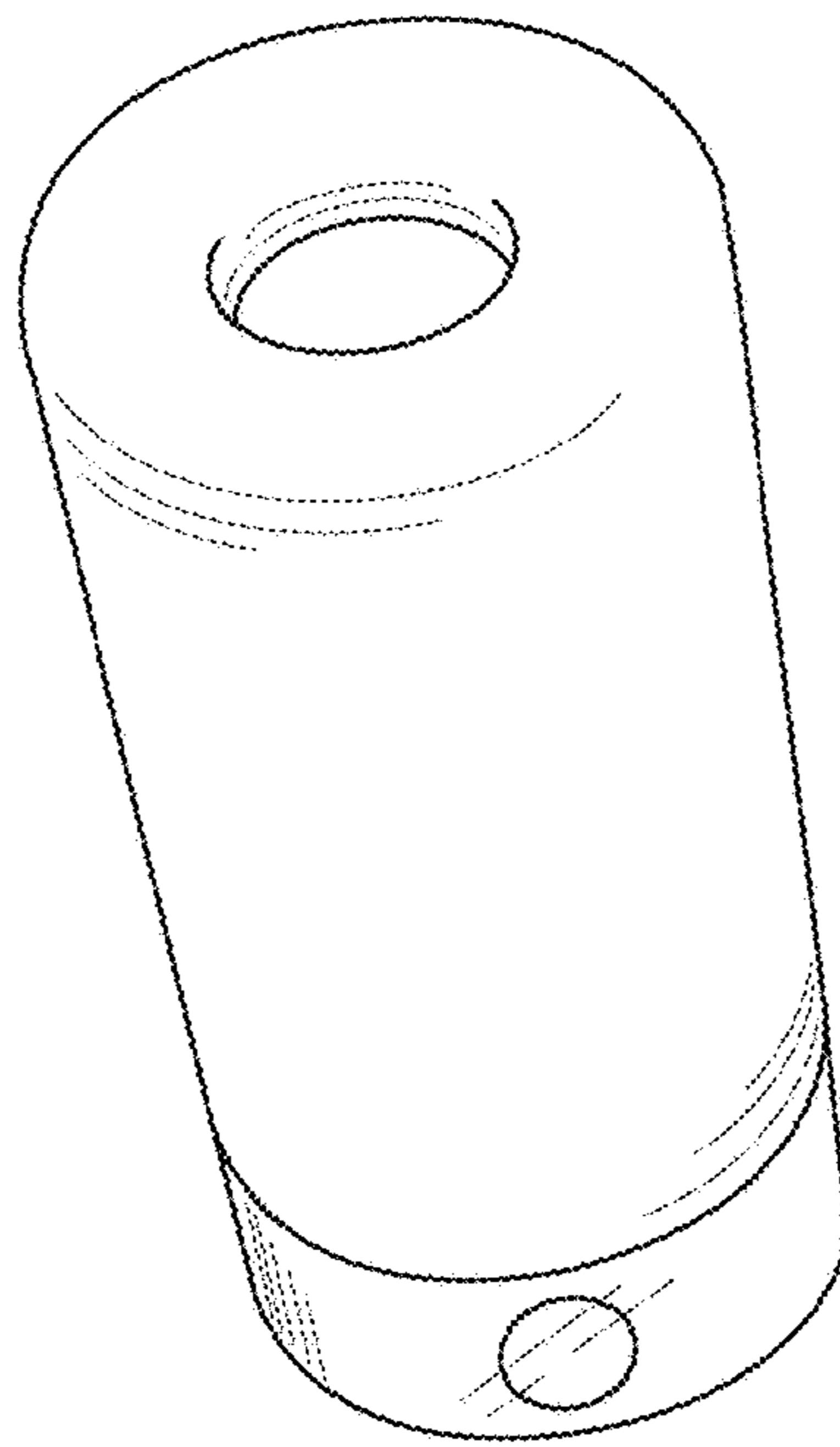


FIG. 1

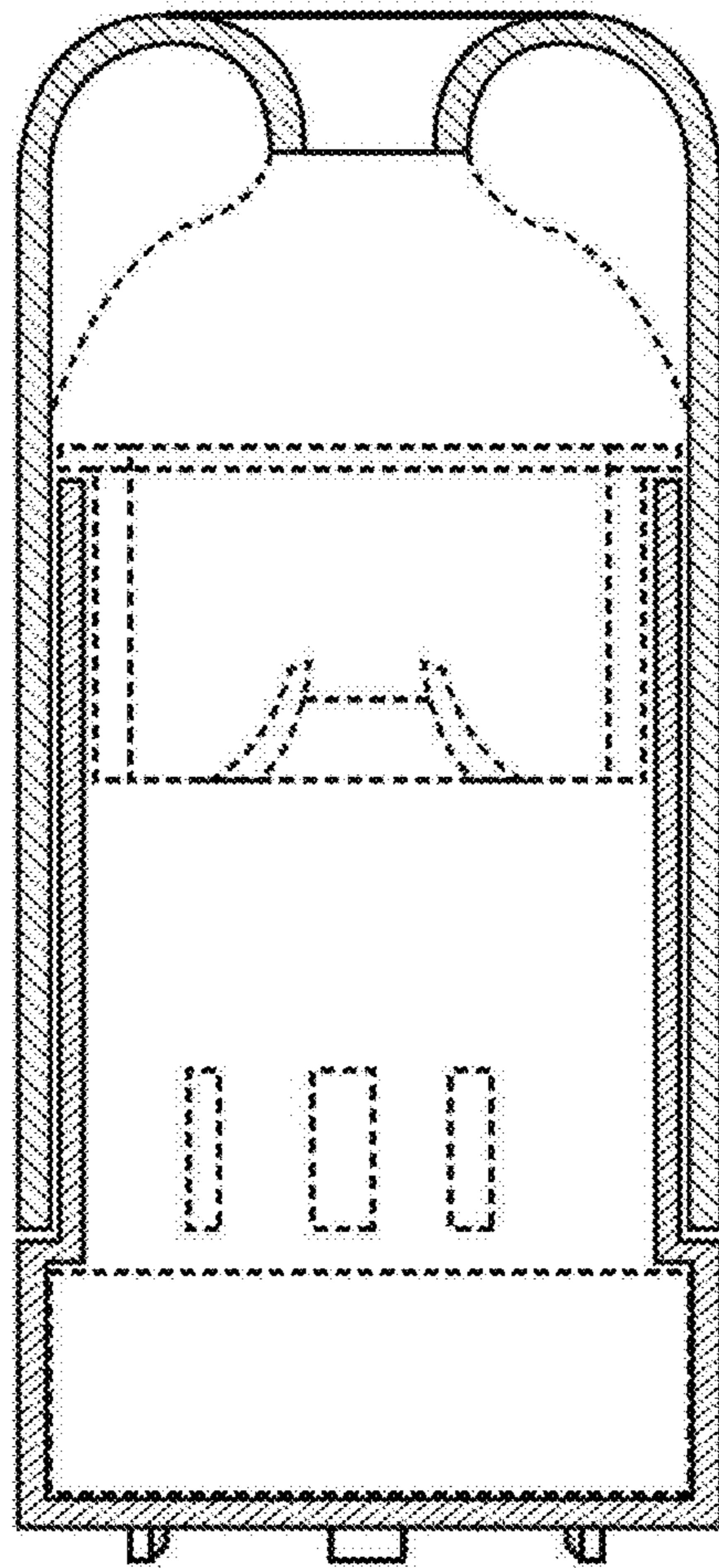


FIG. 2

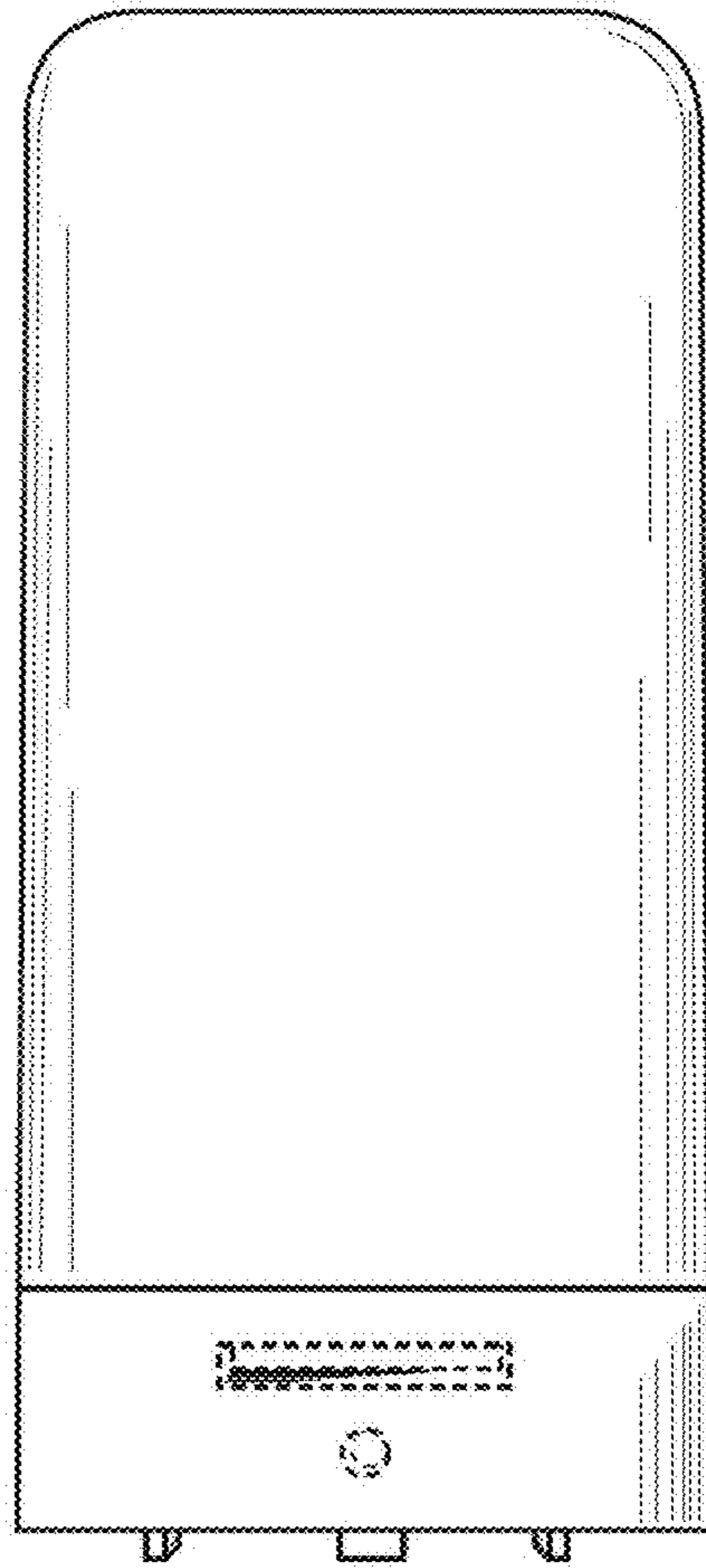


FIG. 3

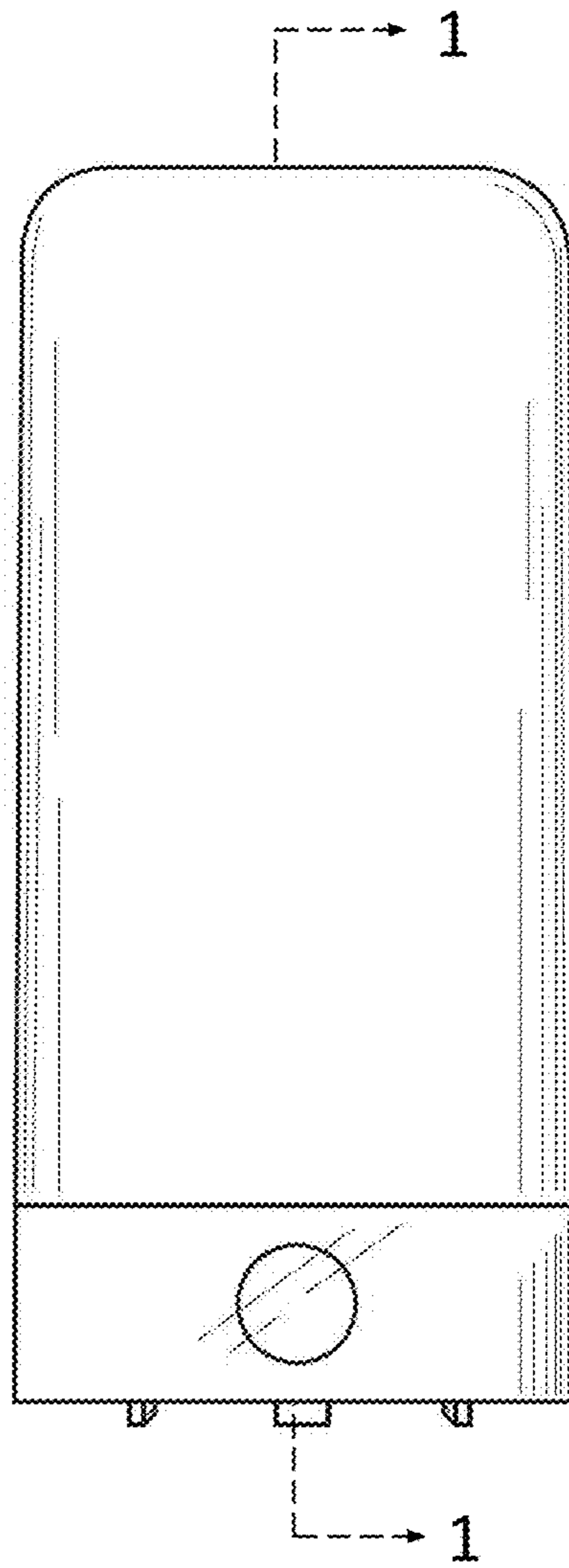


FIG. 4

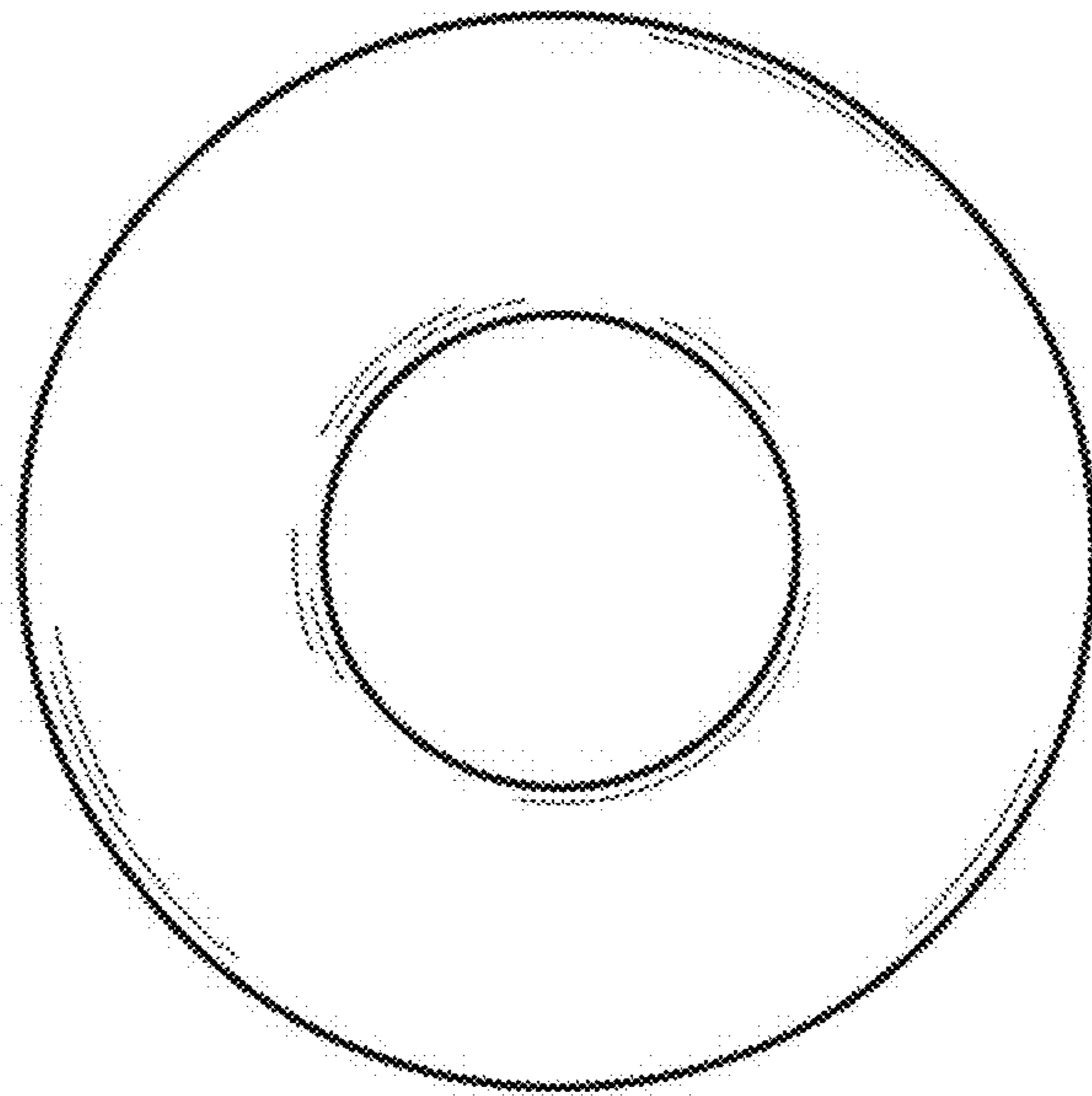


FIG. 5

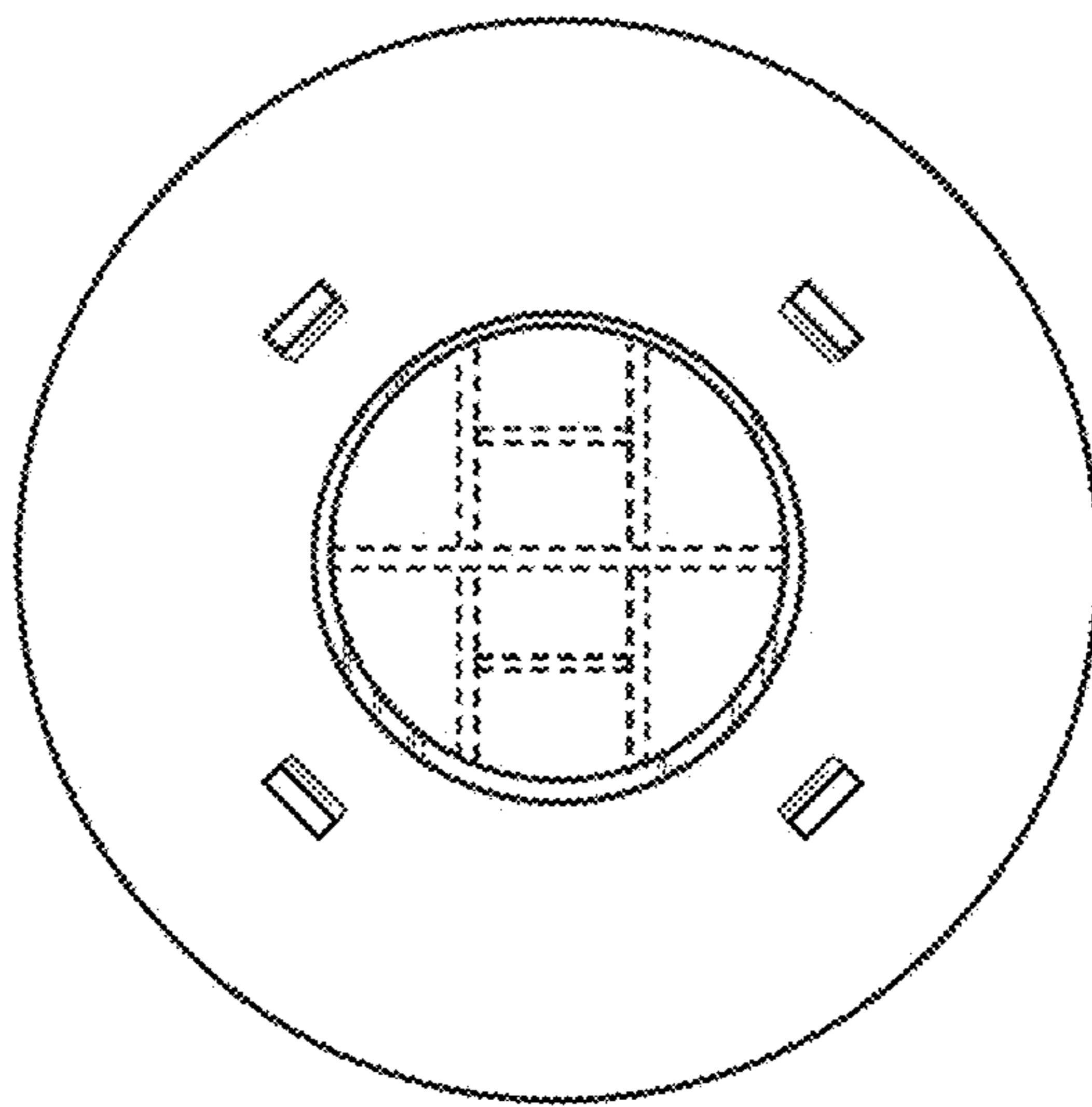


FIG. 6



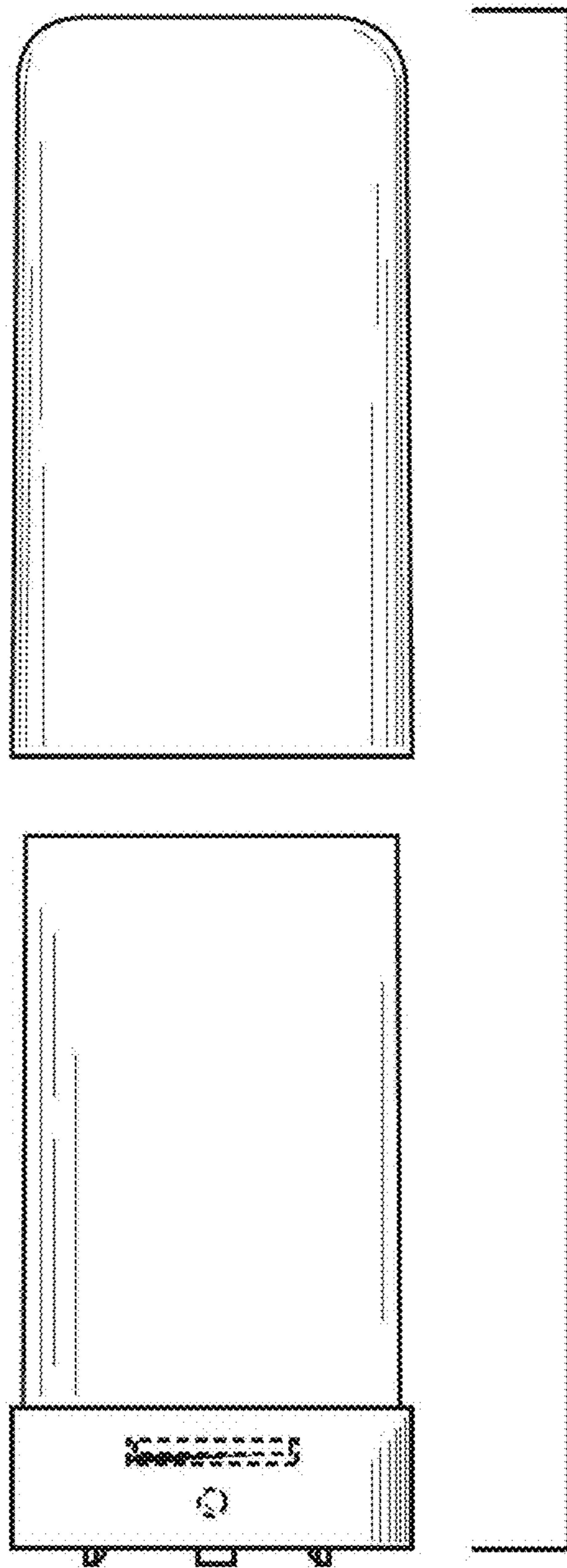


FIG. 7



UNITED STATES PATENT AND TRADEMARK OFFICE  
**CERTIFICATE OF CORRECTION**

PATENT NO. : D836,189 S  
APPLICATION NO. : 29/581858  
DATED : December 18, 2018  
INVENTOR(S) : Davis et al.

Page 1 of 1

It is certified that error appears in the above-identified patent and that said Letters Patent is hereby corrected as shown below:

On the Title Page

Item (12), "Jakins" should read -- Davis et al. --

Item (72), Please amend the inventorship as listed in the following order

INVENTORS:

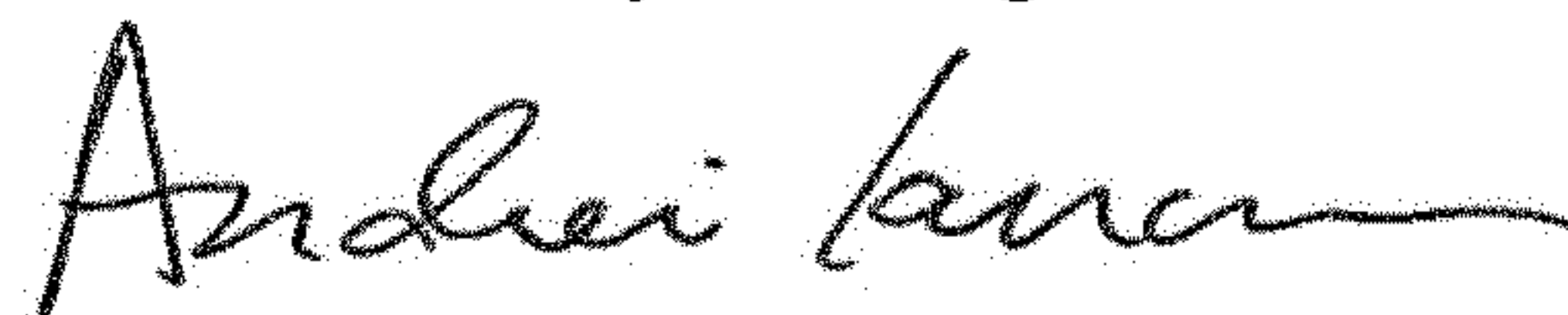
Darin Davis  
945 N 2020 W  
Lehi, UT 84043

Glenn Jakins  
2180 N 350 E  
Provo, UT 84604

Darrell Jakins  
1935 Oak Lane  
Provo, UT 84604

Haruyoshi Miyagi  
844 South 800 West, STE 214  
Pleasant Grove, UT 84062

Signed and Sealed this  
Fourth Day of August, 2020



Andrei Iancu  
*Director of the United States Patent and Trademark Office*