



US00D836187S

(12) **United States Design Patent** (10) **Patent No.:** **US D836,187 S**  
**Frasher** (45) **Date of Patent:** **\*\* Dec. 18, 2018**

(54) **HEXAGONAL FIRE PIT WITH HINGED GRATE**

2013/0298895 A1\* 11/2013 Robb ..... F24C 1/16  
126/25 R

(71) Applicant: **Robert Frasher**, Seward, AK (US)

\* cited by examiner

(72) Inventor: **Robert Frasher**, Seward, AK (US)

*Primary Examiner* — T Chase Nelson

*Assistant Examiner* — Ania Aman

(\*\*) Term: **15 Years**

(74) *Attorney, Agent, or Firm* — Michael J Tavella

(21) Appl. No.: **29/615,589**

(22) Filed: **Aug. 30, 2017**

(57) **CLAIM**

**Related U.S. Application Data**

The ornamental design for a hexagonal fire pit with hinged grate, as shown and described.

(62) Division of application No. 29/571,997, filed on Jul. 22, 2016.

(51) **LOC (11) Cl.** ..... **23-03**

(52) **U.S. Cl.**  
USPC ..... **D23/332**

**DESCRIPTION**

(58) **Field of Classification Search**  
USPC ..... D23/332, 314, 343, 348, 350; D7/332  
CPC ..... F24C 1/16; F24C 5/00; A47J 33/00; A47J  
37/0763; A47J 37/07; F24B 1/18; F24B  
1/182; F24B 1/1808; F24B 1/181; F24B  
1/195; F24B 1/191

FIG. 1 is a left-side perspective top view of a first embodiment my new design showing the grate closed.

FIG. 2 is a bottom plan view thereof.

FIG. 3 is top plan view thereof, showing the grate closed.

FIG. 4 is a top plan view of the design showing the grate lifted.

FIG. 5 is a front perspective view of the new design with the grate removed.

FIG. 6 is a rear perspective view thereof with the grate removed; and,

FIG. 7 is a right-side perspective top view of my new design showing the grate closed.

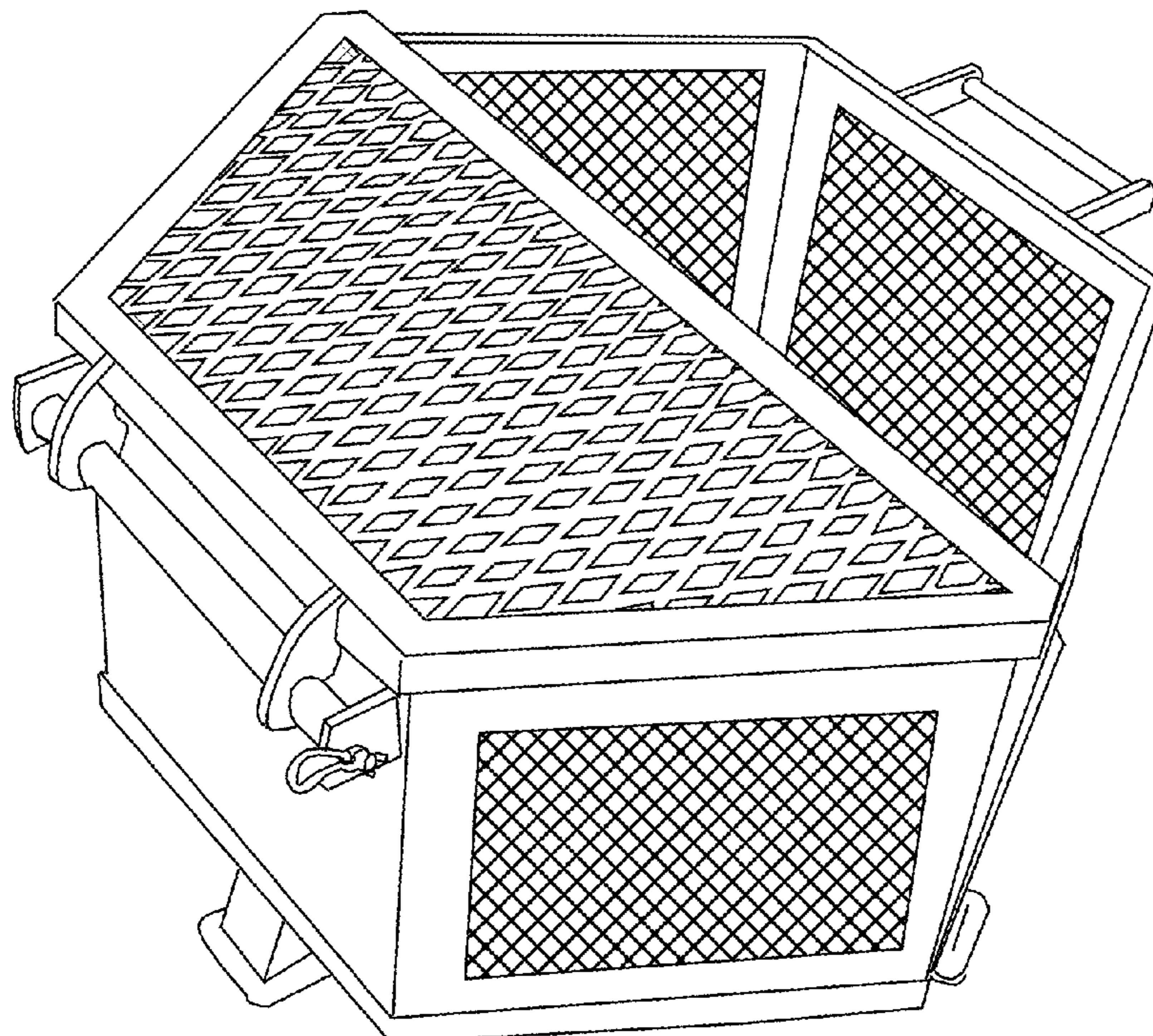
See application file for complete search history.

(56) **References Cited**

**U.S. PATENT DOCUMENTS**

D440,289 S \* 4/2001 Olson ..... D23/350  
2012/0318255 A1\* 12/2012 Brown ..... F23B 20/00  
126/25 R

**1 Claim, 7 Drawing Sheets**



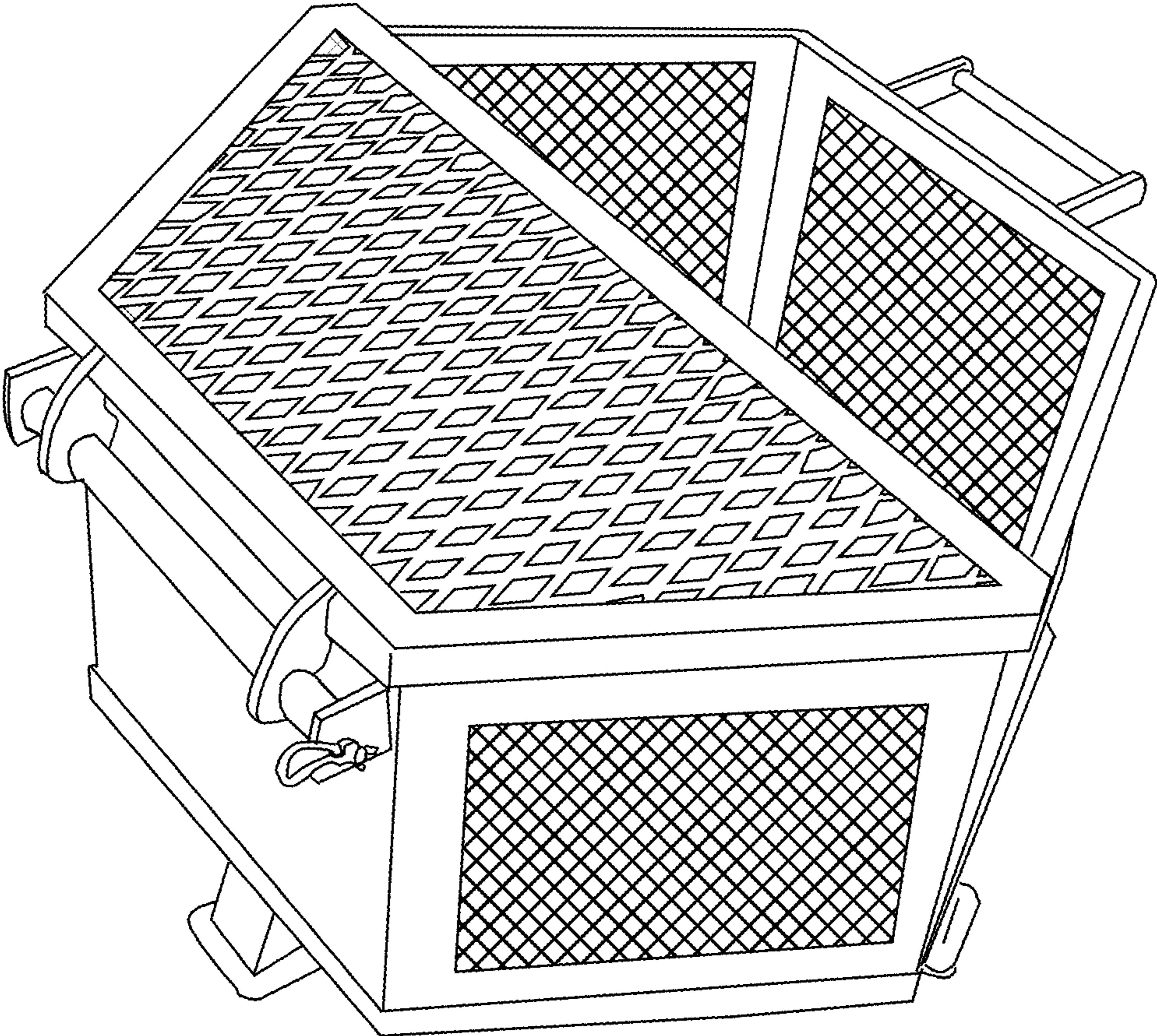


Fig. 1

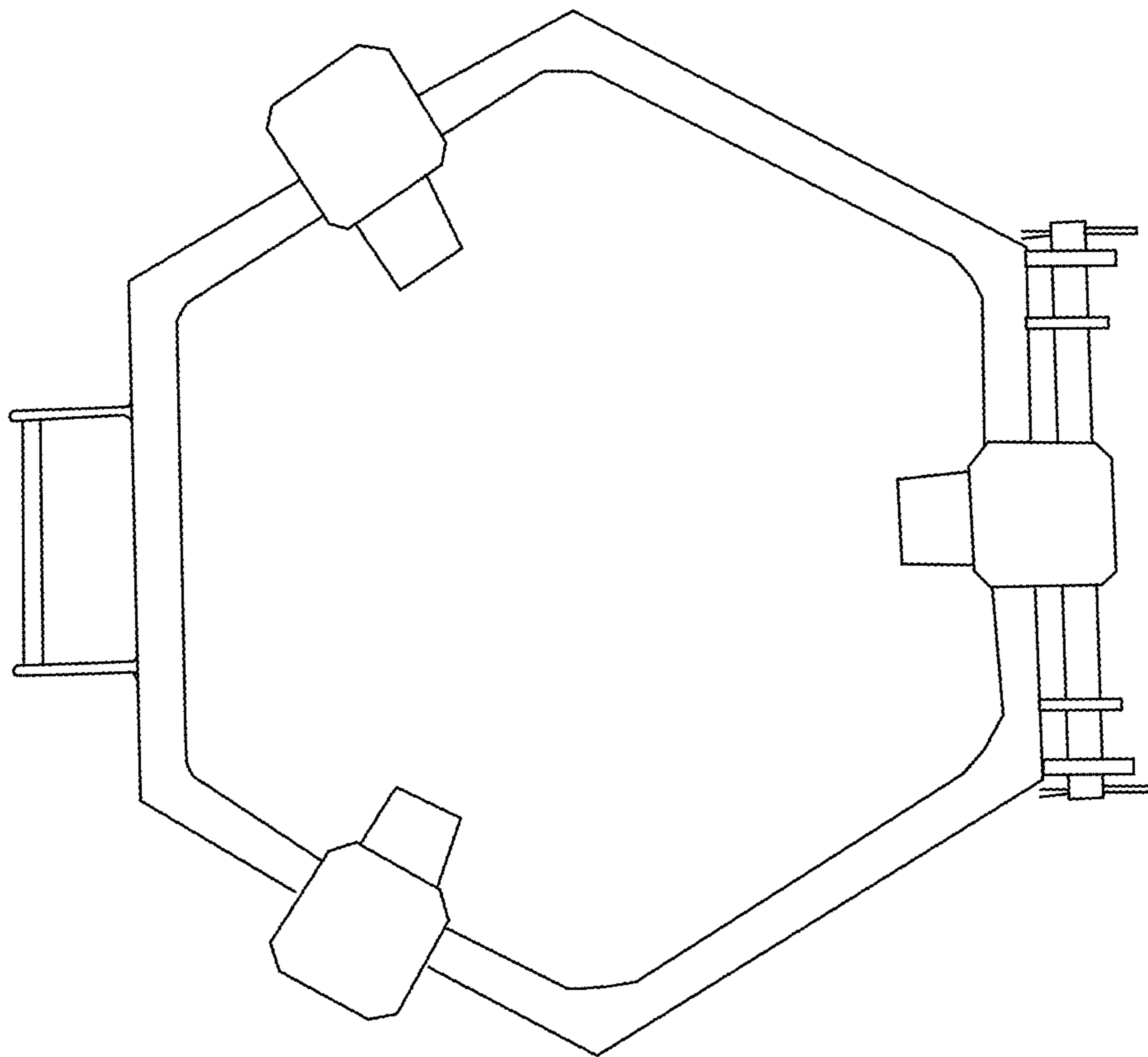


Fig. 2

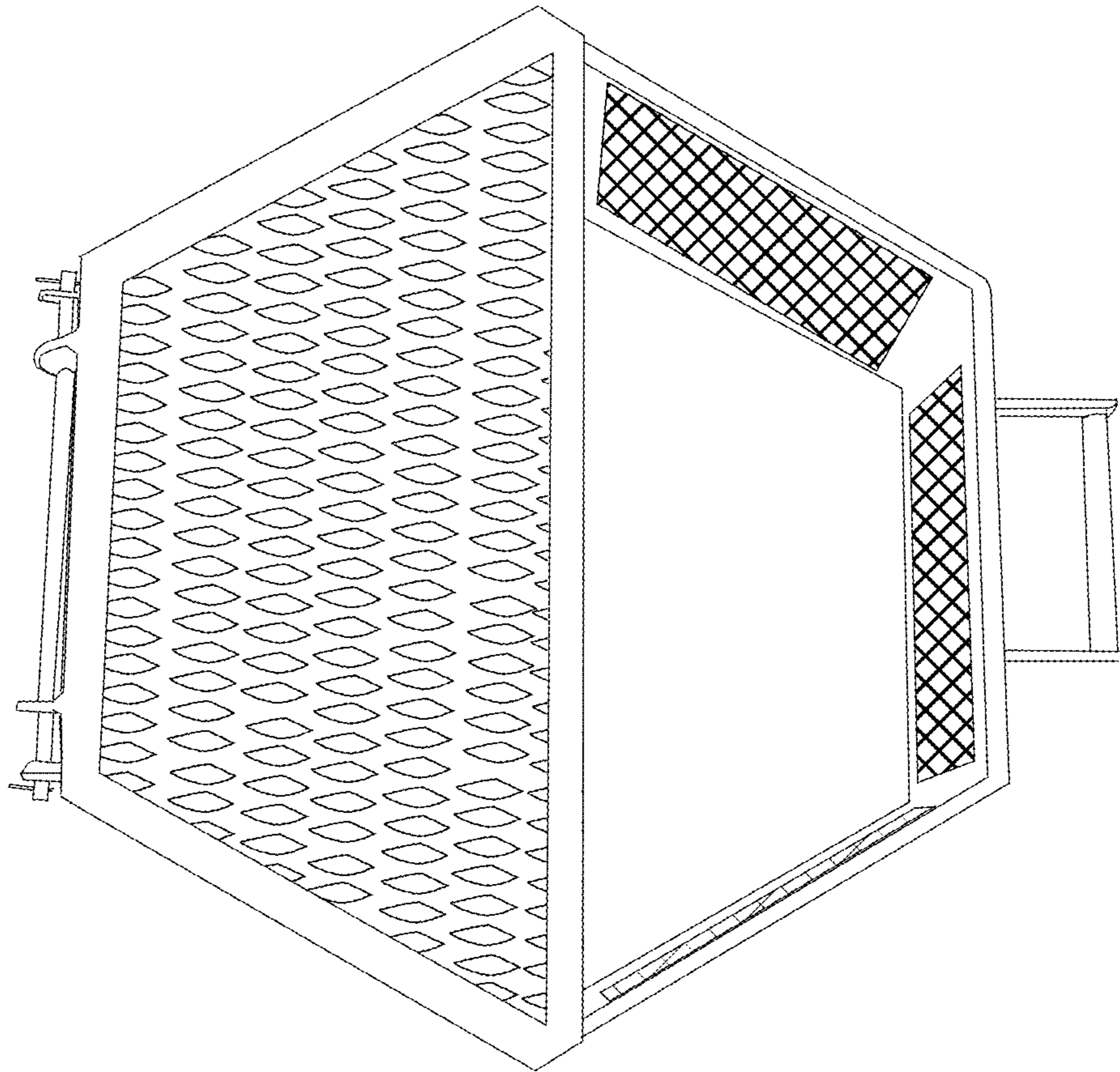


Fig. 3

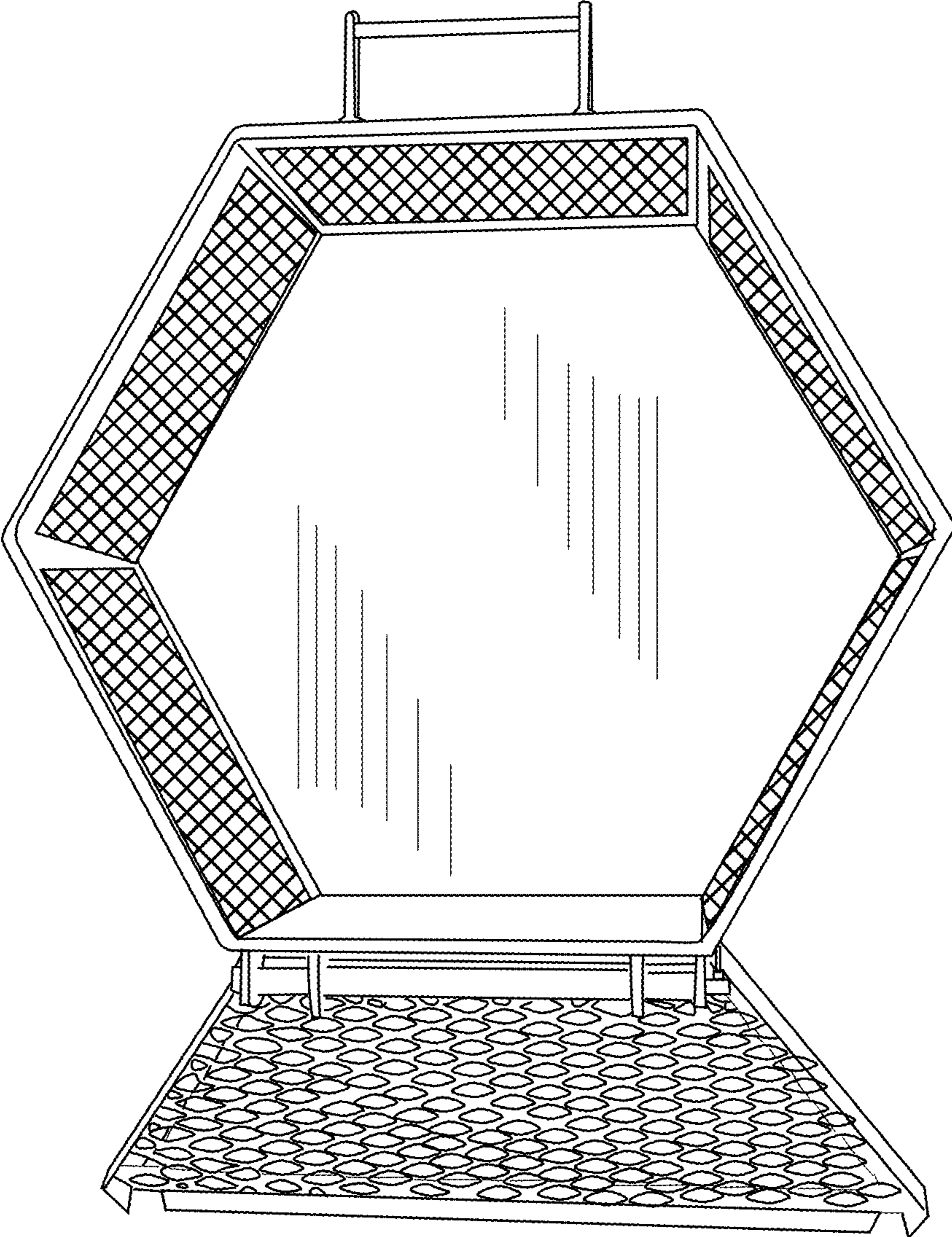


Fig. 4

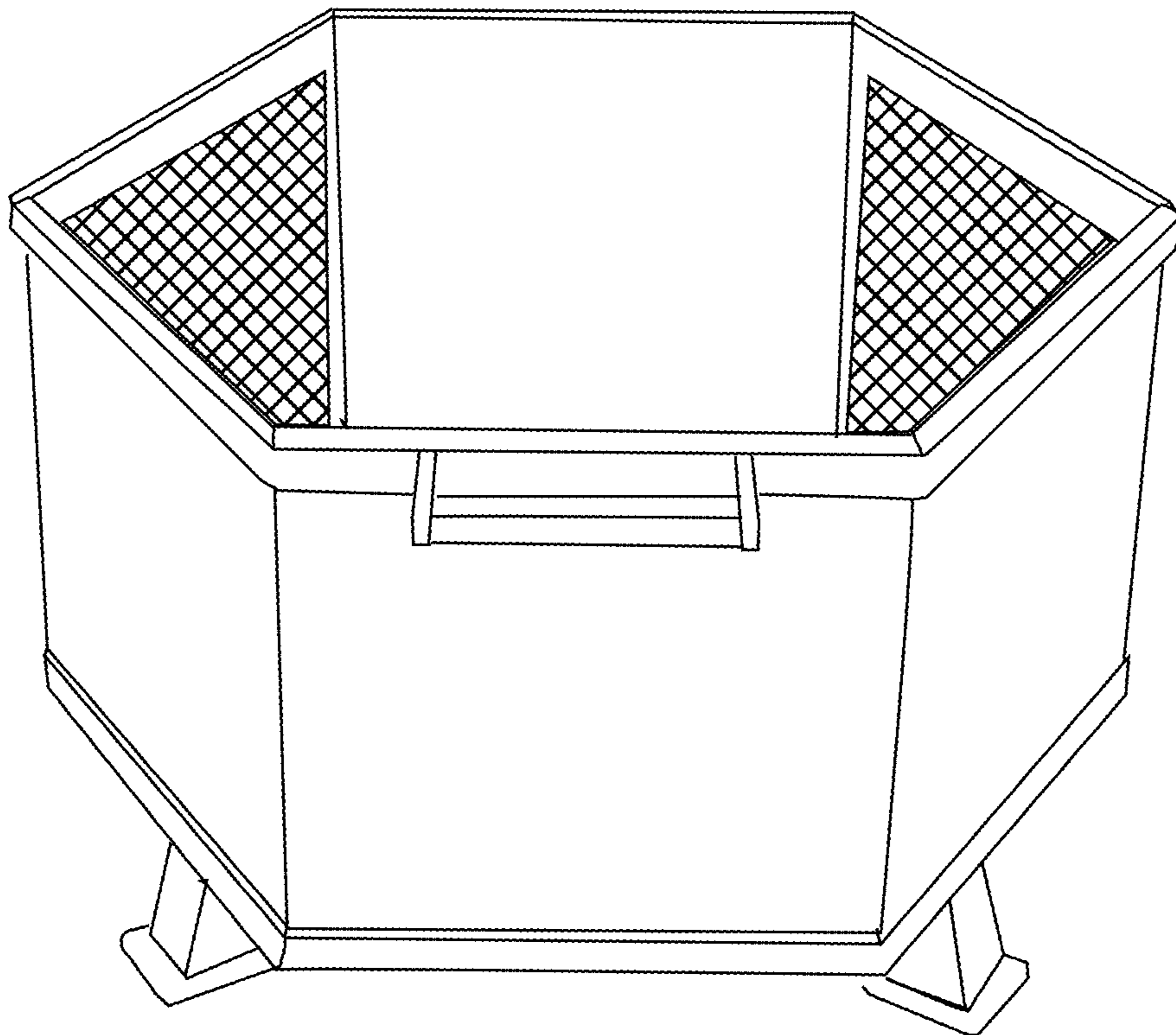


Fig. 5

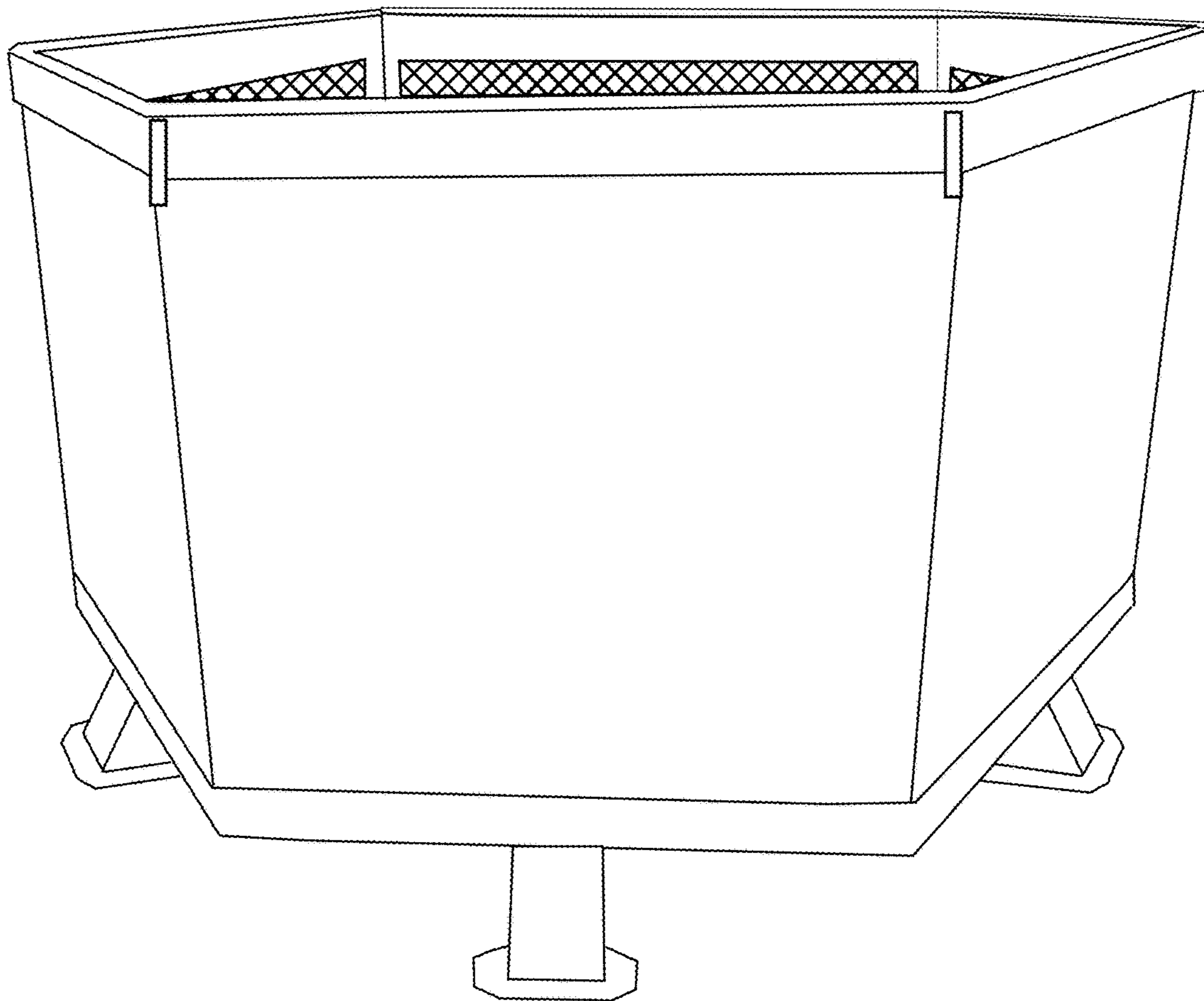


Fig. 6

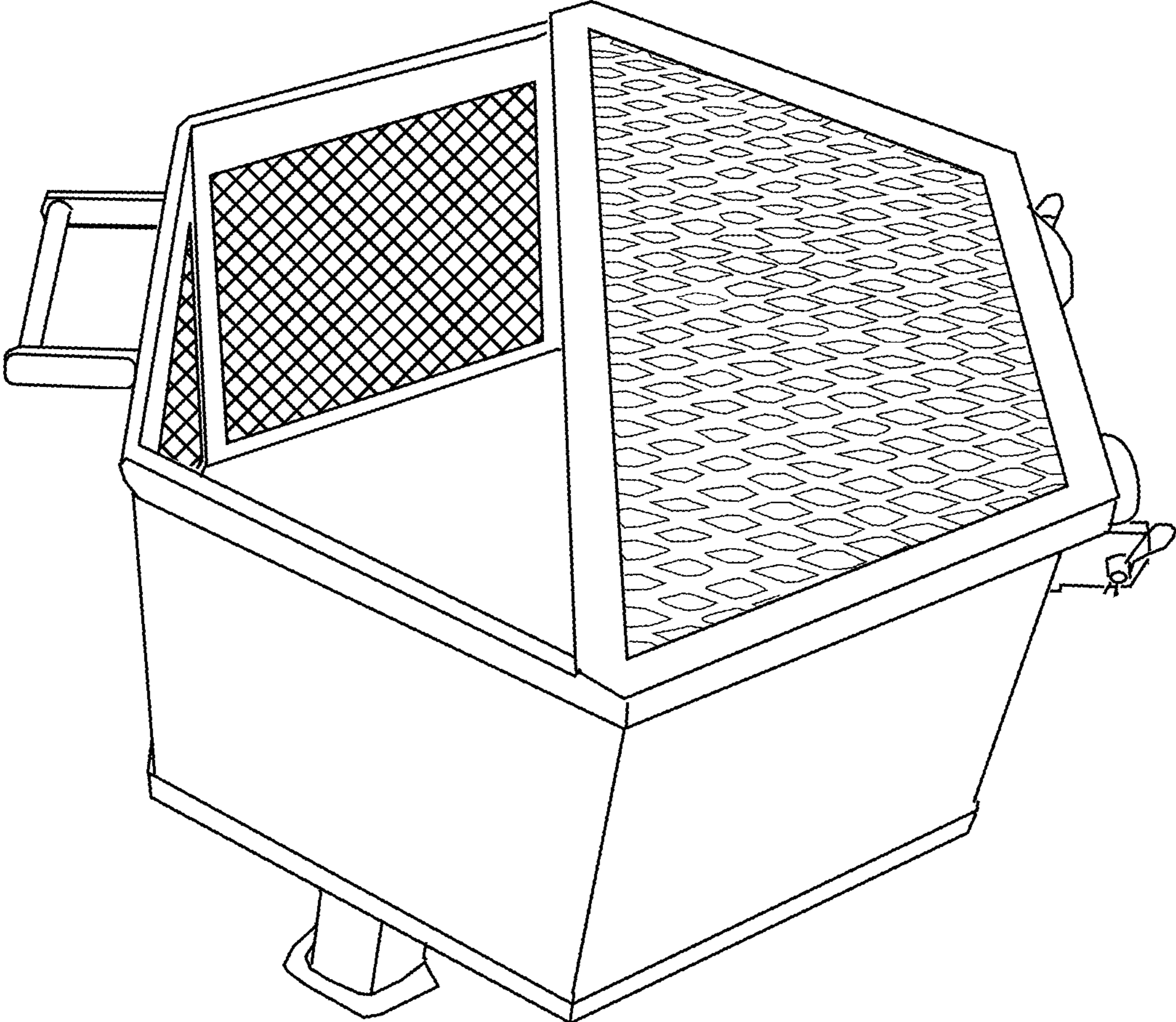


Fig. 7