



US00D836186S

(12) **United States Design Patent**
Takahashi et al.

(10) **Patent No.:** **US D836,186 S**
(45) **Date of Patent:** **** Dec. 18, 2018**

(54) **SEAL MEMBER FOR A PRESSURE VESSEL**

6,557,857 B1 * 5/2003 Goodman F16J 15/3224
277/549

(71) Applicant: **Nippon Valqua Industries, Ltd.**, Tokyo
(JP)

D517,679 S * 3/2006 Stout, Jr. D23/393
7,347,224 B2 * 3/2008 Nohara F16L 21/03
138/109

(72) Inventors: **Kenichi Takahashi**, Gojo (JP); **Akira Ueda**, Gojo (JP); **Hirofumi Zushi**, Gojo (JP); **Sayaka Yoshida**, Gojo (JP)

(Continued)

(73) Assignee: **Valqua, Ltd.**, Shinagawa-ku, Tokyo
(JP)

FOREIGN PATENT DOCUMENTS

(**) Term: **15 Years**

CN 301169536 S 4/2010
JP 02-093567 U1 7/1990

(21) Appl. No.: **29/589,722**

(Continued)

(22) Filed: **Jan. 4, 2017**

Primary Examiner — Eric L Goodman
Assistant Examiner — Amy C Wierenga

(30) **Foreign Application Priority Data**

(74) *Attorney, Agent, or Firm* — The Webb Law Firm

Jul. 5, 2016 (JP) 2016-014271
Jul. 5, 2016 (JP) 2016-014272
Jul. 5, 2016 (JP) 2016-014273

(57) **CLAIM**

The ornamental design for a seal member for a pressure vessel, as shown and described.

(51) **LOC (11) Cl.** **23-01**

DESCRIPTION

(52) **U.S. Cl.**

USPC **D23/269**

(58) **Field of Classification Search**

USPC D23/269, 262; 277/351–359, 504, 562,
277/563, 572, 361–364, 381, 606, 616,
277/314, 382, 394, 395; D25/48.2, 122,
D25/164; 285/42–50

FIG. 1 is a top view of a seal member for a pressure vessel showing our new design;

FIG. 2 is a front elevation view thereof;

FIG. 3 is a right side elevation view thereof;

FIG. 4 is a cross-sectional view thereof taken along lines 4-4 shown in FIG. 1;

FIG. 5 is an enlarged cross-sectional view of a portion thereof defined by area 5-5 shown in FIG. 1;

FIG. 6 is an enlarged cross-sectional view of a portion thereof in a condition of use; and,

FIG. 7 is a perspective view thereof.

The bottom, rear elevation, and left side elevation views of the seal member for a pressure vessel are omitted as they are identical in appearance to the top, front elevation, and right side elevation views, respectively.

The dot dash broken line shown in FIG. 5 indicates cutoff boundaries for the enlarged detailed portion view and forms no part of the claim.

The evenly dashed lines in FIG. 6 depict environmental subject matter that forms no part of the claim.

CPC E04D 13/1406; E04D 13/1407; F16K 3/0227; F16K 51/02; F16J 15/106

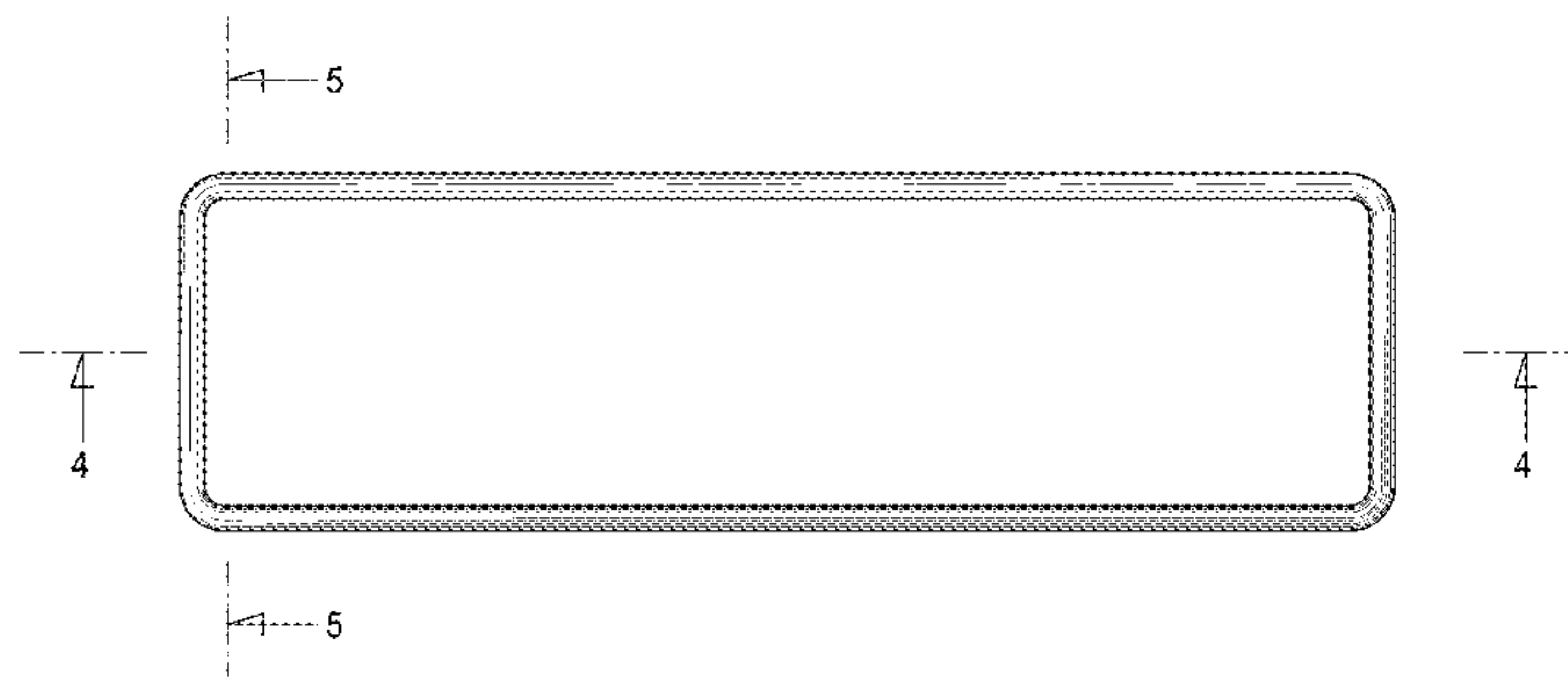
See application file for complete search history.

(56) **References Cited**

U.S. PATENT DOCUMENTS

D32,696 S * 5/1900 Merwarth 277/602
6,523,833 B1 * 2/2003 Ishigaki F16J 15/025
277/549

1 Claim, 7 Drawing Sheets



(56)

References Cited

U.S. PATENT DOCUMENTS

D614,271 S * 4/2010 Weston D23/269
D755,356 S * 5/2016 Vaseleniuck D23/269
D785,144 S * 4/2017 Kitagawa D23/269
9,611,940 B2 * 4/2017 Khan F16K 51/02
D802,723 S * 11/2017 Miyamoto D23/269
2003/0160452 A1 * 8/2003 Mattsson F16L 9/003
285/424
2008/0012238 A1 * 1/2008 Kapcoe F16J 15/3252
277/572
2009/0045371 A1 * 2/2009 Kamibayashiyama
F16K 3/0227
251/328
2009/0289450 A1 * 11/2009 Bluhm F16D 25/0638
285/101
2010/0264606 A1 * 10/2010 Hayashi F16J 15/061
277/641
2014/0070494 A1 * 3/2014 Winkelmann F16J 15/166
277/314
2014/0175310 A1 * 6/2014 Coppola F16K 51/02
251/85
2015/0184761 A1 * 7/2015 Kusakabe F16J 15/062
251/314
2017/0211706 A1 * 7/2017 Amir F16K 3/0227

FOREIGN PATENT DOCUMENTS

TW D127507 S 2/2009
TW D127508 S 2/2009

* cited by examiner

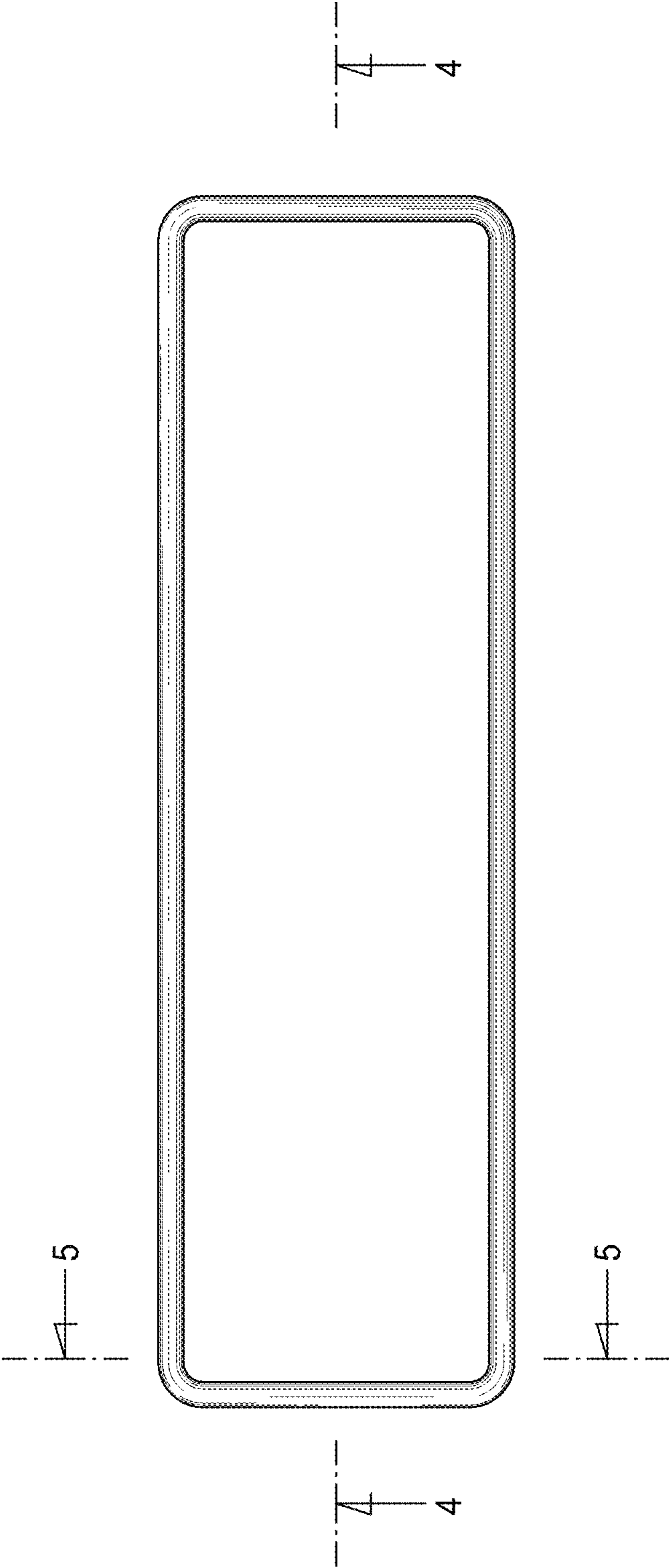


FIG. 1



FIG. 2

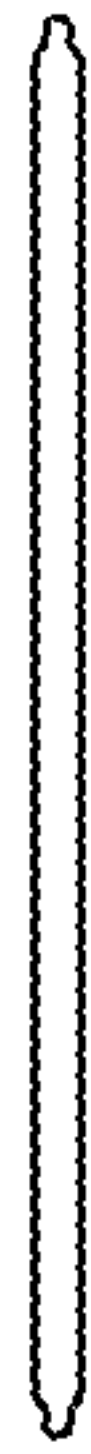


FIG. 3



FIG. 4

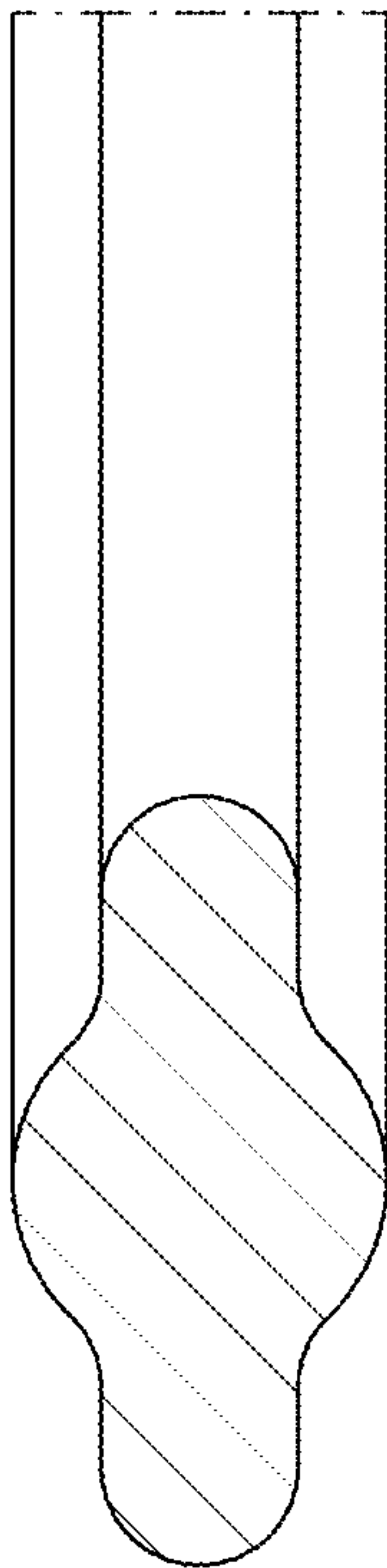


FIG. 5

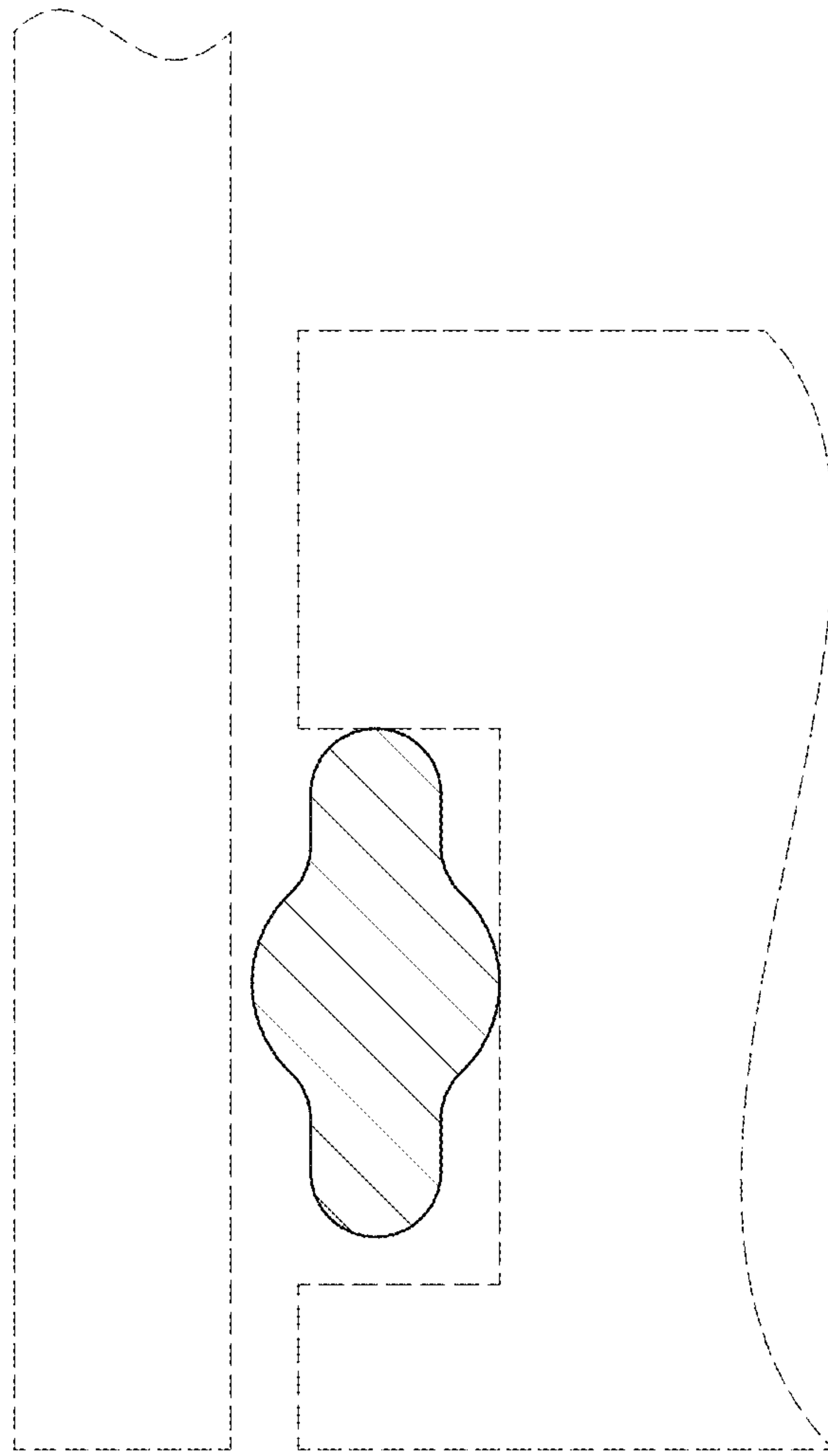


FIG. 6

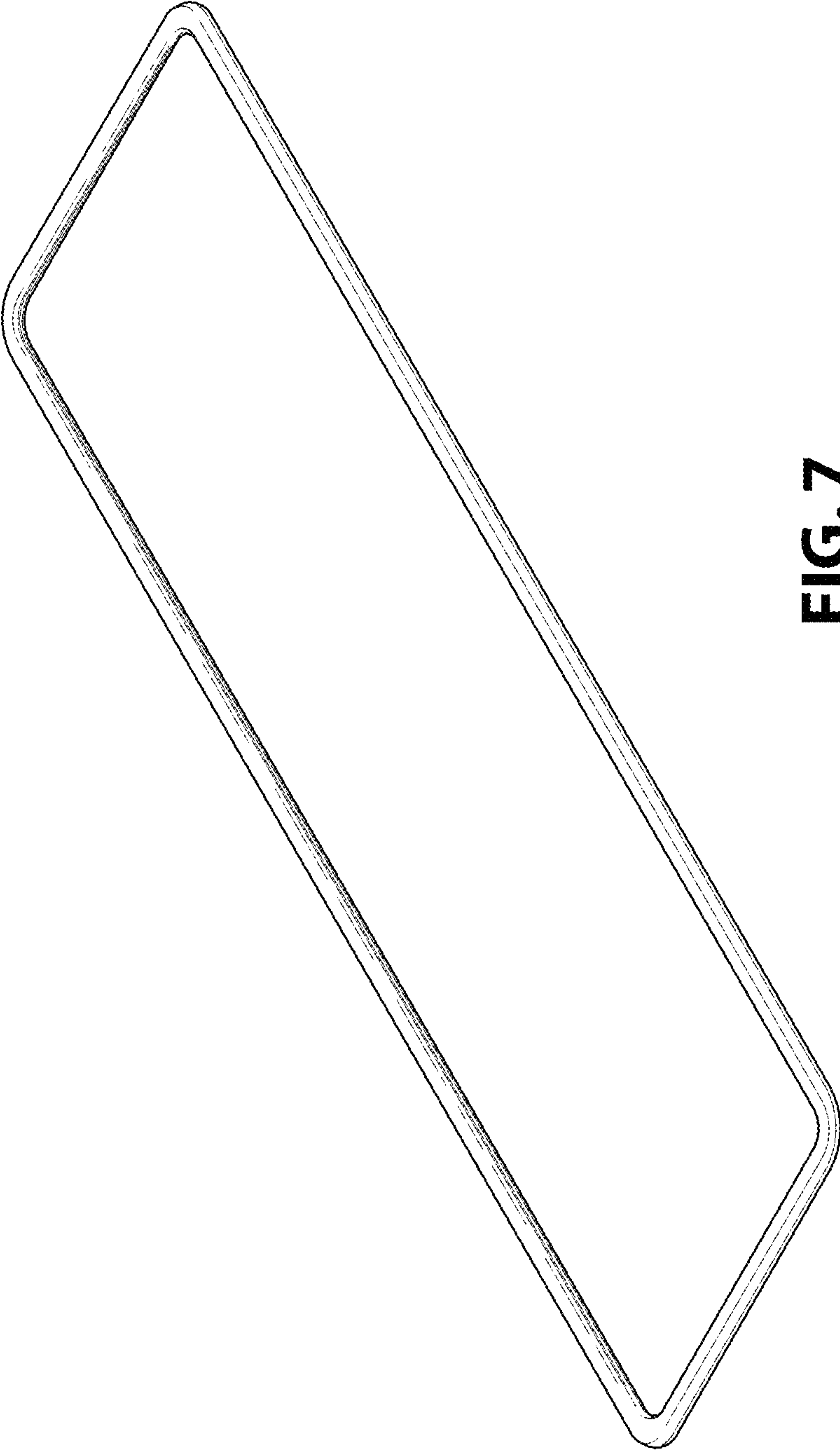


FIG. 7