



US00D836184S

(12) **United States Design Patent**
Lippka

(10) **Patent No.:** **US D836,184 S**
(45) **Date of Patent:** **** Dec. 18, 2018**

(54) **PIPE COUPLING**

(71) Applicant: **Tyco Fire Products LP**, Lansdale, PA (US)

(72) Inventor: **Sandra M. Lippka**, Warwick, RI (US)

(73) Assignee: **Tyco Fire Products LP**, Lansdale, PA (US)

(**) Term: **15 Years**

(21) Appl. No.: **29/606,655**

(22) Filed: **Jun. 6, 2017**

(51) **LOC (11) Cl.** **23-01**

(52) **U.S. Cl.**
USPC **D23/262**; D8/394

(58) **Field of Classification Search**
USPC D23/259–260, 262–266, 233, 245;
285/56, 189, 194, 286.1, 15, 180, 181,
(Continued)

(56) **References Cited**

U.S. PATENT DOCUMENTS

D142,057 S * 8/1945 Baxter D23/265
D189,229 S * 11/1960 Bowne D23/265
(Continued)

Primary Examiner — Eric L Goodman

Assistant Examiner — Amy C Wierenga

(74) *Attorney, Agent, or Firm* — Foley & Lardner LLP

(57) **CLAIM**

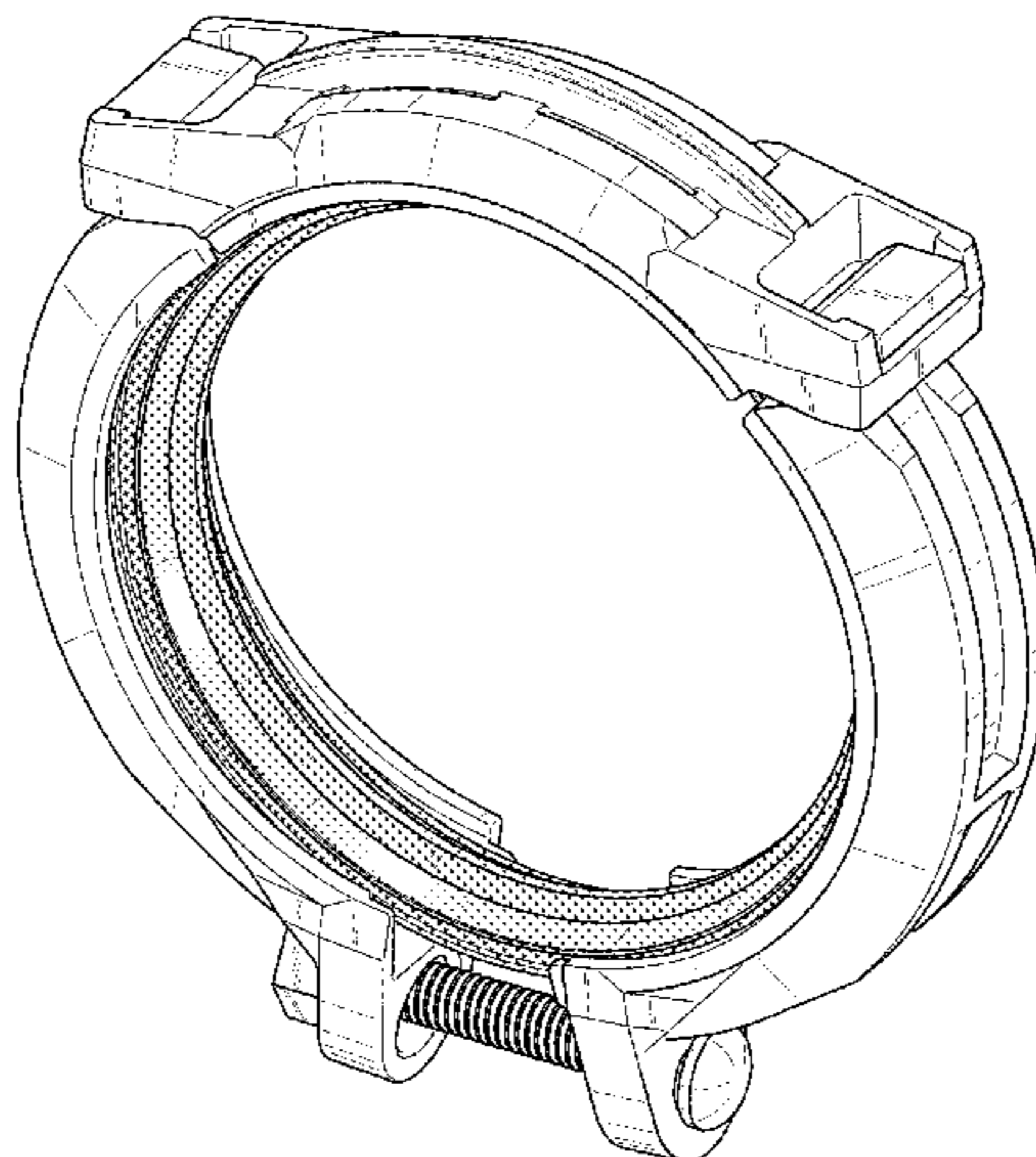
The ornamental design for a pipe coupling, as shown and described.

DESCRIPTION

FIG. 1 is a perspective view of a pipe coupling showing my new design in accordance with a first embodiment;

FIG. 2 is a front elevational view of the first embodiment; FIG. 3 is a rear elevational view of the first embodiment; FIG. 4 is a top plan view of the first embodiment; FIG. 5 is a bottom plan view of the first embodiment; FIG. 6 is a right side elevational view of the first embodiment; and FIG. 7 is a left side elevational view of the first embodiment. FIG. 8 is a perspective view of a pipe coupling showing my new design in accordance with a second embodiment; FIG. 9 is a front elevational view of the second embodiment; FIG. 10 is a rear elevational view of the second embodiment; FIG. 11 is a top plan view of the second embodiment; FIG. 12 is a bottom plan view of the second embodiment; FIG. 13 is a right side elevational view of the second embodiment; and FIG. 14 is a left side elevational view of the second embodiment. FIG. 15 is a perspective view of a pipe coupling showing my new design in accordance with a third embodiment; FIG. 16 is a front elevational view of the third embodiment; FIG. 17 is a rear elevational view of the third embodiment; FIG. 18 is a top plan view of the third embodiment; FIG. 19 is a bottom plan view of the third embodiment; FIG. 20 is a right side elevational view of the third embodiment; and FIG. 21 is a left side elevational view of the third embodiment. FIG. 22 is a perspective view of a pipe coupling showing my new design in accordance with a fourth embodiment; FIG. 23 is a front elevational view of the fourth embodiment; FIG. 24 is a rear elevational view of the fourth embodiment; FIG. 25 is a top plan view of the fourth embodiment; FIG. 26 is a bottom plan view of the fourth embodiment; FIG. 27 is a right side elevational view of the fourth embodiment; and, FIG. 28 is a left side elevational view of the fourth embodiment. The solid gray surface shading represents a contrast in appearance.

1 Claim, 20 Drawing Sheets



(58) **Field of Classification Search**

USPC 285/197, 205, 206, 86, 89, 90, 92, 366,
 285/368, 406, 410, 412, 415; D8/382,
 D8/394–396; 403/290, 343, 344, 44, 46,
 403/57, 300, 296
 CPC F16L 5/027; F16L 5/10; F16L 23/0283;
 F16L 55/00; F16L 21/02; F16L 21/06;
 F16L 55/18; F16L 15/22; F16L 23/00;
 F16L 21/022; E03D 11/00; F16J 15/22;
 F16J 1/005; B65D 45/34

See application file for complete search history.

(56) **References Cited**

U.S. PATENT DOCUMENTS

D488,852 S	4/2004	Pampinella	
D577,423 S *	9/2008	Dole	D23/265
D597,635 S	8/2009	Dole	
D598,076 S *	8/2009	Dole	D23/262
D600,325 S	9/2009	Porter et al.	
D600,784 S *	9/2009	Henry	D23/262
D602,127 S *	10/2009	Shah	D23/262
D605,734 S *	12/2009	Henry	D23/262
D605,735 S *	12/2009	Shah	D23/262
D605,736 S	12/2009	Porter et al.	
D616,532 S *	5/2010	Madara	D23/262
D616,533 S	5/2010	Bowman et al.	
D618,312 S	6/2010	Madara et al.	
D618,314 S *	6/2010	Bowman	D23/262
D629,074 S *	12/2010	Shah	D23/262
D629,080 S *	12/2010	Dole	D23/262
D629,082 S	12/2010	Dole et al.	
D650,889 S	12/2011	Van Walraven	
D680,630 S *	4/2013	Beagen, Jr.	D23/262
D813,025 S	3/2018	Yesavage et al.	
2016/0186902 A1	6/2016	Lee	

* cited by examiner

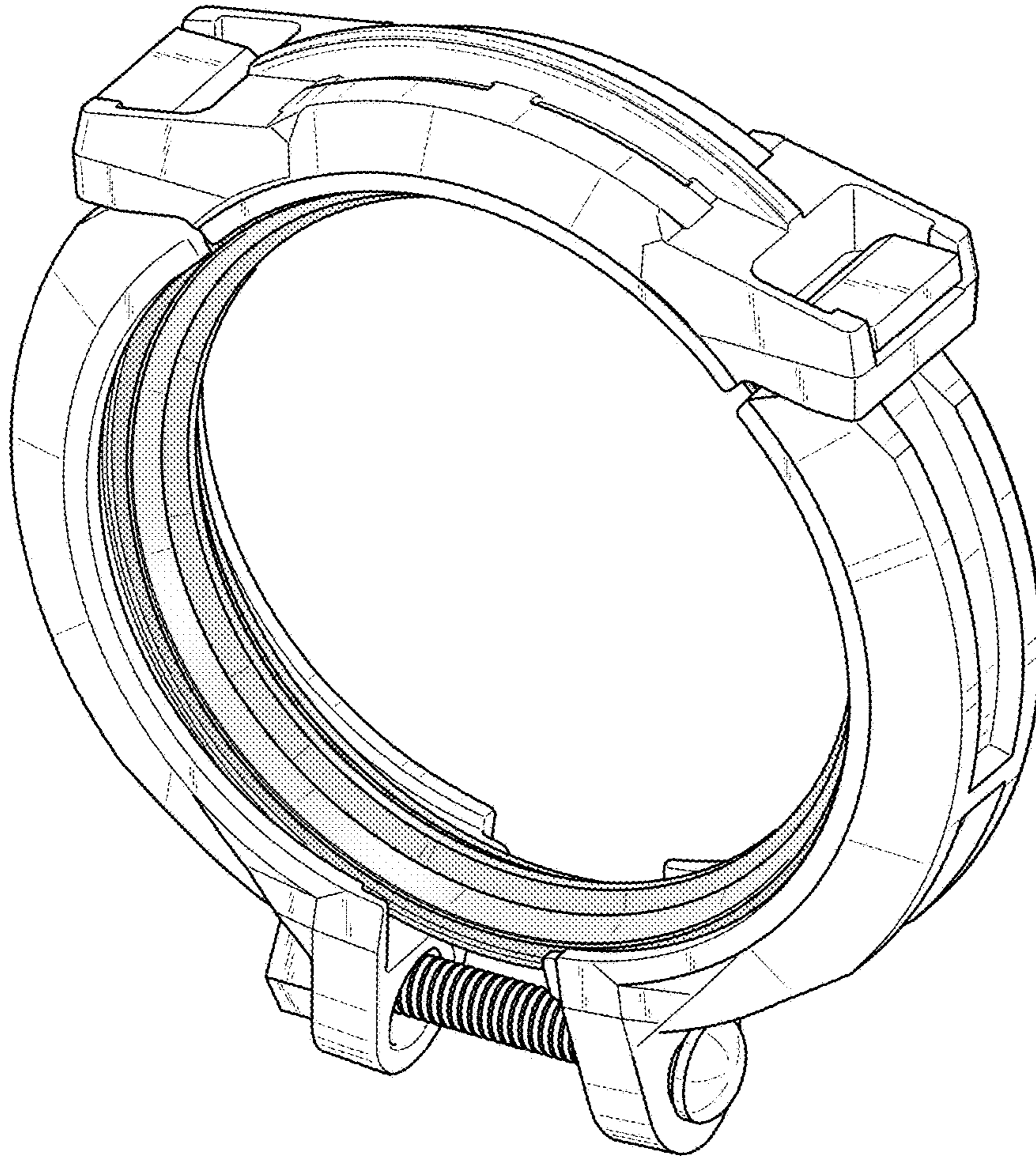


Fig. 1

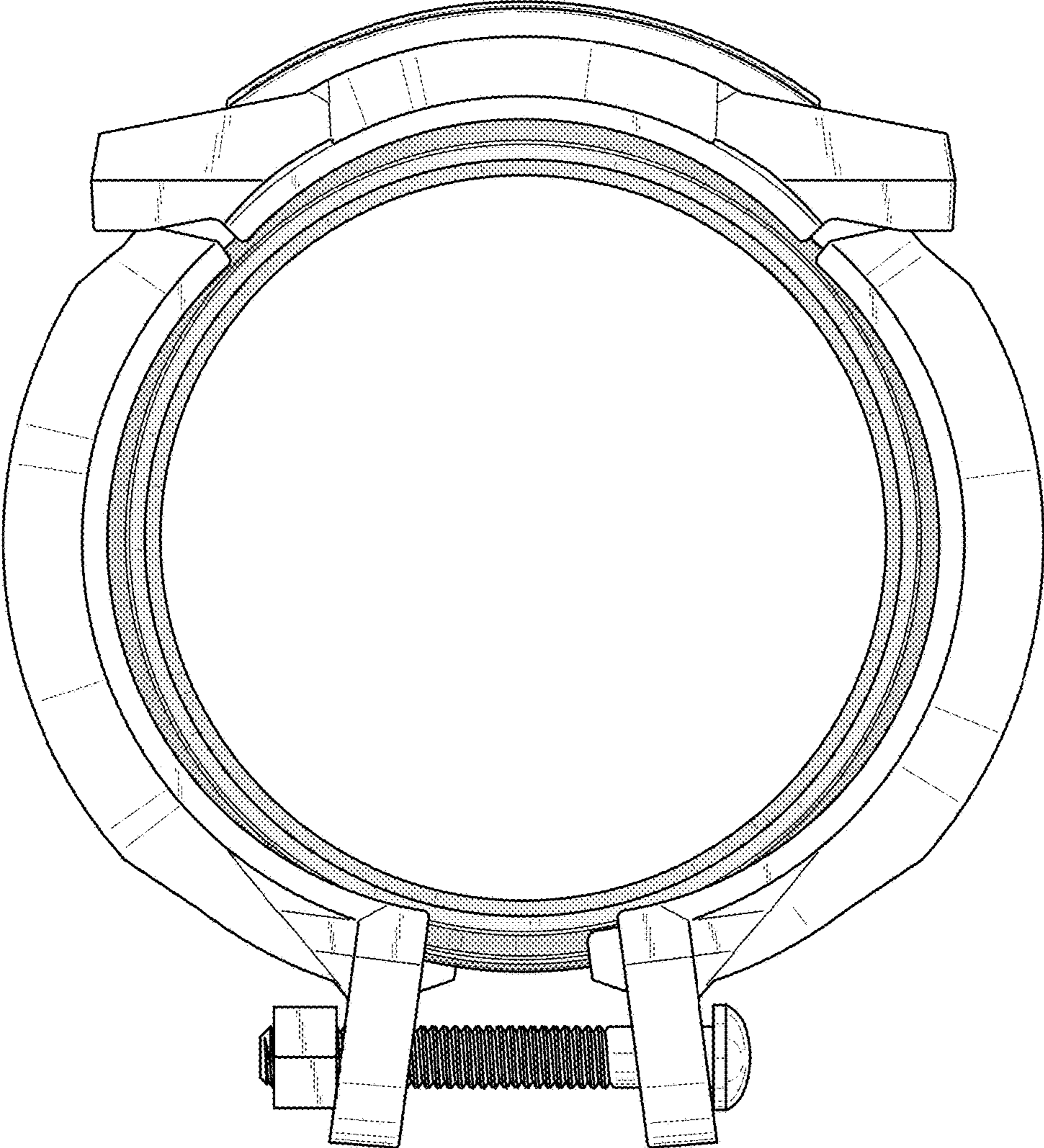


Fig. 2

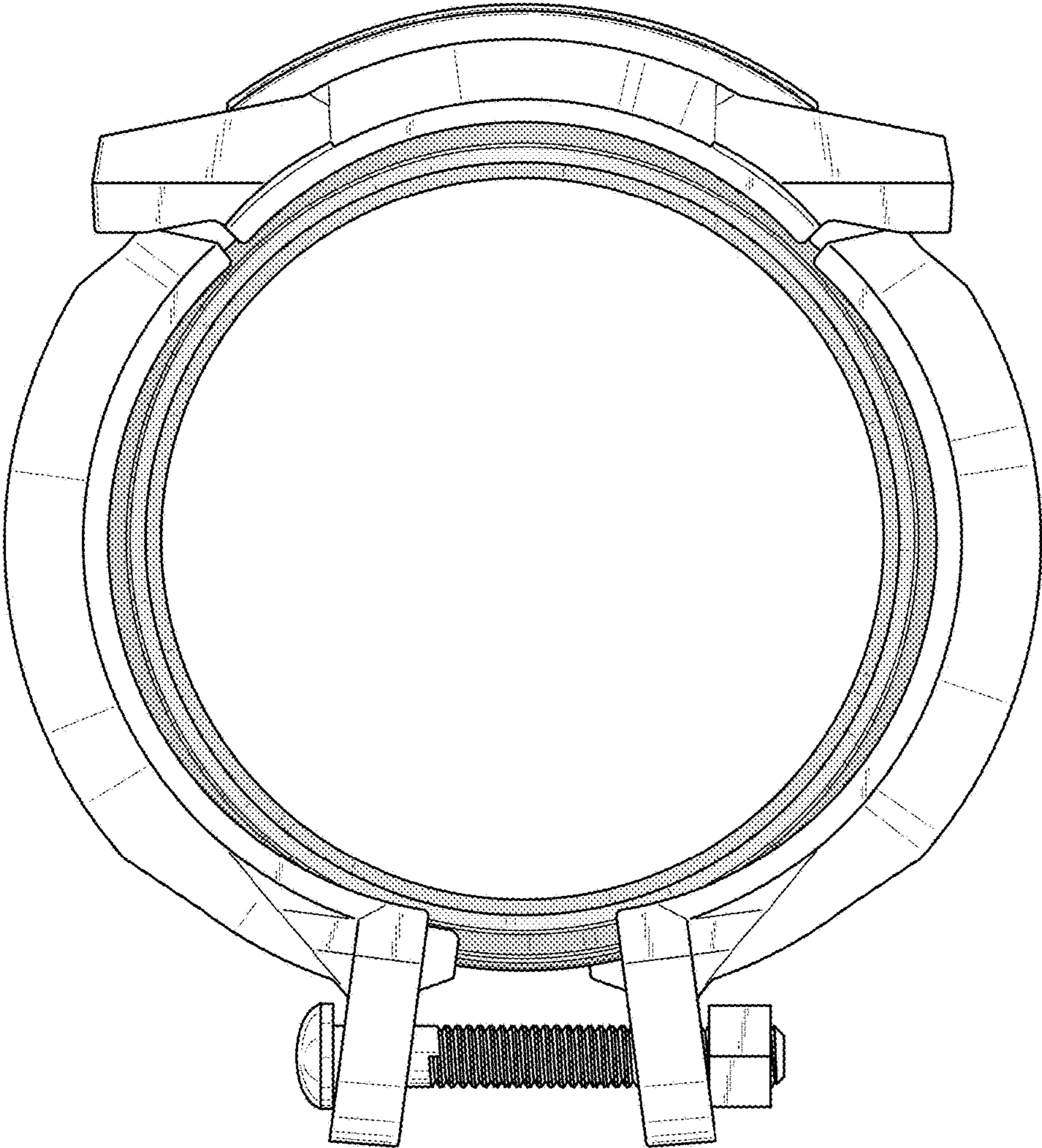


Fig. 3

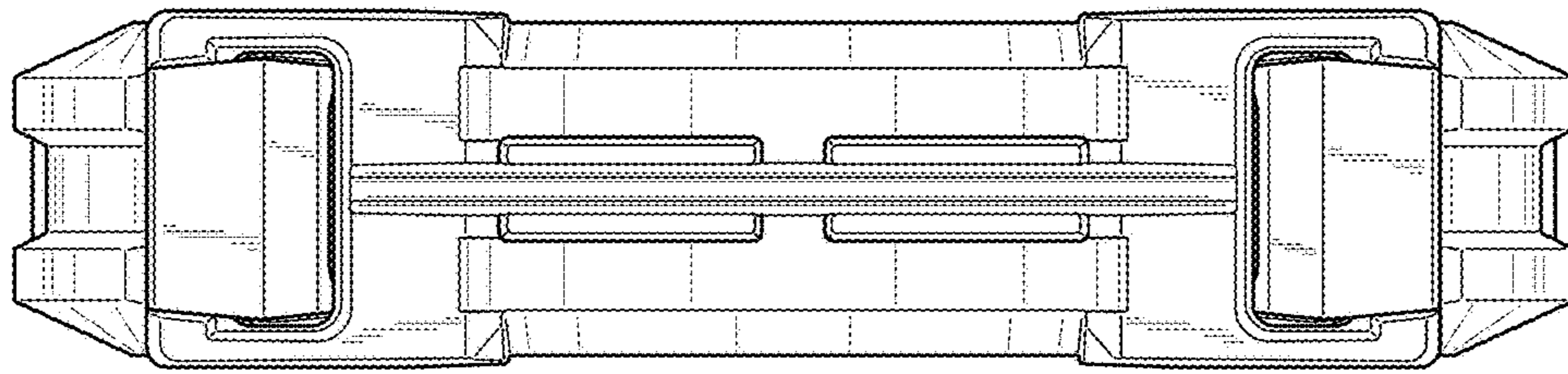


Fig. 4

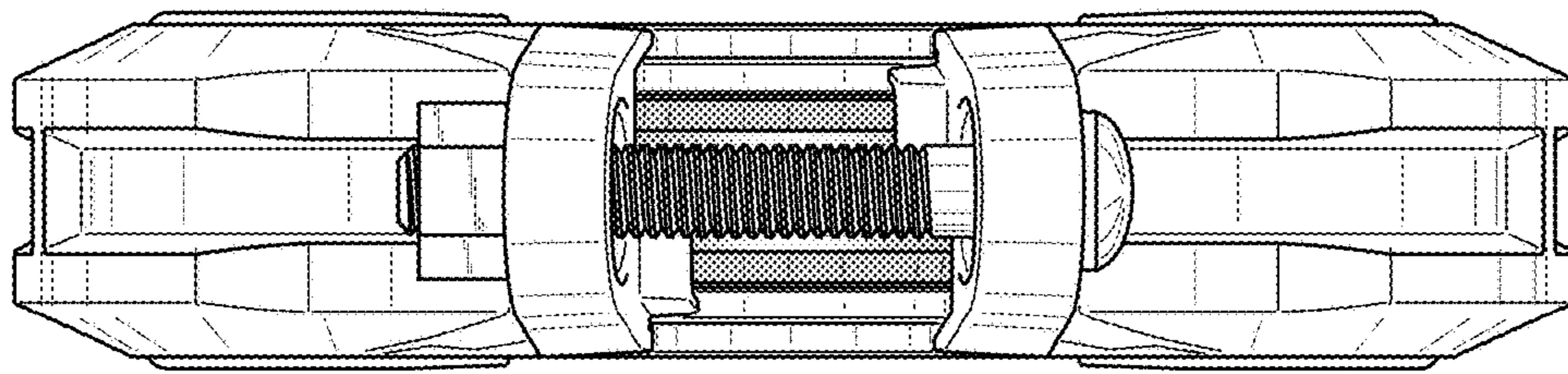


Fig. 5

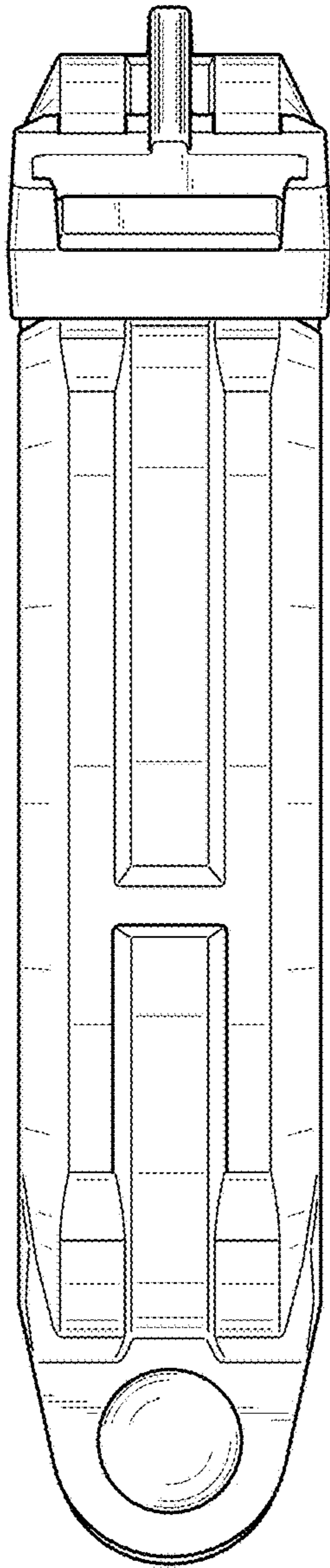


Fig. 6

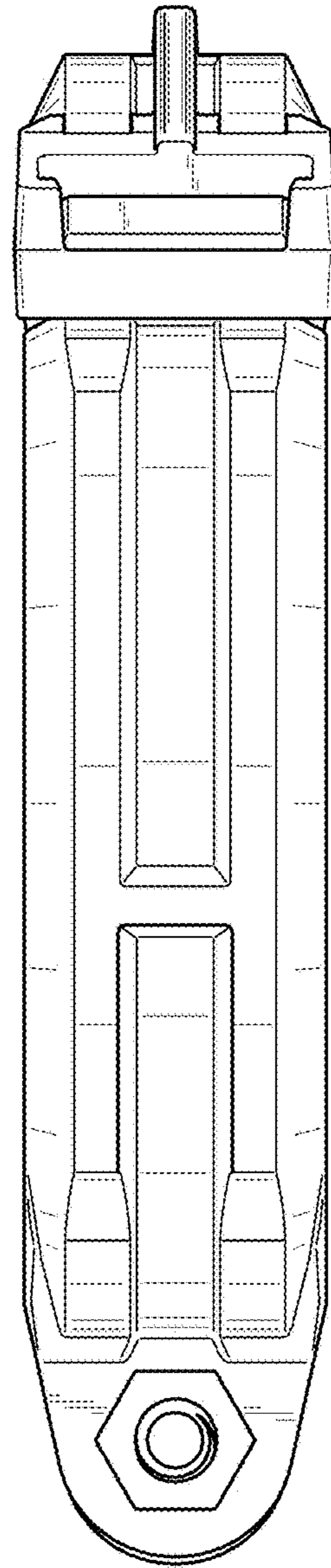


Fig. 7

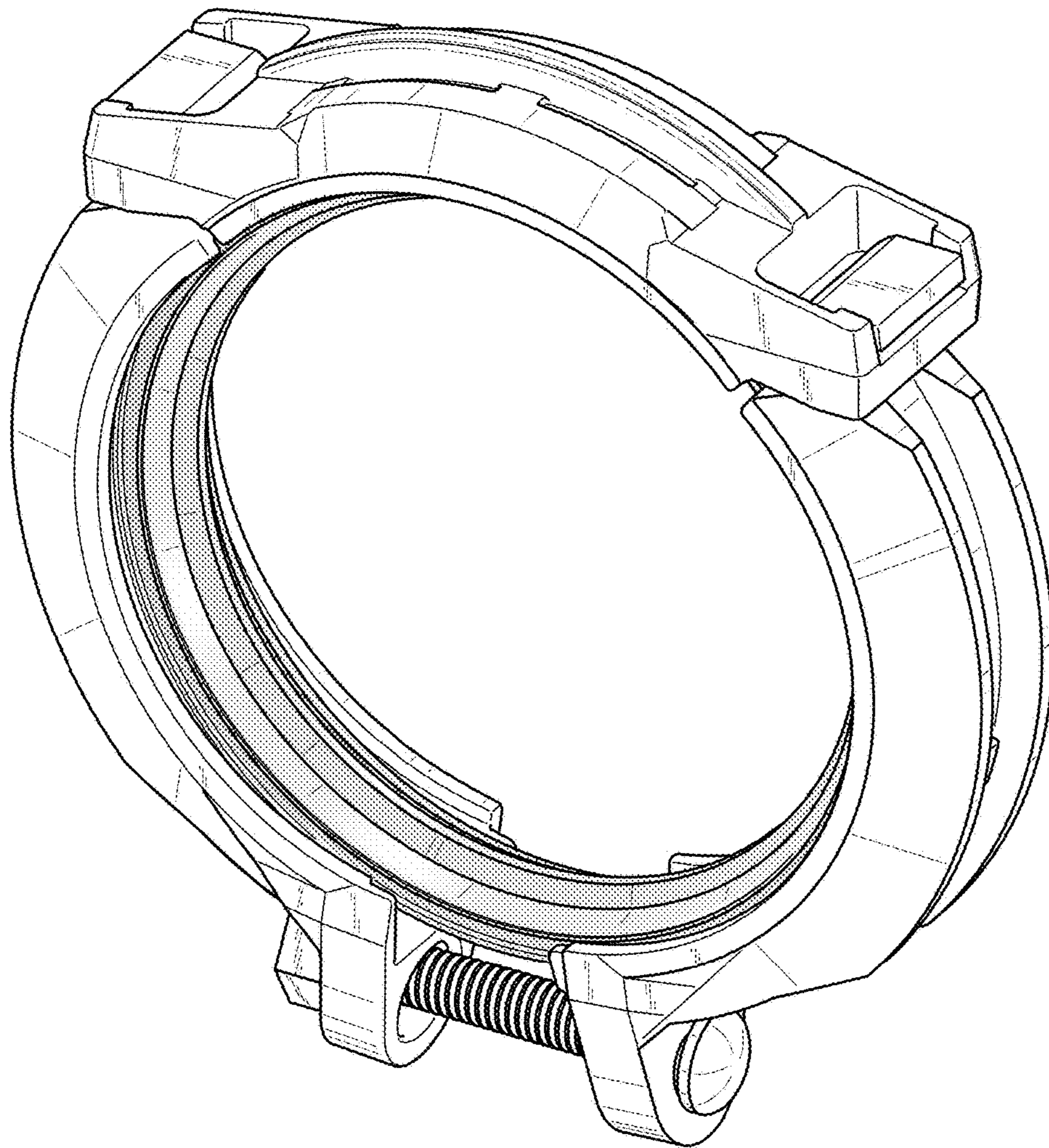


Fig. 8

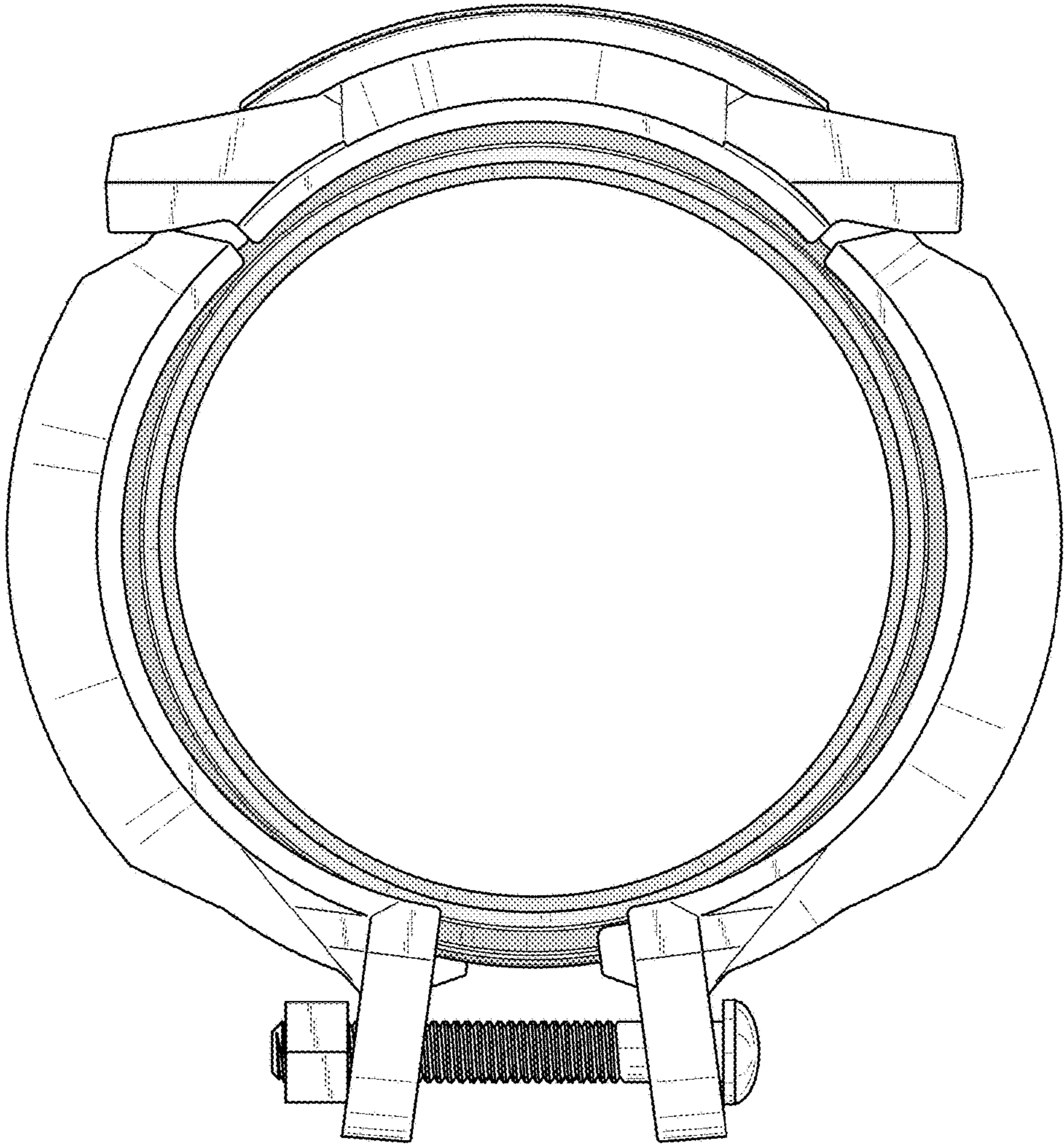


Fig. 9

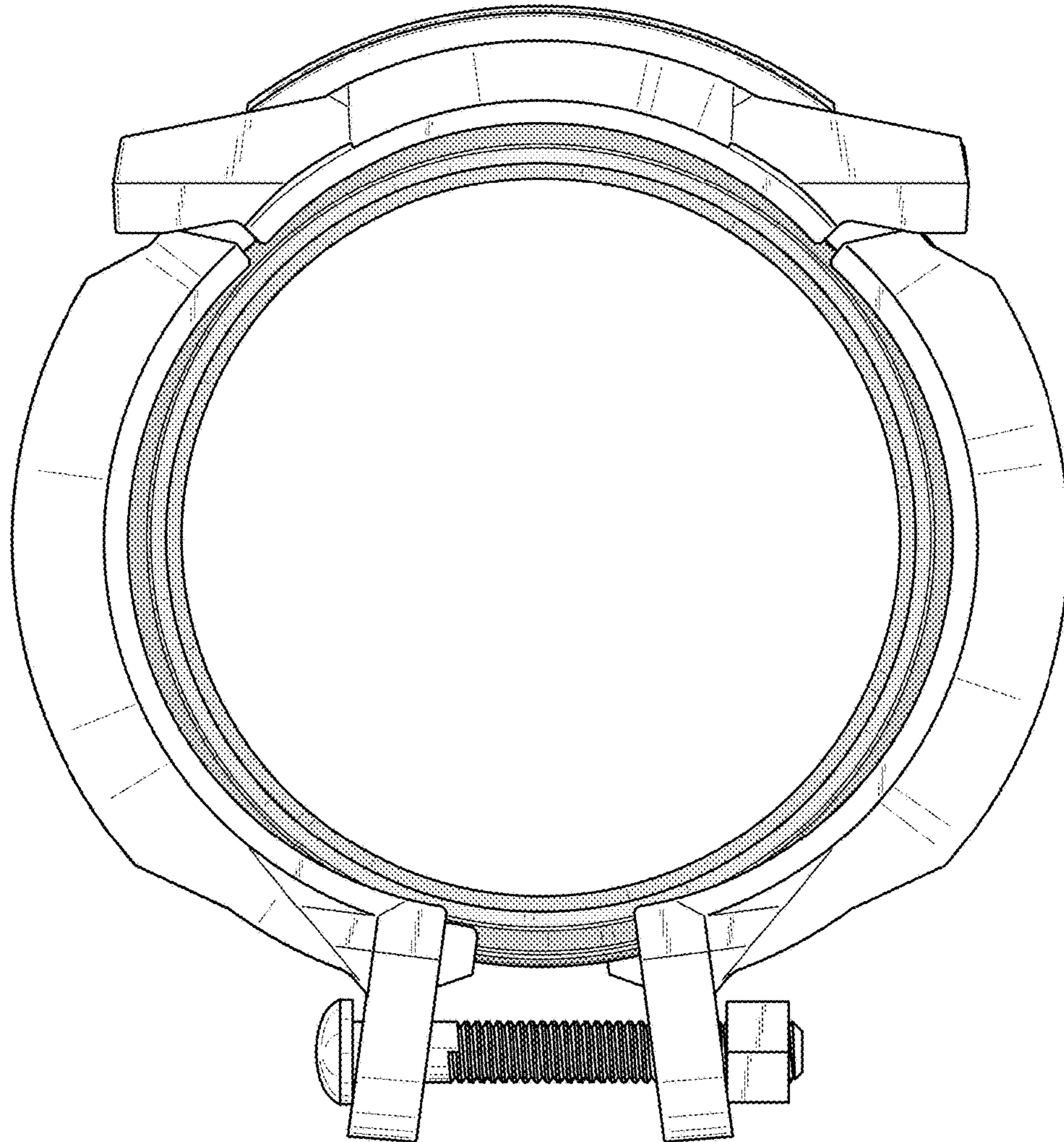


Fig. 10

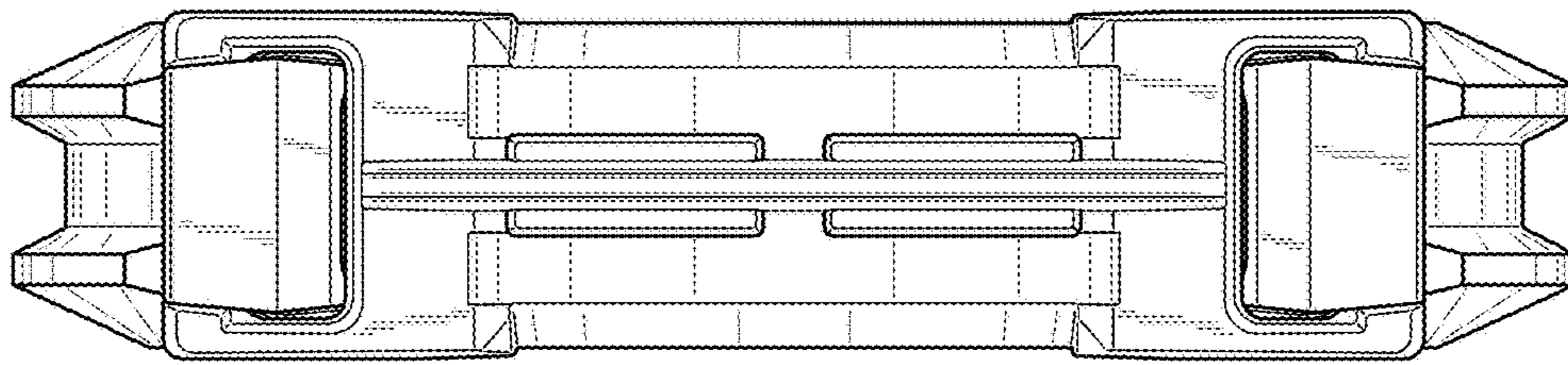


Fig. 11

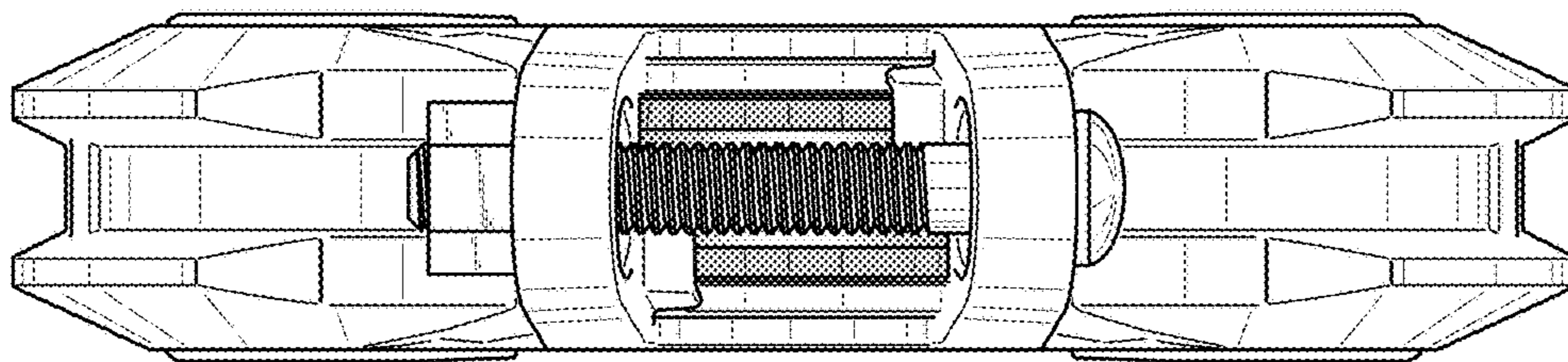


Fig. 12

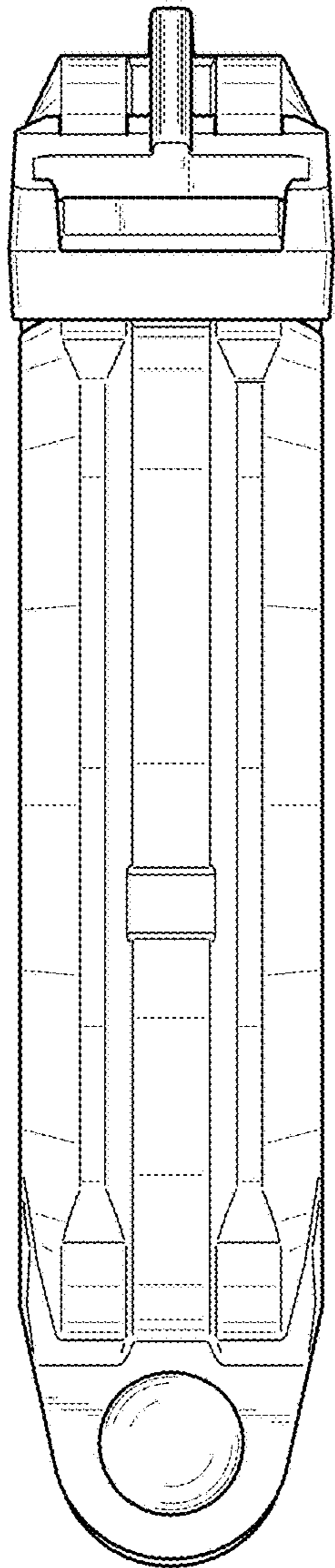


Fig. 13

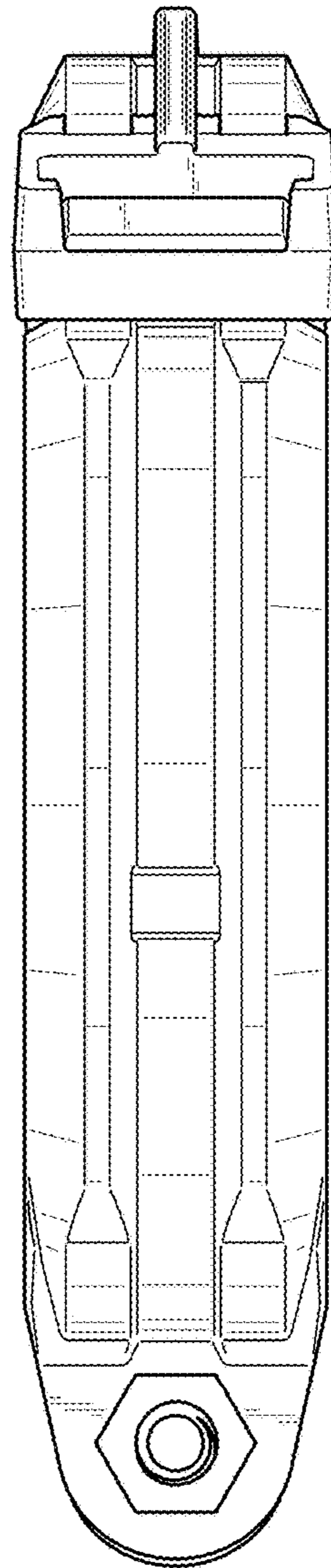


Fig. 14

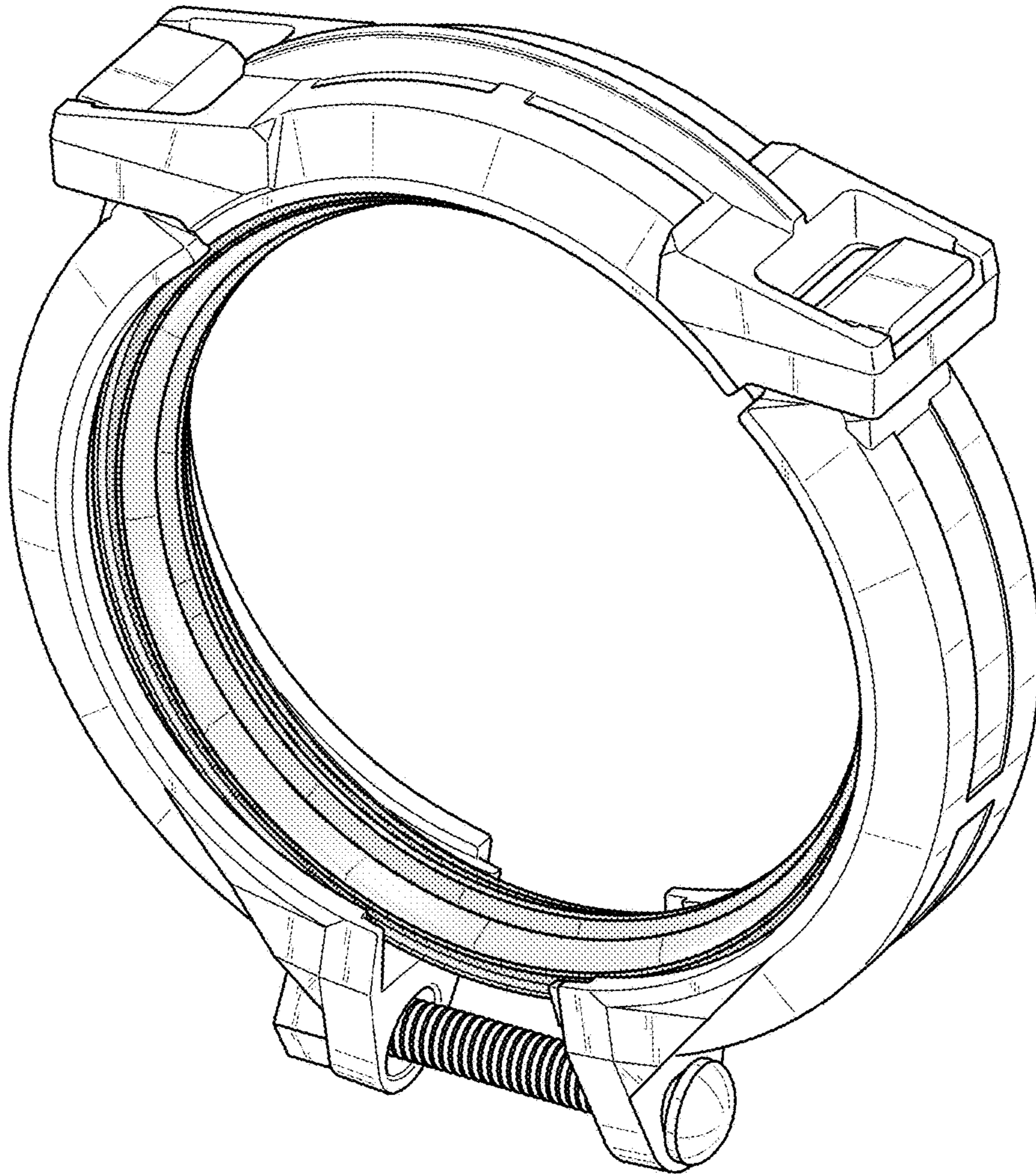


Fig. 15

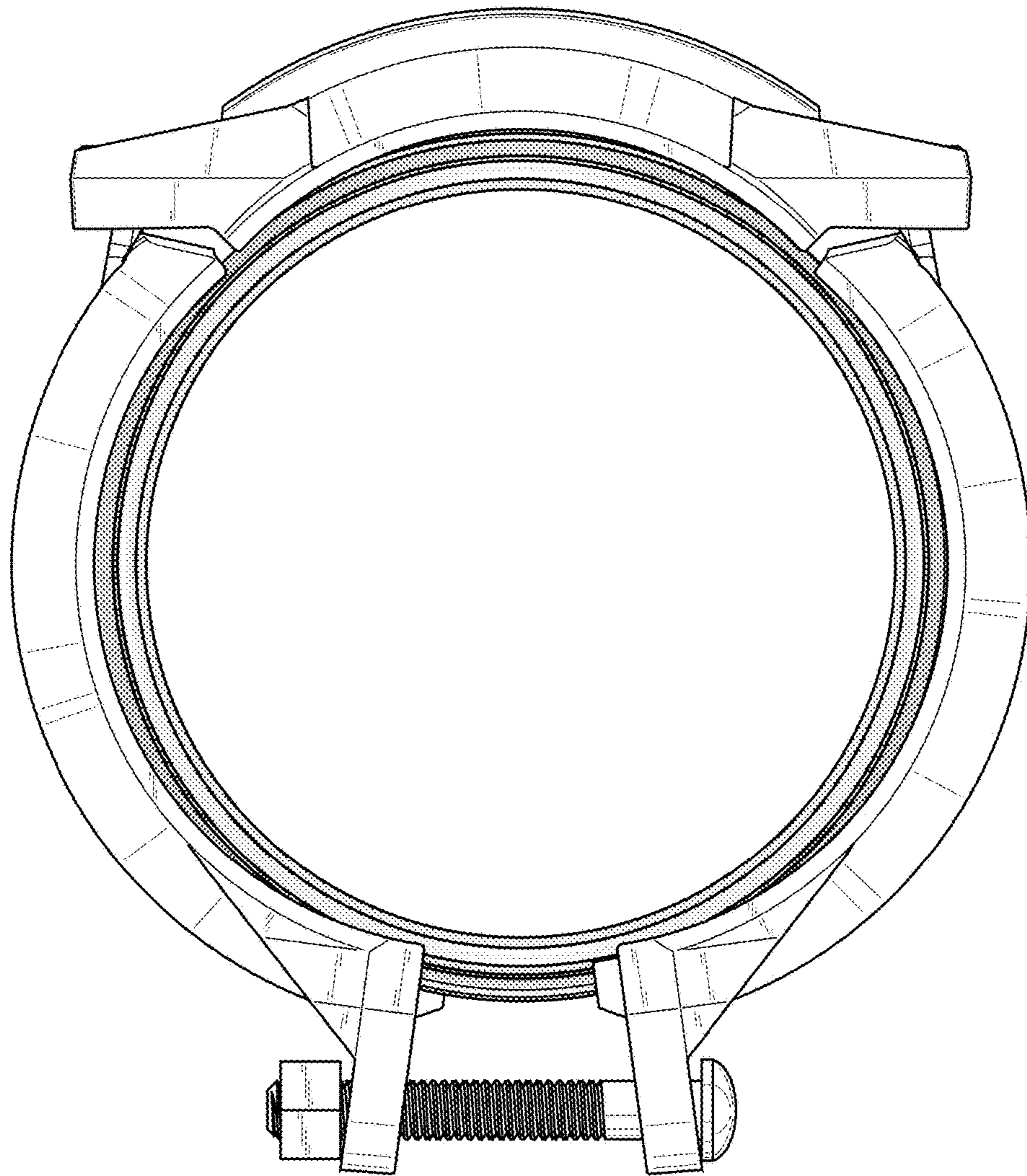


Fig. 16

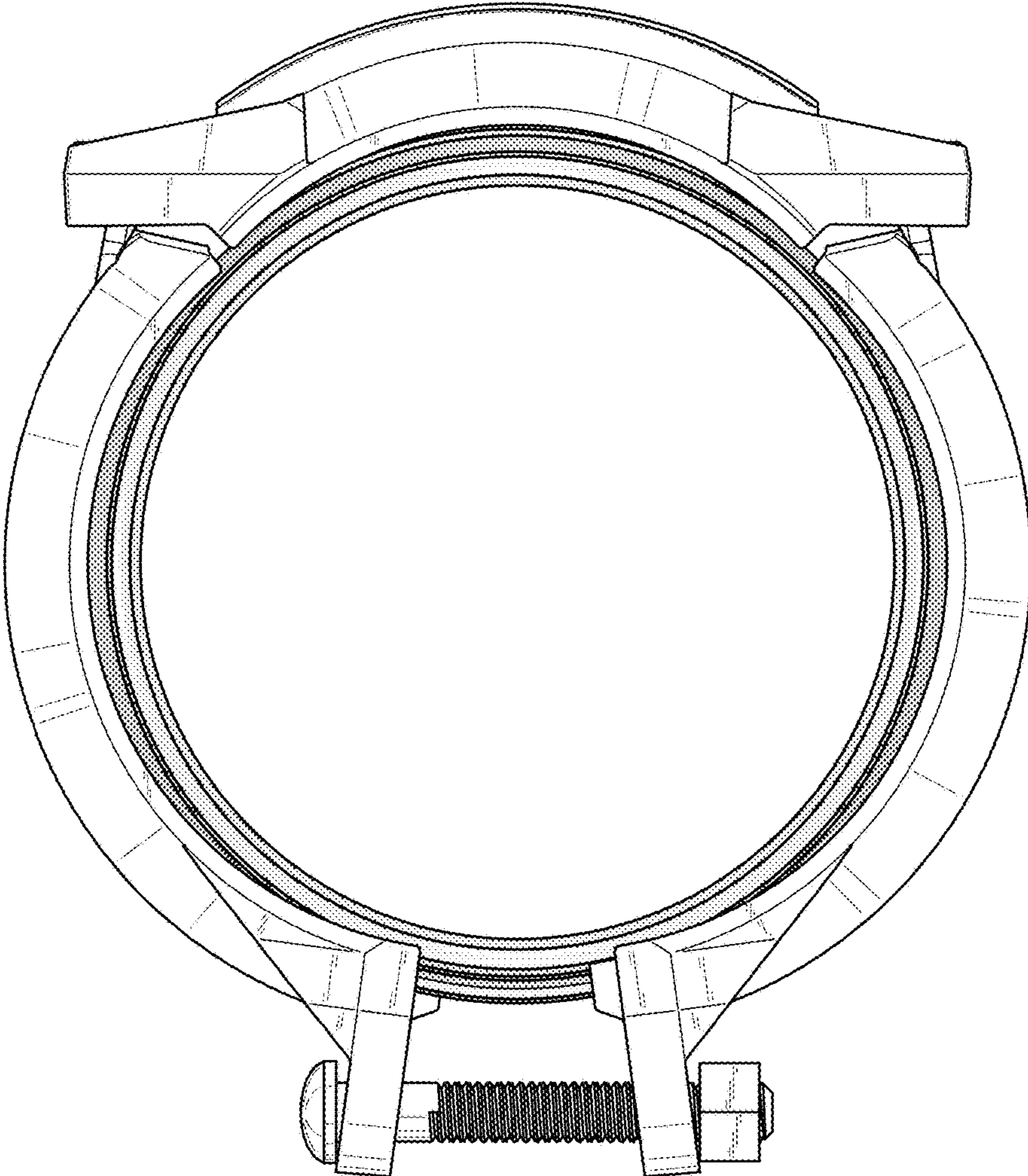


Fig. 17

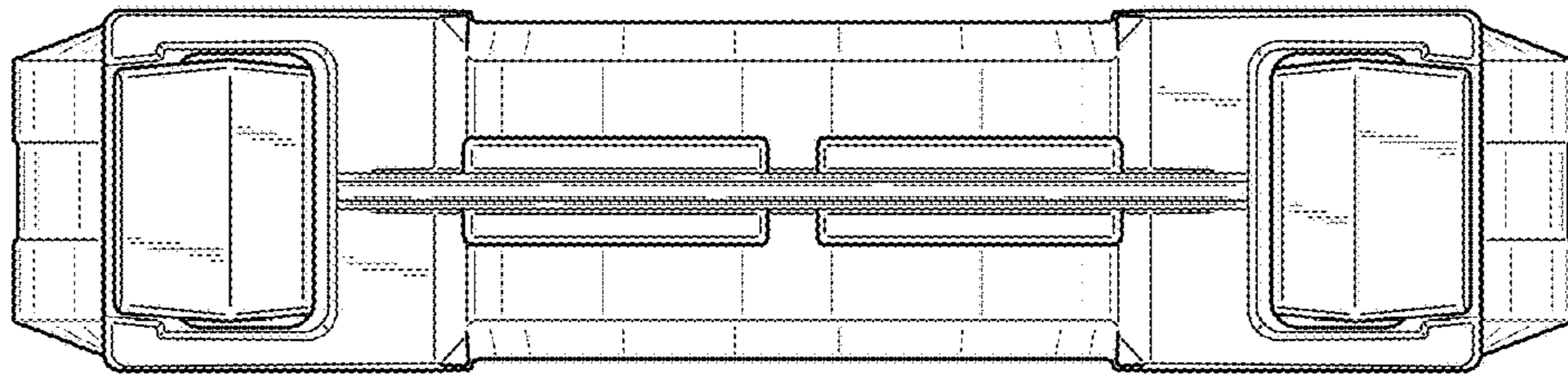


Fig. 18

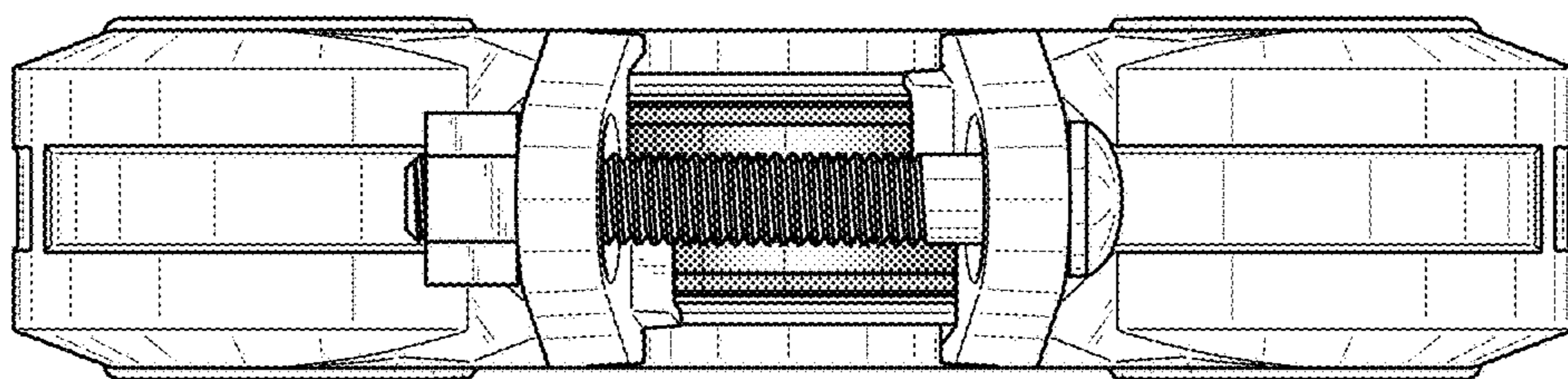


Fig. 19

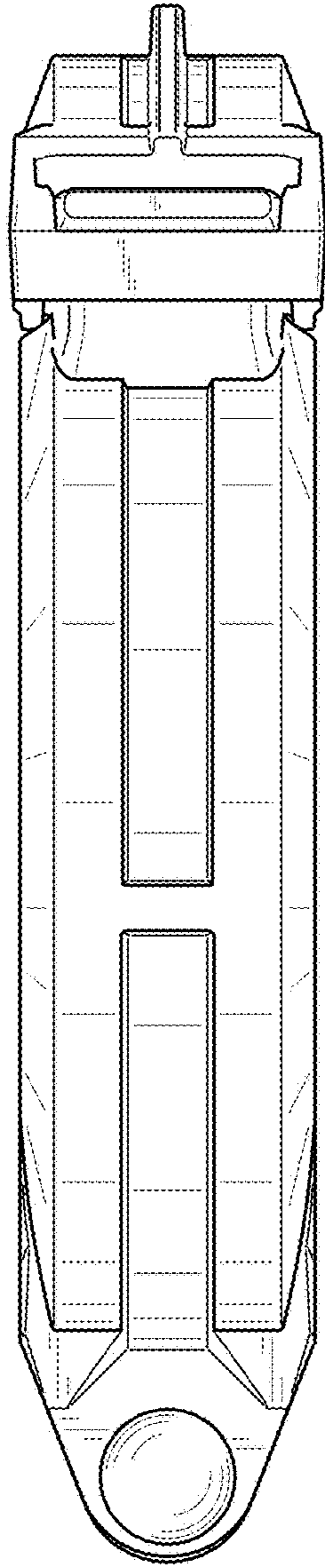


Fig. 20

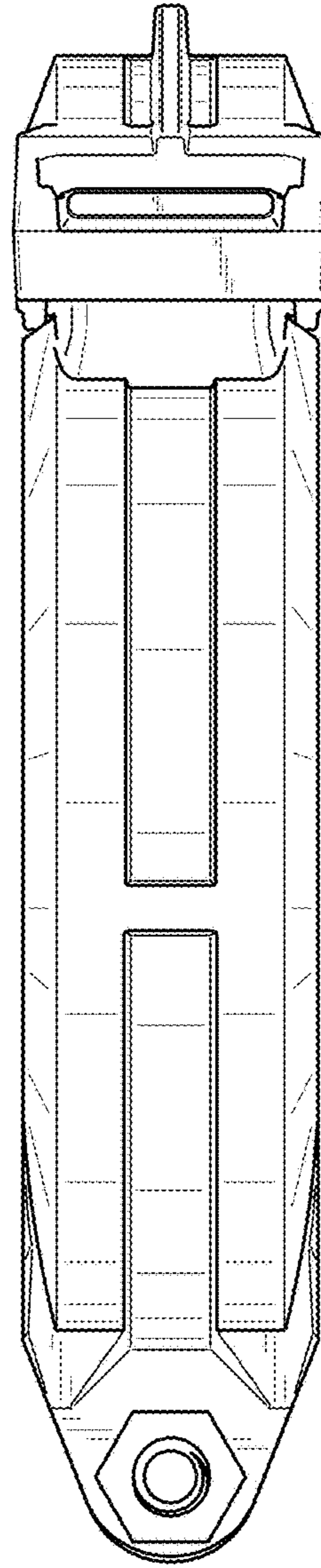


Fig. 21

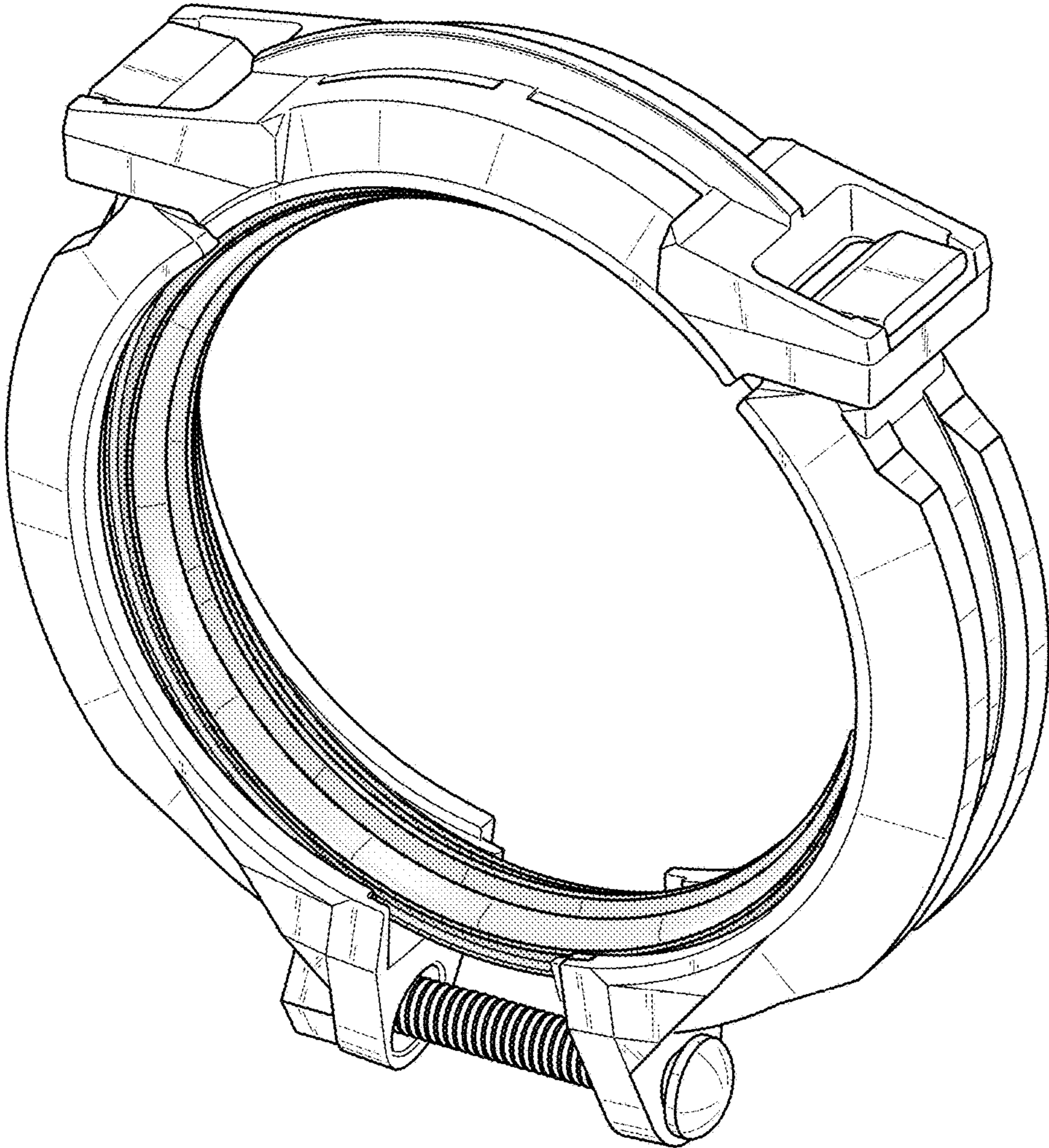


Fig. 22

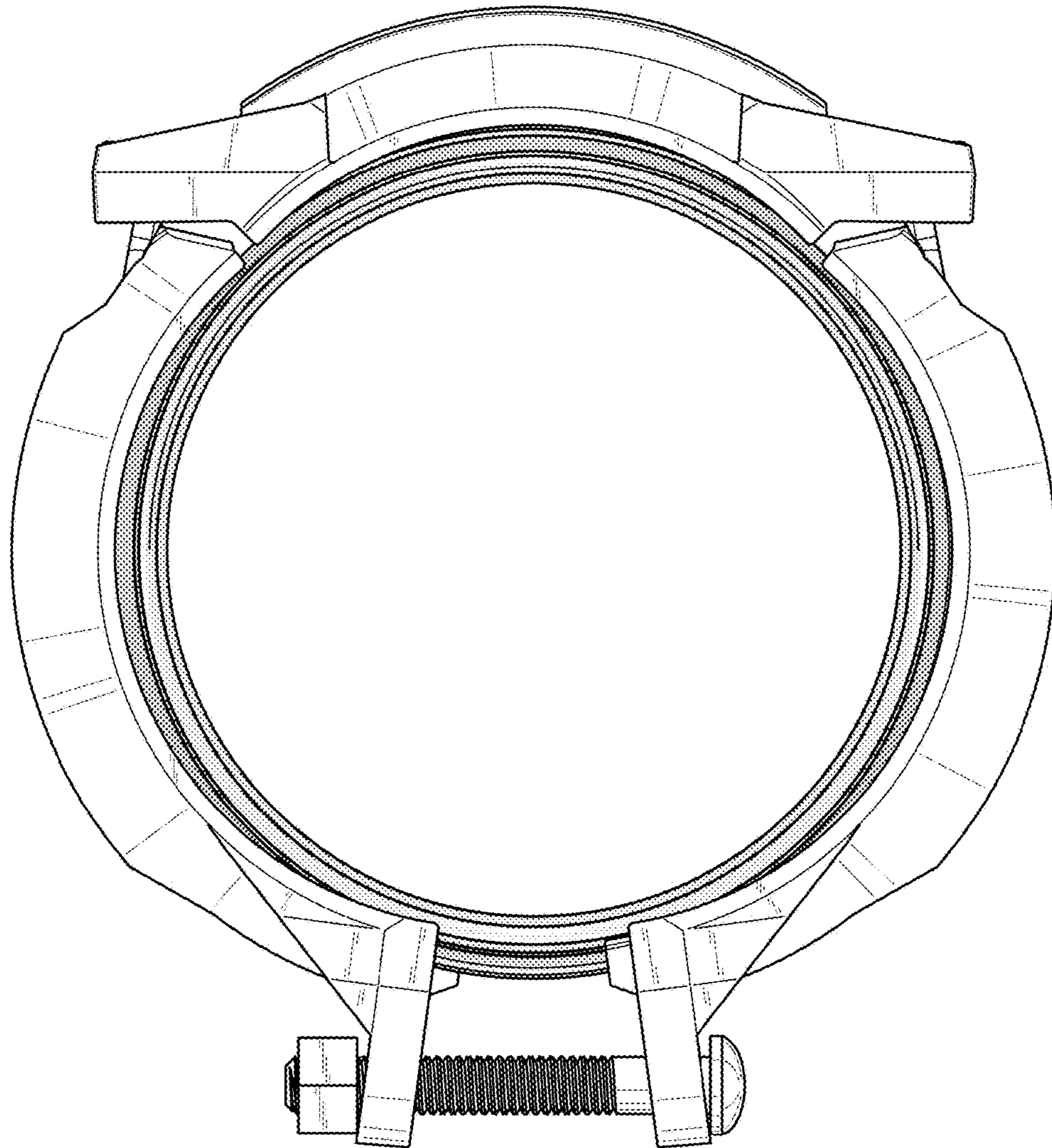


Fig. 23

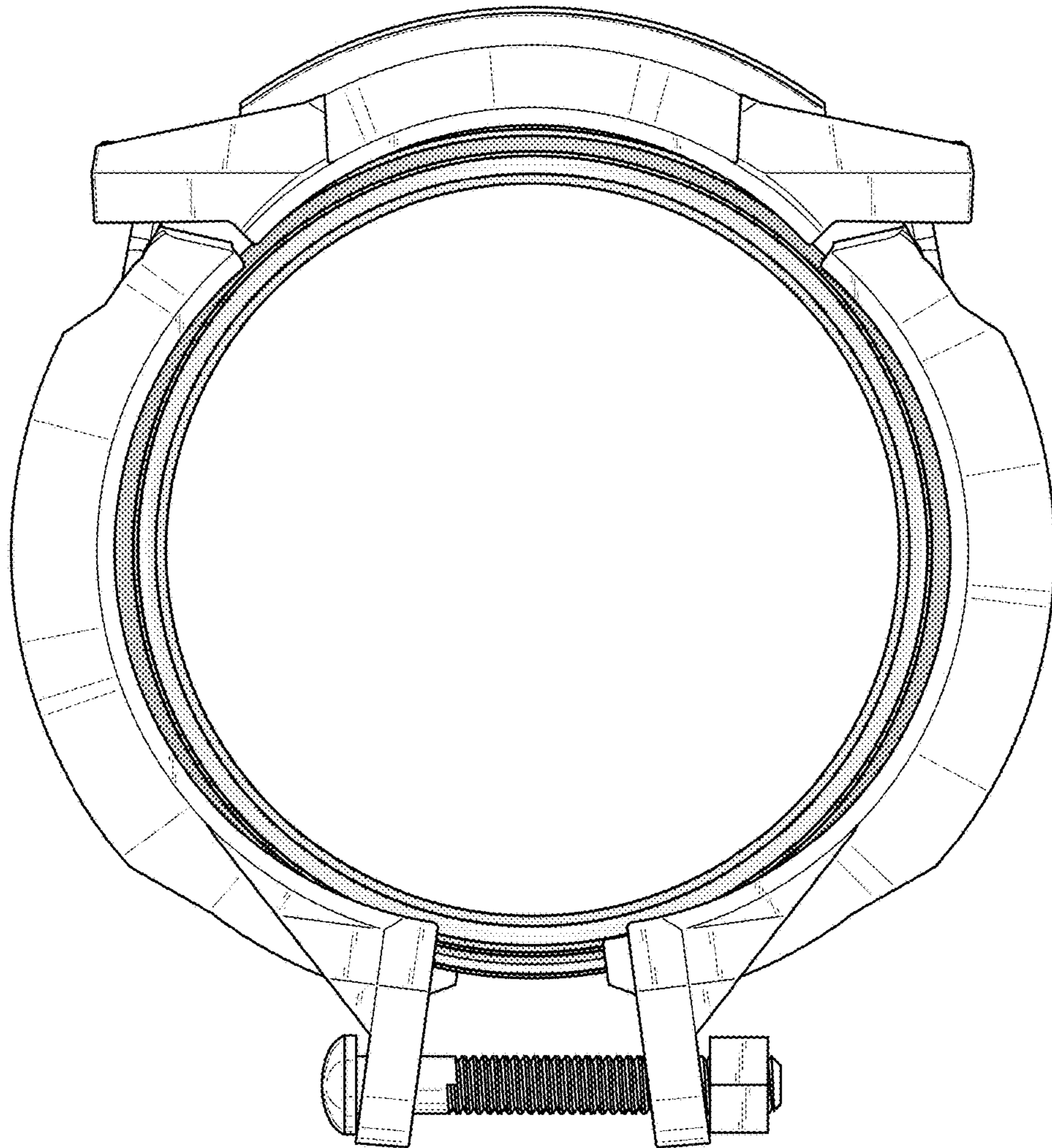


Fig. 24

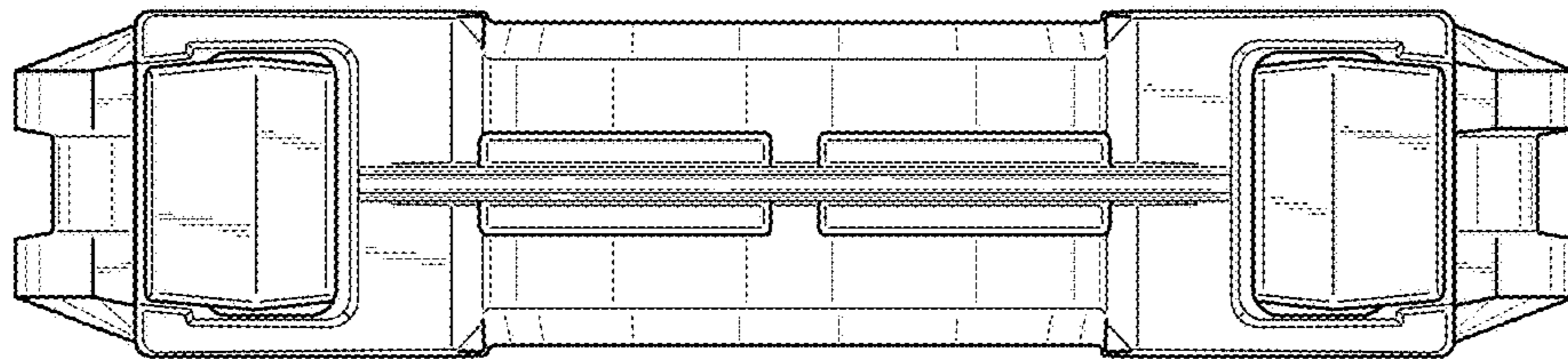


Fig. 25

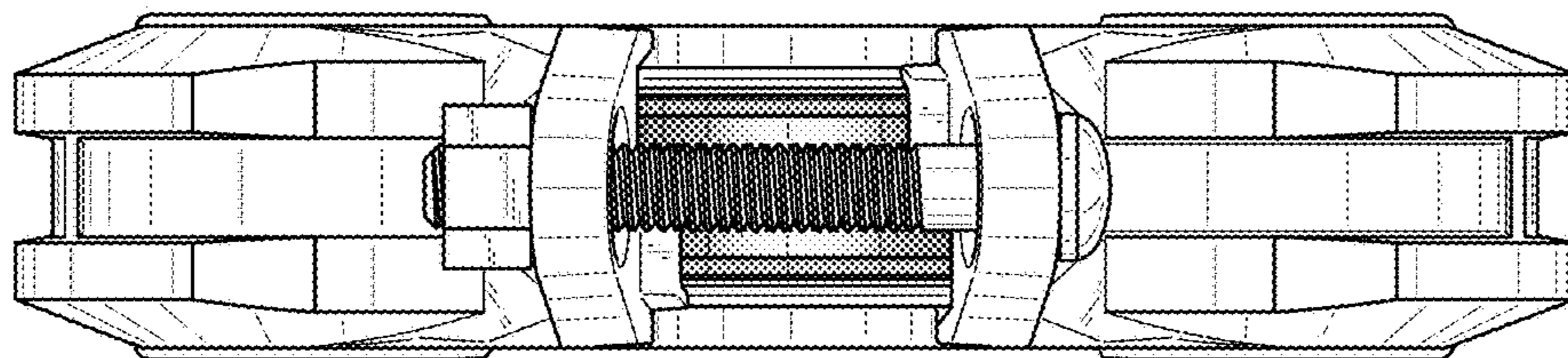


Fig. 26

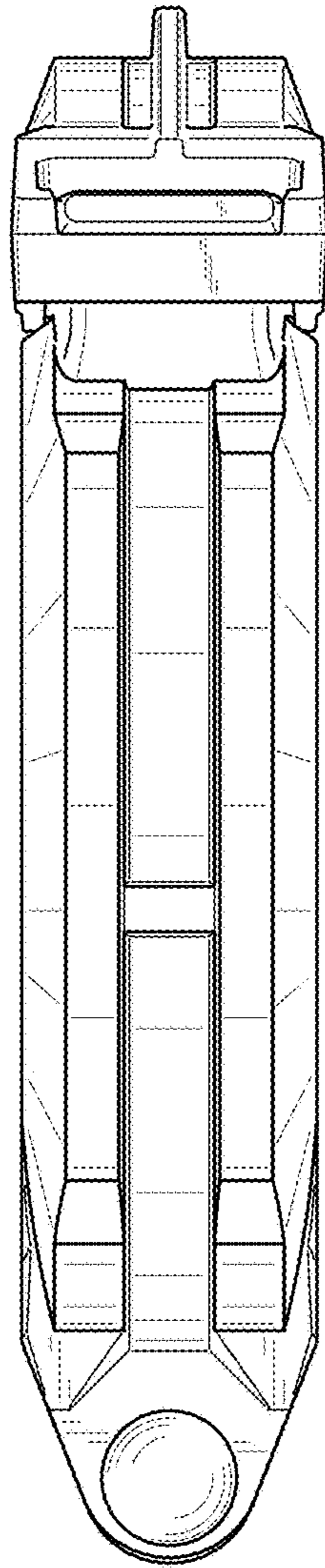


Fig. 27

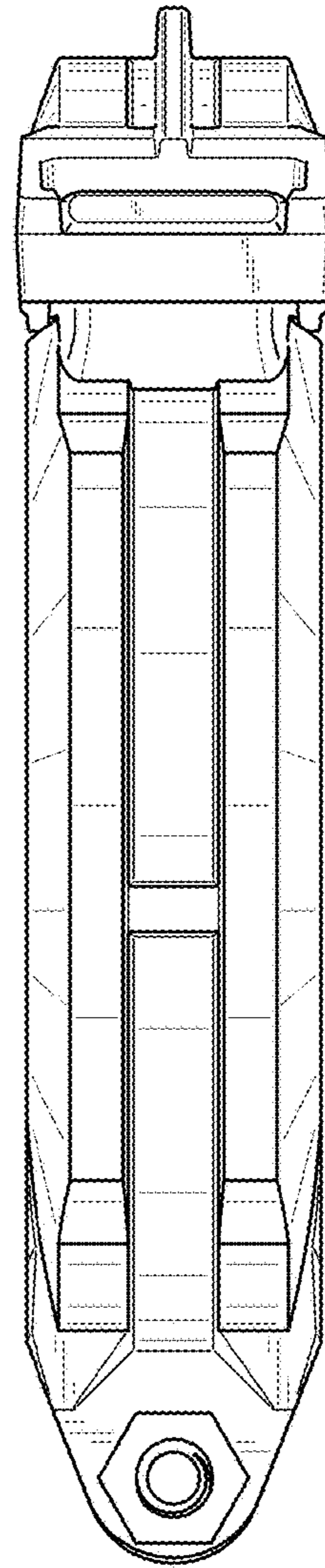


Fig. 28