



US00D836182S

(12) **United States Design Patent** (10) **Patent No.:** **US D836,182 S**
Bellavita et al. (45) **Date of Patent:** **** Dec. 18, 2018**

(54) **COUNTERTOP WATER FILTRATION SYSTEM**

(71) Applicants: **Rafael Bellavita**, Marina del Rey, CA (US); **Tatiana Bellavita**, Marina del Rey, CA (US)

(72) Inventors: **Rafael Bellavita**, Marina del Rey, CA (US); **Tatiana Bellavita**, Marina del Rey, CA (US)

(**) Term: **15 Years**

(21) Appl. No.: **29/582,111**

(22) Filed: **Oct. 25, 2016**

(51) **LOC (11) Cl.** **23-01**

(52) **U.S. Cl.**
USPC **D23/209**

(58) **Field of Classification Search**
USPC D23/207, 209–210, 211.2, 208;
422/264–265
CPC . C02F 1/00; C02F 1/003; B01D 35/00; B01D 35/35; B01D 35/153
See application file for complete search history.

(56) **References Cited**

U.S. PATENT DOCUMENTS

D296,463 S *	6/1988	Padilla	D23/207
D320,640 S *	10/1991	Goodwin	D23/209
D338,705 S *	8/1993	Spokoiny	D23/209
5,328,606 A *	7/1994	Warren	B01D 27/08 210/238
D374,911 S *	10/1996	Kahana	D23/209
D380,535 S *	7/1997	Joergensen	D23/209
D388,154 S *	12/1997	Pesa	D23/209
D412,963 S *	8/1999	Nelsen	D23/207
D420,093 S *	2/2000	Hayes	D23/209
D441,422 S *	5/2001	Jensen	D23/209
6,328,883 B1 *	12/2001	Jensen	B01D 27/00 123/196 A

D479,300 S *	9/2003	Janik	D23/209
D484,568 S *	12/2003	Janik	D23/209
D618,761 S *	6/2010	Reid	D23/209
D637,692 S *	5/2011	Riedel	D23/209
D674,463 S *	1/2013	Wilder	D23/209
D685,449 S *	7/2013	Patera	D23/209
D685,450 S *	7/2013	Patera	D23/209
D685,451 S *	7/2013	Patera	D23/209
8,790,511 B2 *	7/2014	Yang	C02F 1/002 210/85
D728,069 S *	4/2015	Moore	D23/209
D752,177 S *	3/2016	Enomoto	D23/207
D773,606 S *	12/2016	Ruprecht	D23/209
D782,000 S *	3/2017	Morris	D23/209
D791,276 S *	7/2017	Sharratt	D23/209
D792,553 S *	7/2017	Hierro	D23/209
D794,751 S *	8/2017	Zou	D23/209
2007/0095744 A1 *	5/2007	Bagci	B01D 29/21 210/435
2016/0031719 A1 *	2/2016	Yang	C02F 1/002 210/416.3
2017/0100685 A1 *	4/2017	Ren	B01D 35/005

* cited by examiner

Primary Examiner — Holly H Baynham
Assistant Examiner — James C Thorn, Sr.

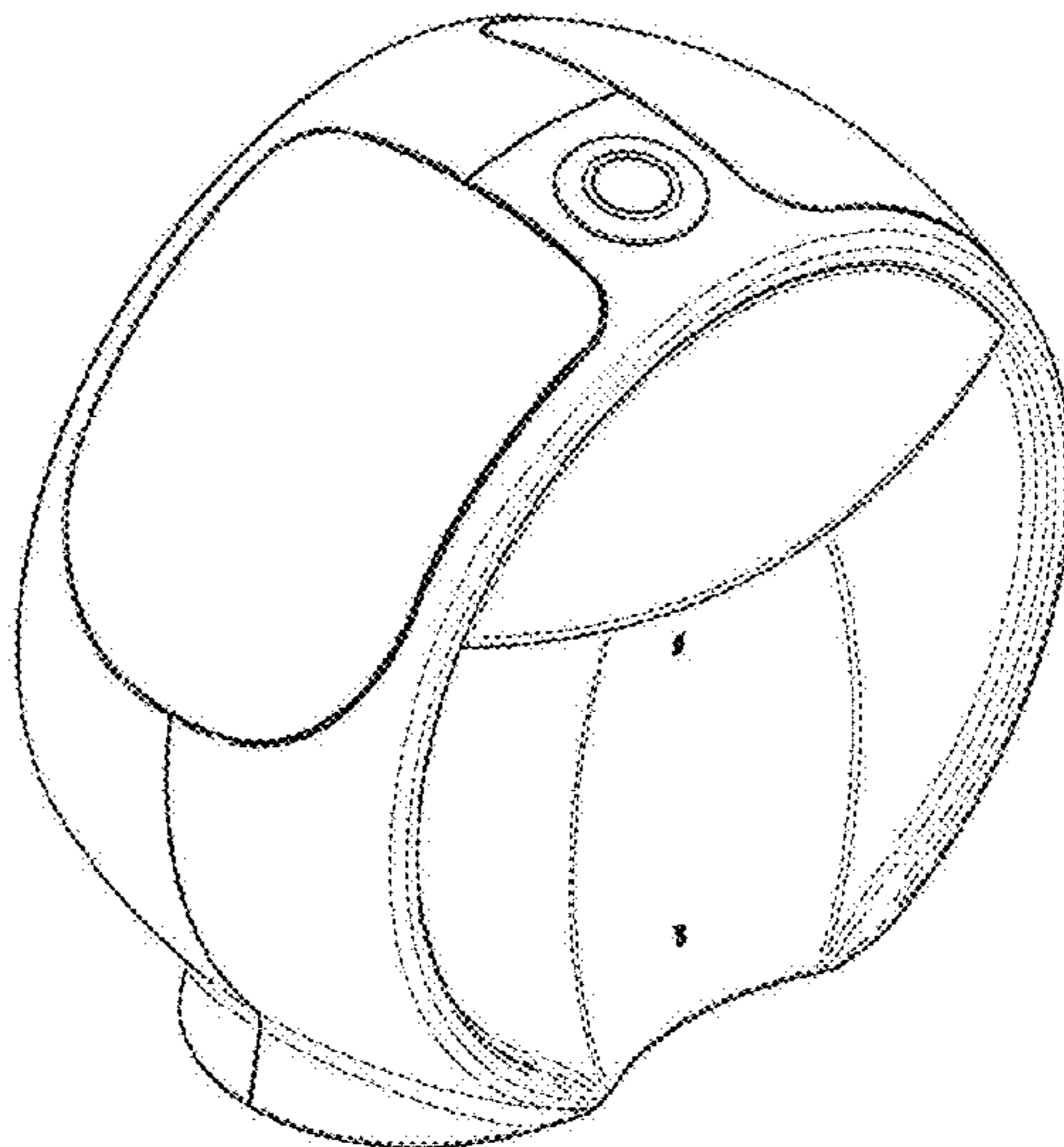
(57) **CLAIM**

The ornamental design for a countertop water filtration system, as shown and described.

DESCRIPTION

FIG. 1 is a front perspective view of a counter top filtration system, showing our new design;
FIG. 2 is a rear view thereof;
FIG. 3 is a front elevation view;
FIG. 4 is a rear elevation view;
FIG. 5 is a left side view thereof;
FIG. 6 is a right plan view thereof;
FIG. 7 is a top plan view thereof; and,
FIG. 8 is a bottom plan view thereof.

1 Claim, 8 Drawing Sheets



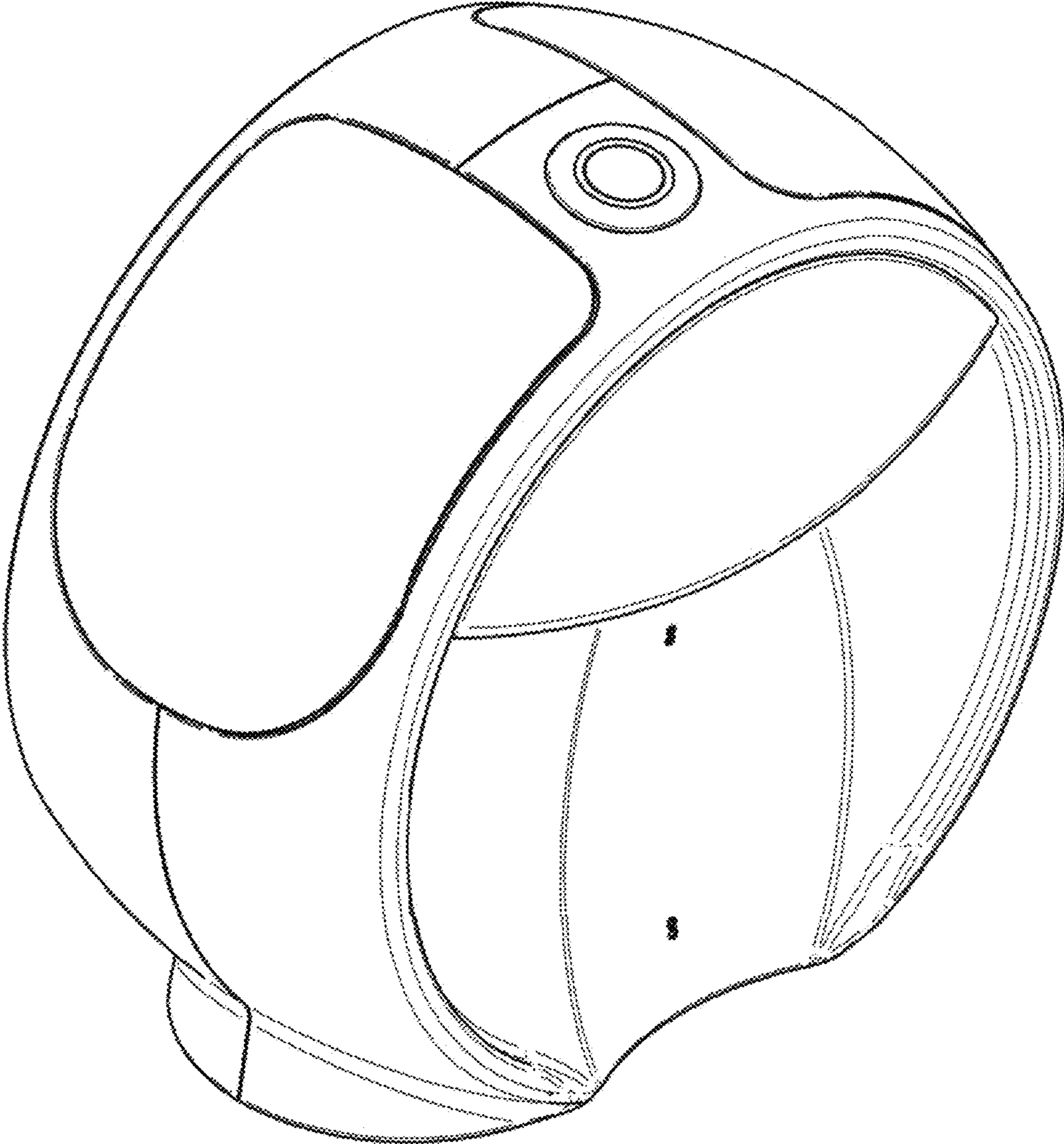


FIG. 1

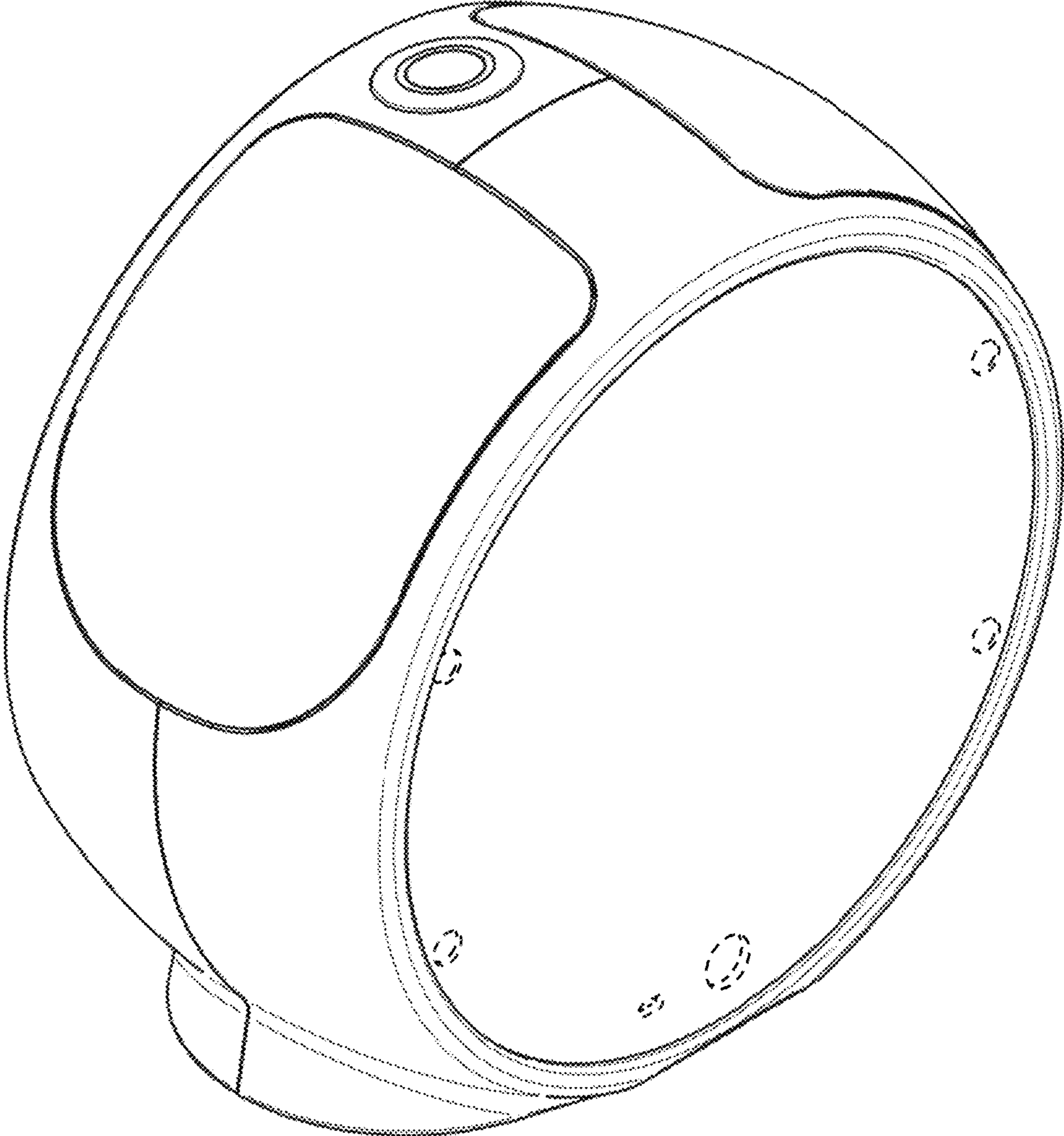


FIG. 2

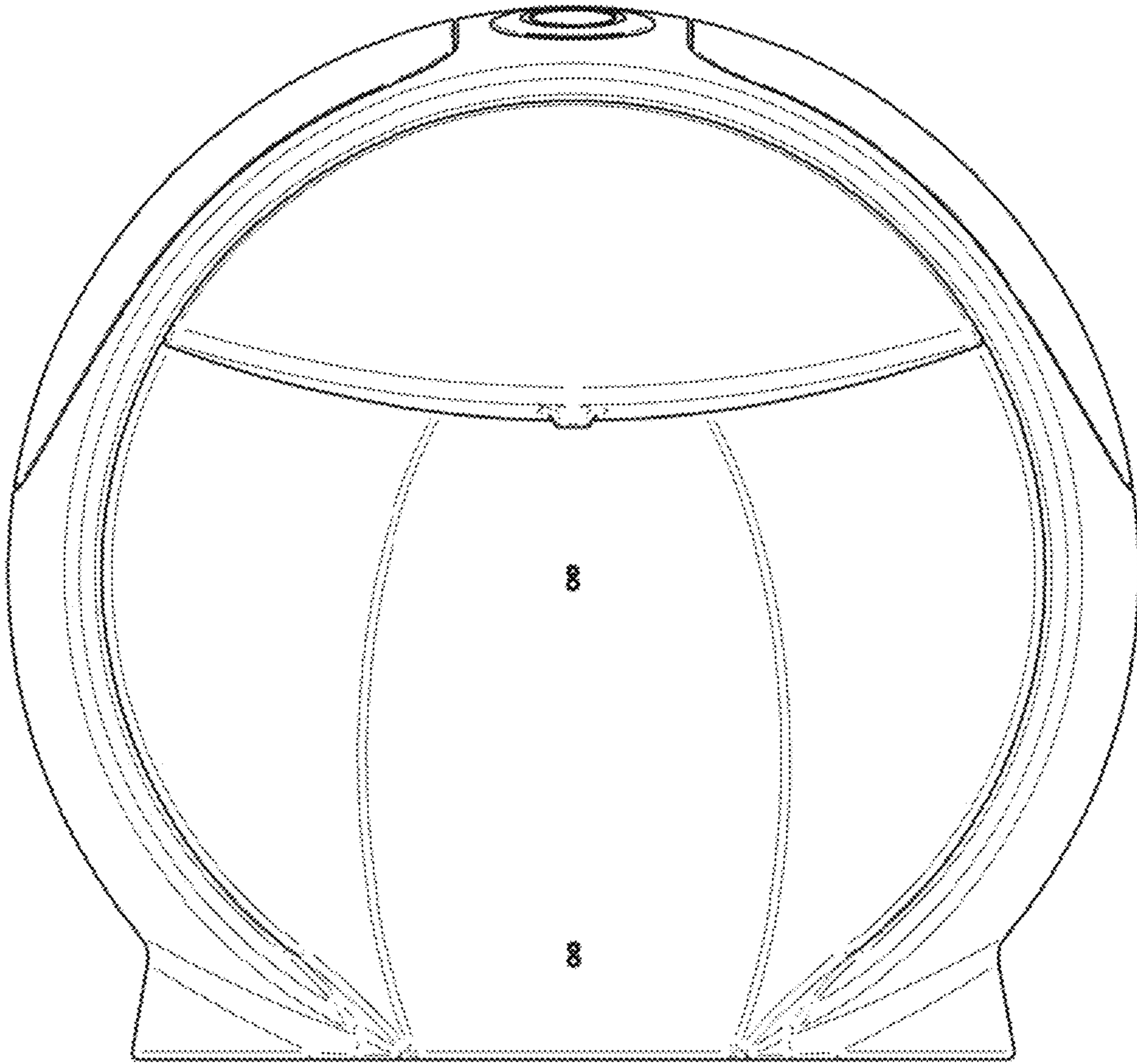


FIG. 3

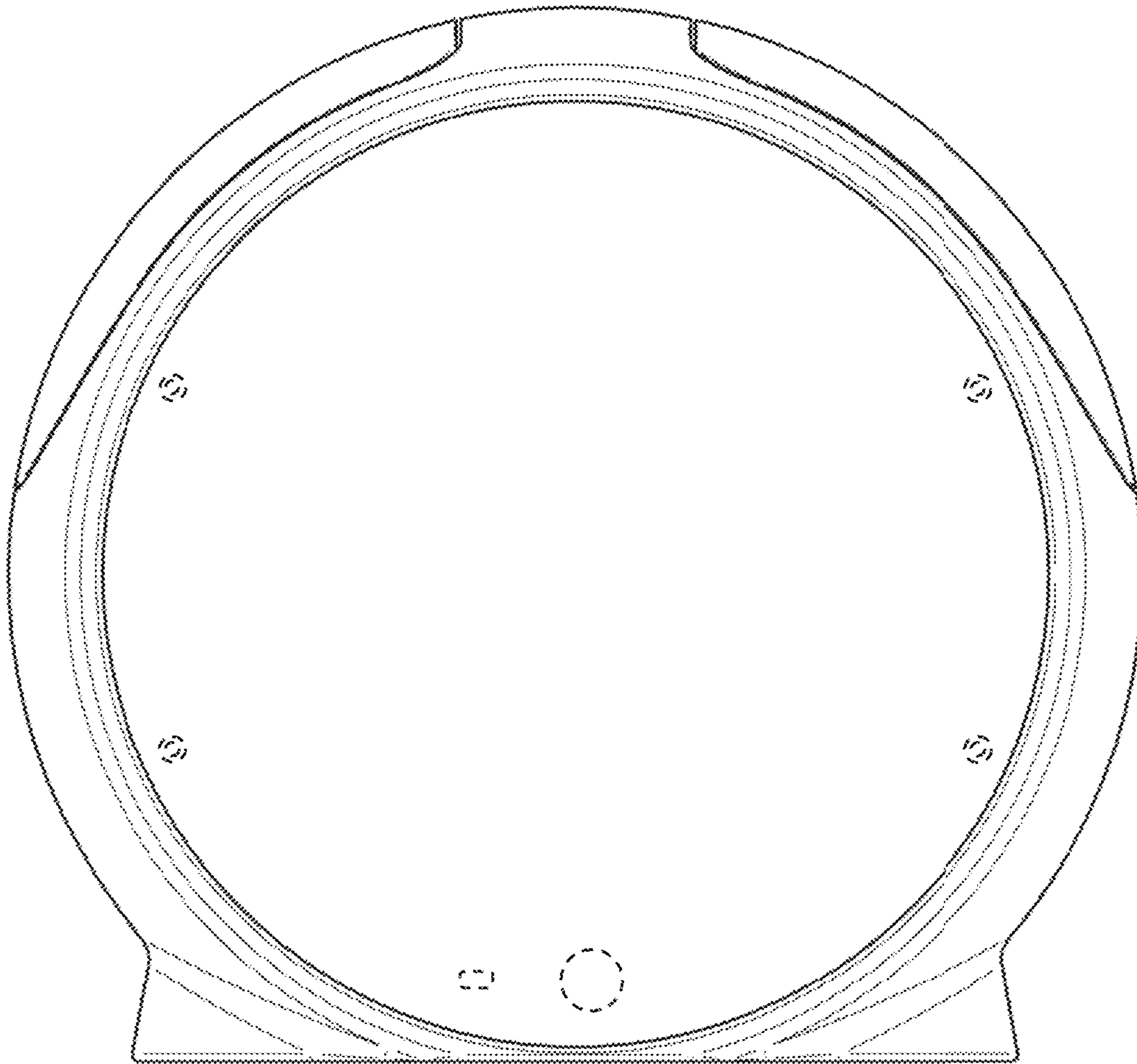


FIG. 4

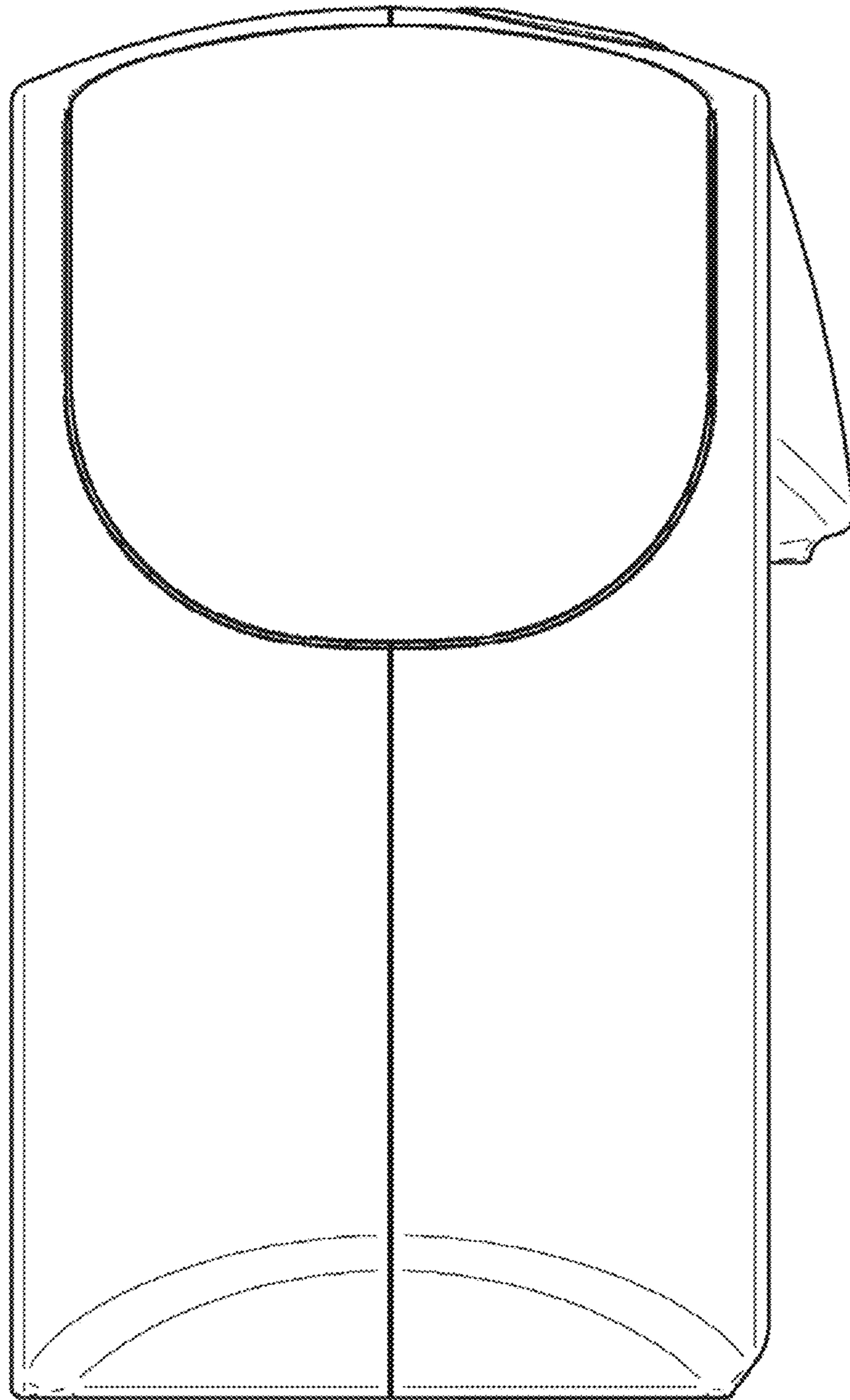


FIG. 5

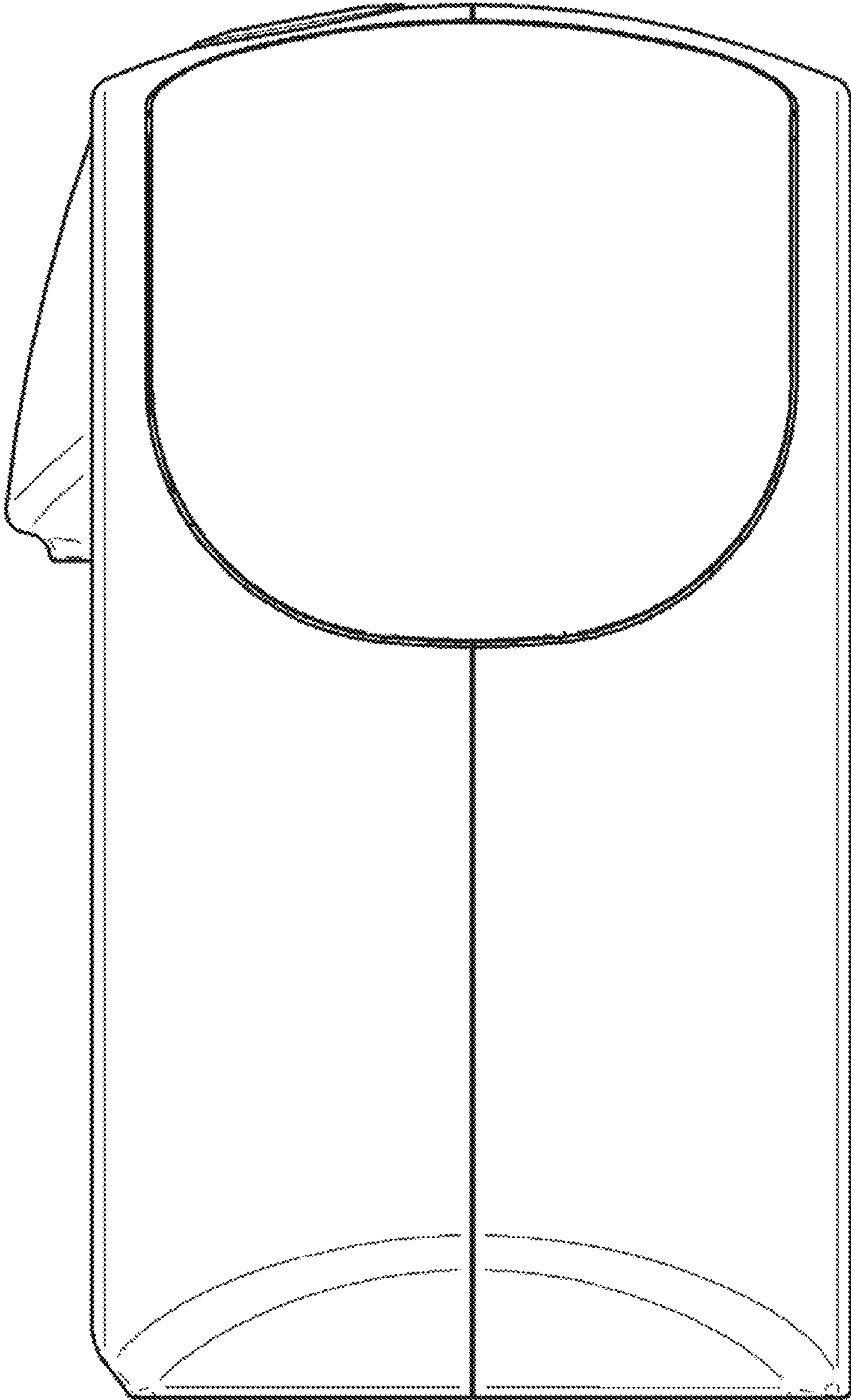


FIG. 6

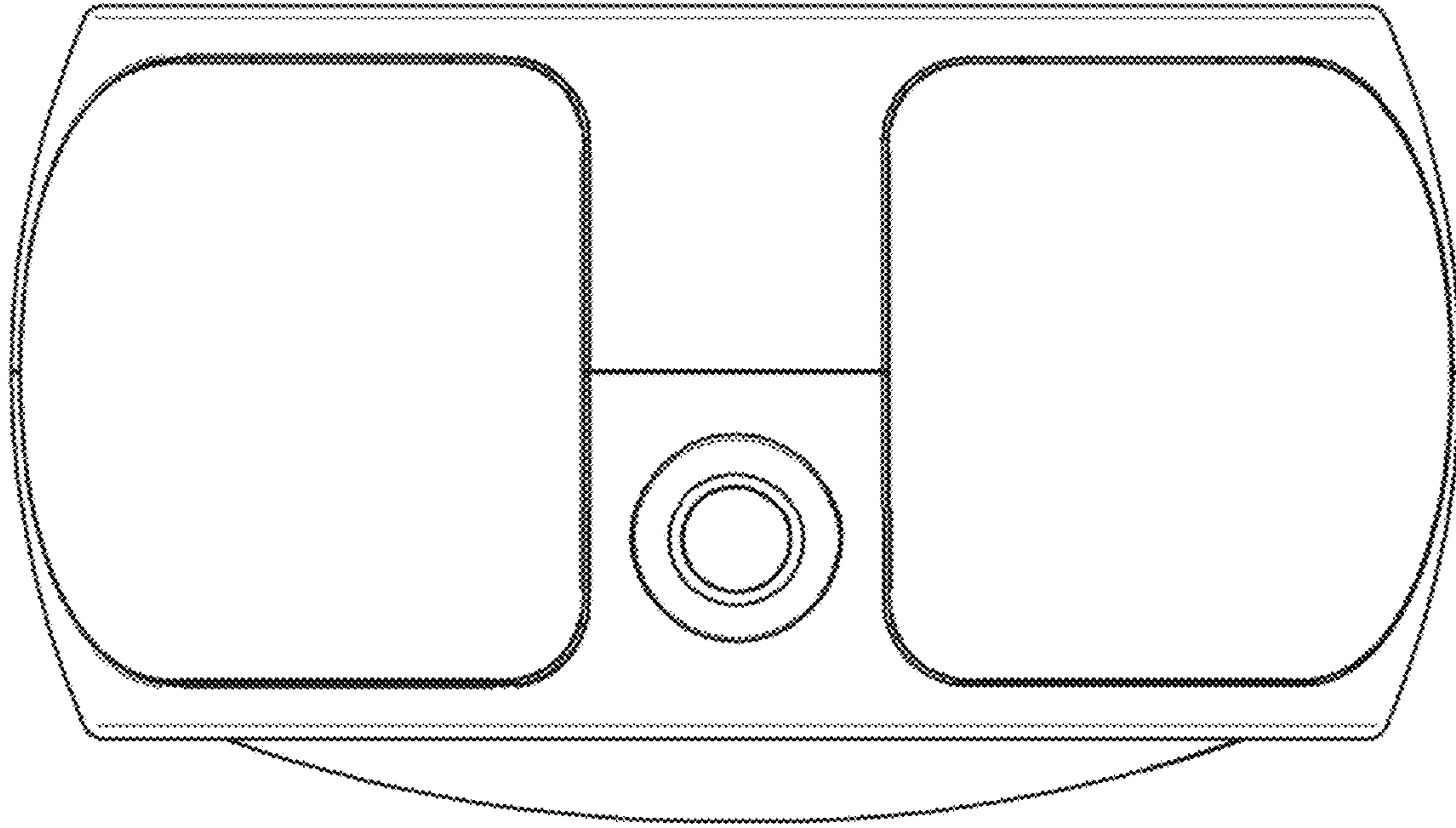


FIG. 7

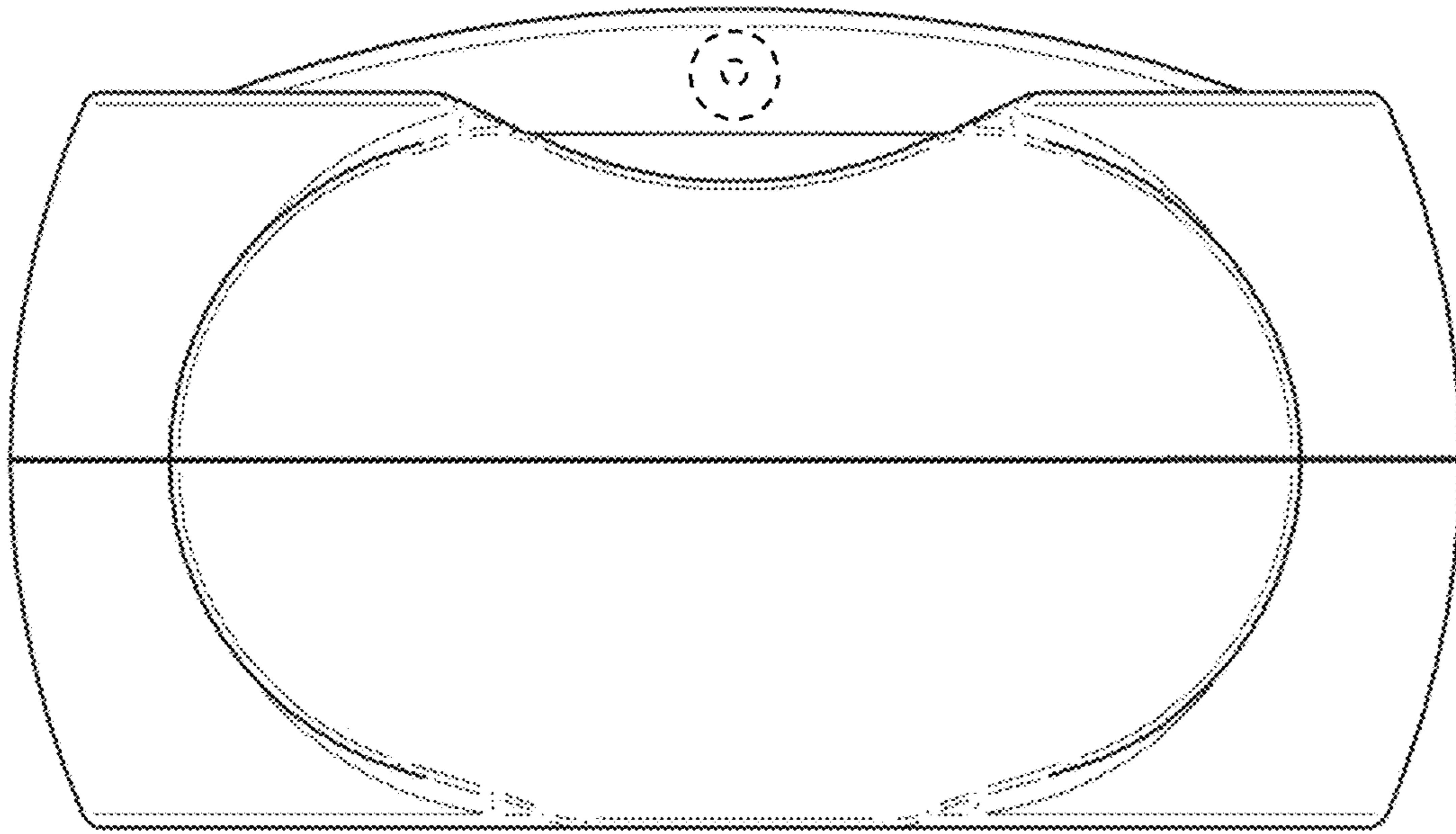


FIG. 8