



US00D836181S

(12) **United States Design Patent**
Marcaida

(10) **Patent No.:** **US D836,181 S**

(45) **Date of Patent:** **** Dec. 18, 2018**

(54) **DAGGER**

(71) Applicant: **Marcaida Inc.**, Rochester, NY (US)

(72) Inventor: **Doug Marcaida**, Rochester, NY (US)

(**) Term: **15 Years**

(21) Appl. No.: **29/627,173**

(22) Filed: **Nov. 22, 2017**

(51) **LOC (11) Cl.** **22-02**

(52) **U.S. Cl.**
USPC **D22/117**

(58) **Field of Classification Search**
USPC D22/117, 149, 199; 452/54; 119/713,
119/715, 756; 30/287, 295, 299; D8/14,
D8/98
CPC A22B 3/086; F41B 13/00
See application file for complete search history.

(56) **References Cited**

U.S. PATENT DOCUMENTS

D500,546 S * 1/2005 Anderson D22/117
D510,121 S * 9/2005 Blair D22/117

D555,752 S * 11/2007 Pambuan D22/117
D724,176 S * 3/2015 Maestas D22/149
D818,081 S * 5/2018 Maestas D22/199

* cited by examiner

Primary Examiner — Catherine R Oliver-Garcia
(74) *Attorney, Agent, or Firm* — Eric L. Lane; Green
Patent Law

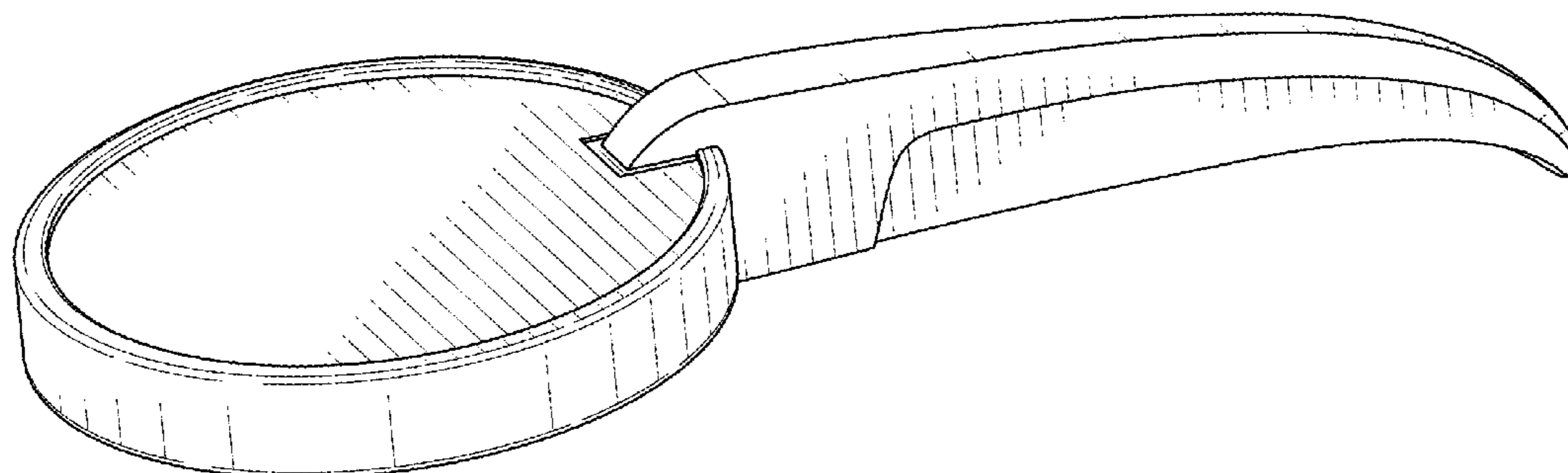
(57) **CLAIM**

The ornamental design for a dagger, as shown and described.

DESCRIPTION

FIG. 1 is a perspective view of the dagger showing my new design;
FIG. 2 is a side view thereof;
FIG. 3 is a rear view thereof;
FIG. 4 is a front view thereof;
FIG. 5 is a top view thereof; and,
FIG. 6 is a bottom view thereof.

1 Claim, 3 Drawing Sheets



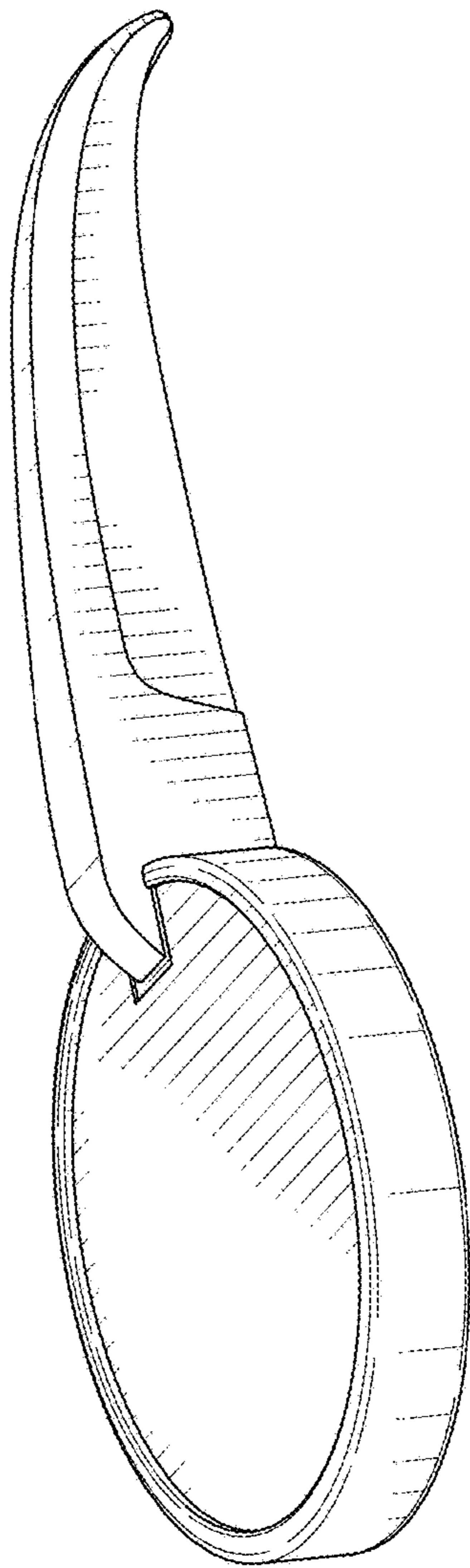


FIG. 1

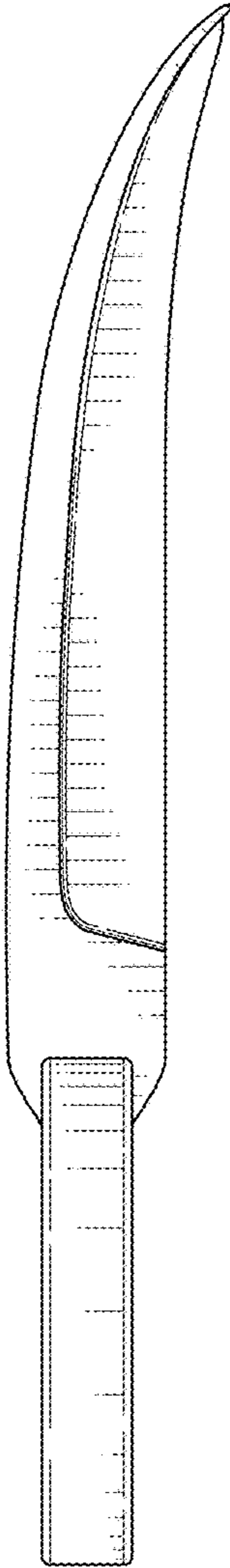


FIG. 2

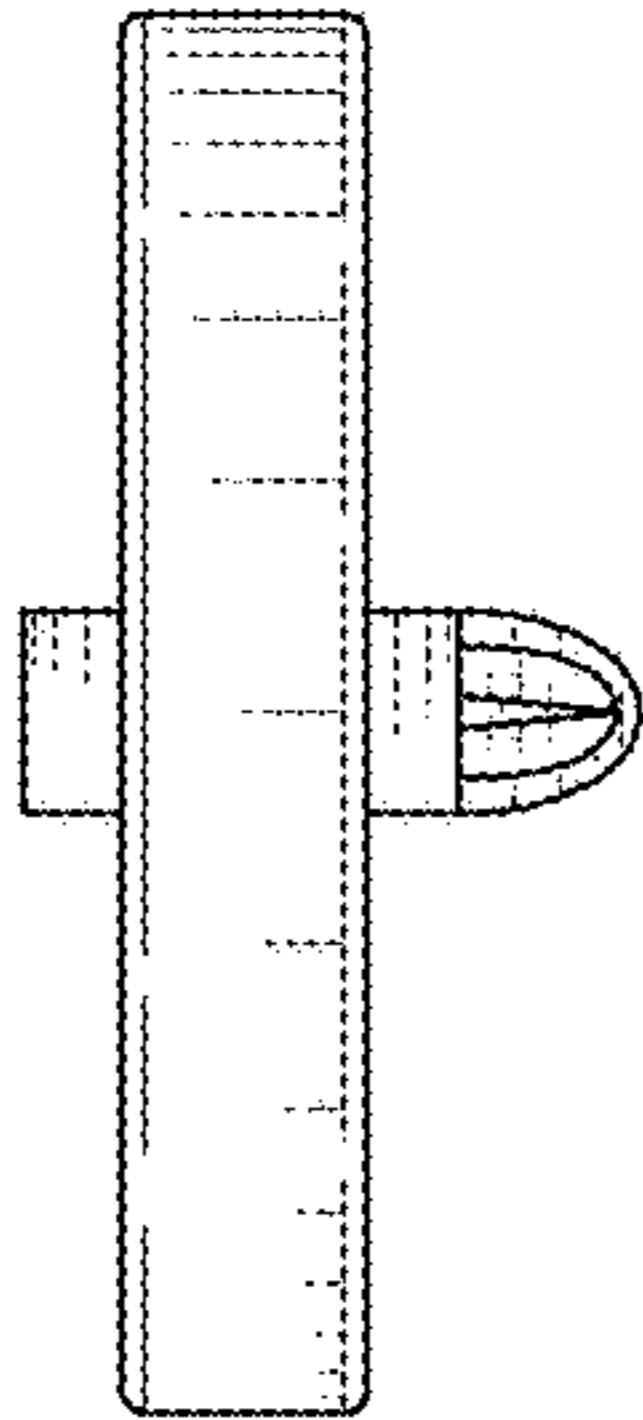


FIG. 3

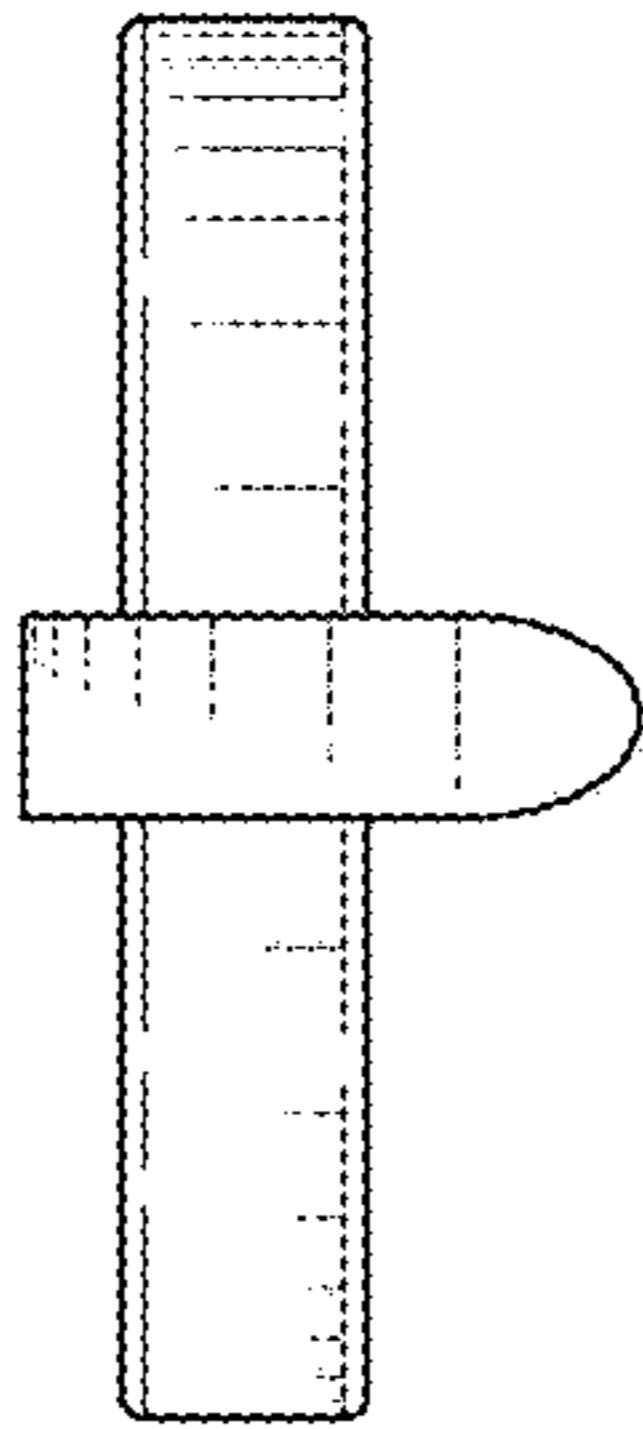


FIG. 4

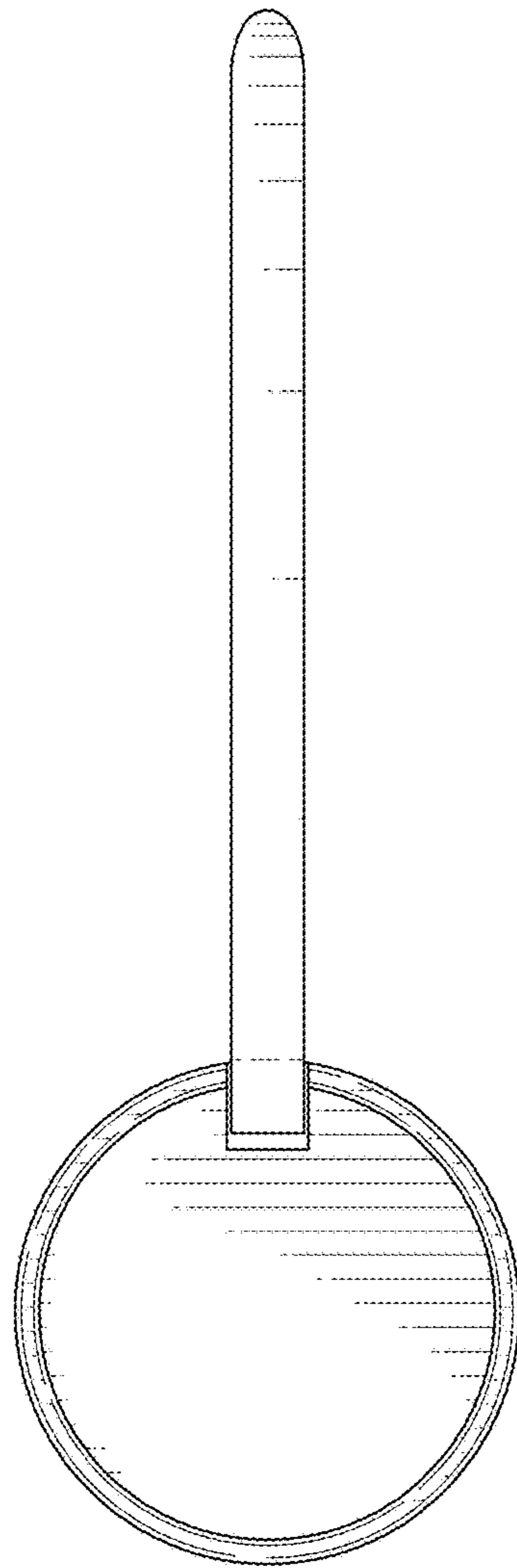


FIG. 5

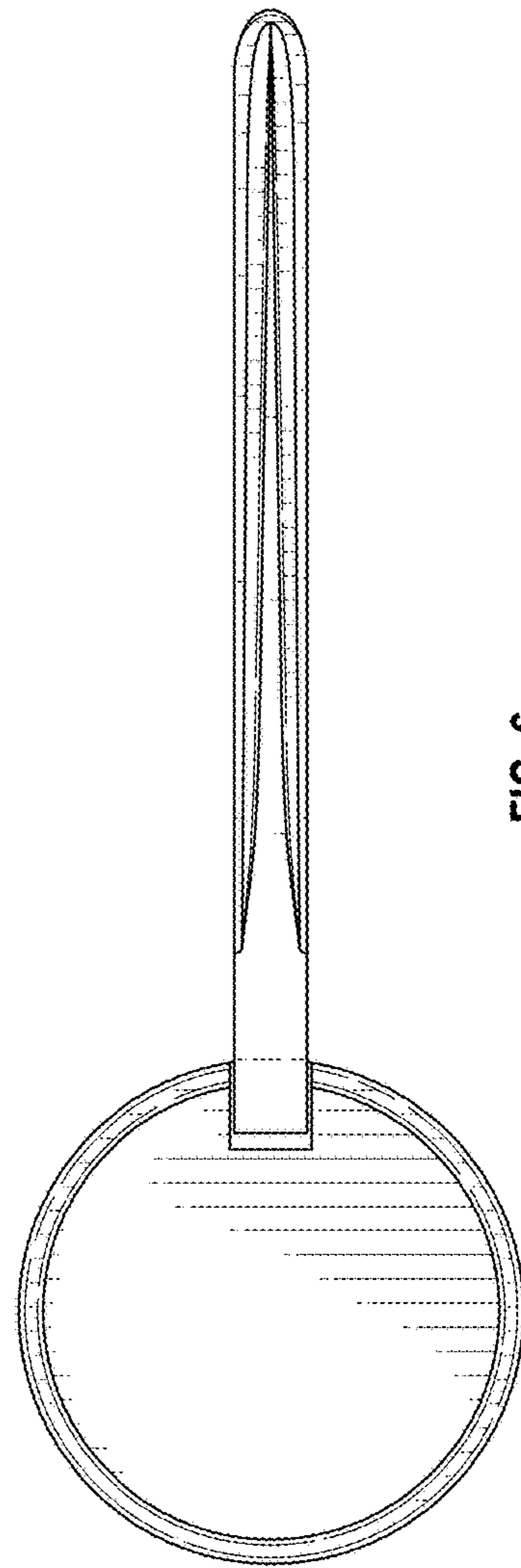


FIG. 6