



US00D836178S

(12) **United States Design Patent**  
**Hefer et al.**

(10) **Patent No.:** **US D836,178 S**

(45) **Date of Patent:** **\*\* Dec. 18, 2018**

- (54) **KINETIC MAGAZINE LOADER**
- (71) Applicant: **Vista Outdoor Operations LLC**,  
Farmington, UT (US)
- (72) Inventors: **Brandon T. Hefer**, St. Louis, MO  
(US); **Brandon K. Trostrud**, St. Louis,  
MO (US); **Sean Higgs**, St. Louis, MO  
(US)
- (73) Assignee: **Vista Outdoor Operations LLC**,  
Farmington, UT (US)
- (\*\*) Term: **15 Years**
- (21) Appl. No.: **29/576,915**
- (22) Filed: **Sep. 8, 2016**
- (51) **LOC (11) Cl.** ..... **22-01**
- (52) **U.S. Cl.**  
USPC ..... **D22/108**
- (58) **Field of Classification Search**  
USPC ..... D22/108  
CPC ..... F41A 9/83; F41A 9/82  
See application file for complete search history.

2,466,017 A	4/1949	Farber
2,493,048 A	1/1950	Wangrow
2,514,277 A	7/1950	Donallan
2,531,387 A	11/1950	Bilodeau
2,659,173 A	11/1953	Capito
2,783,570 A	3/1957	Kunz
2,803,985 A	8/1957	Hull
2,830,498 A	4/1958	Maillard
2,834,137 A	5/1958	Kunz
2,856,720 A	10/1958	Kunz
2,862,324 A	12/1958	Ball
2,885,811 A	5/1959	Womble, Jr.
2,887,811 A	5/1959	Johnson, Jr.
3,045,525 A	7/1962	Stadelmann
3,509,655 A	5/1970	Wilhelm
3,526,028 A	9/1970	Winch
3,710,497 A	1/1973	Musgrave
3,789,531 A	2/1974	Kersten
3,854,232 A	12/1974	Musgrave
3,939,590 A	2/1976	Musgrave

(Continued)

*Primary Examiner* — Michael A. Pratt

(74) *Attorney, Agent, or Firm* — Christensen, Fonder,  
Dardi & Herbert PLLC

(57) **CLAIM**

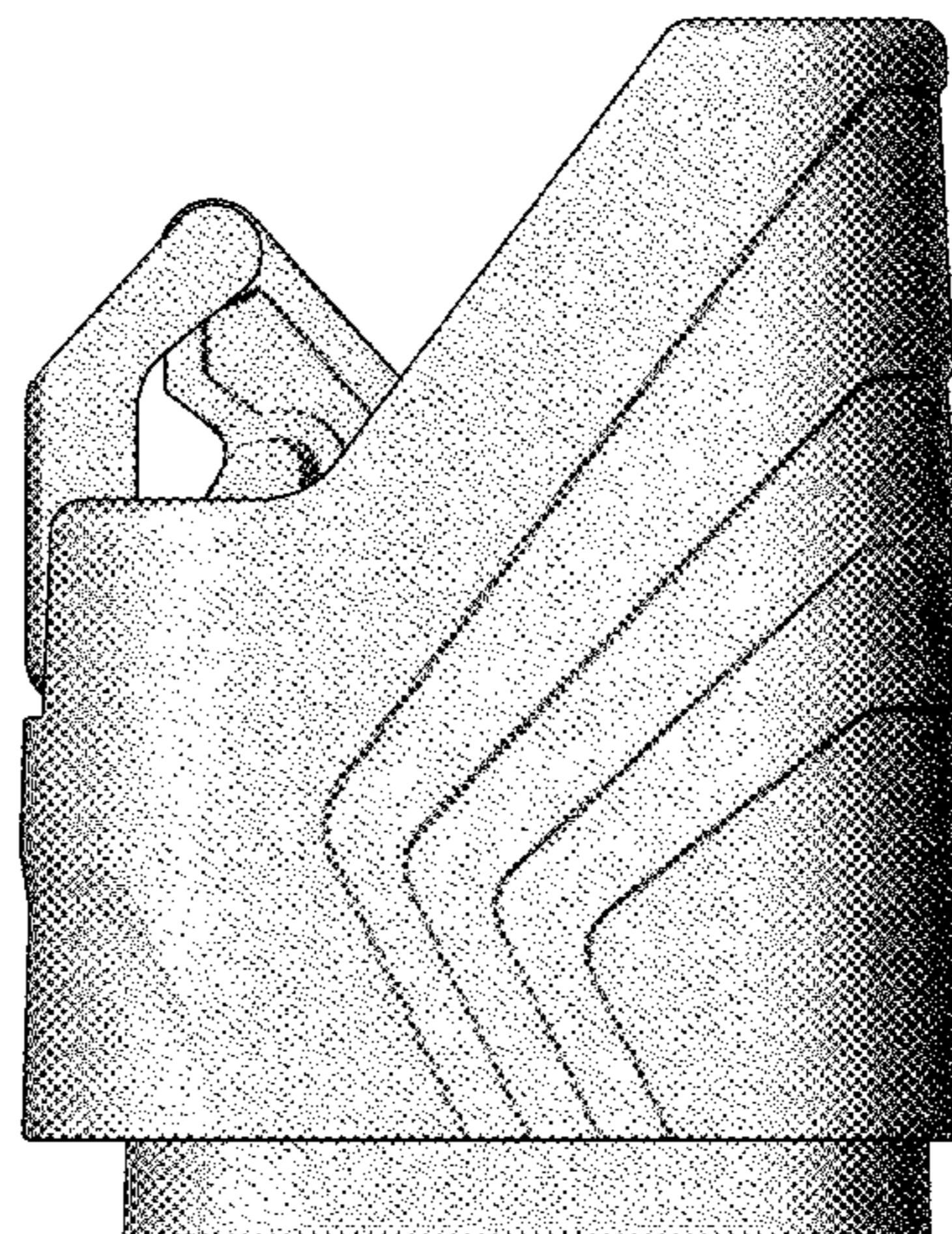
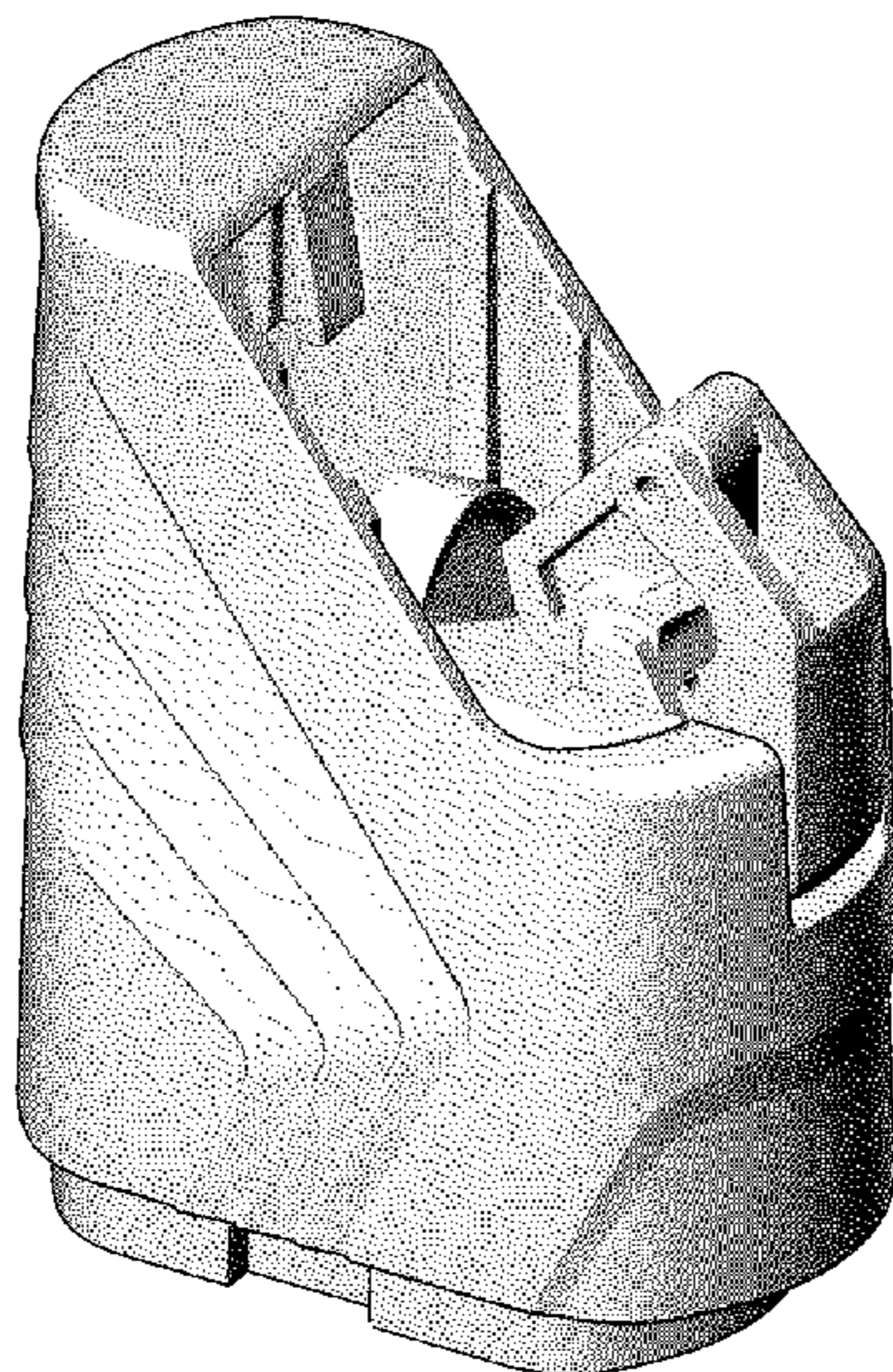
We claim the ornamental design for a kinetic magazine loader, as shown and described.

**DESCRIPTION**

FIG. 1 is a front, right, top perspective view of a kinetic magazine loader showing our new design;  
 FIG. 2 is a front view thereof;  
 FIG. 3 is a rear view thereof;  
 FIG. 4 is a left side view thereof;  
 FIG. 5 is a right side view thereof;  
 FIG. 6 is a top view thereof; and,  
 FIG. 7 is a bottom view thereof.  
 Broken lines shown in the drawings illustrate structure or features which form no part of the claimed design.

**1 Claim, 7 Drawing Sheets**

- (56) **References Cited**  
U.S. PATENT DOCUMENTS
- 1,786,537 A 12/1930 Holek
- 1,840,477 A 1/1932 Frommer
- 2,014,177 A 9/1935 Herlach et al.
- 2,137,491 A 11/1938 Huff
- 2,191,130 A 2/1940 Ludwig
- 2,210,931 A 8/1940 Harris
- 2,345,593 A 4/1944 Garand
- 2,362,109 A 11/1944 Whitmore
- 2,394,033 A 2/1946 Wossum
- 2,403,012 A 7/1946 McPheters
- 2,451,521 A 10/1948 Uglum
- 2,452,600 A 11/1948 Pool et al.
- 2,462,836 A 3/1949 Barker et al.



(56)

References Cited

U.S. PATENT DOCUMENTS

3,991,501 A	11/1976	Larsson	7,383,657 B2	6/2008	Pikielny
4,152,857 A	5/1979	Ketterer	7,487,613 B2	2/2009	Taylor
4,291,483 A	9/1981	Musgrave	7,503,138 B2	3/2009	Tal et al.
4,304,062 A	12/1981	Pepe et al.	D604,792 S	11/2009	Stanley
4,352,254 A	10/1982	Peter et al.	7,637,048 B2	12/2009	Tal et al.
4,392,321 A	7/1983	Bosworth	7,805,874 B2	10/2010	Tal et al.
4,425,834 A	1/1984	Lohmann	8,065,830 B2	11/2011	Twardy
4,452,002 A	6/1984	Musgrave	8,234,810 B2	8/2012	Lee, III
4,464,855 A	8/1984	Musgrave	8,356,441 B2	1/2013	Meinel
4,488,371 A	12/1984	Boyles	8,453,366 B2	6/2013	Gray
4,538,371 A	9/1985	Howard	8,484,874 B2	7/2013	Kim
D282,680 S	2/1986	Boyles	D700,266 S	2/2014	Tal et al.
4,570,371 A	2/1986	Mears	8,650,792 B1	2/2014	Overmars
4,574,511 A	3/1986	Csongor	8,726,561 B1	5/2014	Hampton
4,614,052 A	9/1986	Brown et al.	8,915,007 B1	12/2014	Williams
4,688,344 A	8/1987	Kim	8,931,199 B1	1/2015	Cauley, Jr. et al.
4,689,909 A	9/1987	Howard	D728,065 S	4/2015	Tal et al.
4,706,402 A	11/1987	Csongor	9,003,687 B2	4/2015	Cauley, Jr. et al.
4,707,941 A	11/1987	Eastman	9,057,570 B1	6/2015	Tal et al.
4,719,715 A	1/1988	Howard	9,091,500 B1	7/2015	Kim
4,736,667 A	4/1988	Kochevar et al.	9,115,943 B1	8/2015	Jordan
4,739,572 A	4/1988	Brandenburg	9,182,185 B2	11/2015	Hatch
D300,549 S	4/1989	Crow	9,212,859 B1	12/2015	Tal et al.
4,827,651 A	5/1989	Conkey	9,239,198 B2	1/2016	McPhee
4,829,693 A	5/1989	Holmes	9,273,917 B1	3/2016	Buckner
4,872,279 A	10/1989	Boat	D753,781 S	4/2016	Cauley, Jr. et al.
4,879,829 A	11/1989	Miller et al.	9,303,934 B1	4/2016	Kazsuk
4,888,902 A	12/1989	Knowles	D755,325 S	5/2016	Cauley, Jr. et al.
4,939,862 A	7/1990	Brandenburg et al.	9,347,722 B1	5/2016	Morris
4,949,495 A	8/1990	Mari	D770,588 S	11/2016	Cauley, Jr. et al.
4,970,820 A	11/1990	Miller et al.	D818,554 S	5/2018	Hefer et al.
4,993,180 A	2/1991	Upchurch	D821,534 S	6/2018	Couie
5,074,070 A	12/1991	Kuykendall	2003/0046854 A1	3/2003	Urchek
5,129,173 A	7/1992	Kuykendall	2003/0226306 A1	12/2003	Hines
5,249,386 A	10/1993	Switzer	2004/0159035 A1	8/2004	Newman
5,301,449 A	4/1994	Jackson	2007/0017140 A1	1/2007	Pikielny
5,355,606 A	10/1994	Origoni	2007/0107291 A1	5/2007	Tal et al.
5,377,436 A	1/1995	Switzer	2007/0137086 A1	6/2007	Price
5,402,594 A	4/1995	Switzer	2008/0184608 A1	8/2008	Tal et al.
5,417,003 A	5/1995	Claveau	2012/0192477 A1	8/2012	Kim
5,669,171 A	9/1997	Sally	2012/0222343 A1	9/2012	Kim
D423,628 S	4/2000	Smart et al.	2013/0061505 A1	3/2013	Faifer
6,178,683 B1	1/2001	Williams	2013/0232843 A1	9/2013	Bajuelo
6,189,254 B1	2/2001	Steitz	2014/0033592 A1	2/2014	Fiorucci
6,219,953 B1	4/2001	Bentley	2014/0223792 A1	8/2014	Socivoi
6,286,243 B1	9/2001	Hinton	2014/0298704 A1	10/2014	Niccum
D477,047 S	7/2003	Springer	2014/0311008 A1	10/2014	McPhee
6,678,985 B2	1/2004	Pikula	2015/0316341 A1	11/2015	Aguilar
6,807,764 B1	10/2004	Phillips	2015/0377573 A1	12/2015	Niccum
6,810,616 B2	11/2004	Tal et al.	2016/0025437 A1	1/2016	Slocum
6,817,134 B2	11/2004	Newman	2016/0102932 A1	4/2016	Cobb
7,059,077 B2	6/2006	Tal et al.	2017/0051992 A1	2/2017	Cottrell et al.
7,257,919 B1	8/2007	Farley	2017/0211902 A1	7/2017	Mills
			2018/0058785 A1*	3/2018	Hefer ..... F41A 9/83

\* cited by examiner

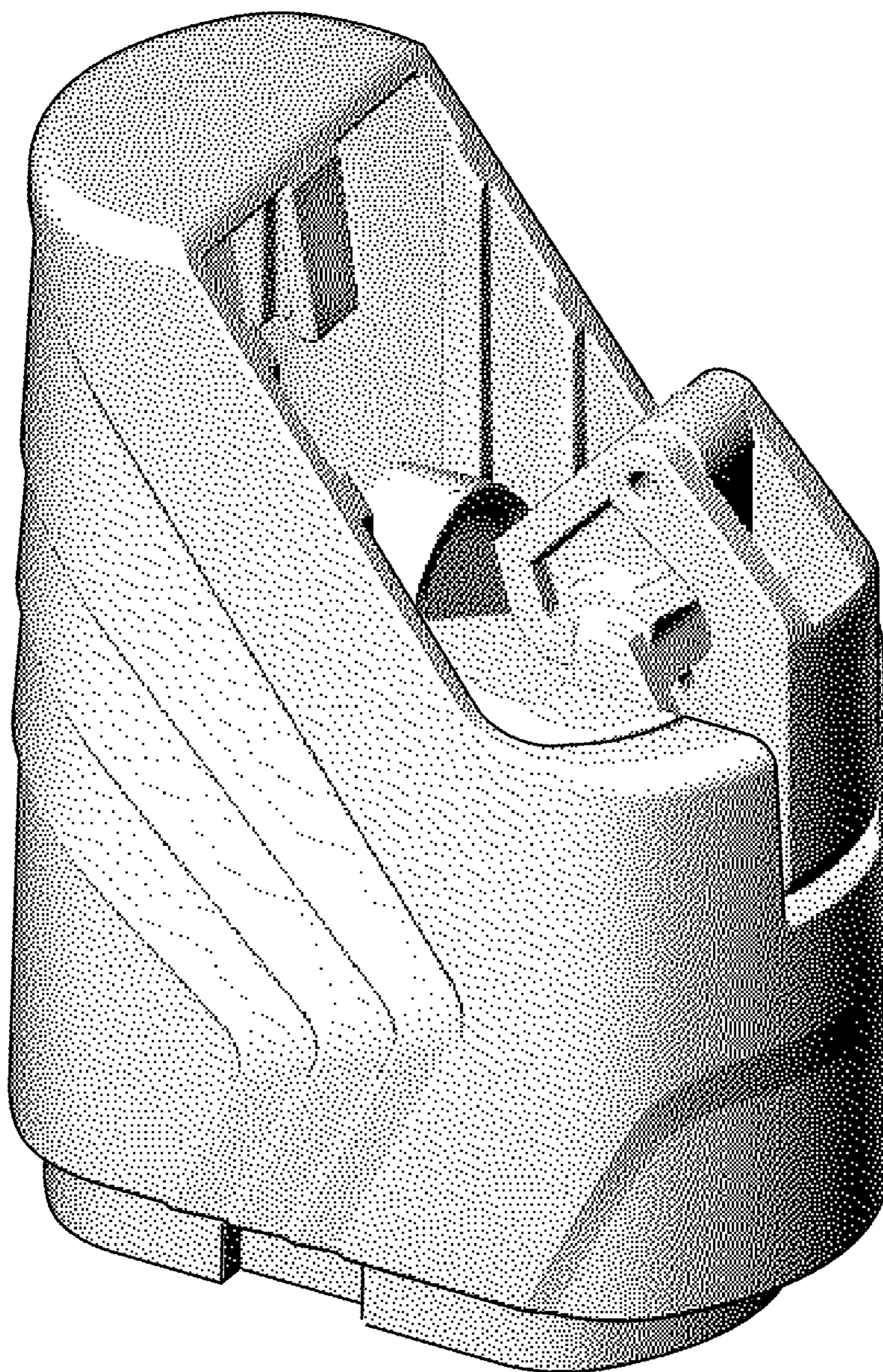


FIG. 1

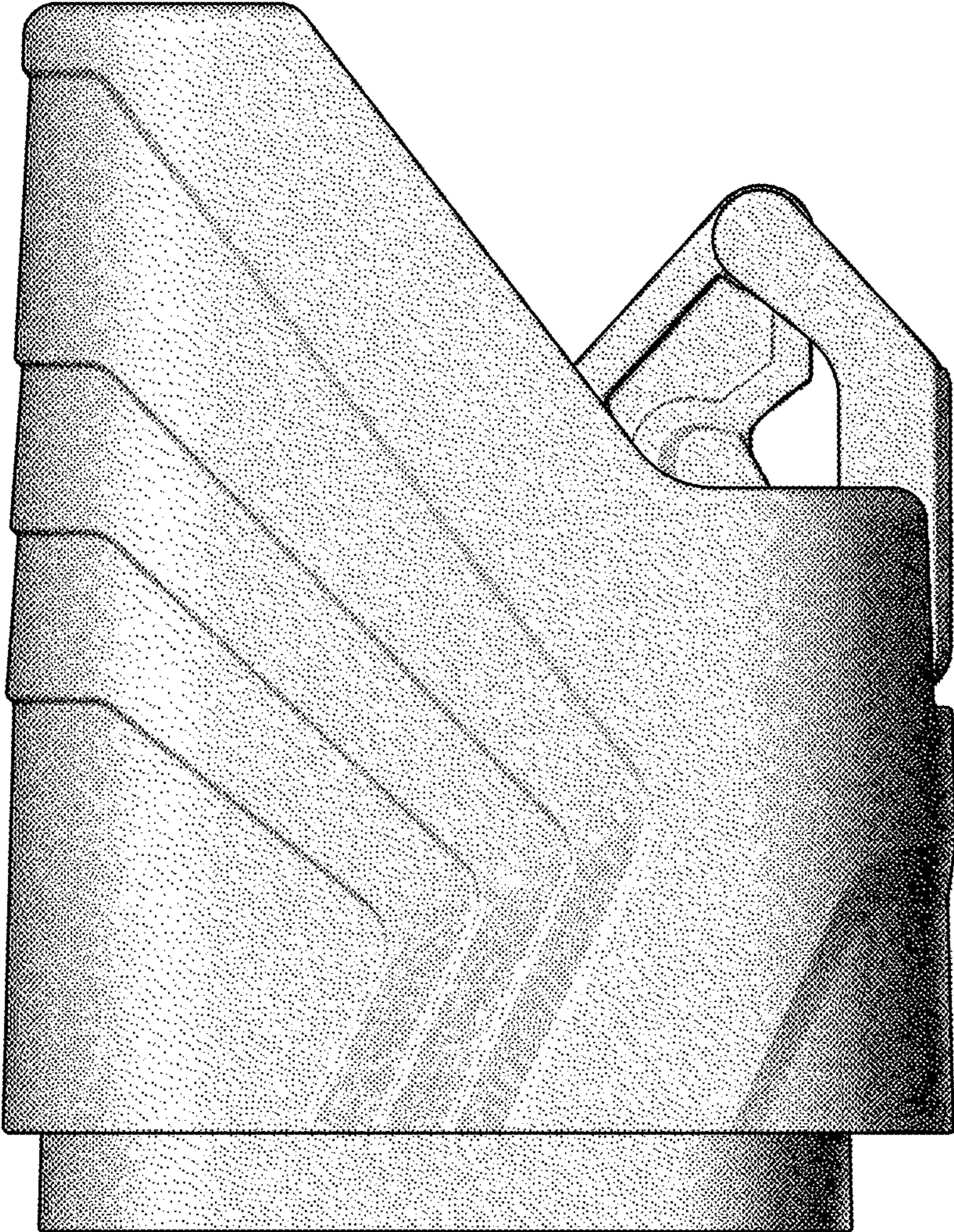


FIG. 2

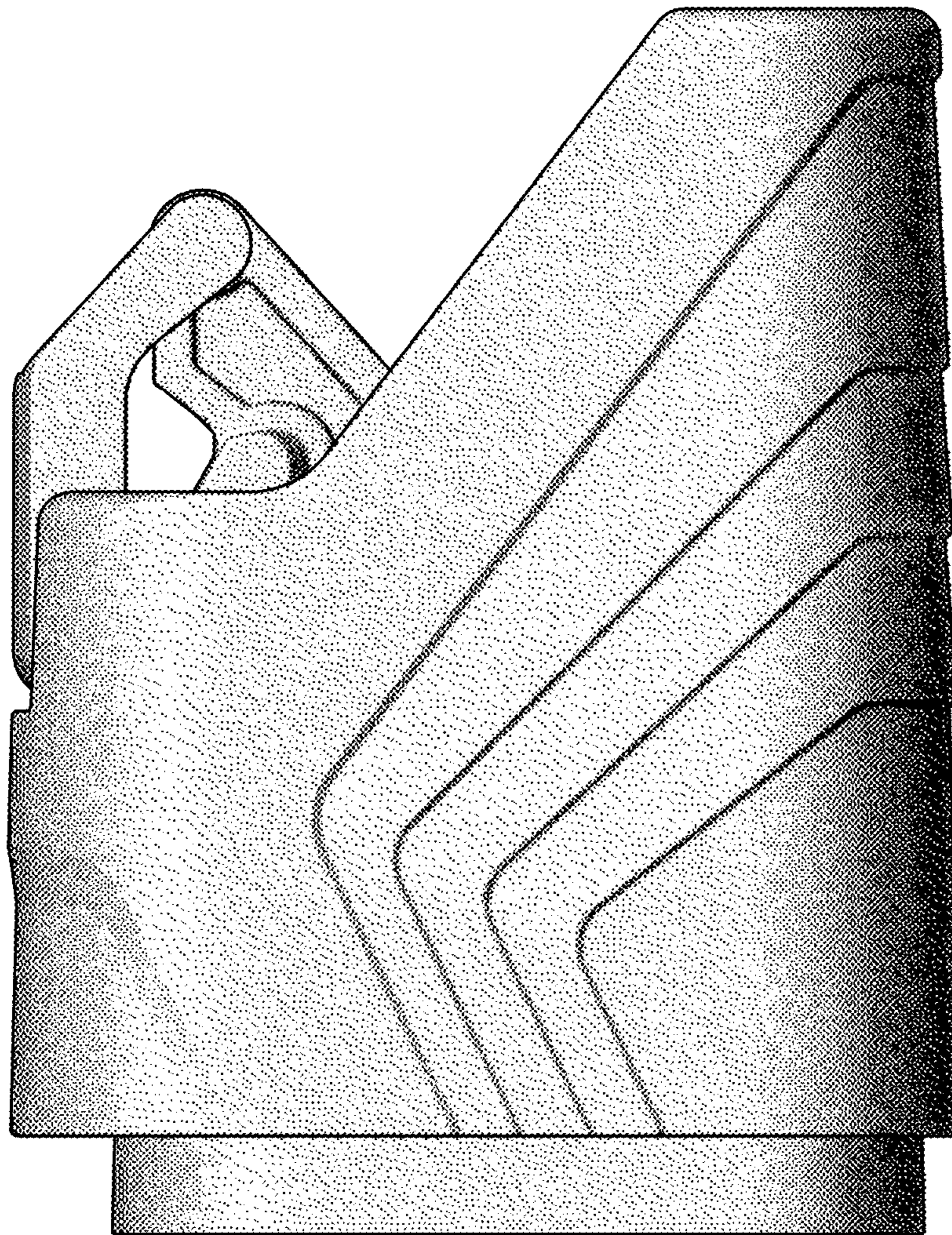


FIG. 3

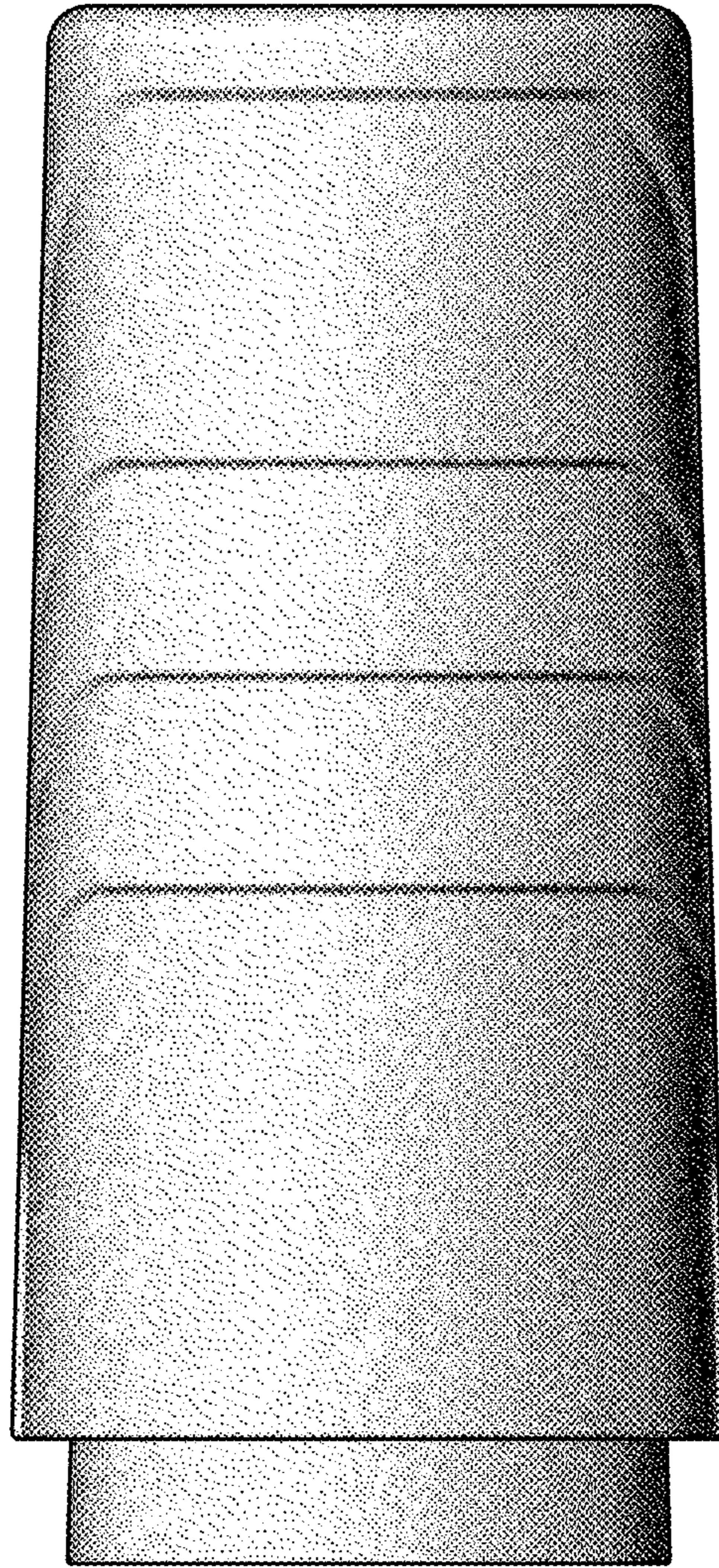


FIG. 4

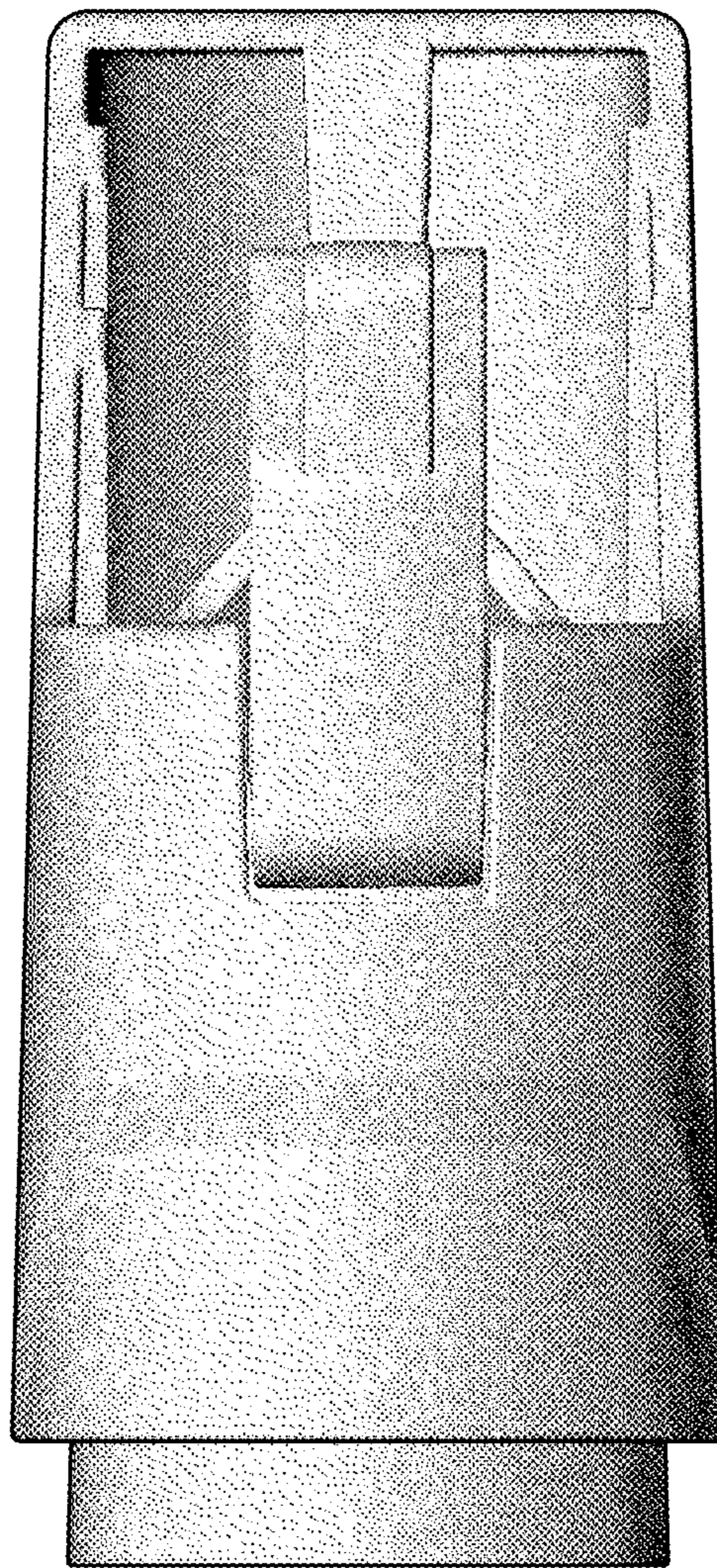


FIG. 5

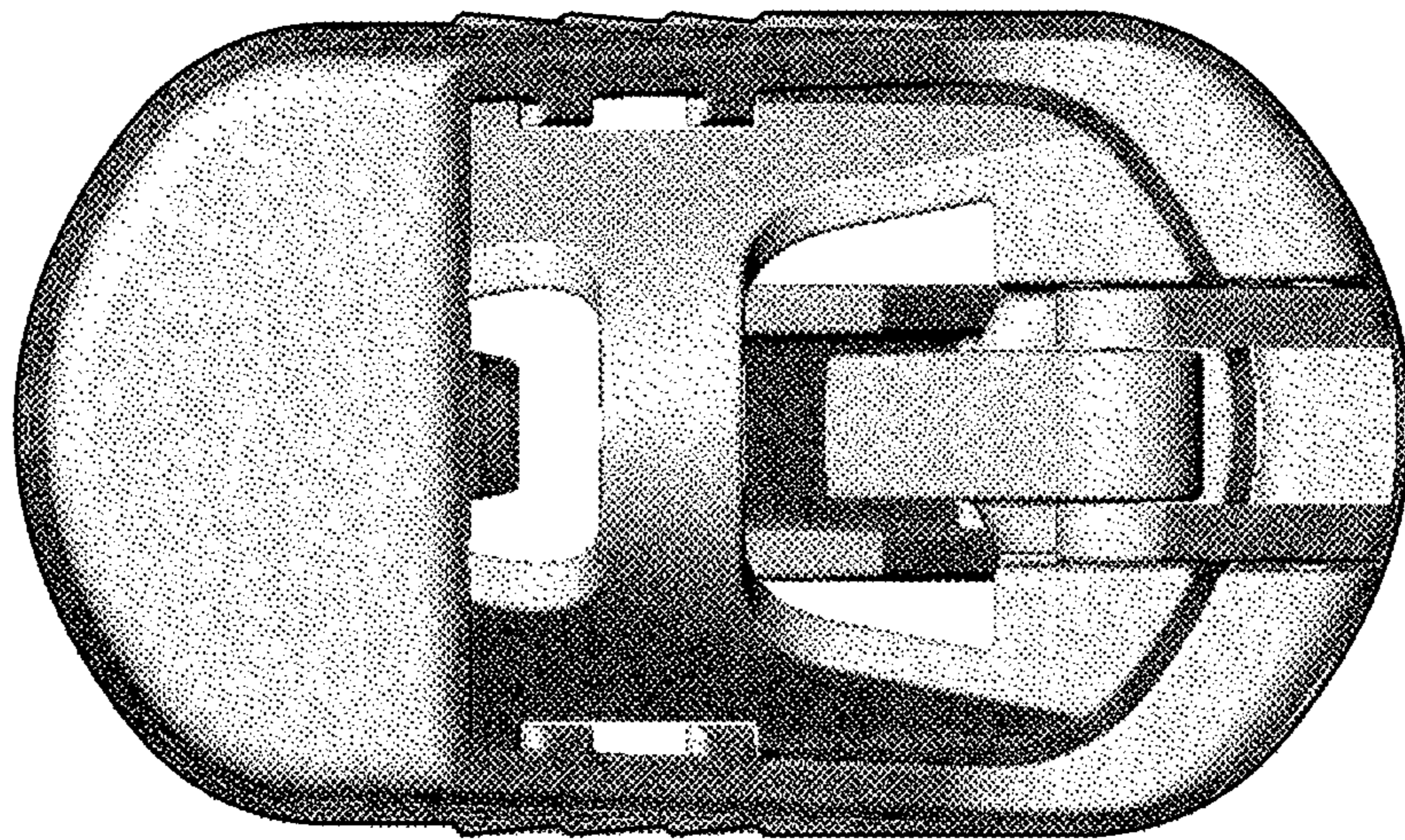


FIG. 6



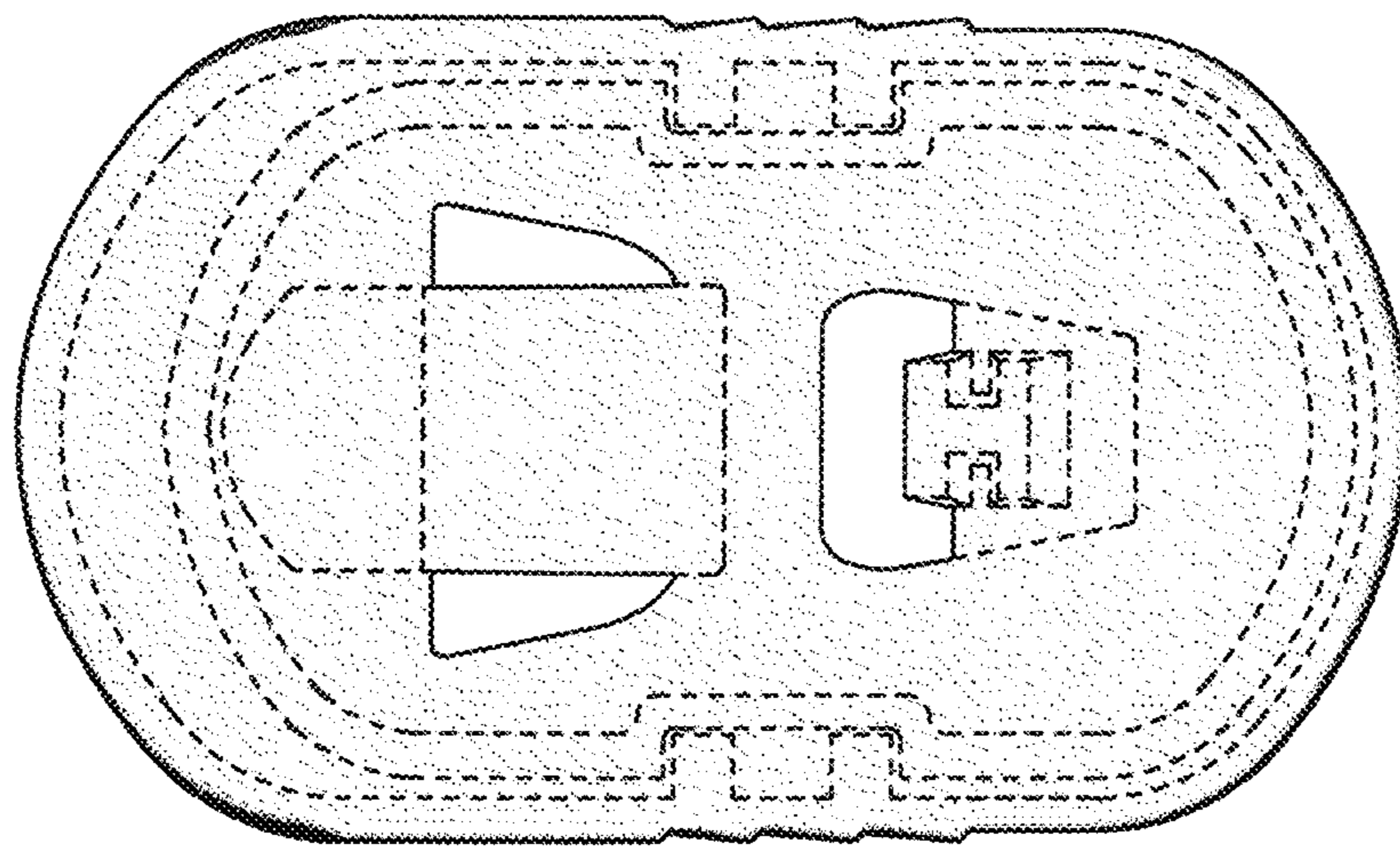


FIG. 7