



US00D836177S

(12) **United States Design Patent**
Gao

(10) **Patent No.:** **US D836,177 S**

(45) **Date of Patent:** **** Dec. 18, 2018**

(54) **GOLF PRACTICE TENT**

(71) Applicant: **Xinwei Gao**, Toronto (CA)

(72) Inventor: **Xinwei Gao**, Toronto (CA)

(**) Term: **15 Years**

(21) Appl. No.: **29/591,662**

(22) Filed: **Jan. 23, 2017**

(51) **LOC (11) Cl.** **21-04**

(52) **U.S. Cl.**
USPC **D21/834**

(58) **Field of Classification Search**
USPC D21/834, 835, 836, 837, 838, 839, 840
CPC E04H 15/00; E04H 15/02; E04H 15/18;
E04H 15/28; E04H 15/32; E04H 15/34;
E04H 15/40; E04H 15/42; E04H 15/425;
E04H 15/50

See application file for complete search history.

(56) **References Cited**

U.S. PATENT DOCUMENTS

- 3,217,722 A * 11/1965 Heise E04B 1/34326
135/139
- 4,641,676 A * 2/1987 Lynch E04H 15/50
135/115
- 5,088,740 A * 2/1992 Peterson A63B 63/00
135/127

- 5,569,094 A * 10/1996 Macaluso A63B 63/00
273/400
- D418,573 S * 1/2000 Ju D21/834
- D420,414 S * 2/2000 Lah D21/834
- D427,266 S * 6/2000 Wong D21/705
- D438,929 S * 3/2001 Middleton D21/834
- D477,649 S * 7/2003 Tseng D21/834
- D608,849 S * 1/2010 Chang D21/705
- D775,702 S * 1/2017 Barker D21/834

* cited by examiner

Primary Examiner — Holly H Baynham

Assistant Examiner — Keith J Wilson

(74) *Attorney, Agent, or Firm* — Mark Terry

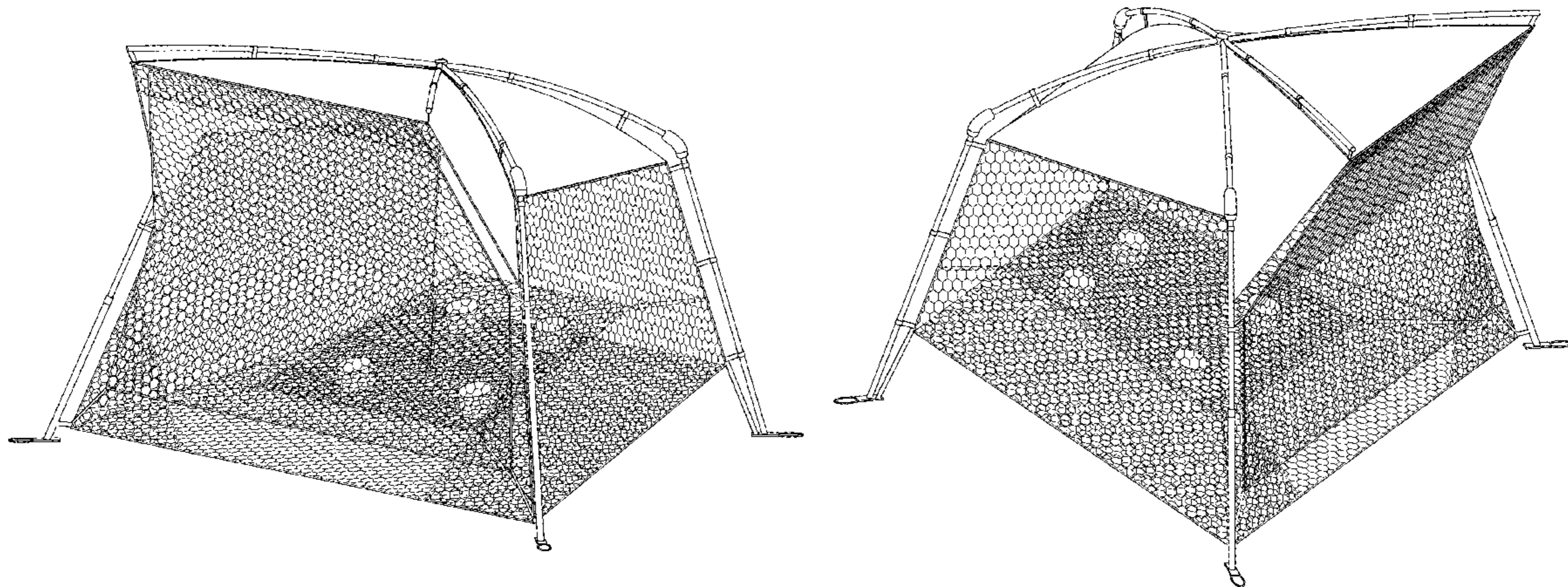
(57) **CLAIM**

The ornamental design for a golf practice tent, as shown and described.

DESCRIPTION

FIG. 1 is a front perspective view of a golf practice tent, showing the new design;
 FIG. 2 is a left side perspective view thereof;
 FIG. 3 is a front view thereof;
 FIG. 4 is a bottom view thereof;
 FIG. 5 is top view thereof;
 FIG. 6 is a rear view thereof;
 FIG. 7 is a right side view thereof; and,
 FIG. 8 is a left side view thereof.

1 Claim, 4 Drawing Sheets



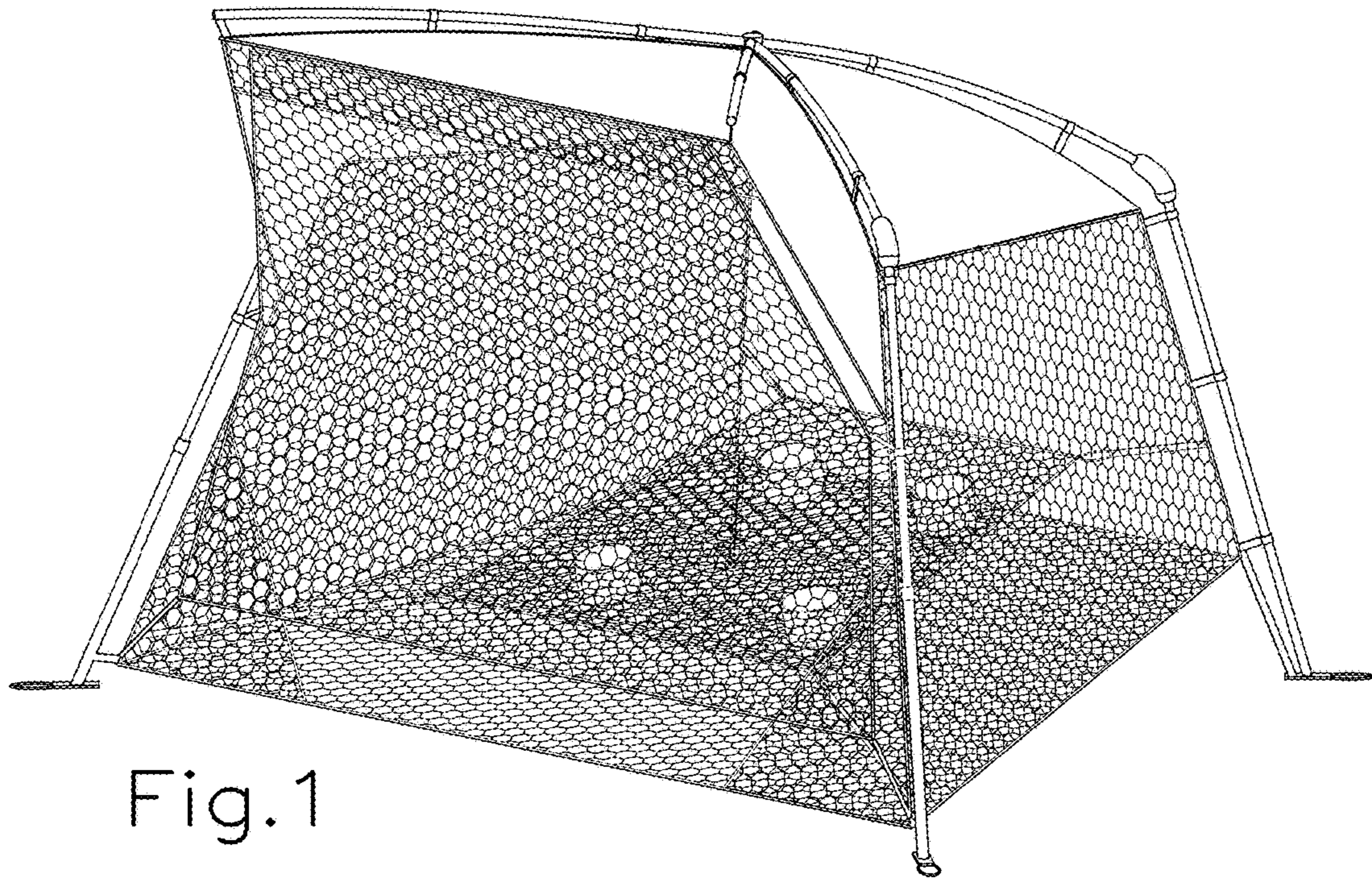


Fig. 1

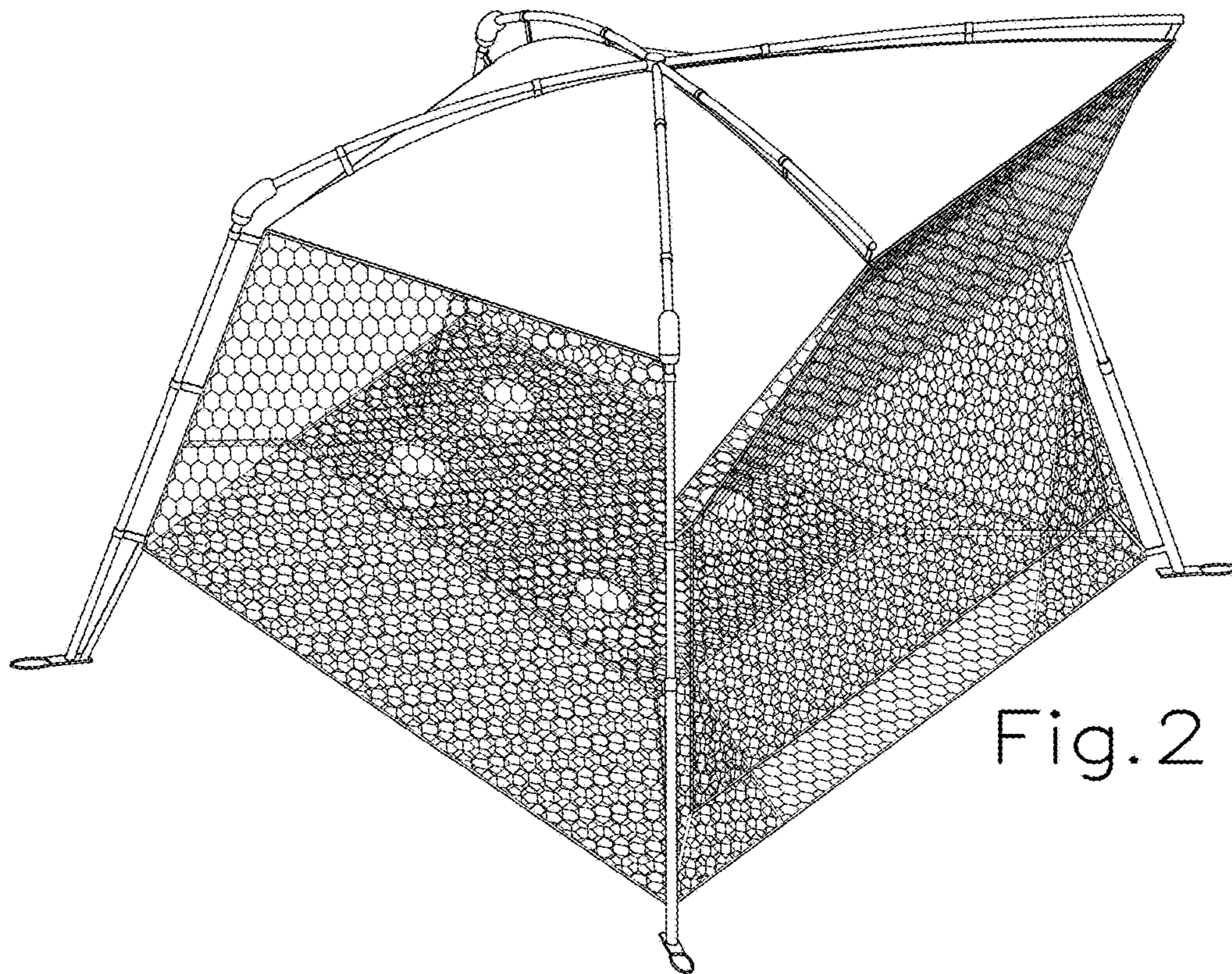


Fig. 2

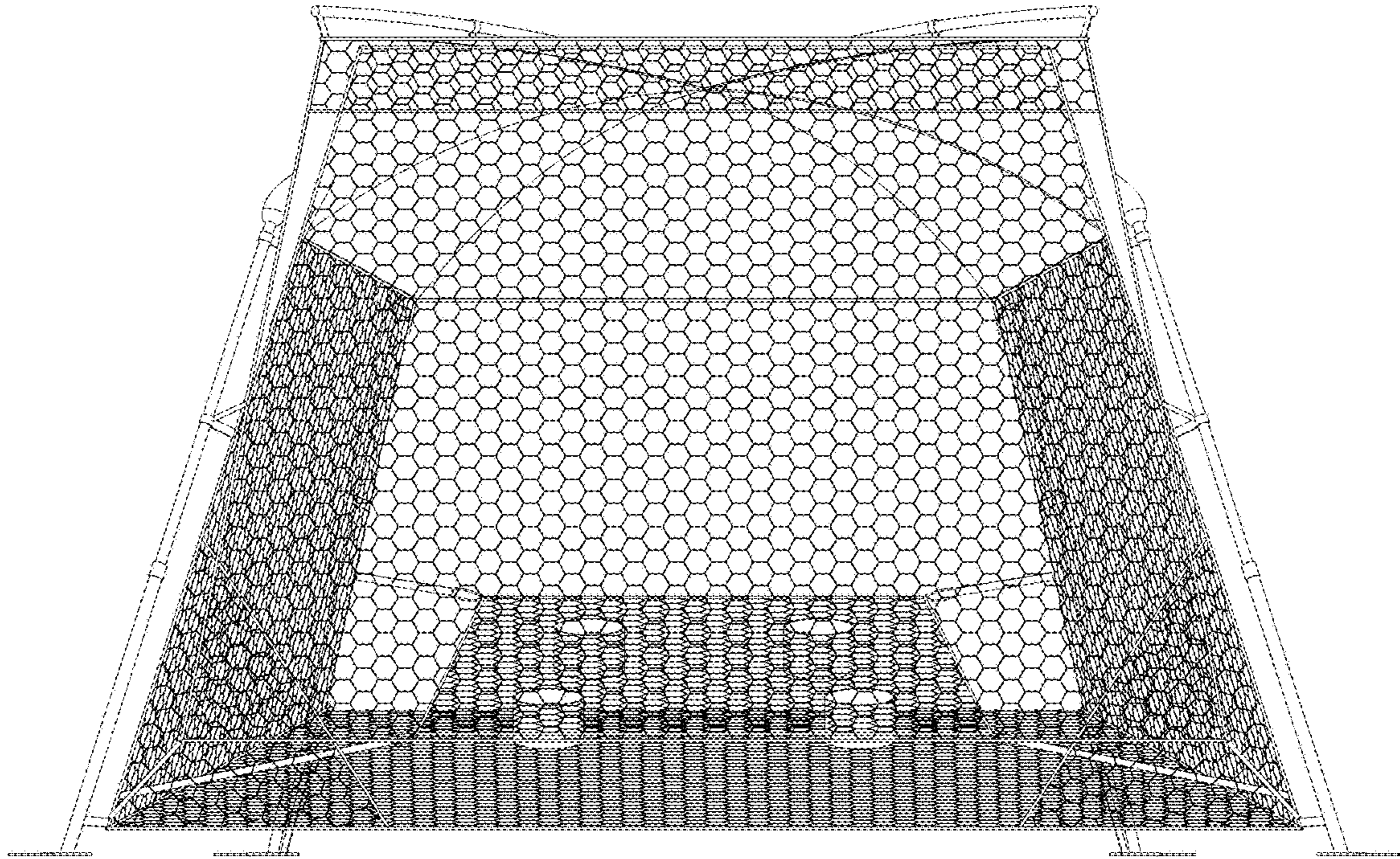


Fig. 3

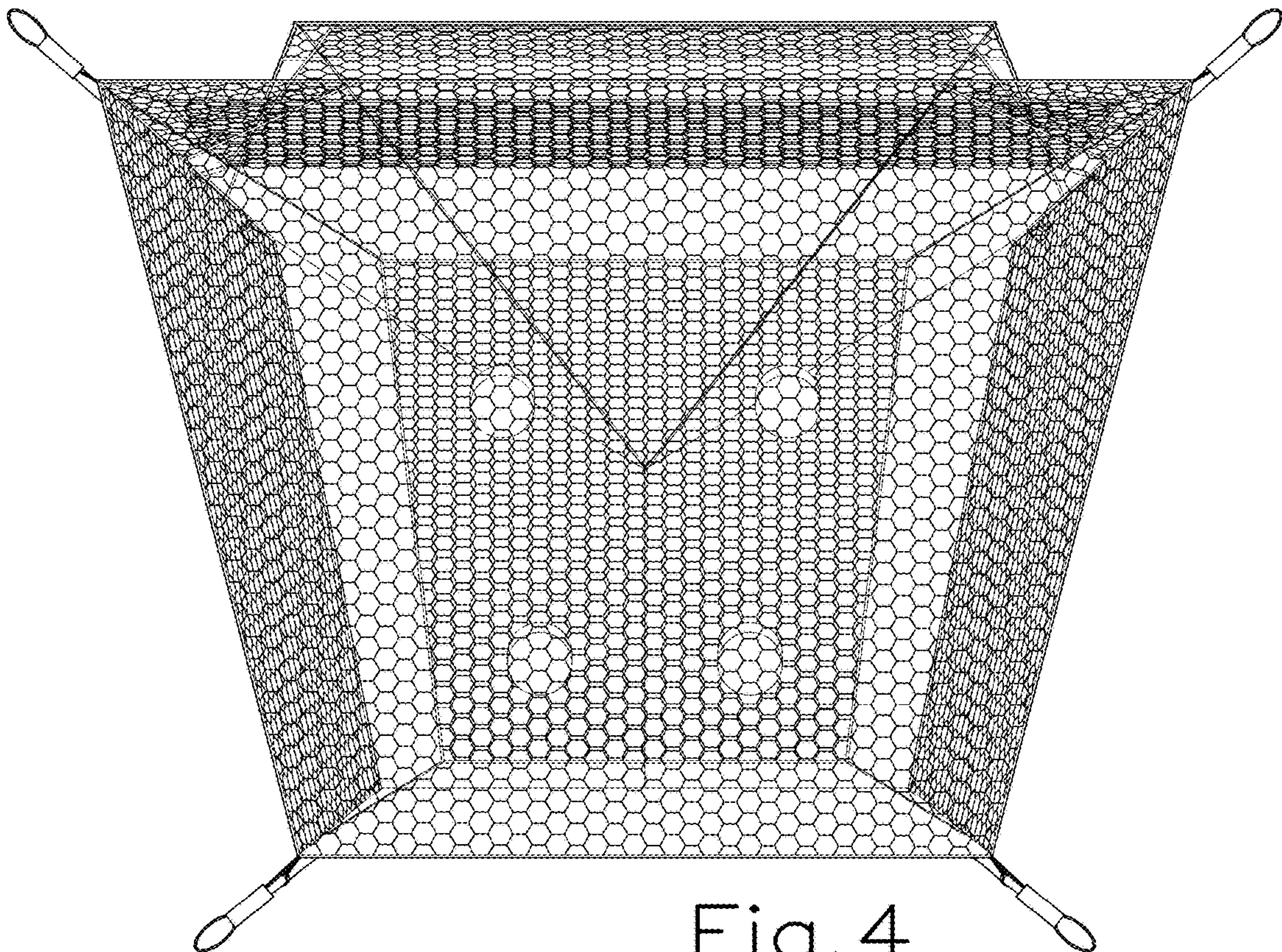


Fig. 4

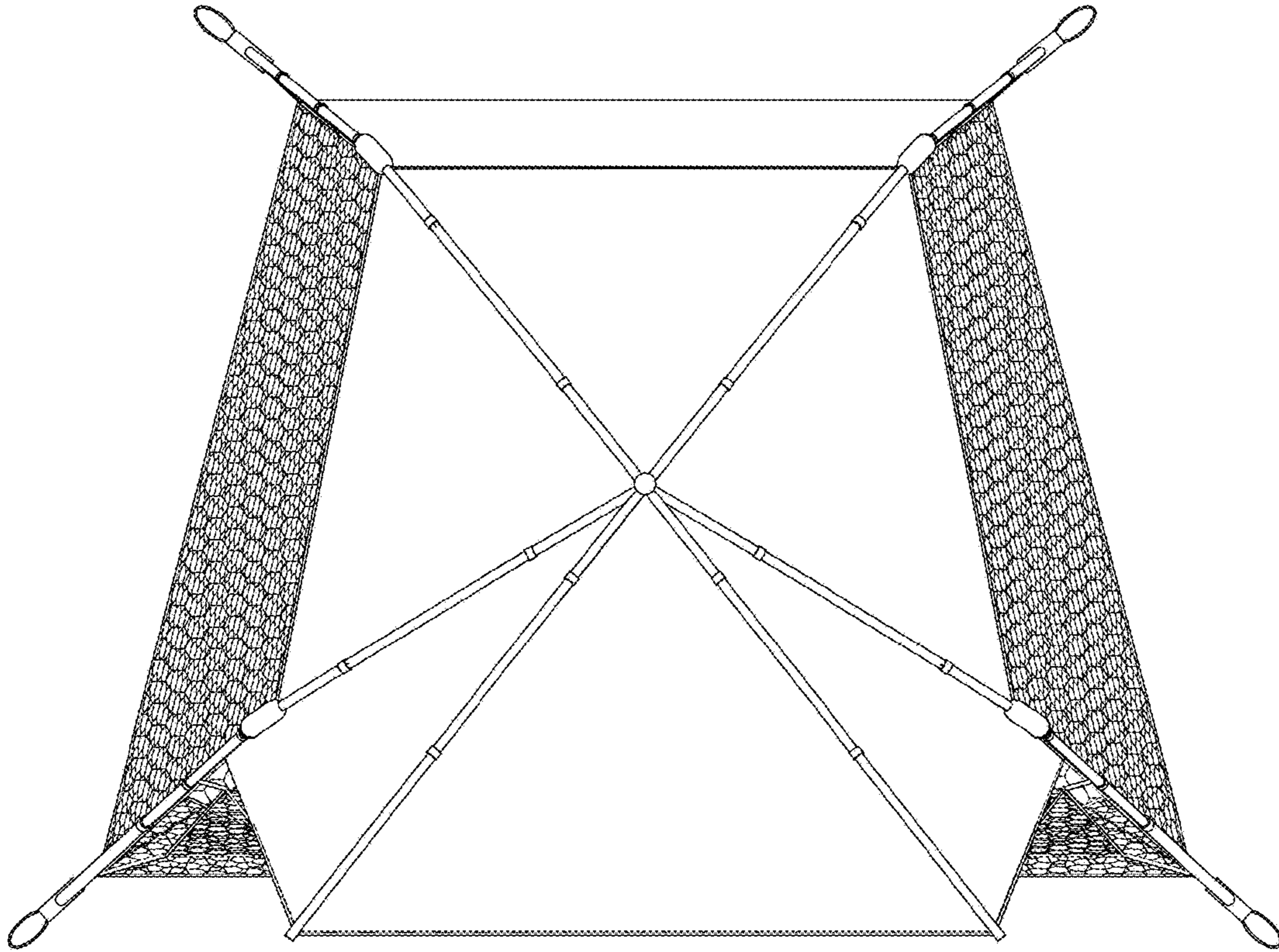


Fig. 5

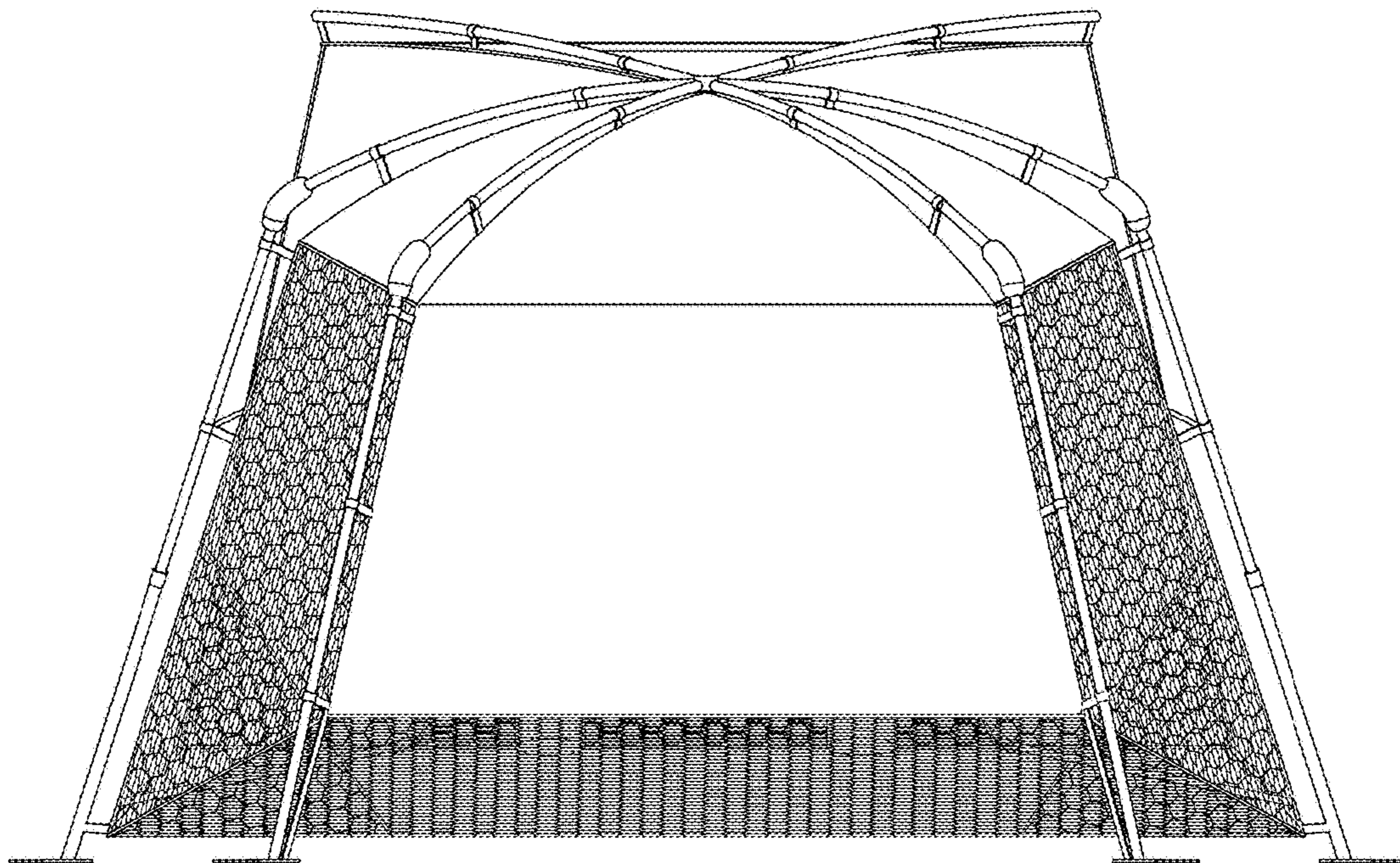


Fig. 6

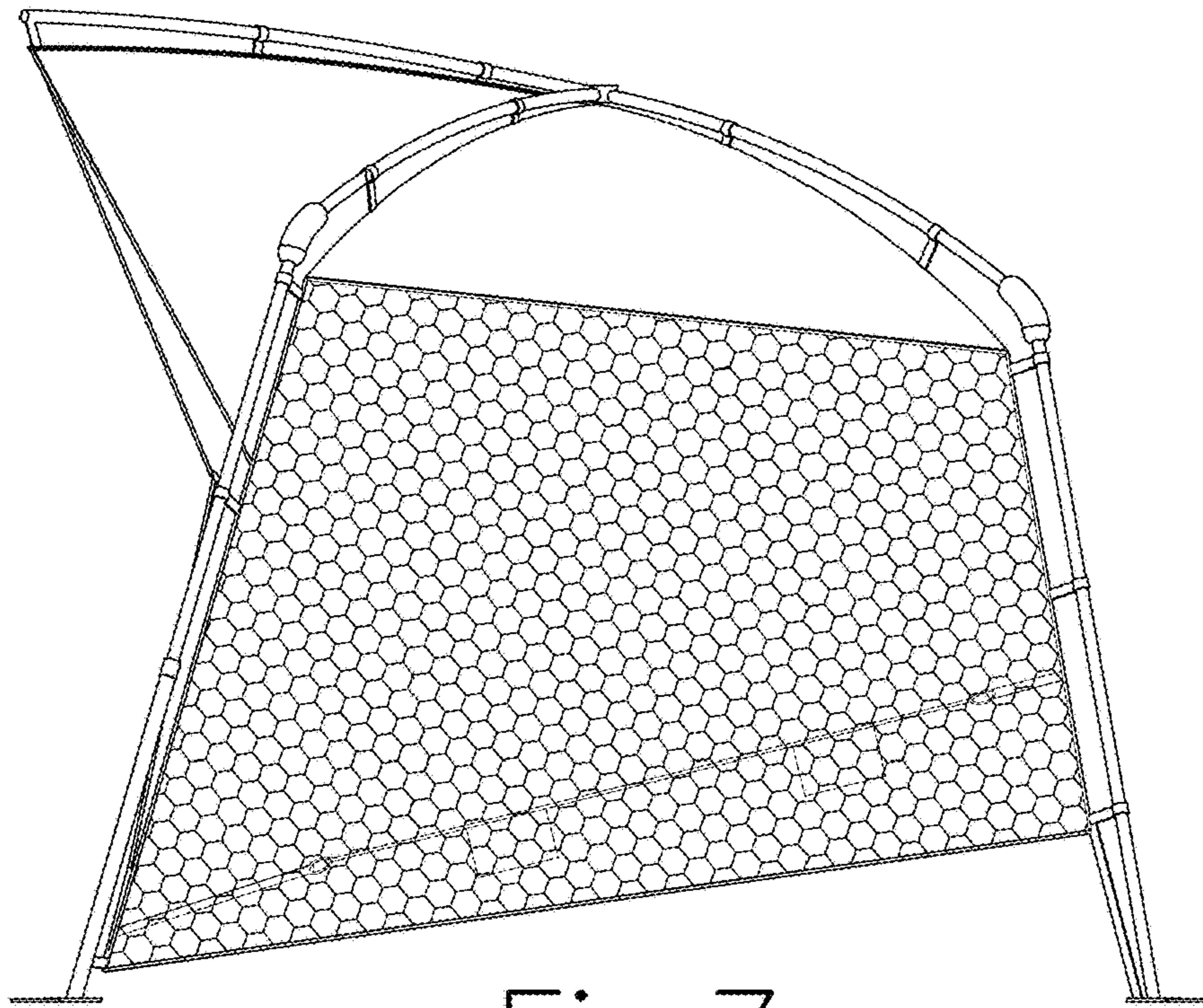


Fig. 7

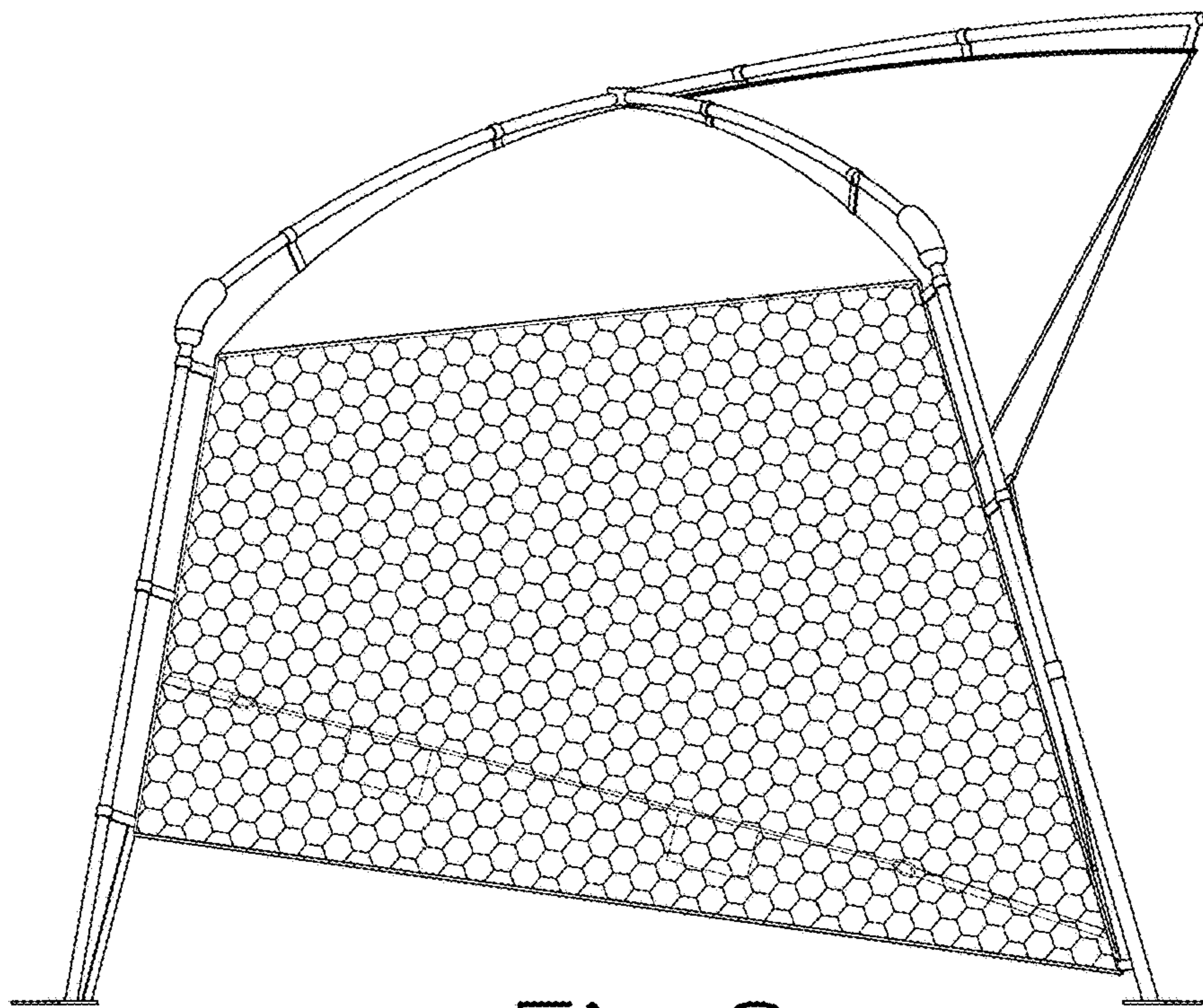


Fig. 8