



US00D836172S

(12) **United States Design Patent** (10) **Patent No.:** **US D836,172 S**  
**Kuka** (45) **Date of Patent:** **\*\* Dec. 18, 2018**

(54) **TRAINING STATION**  
(71) Applicant: **Move Strong Functional Fitness Equipment LLC**, Chattanooga, TN (US)  
(72) Inventor: **Jared Kuka**, Chattanooga, TN (US)  
(73) Assignee: **MoveStrong Functional Fitness Equipment, LLC**, Chattanooga, TN (US)  
(\*\*) Term: **15 Years**  
(21) Appl. No.: **29/585,597**  
(22) Filed: **Nov. 28, 2016**  
(51) **LOC (11) Cl.** ..... **21-02**  
(52) **U.S. Cl.**  
USPC ..... **D21/686**  
(58) **Field of Classification Search**  
USPC ..... 482/34, 36, 38, 92, 142; 601/19, 24; 602/32; 606/243; D21/662, 679, 686, D21/694, 811, 814, 826; D25/1, 64, 66, D25/68, 69; 52/40; 182/178.6  
CPC ..... A63B 71/023; A63B 9/00  
See application file for complete search history.

(56) **References Cited**  
**U.S. PATENT DOCUMENTS**  
2,361,614 A \* 10/1944 Dugan ..... E04G 1/14 52/40  
2,818,308 A \* 12/1957 Williams ..... E04G 1/14 182/178.6  
D251,987 S \* 5/1979 Bristow ..... D25/61  
(Continued)

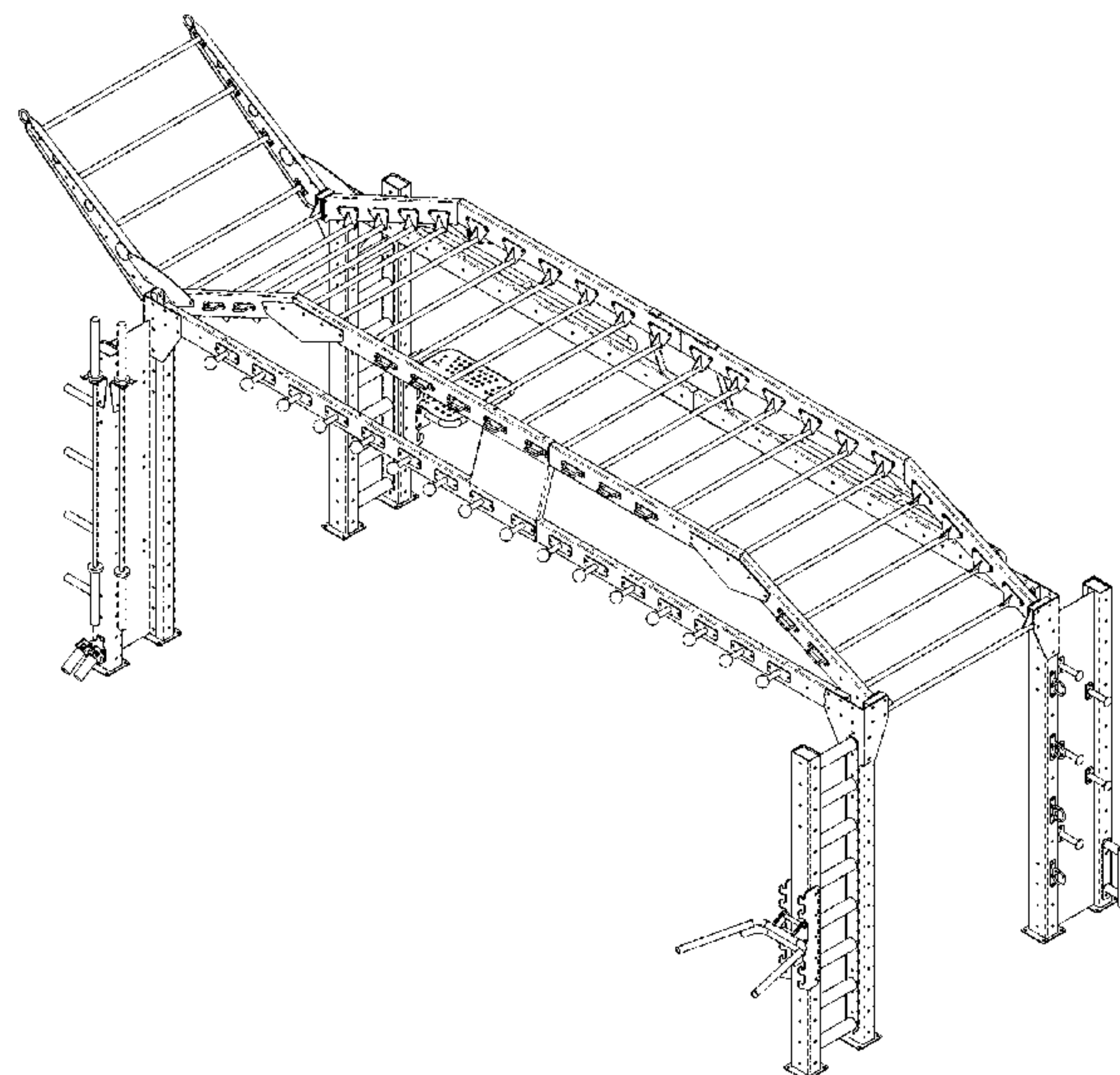
**OTHER PUBLICATIONS**  
Movestrongfit, "Nova XL Arch Bridge", Feb. 27, 2017. <http://www.movestrongfit.com/productnews/2017/2/27/nova-xl-arch-bridge>. Shown. (Year: 2017).\*

*Primary Examiner* — Cynthia Ramirez  
*Assistant Examiner* — Michael A Maharajh  
(74) *Attorney, Agent, or Firm* — Patterson Intellectual Property Law, P.C.; Ryan D. Levy

(57) **CLAIM**  
The ornamental design for a training station, as shown and described.

**DESCRIPTION**  
FIG. 1 is a perspective view of a training station showing my new design;  
FIG. 2 is a partial perspective view of the left side thereof;  
FIG. 3 is a partial perspective view of the right side thereof;  
FIG. 4 is a partial bottom perspective view of the right side thereof;  
FIG. 5 is a partial bottom perspective view of the left side thereof;  
FIG. 6 is a partial front elevation view of the left side thereof;  
FIG. 7 is a partial front elevation view of the right side thereof;  
FIG. 8 is a partial rear elevation view of the right side thereof;  
FIG. 9 is a partial rear elevation view of the left side thereof;  
FIG. 10 is a partial top plan view of the left side thereof;  
FIG. 11 is a partial top plan view of the right side thereof;  
FIG. 12 is a partial bottom plan view of the right side thereof;  
FIG. 13 is a partial bottom plan view of the left side thereof;  
FIG. 14 is a partial side elevation view thereof; and,  
FIG. 15 is another partial side elevation view thereof.  
The training station has been shown in partial views for convenience of illustration.

**1 Claim, 15 Drawing Sheets**





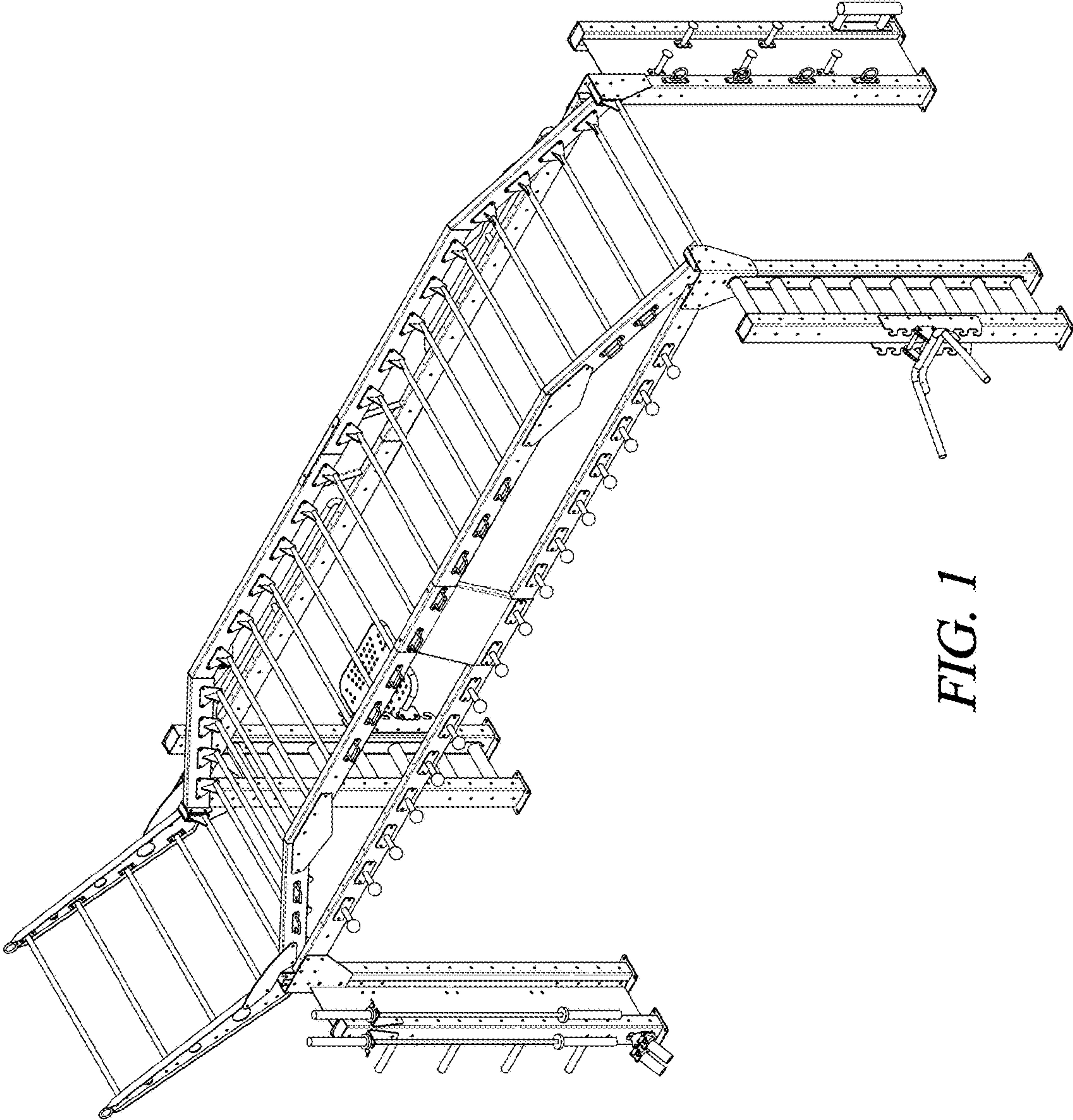


FIG. 1



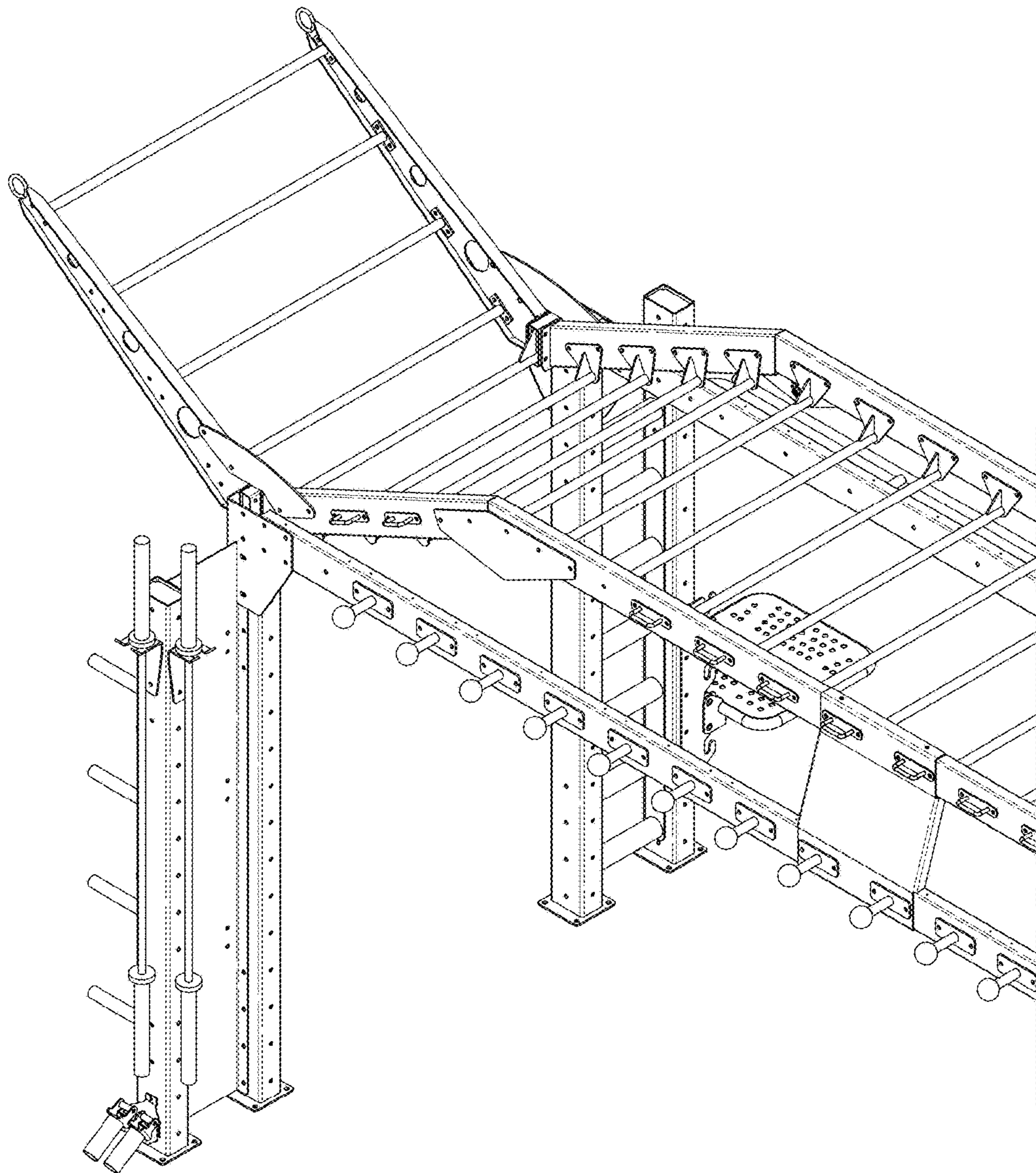
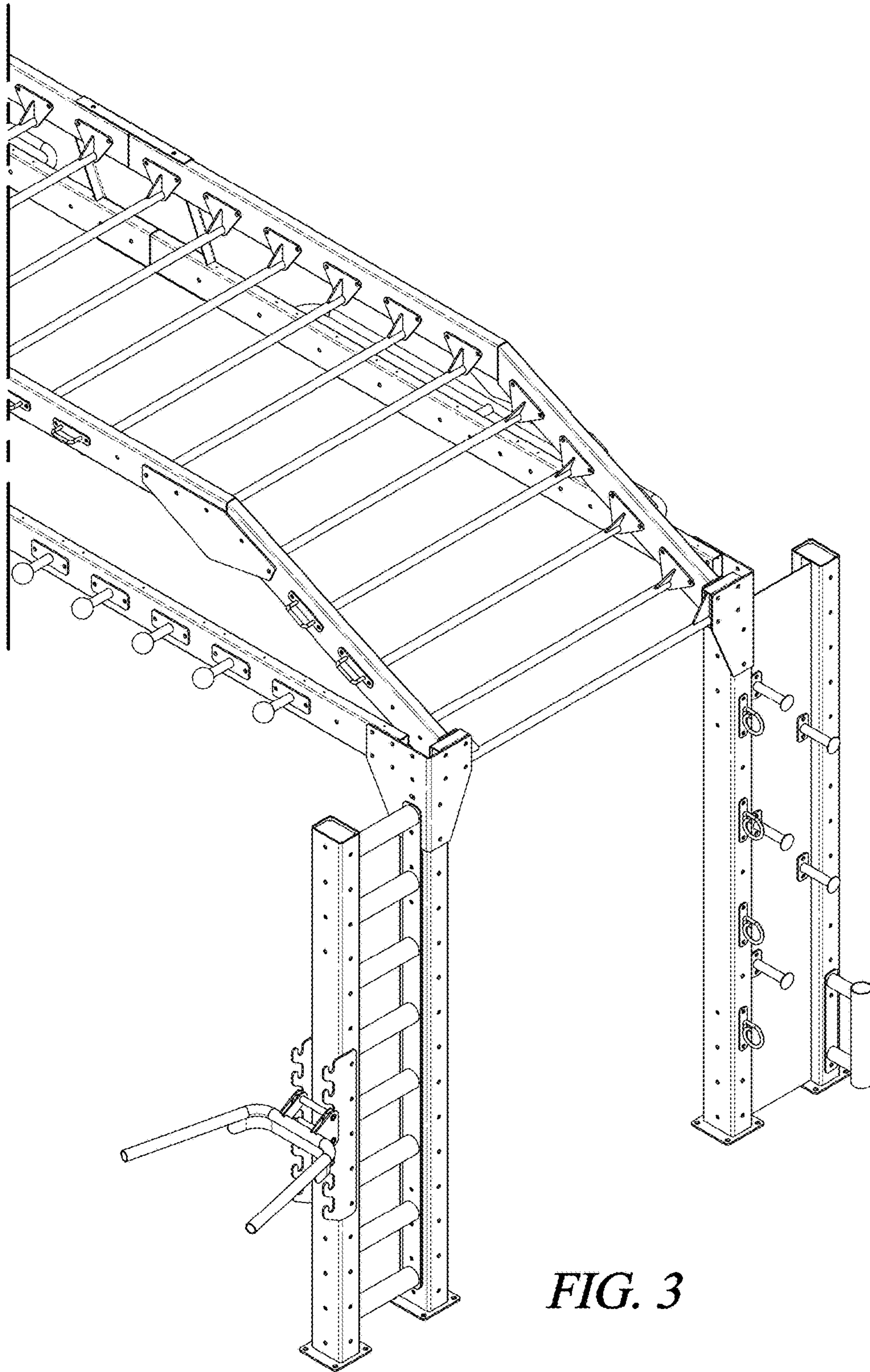


FIG. 2



*FIG. 3*

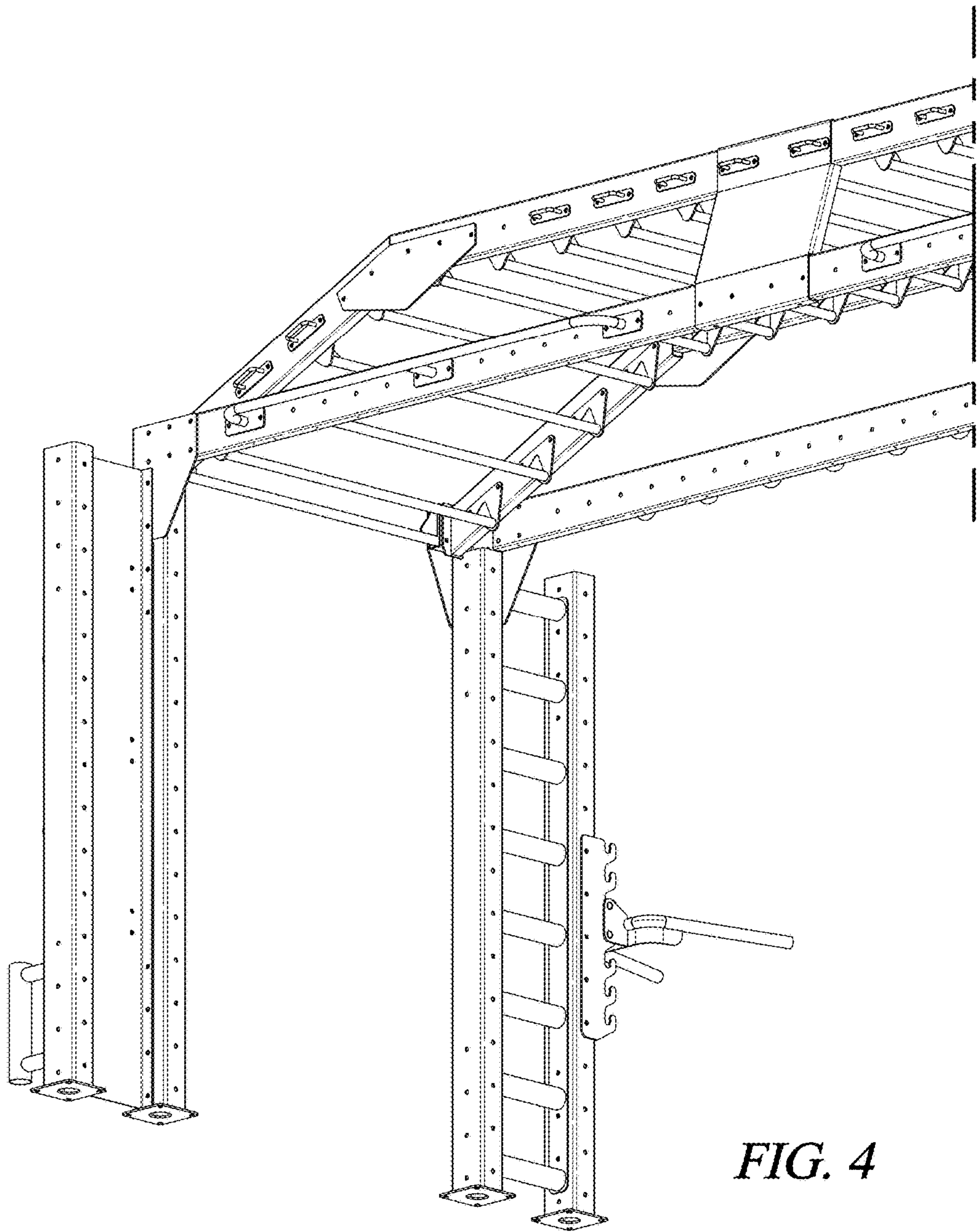
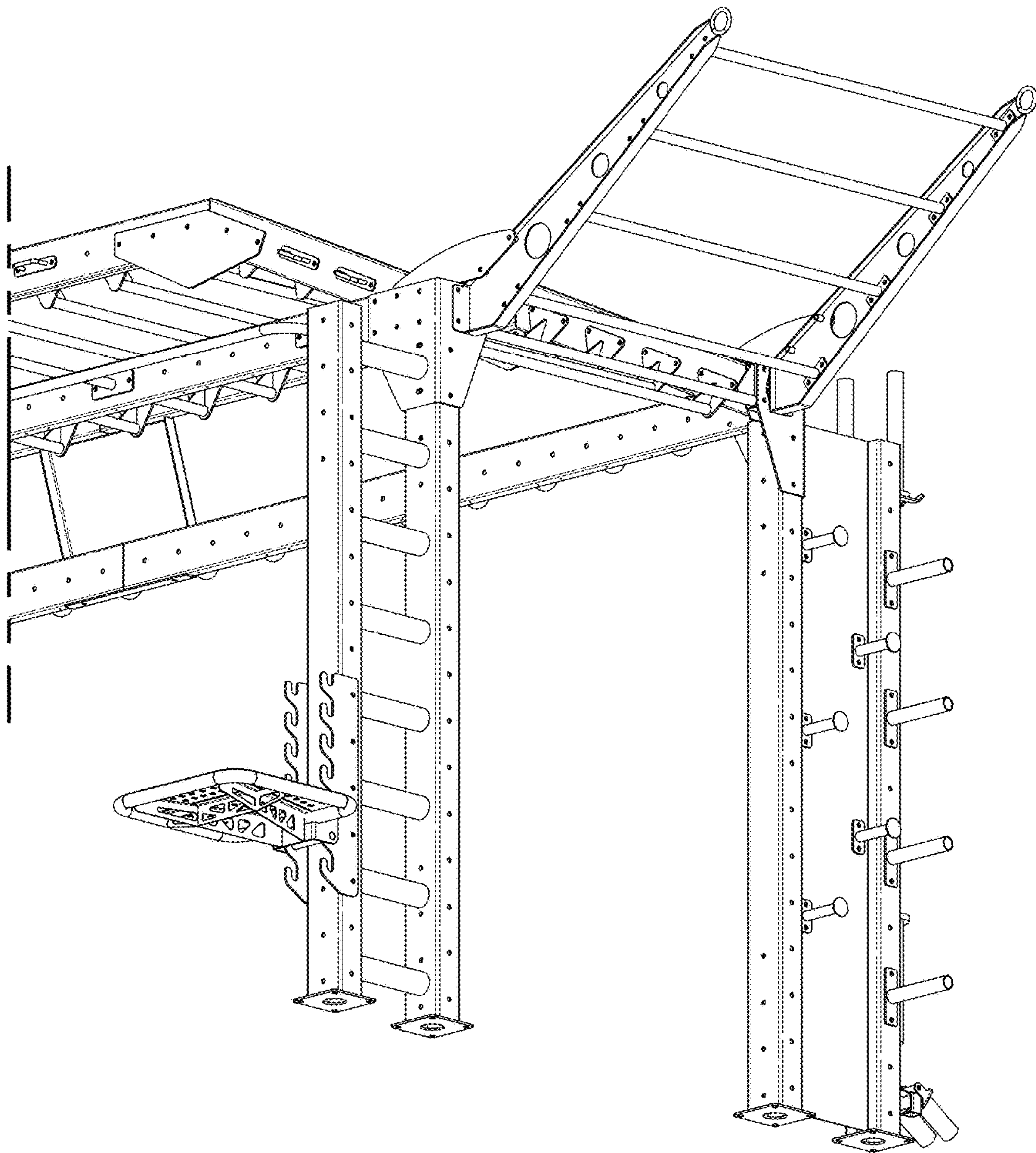


FIG. 4





*FIG. 5*

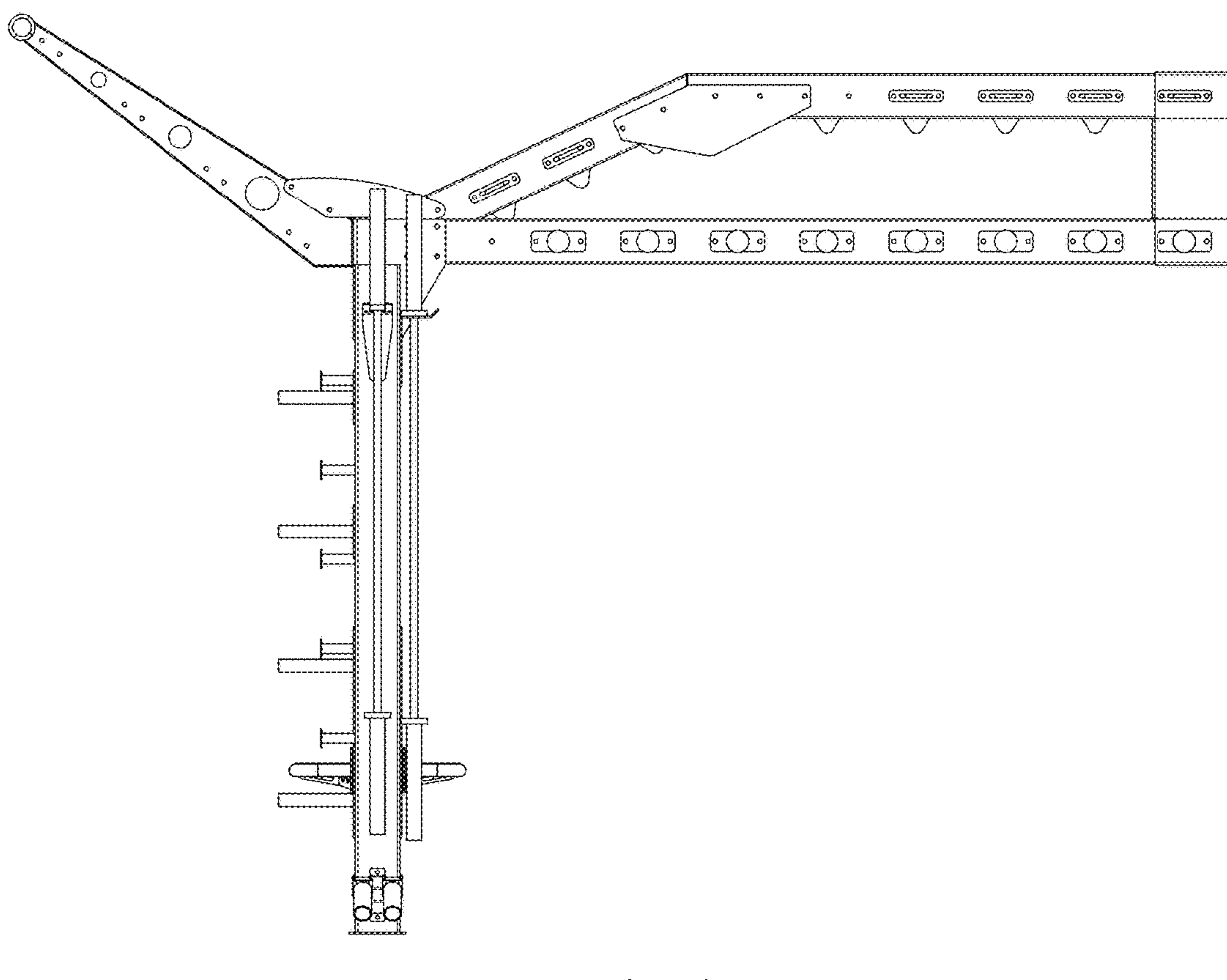
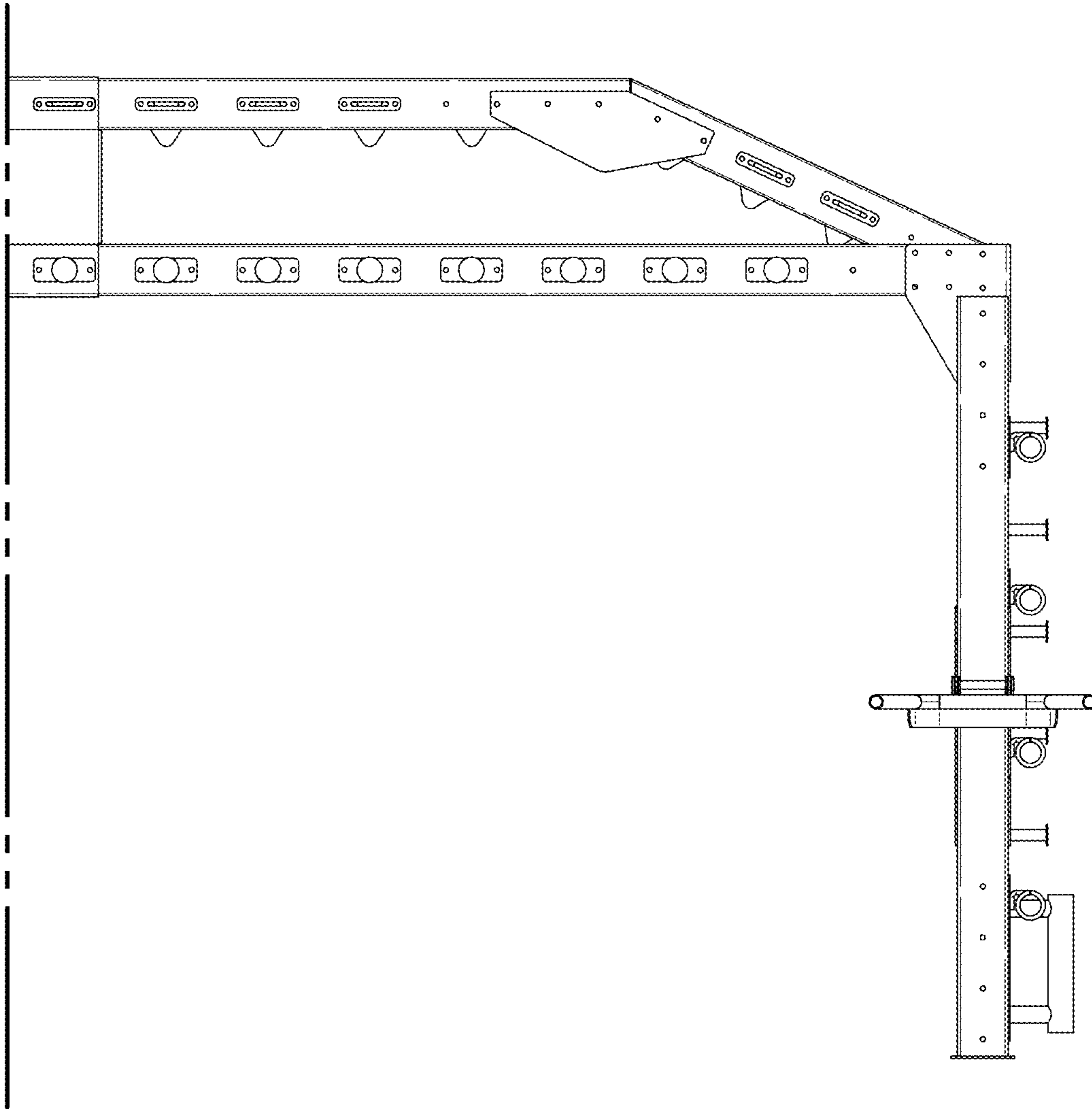
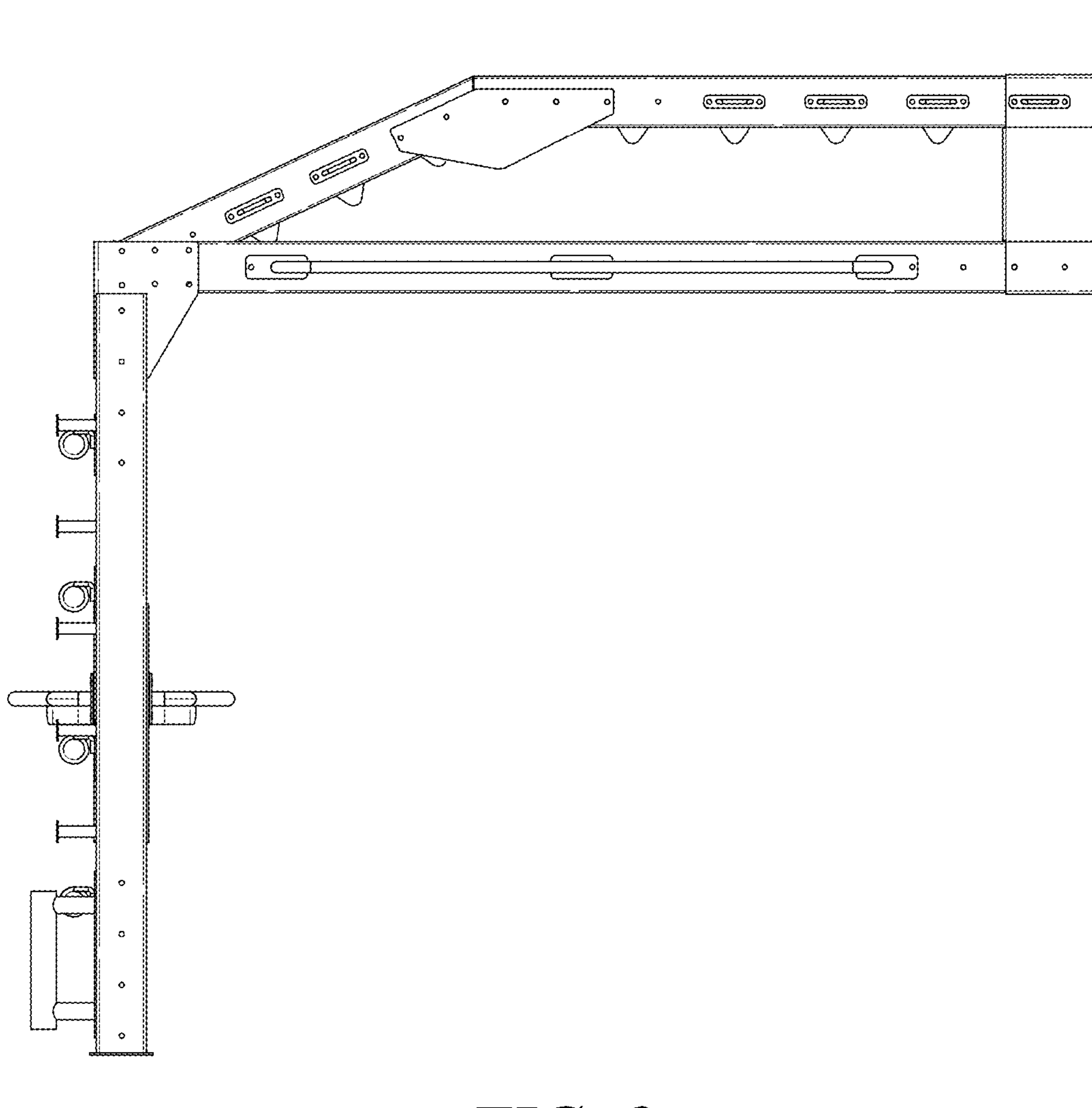


FIG. 6





*FIG. 7*



*FIG. 8*

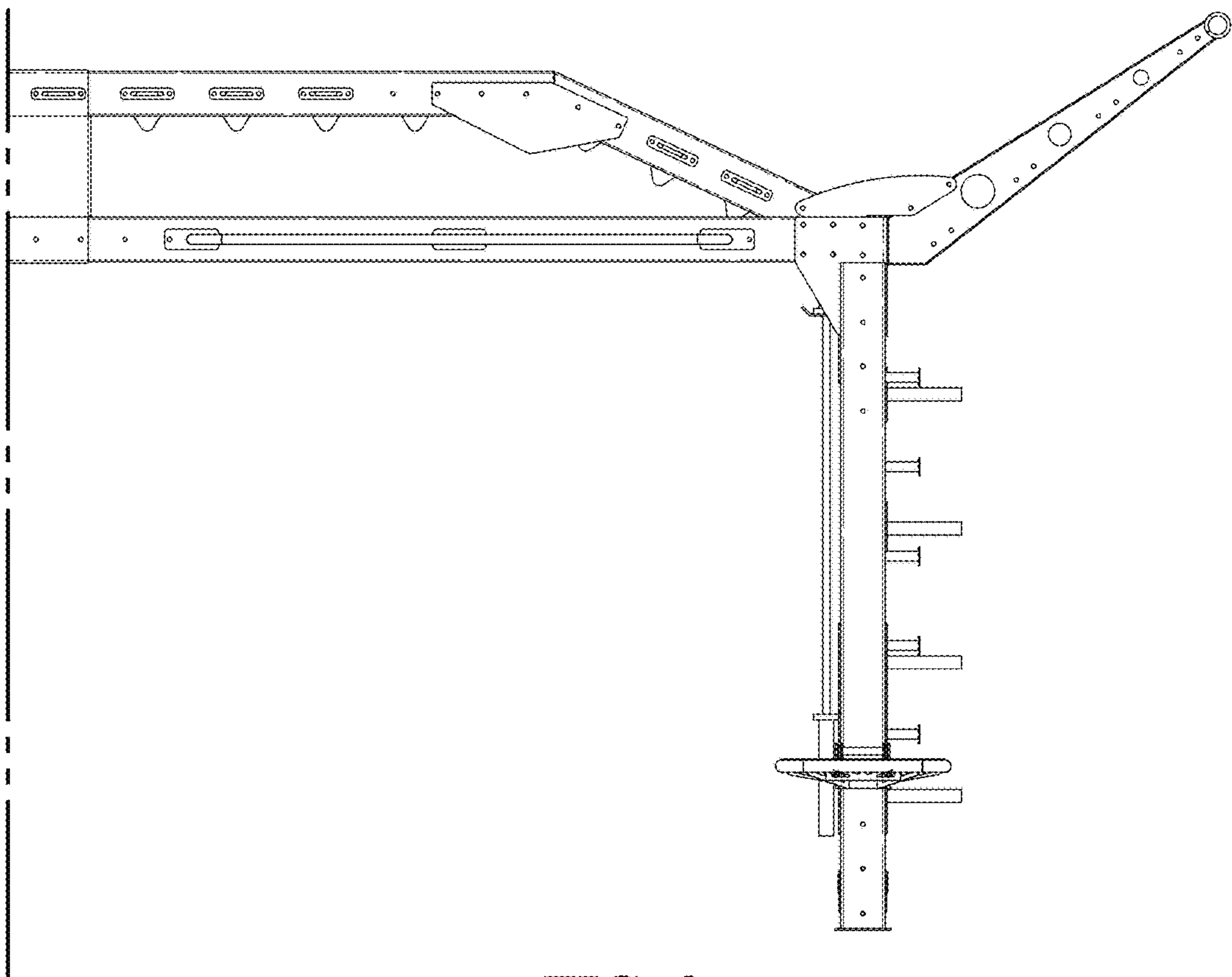
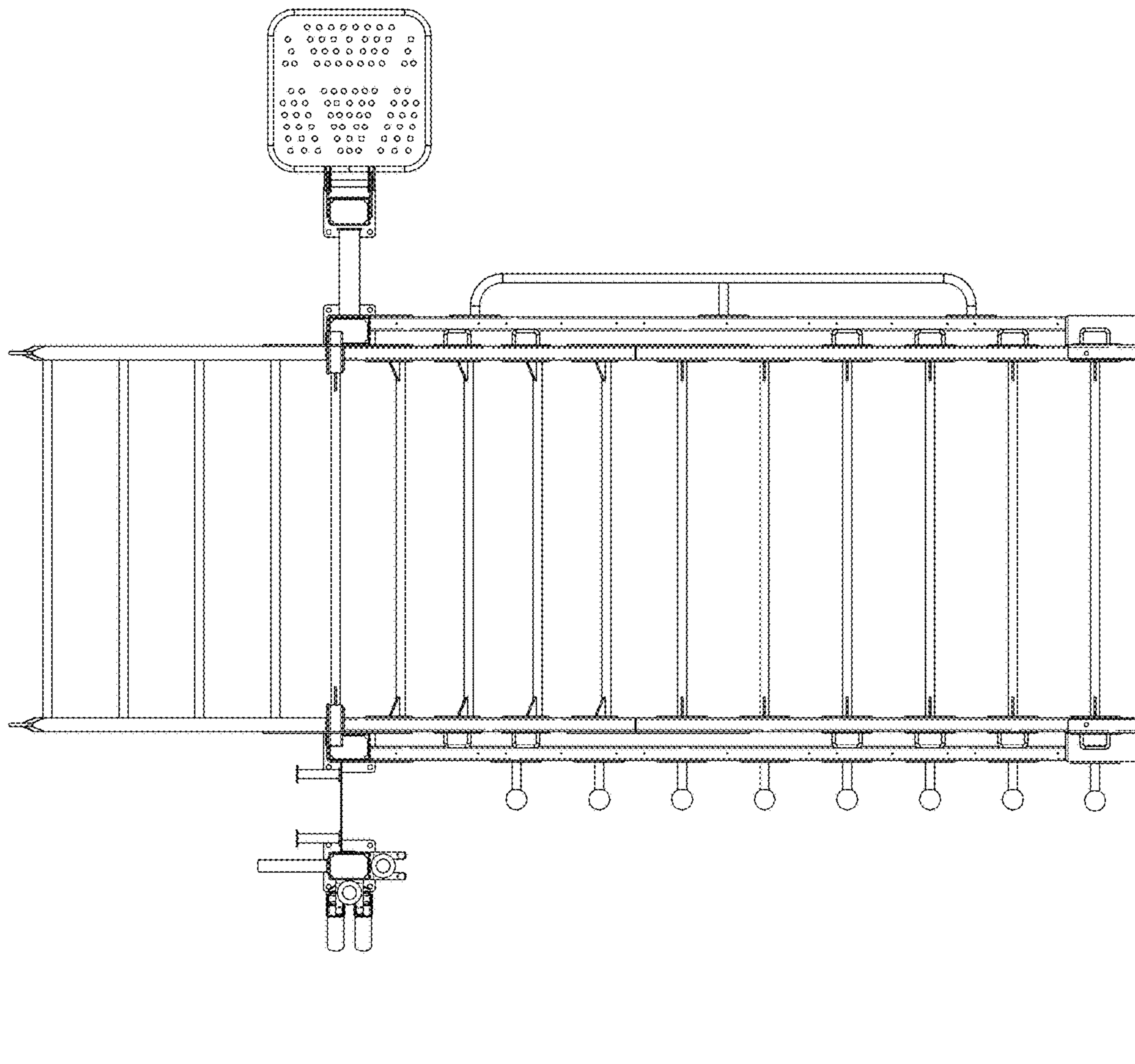
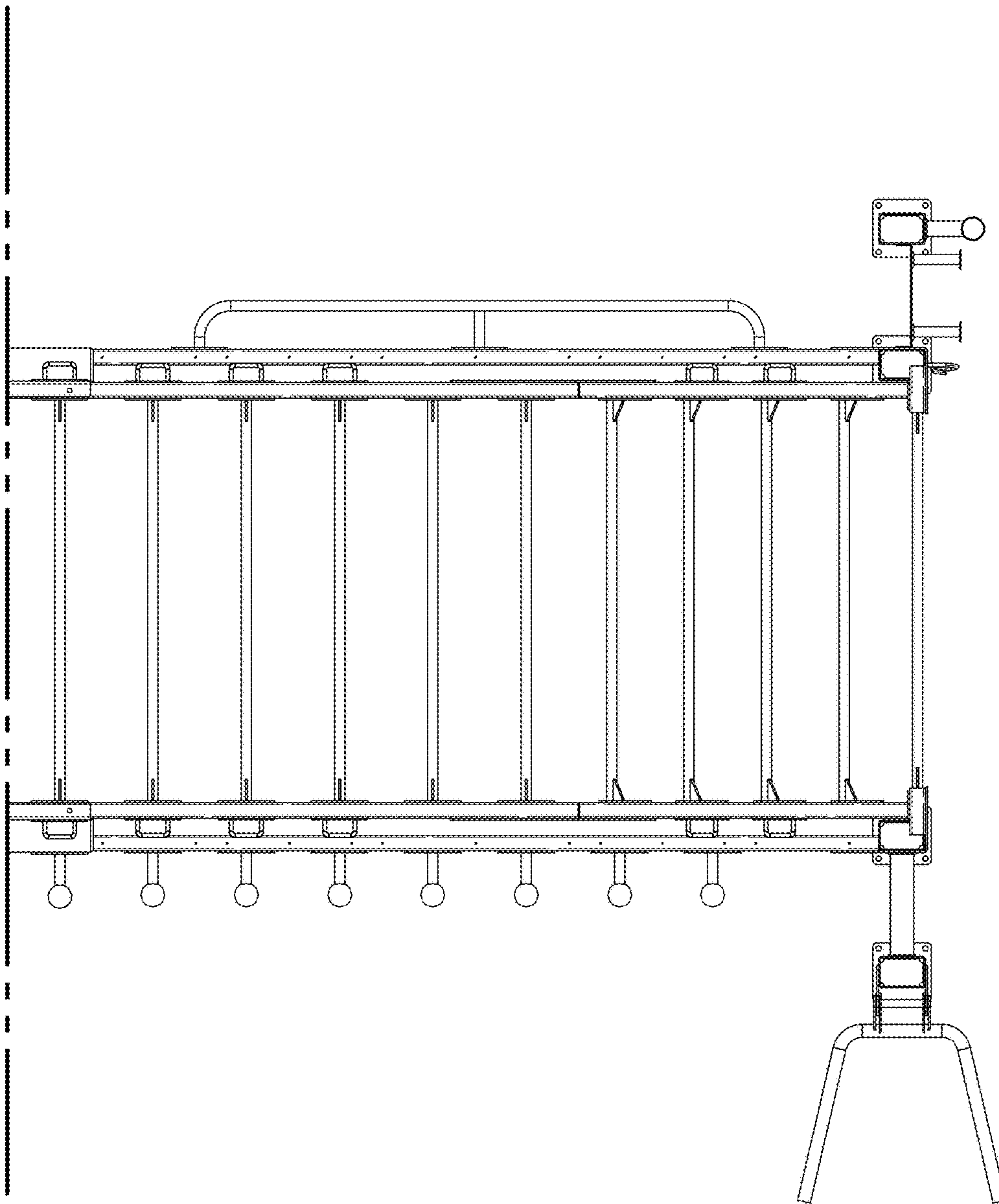


FIG. 9





*FIG. 10*



*FIG. 11*

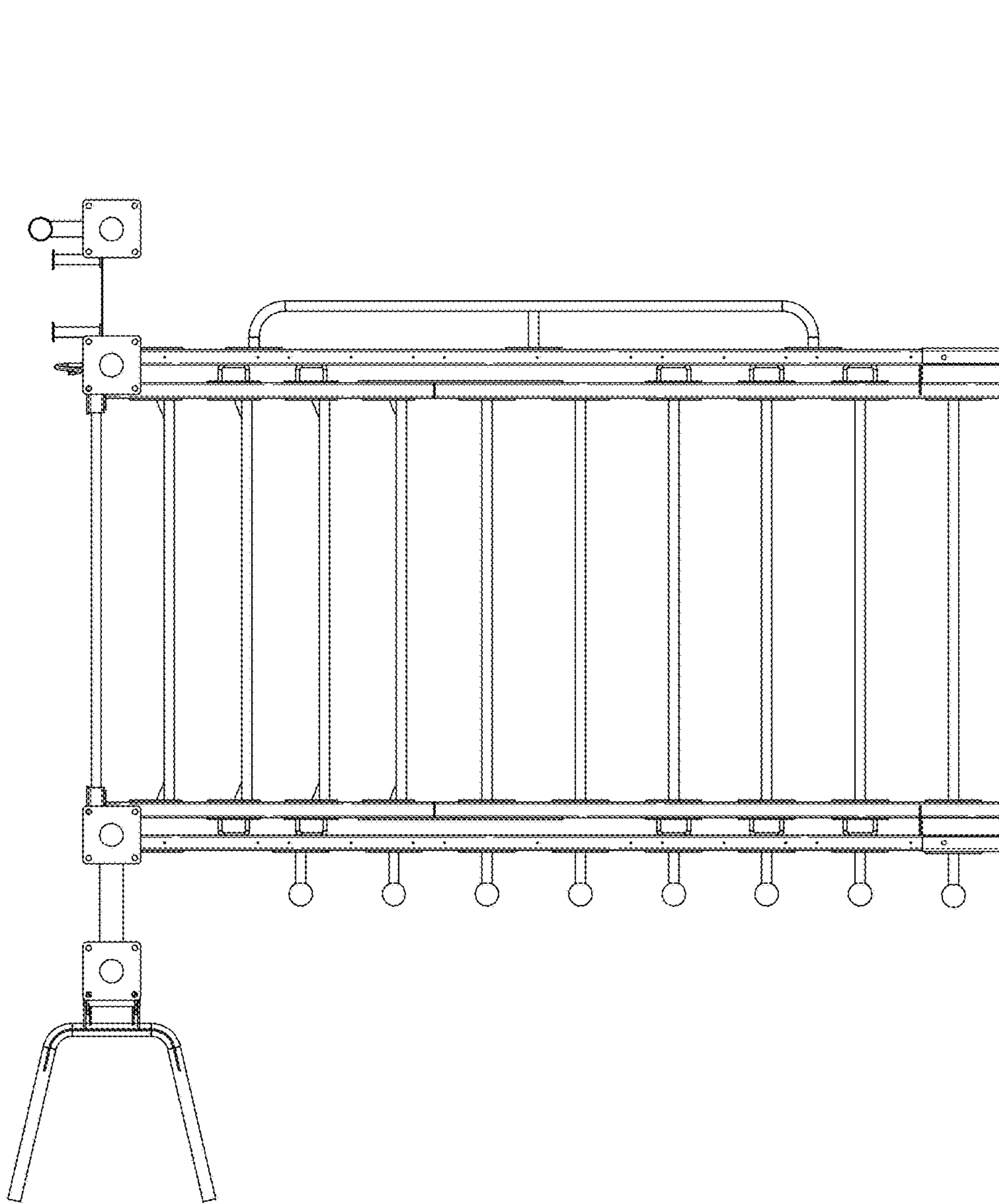
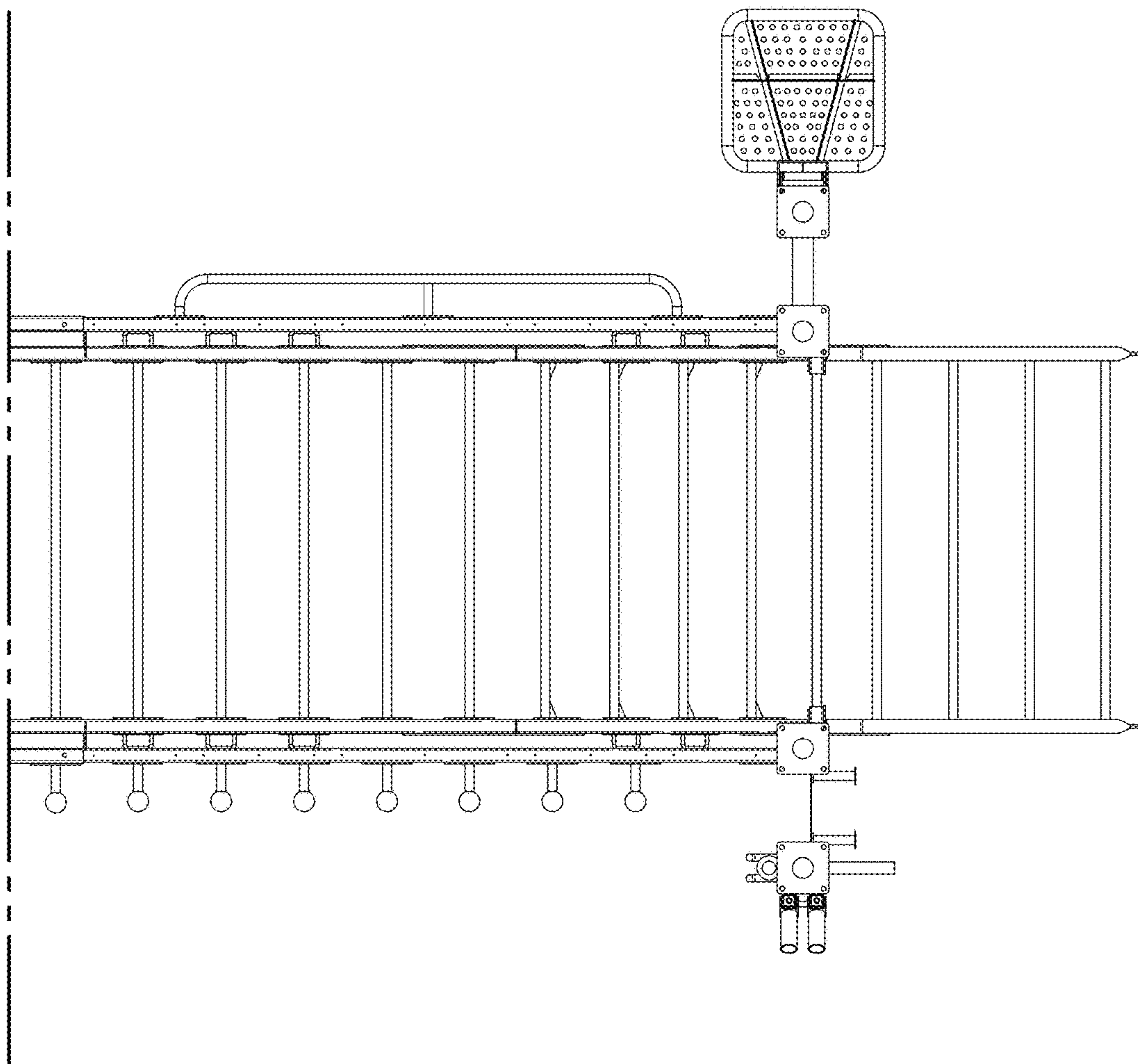


FIG. 12





*FIG. 13*

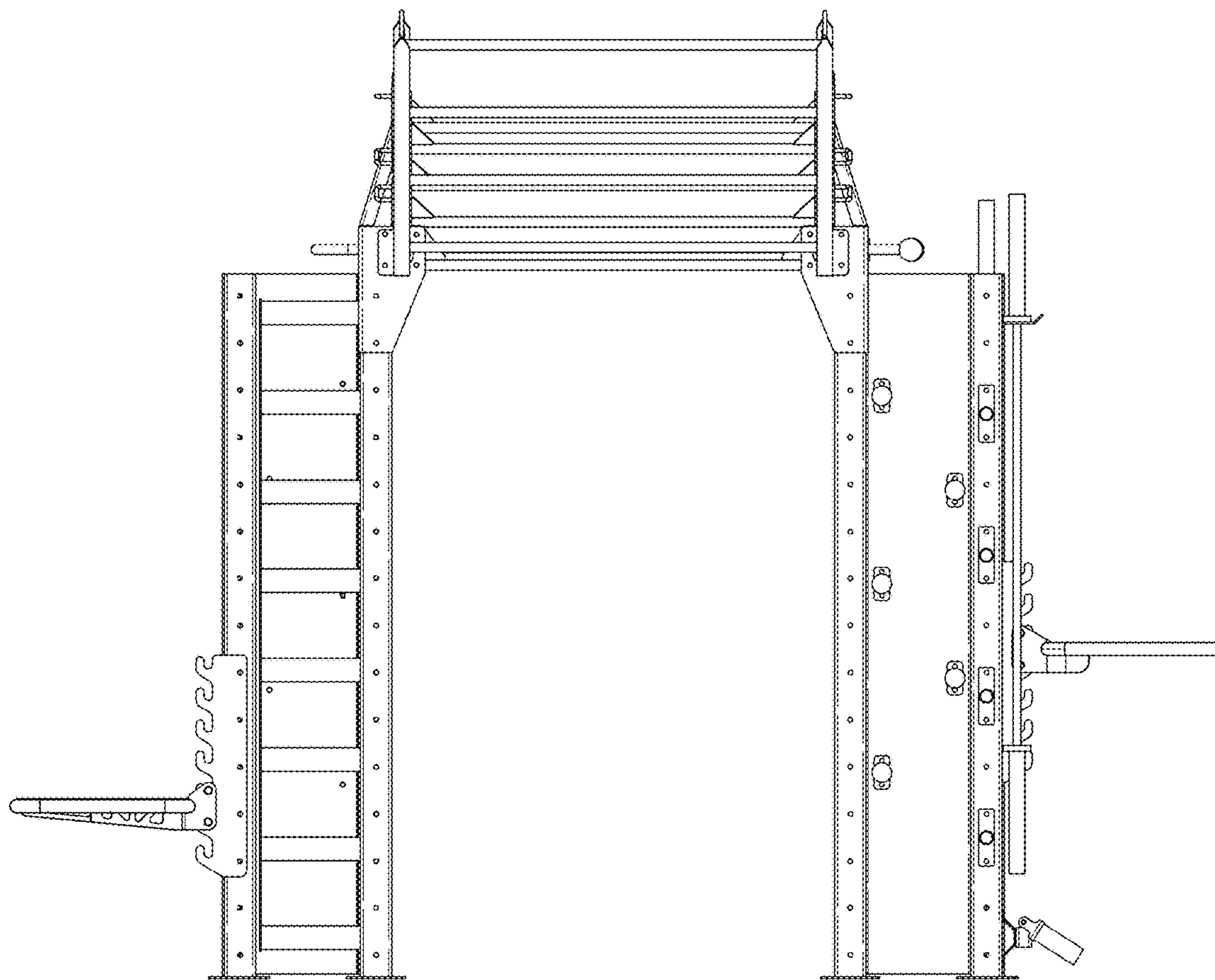
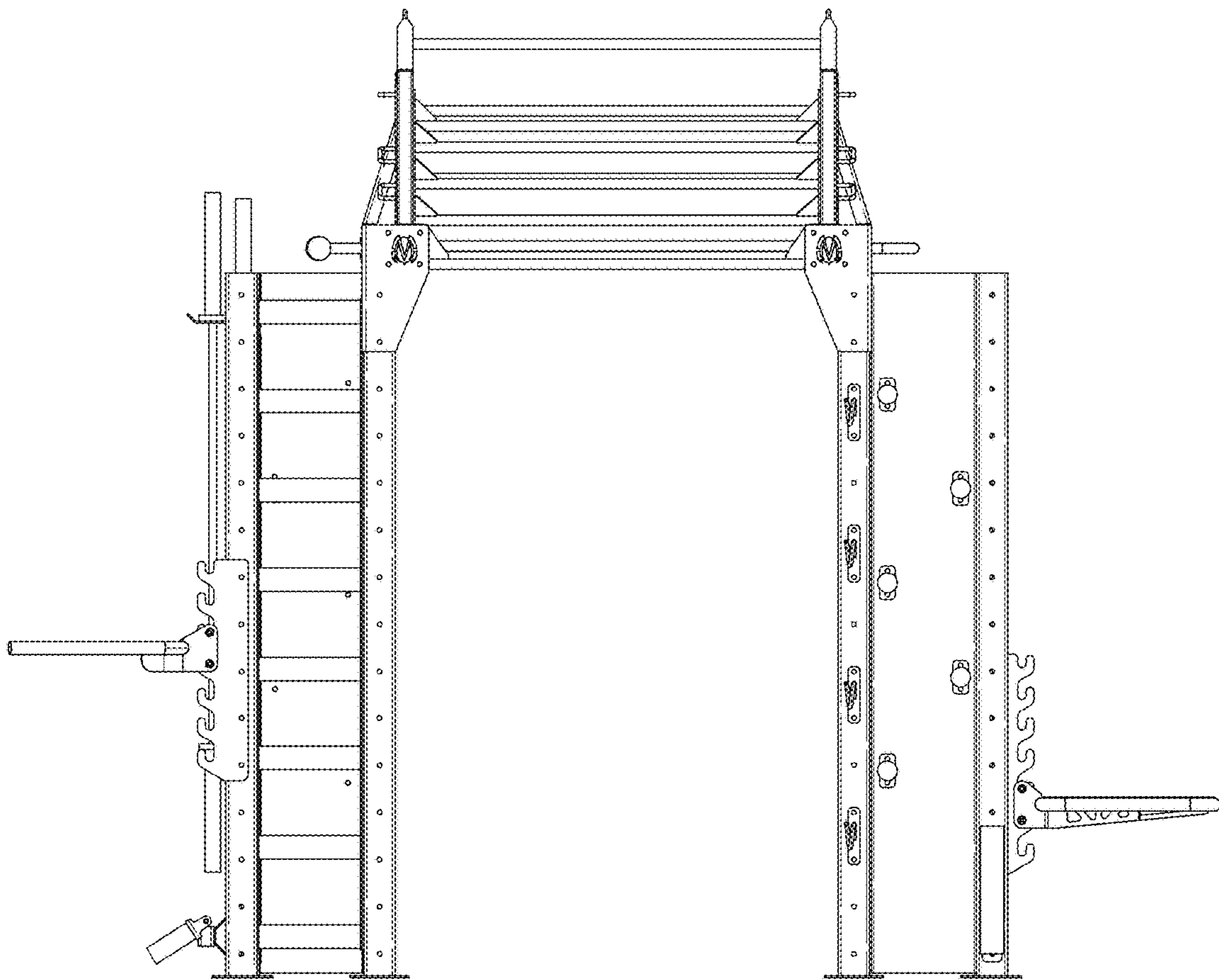


FIG. 14



*FIG. 15*