



US00D836165S

(12) **United States Design Patent**
Peng

(10) **Patent No.:** **US D836,165 S**
(45) **Date of Patent:** **** Dec. 18, 2018**

(54) **CONNECTOR PIECE FOR ASSEMBLING TOYS AND FURNITURE**

(71) Applicant: **JiZhong Peng**, Beijing (CN)

(72) Inventor: **JiZhong Peng**, Beijing (CN)

(**) Term: **15 Years**

(21) Appl. No.: **29/622,028**

(22) Filed: **Oct. 13, 2017**

(30) **Foreign Application Priority Data**

Apr. 13, 2017 (CN) 2017 3 0122298

Apr. 14, 2017 (CN) 2017 3 0125405

(51) **LOC (11) Cl.** **21-01**

(52) **U.S. Cl.**
USPC **D21/499**

(58) **Field of Classification Search**
USPC D21/372, 373, 386, 389, 404, 468, 470,
D21/471, 484-505; 446/69, 85, 102-128;
(Continued)

(56) **References Cited**

U.S. PATENT DOCUMENTS

2,132,757 A * 10/1938 Paulson A63H 33/04
376/459

D235,570 S * 6/1975 Barton D21/499
(Continued)

Primary Examiner — Cynthia M. Chin

(74) *Attorney, Agent, or Firm* — Muncy, Geissler, Olds & Lowe, P.C

(57) **CLAIM**

The ornamental design for a connector piece for assembling toys and furniture, as shown and described.

DESCRIPTION

FIG. 1 is a front perspective view of a connector piece for assembling toys and furniture according to an embodiment of the present invention.

FIG. 2 is a front view of the connector piece for assembling toys and furniture of FIG. 1.

FIG. 3 is a rear view of the connector piece for assembling toys and furniture of FIG. 1.

FIG. 4 is a left side view of the connector piece for assembling toys and furniture of FIG. 1.

FIG. 5 is a right side view of the connector piece for assembling toys and furniture of FIG. 1.

FIG. 6 is a top view of the connector piece for assembling toys and furniture of FIG. 1.

FIG. 7 is a bottom view of the connector piece for assembling toys and furniture of FIG. 1.

FIG. 8 is a front perspective view of the connector piece for assembling toys and furniture according to an embodiment of the present invention.

FIG. 9 is a front view of the connector piece for assembling toys and furniture of FIG. 8.

FIG. 10 is a rear view of the connector piece for assembling toys and furniture of FIG. 8.

FIG. 11 is a left side view of the connector piece for assembling toys and furniture of FIG. 8.

FIG. 12 is a right side view of the connector piece for assembling toys and furniture of FIG. 8.

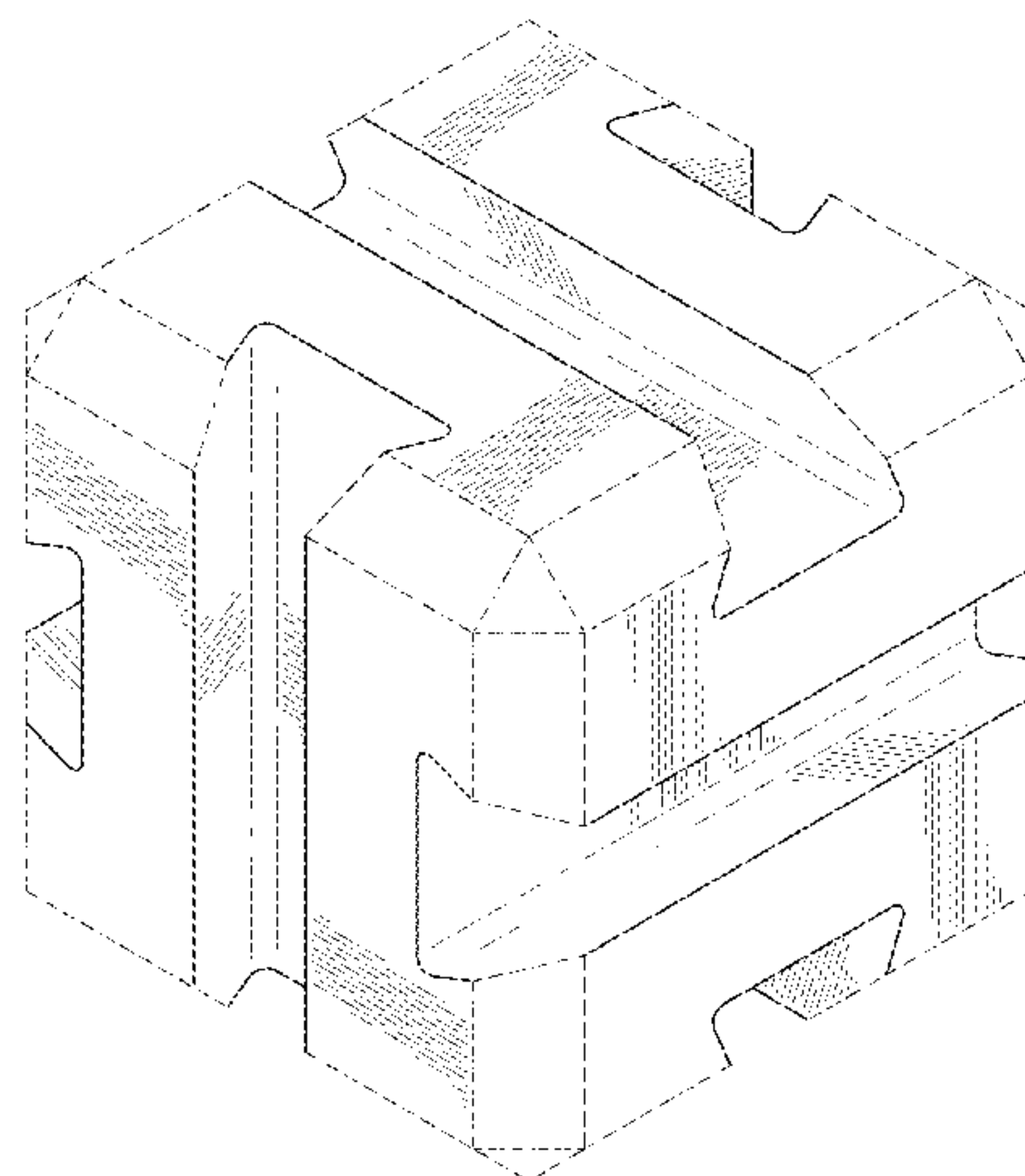
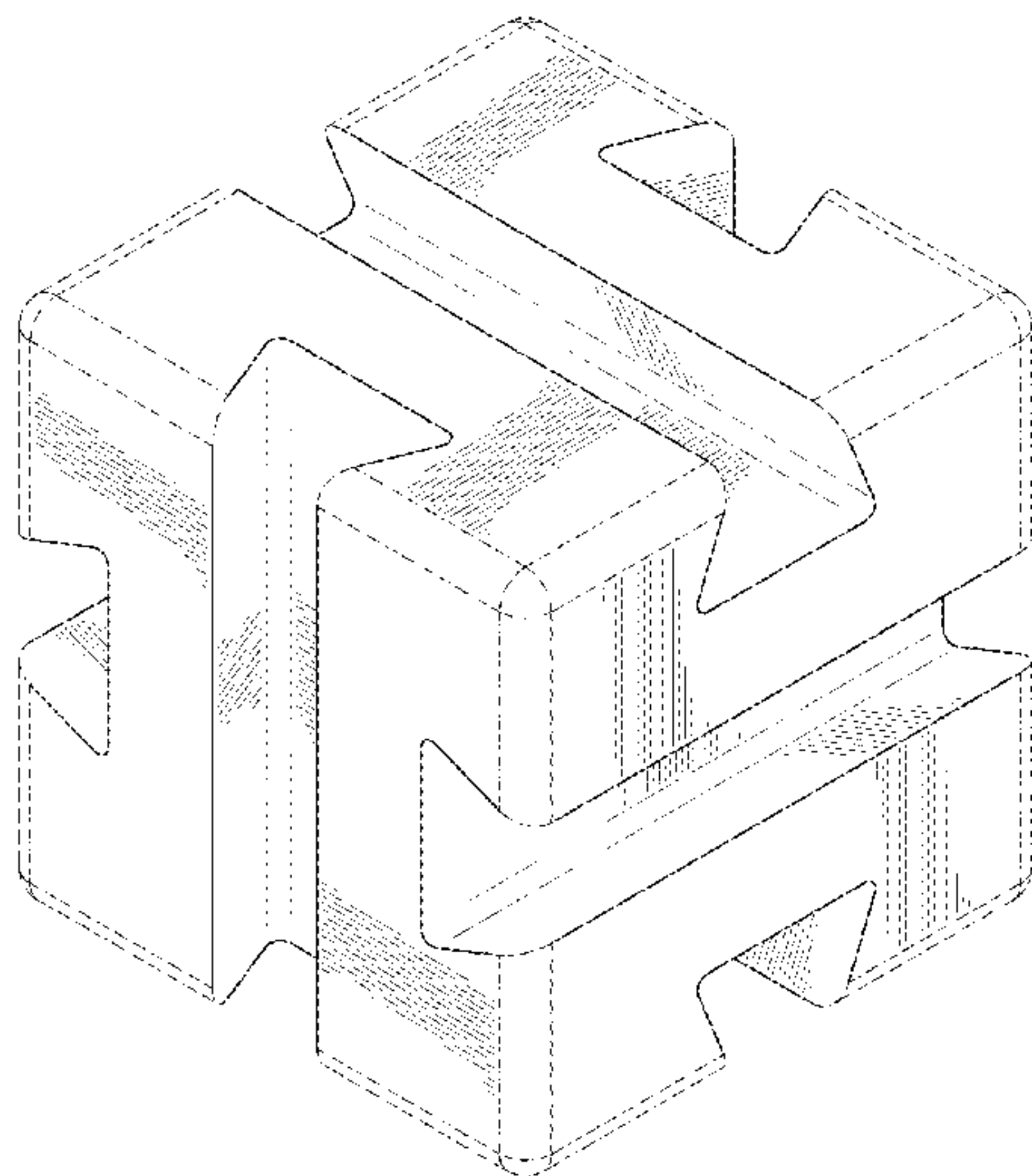
FIG. 13 is a top view of the connector piece for assembling toys and furniture of FIG. 8.

FIG. 14 is a bottom view of the connector piece for assembling toys and furniture of FIG. 8; and,

FIG. 15 is a perspective view of the connector piece for assembling toys and furniture of FIGS. 1 and 8 in a connected fashion with other connector pieces.

In FIGS. 1-15, the broken lines immediately adjacent the shaded areas represent the bounds of the claim and all other broken lines represent unclaimed portions of the article. Additionally, the broken lines showing another connector illustrates an exemplary environment. None of the broken lines form a part of the claimed design.

1 Claim, 15 Drawing Sheets



(58) **Field of Classification Search**

USPC 434/208, 259, 403; 273/153, 156, 160;
D25/113-116, 118; D8/382
CPC A63H 33/04; A63H 33/06; A63H 33/08;
A63H 33/084; A63H 33/086; A63H
33/088; A63H 33/10; A63H 33/105;
A63H 33/108

See application file for complete search history.

(56) **References Cited**

U.S. PATENT DOCUMENTS

D282,264 S * 1/1986 Wiese D10/64
D343,886 S * 2/1994 Mattesky D22/119
D350,784 S * 9/1994 Nielsen D21/499
D468,779 S * 1/2003 Manville D21/499
D469,825 S * 2/2003 Manville D21/499
D517,127 S * 3/2006 Choi D21/386
D524,873 S * 7/2006 Wickens D21/373
D531,514 S * 11/2006 Harris D9/560
7,198,270 B1 * 4/2007 Bishop A63F 9/12
273/153 S
D718,392 S * 11/2014 Weiss D21/500
D718,393 S * 11/2014 Weiss D21/500
D718,394 S * 11/2014 Weiss A63H 33/086
D21/500
D792,607 S * 7/2017 Penterman D25/113
D792,608 S * 7/2017 Penterman D25/113
9,829,022 B2 * 11/2017 Su F16B 7/0413

* cited by examiner

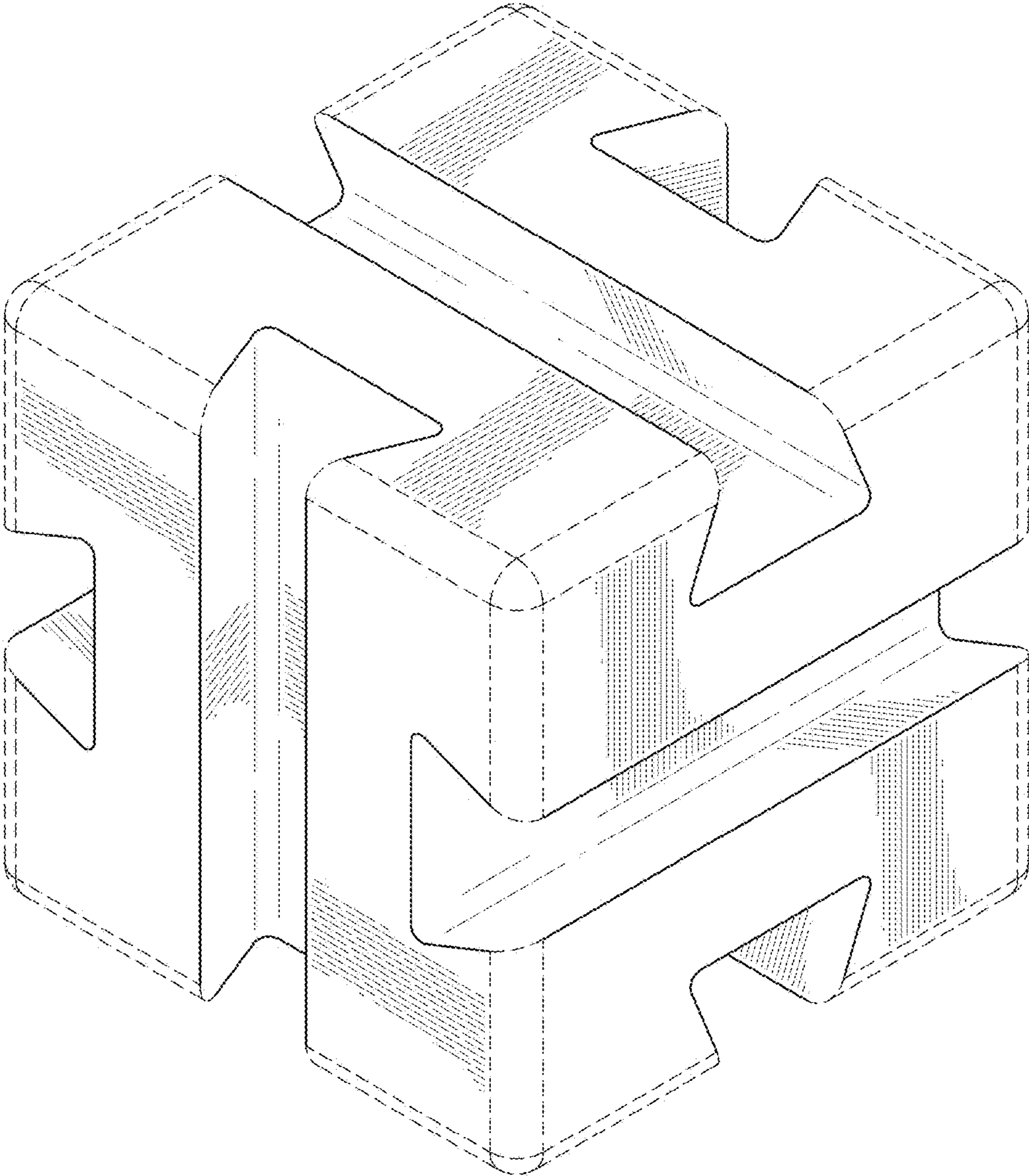


FIG. 1

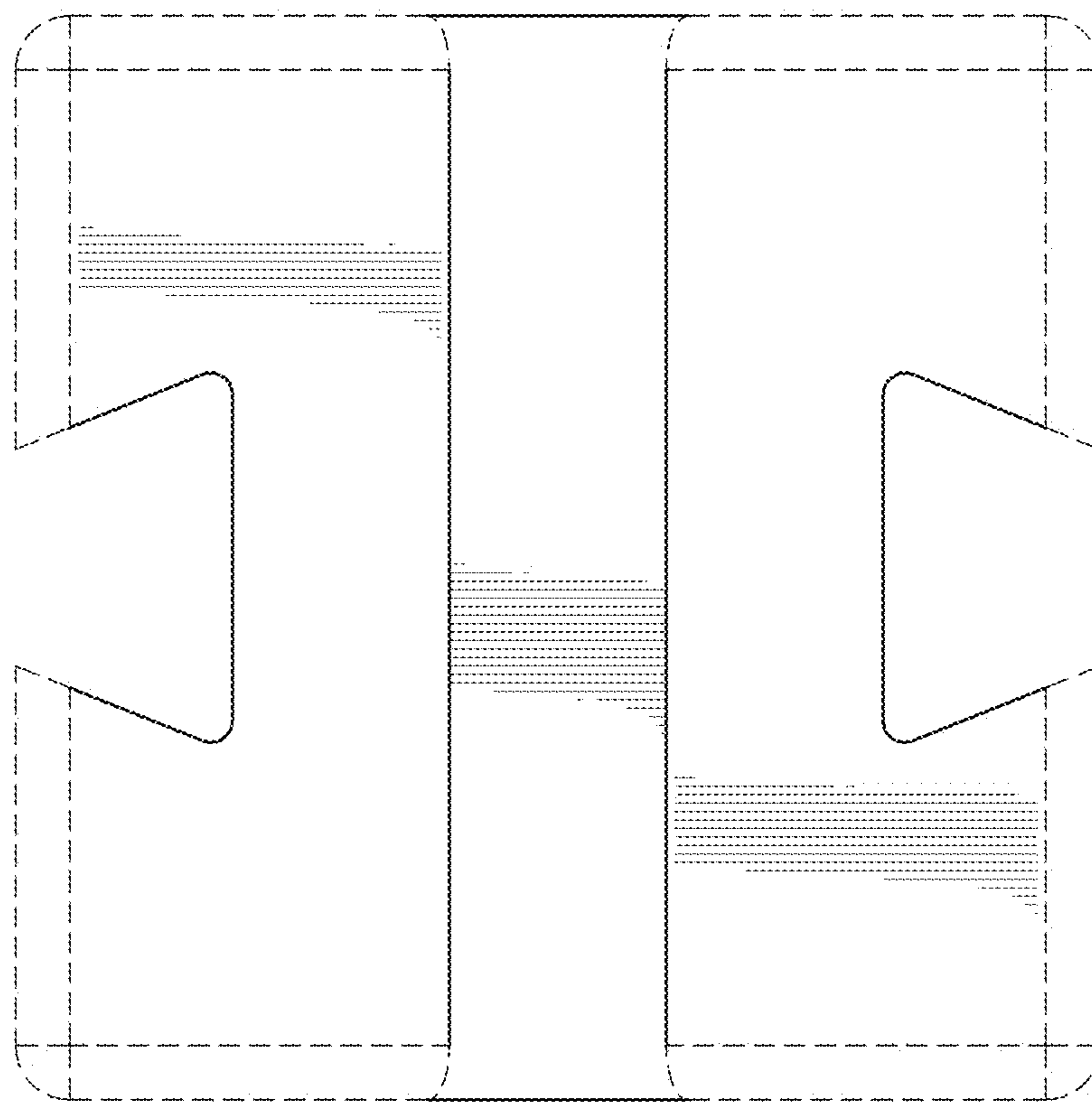


FIG. 2

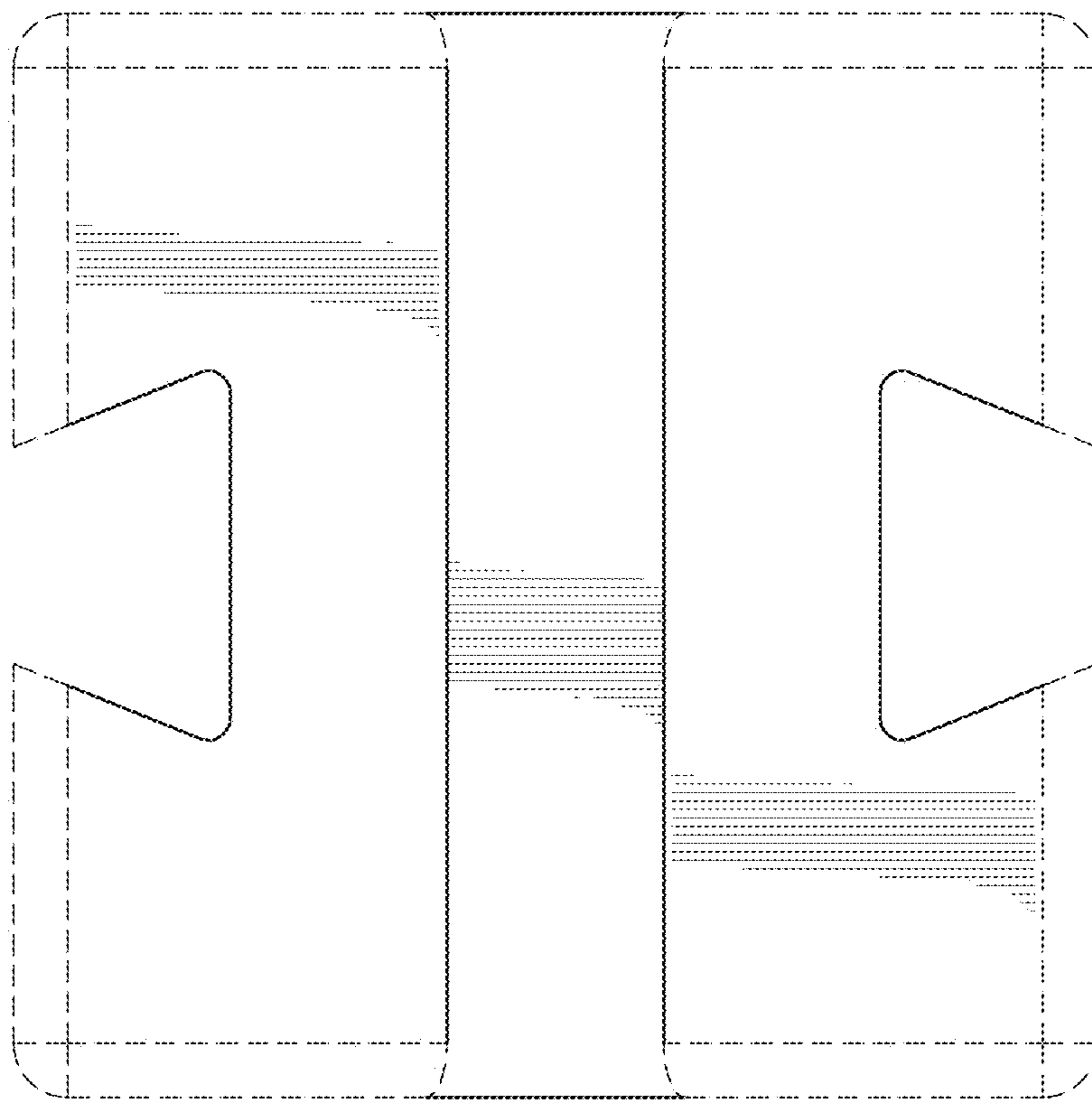


FIG.3

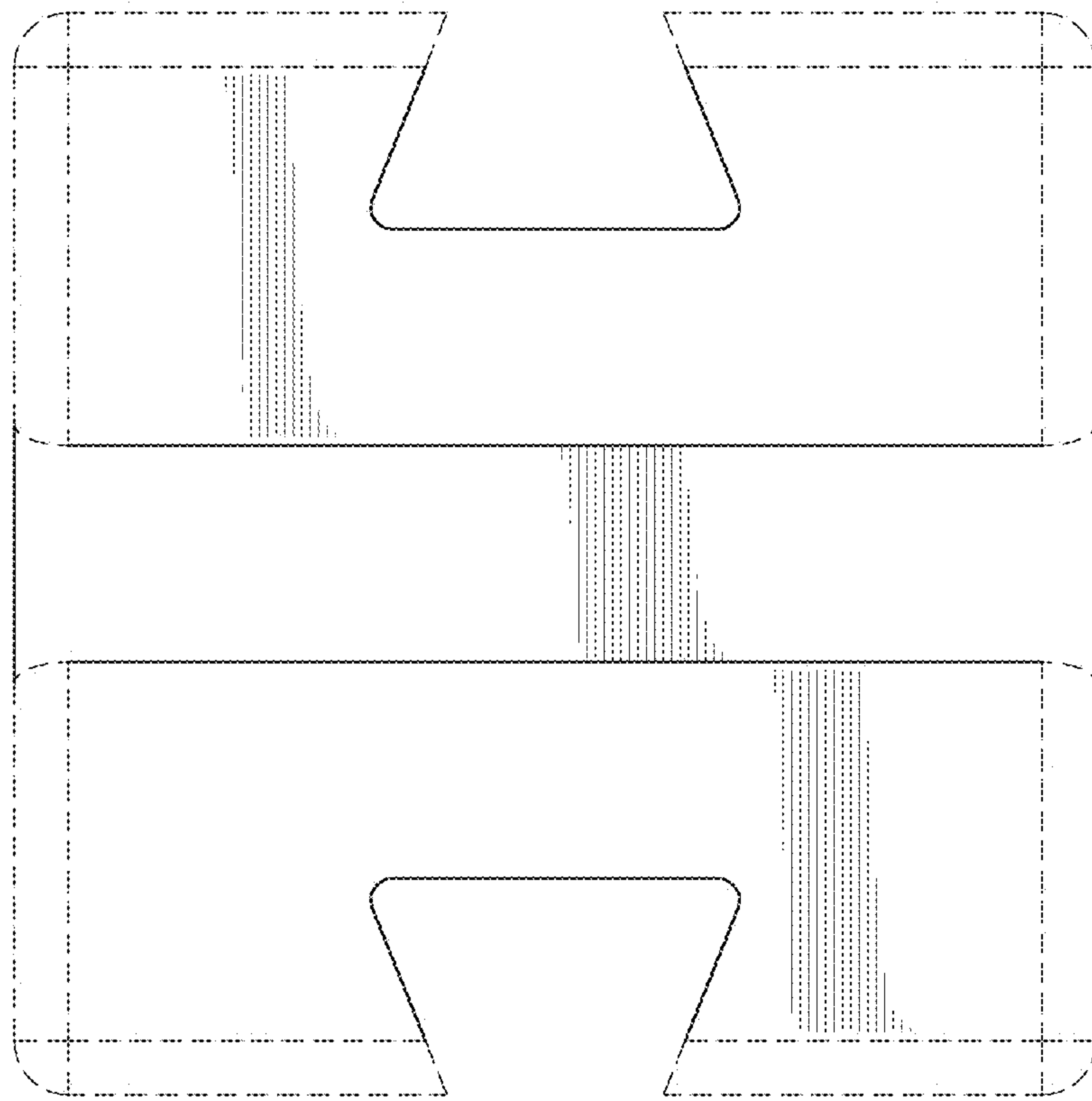


FIG. 4

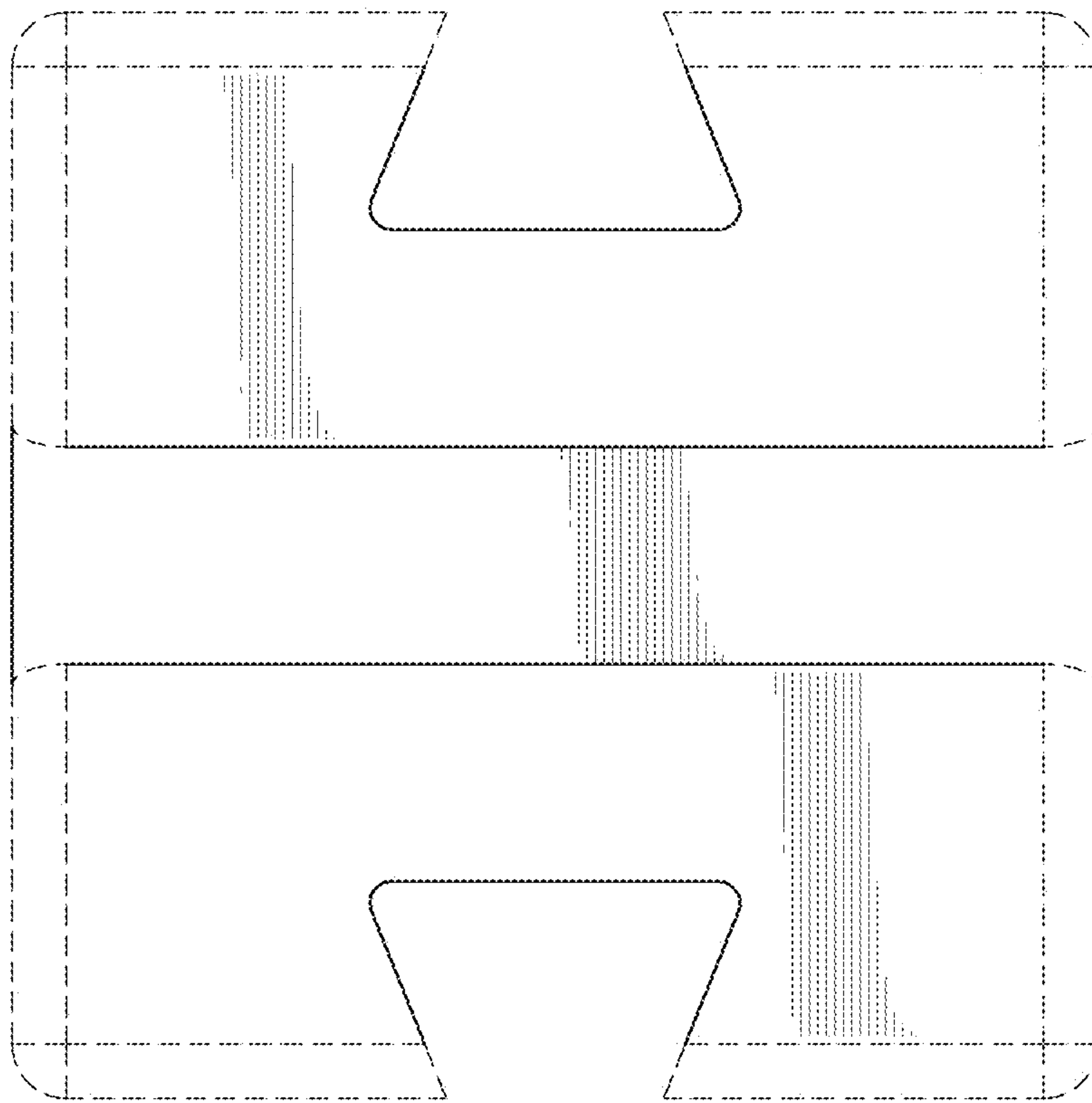


FIG. 5

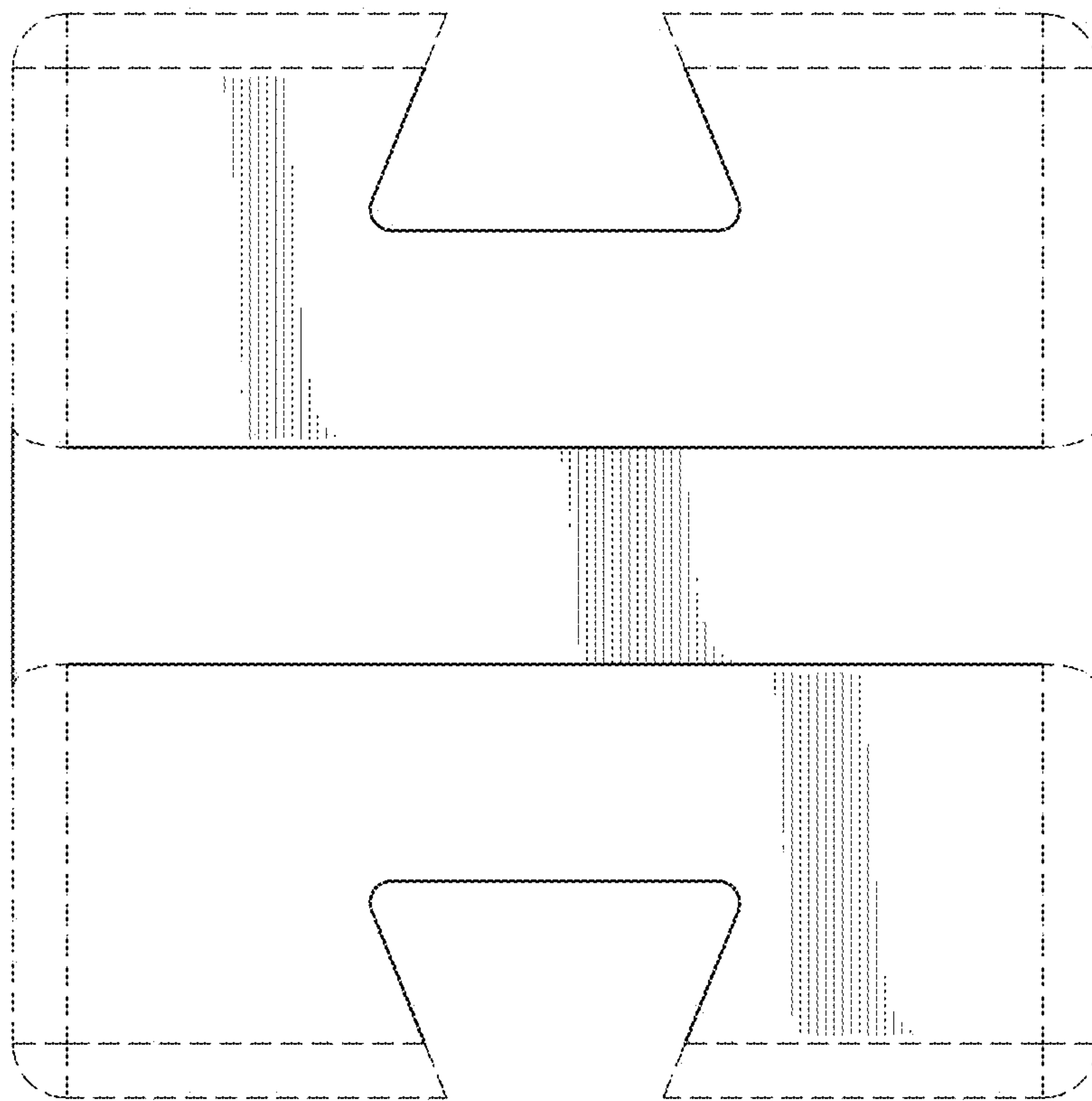


FIG. 6

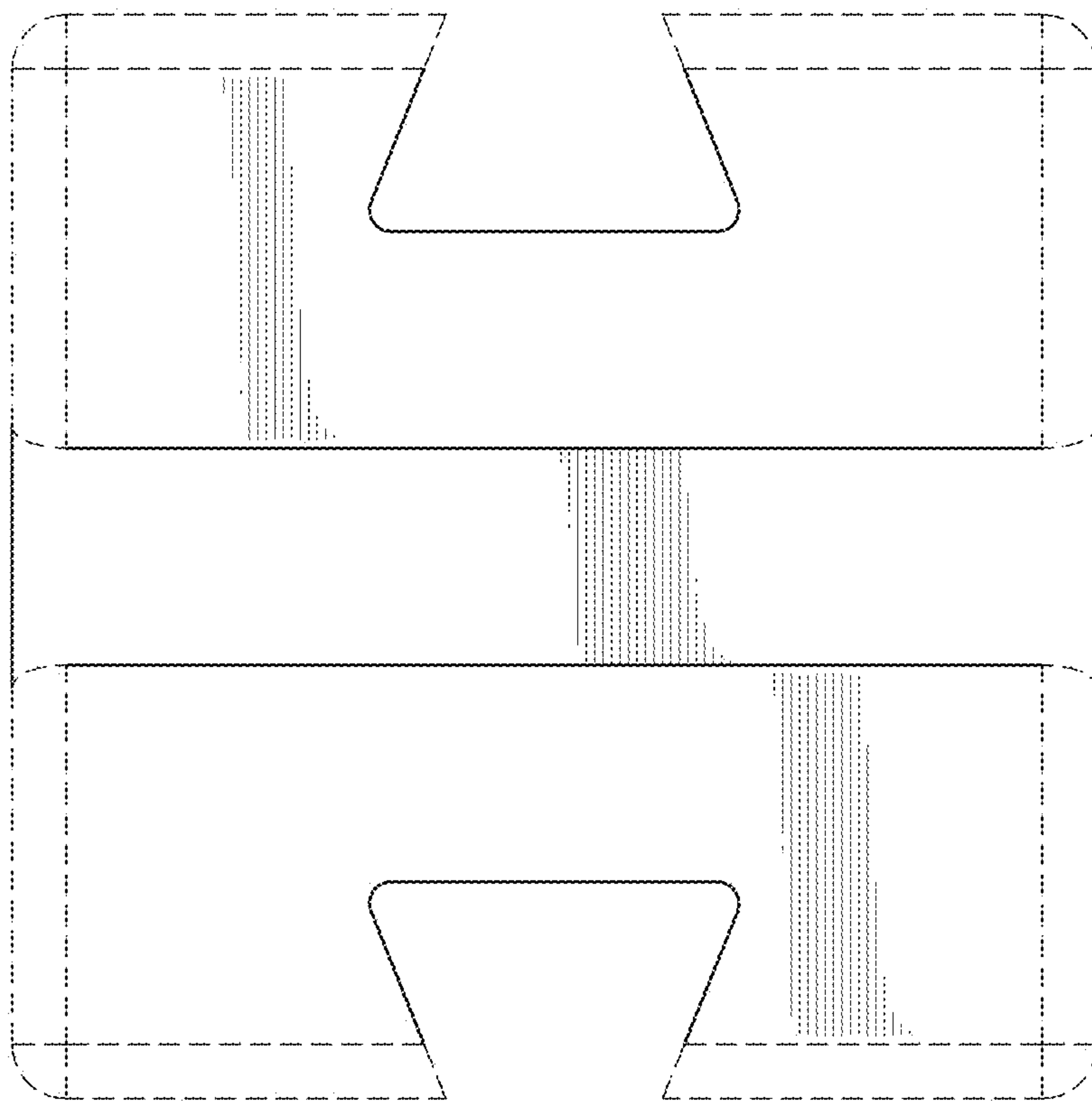


FIG.7

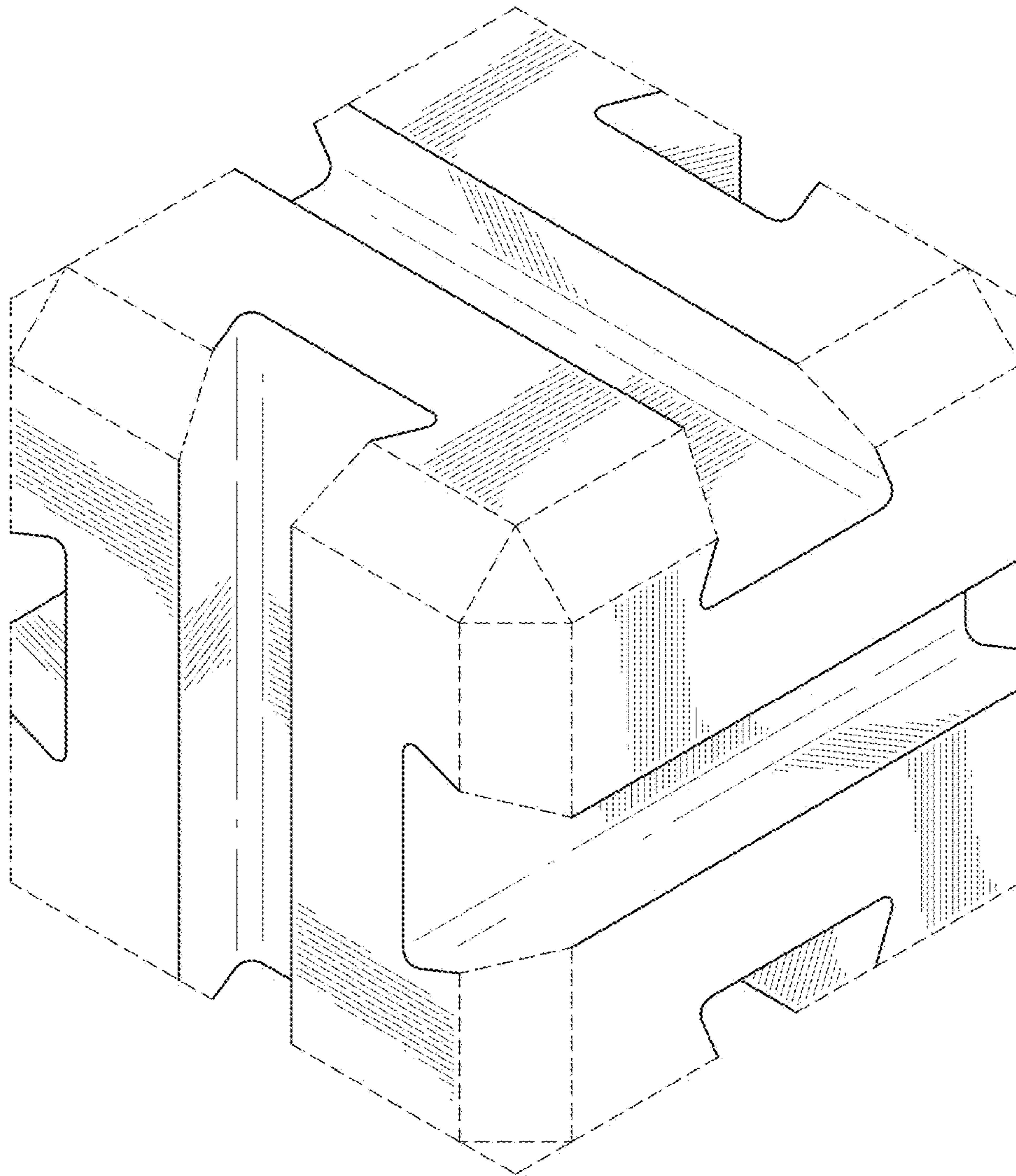


FIG.8

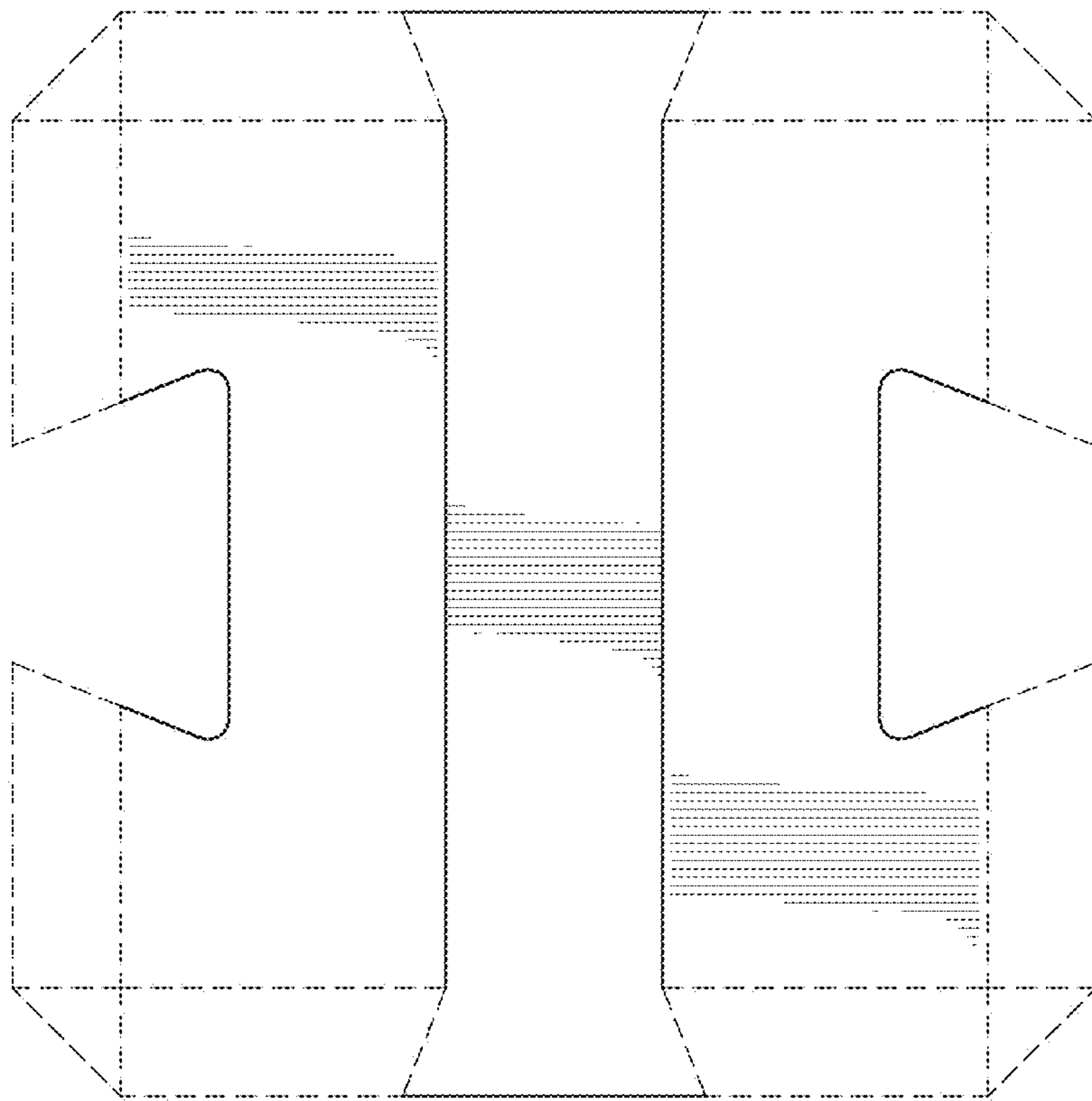


FIG. 9

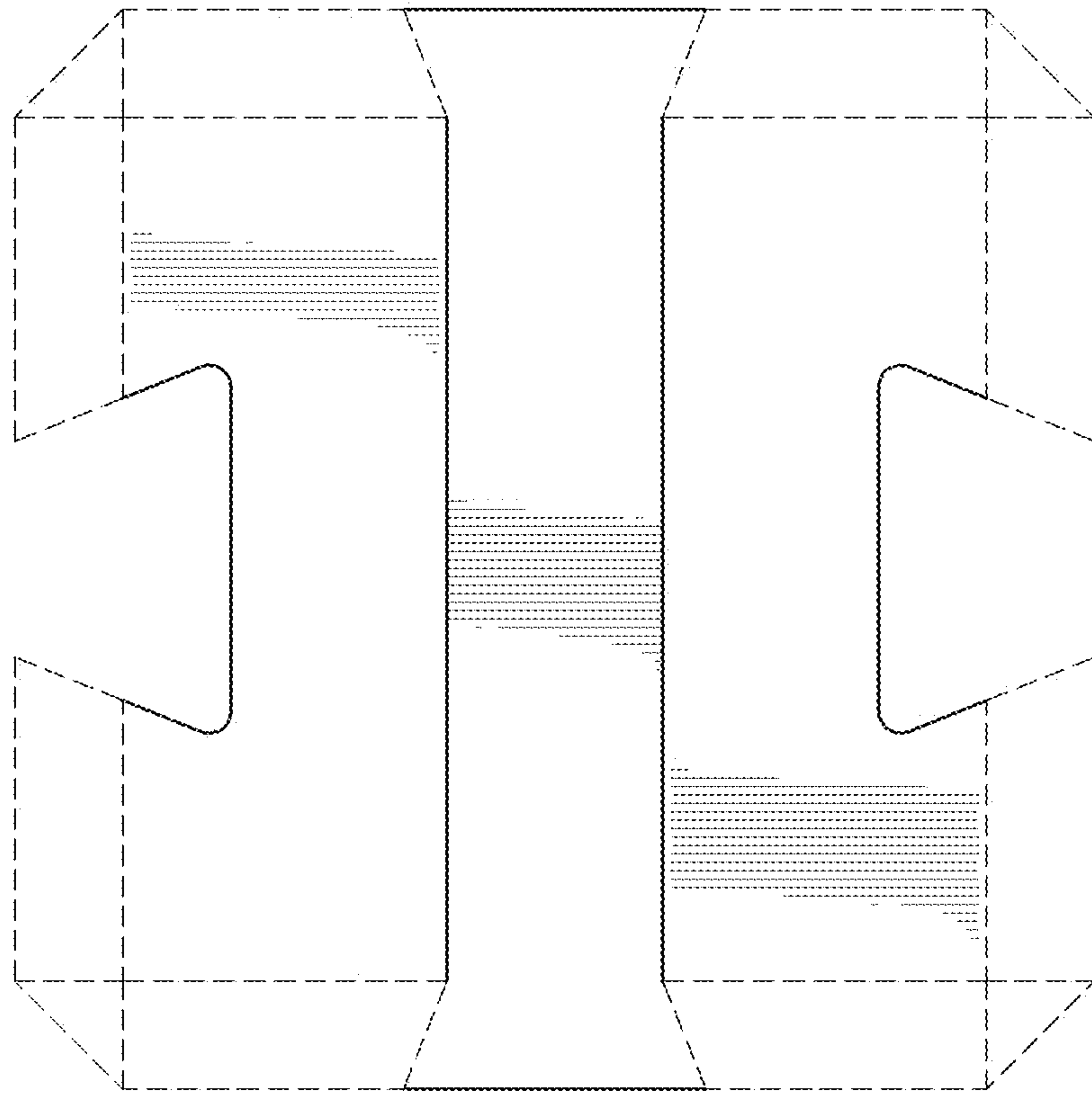


FIG. 10

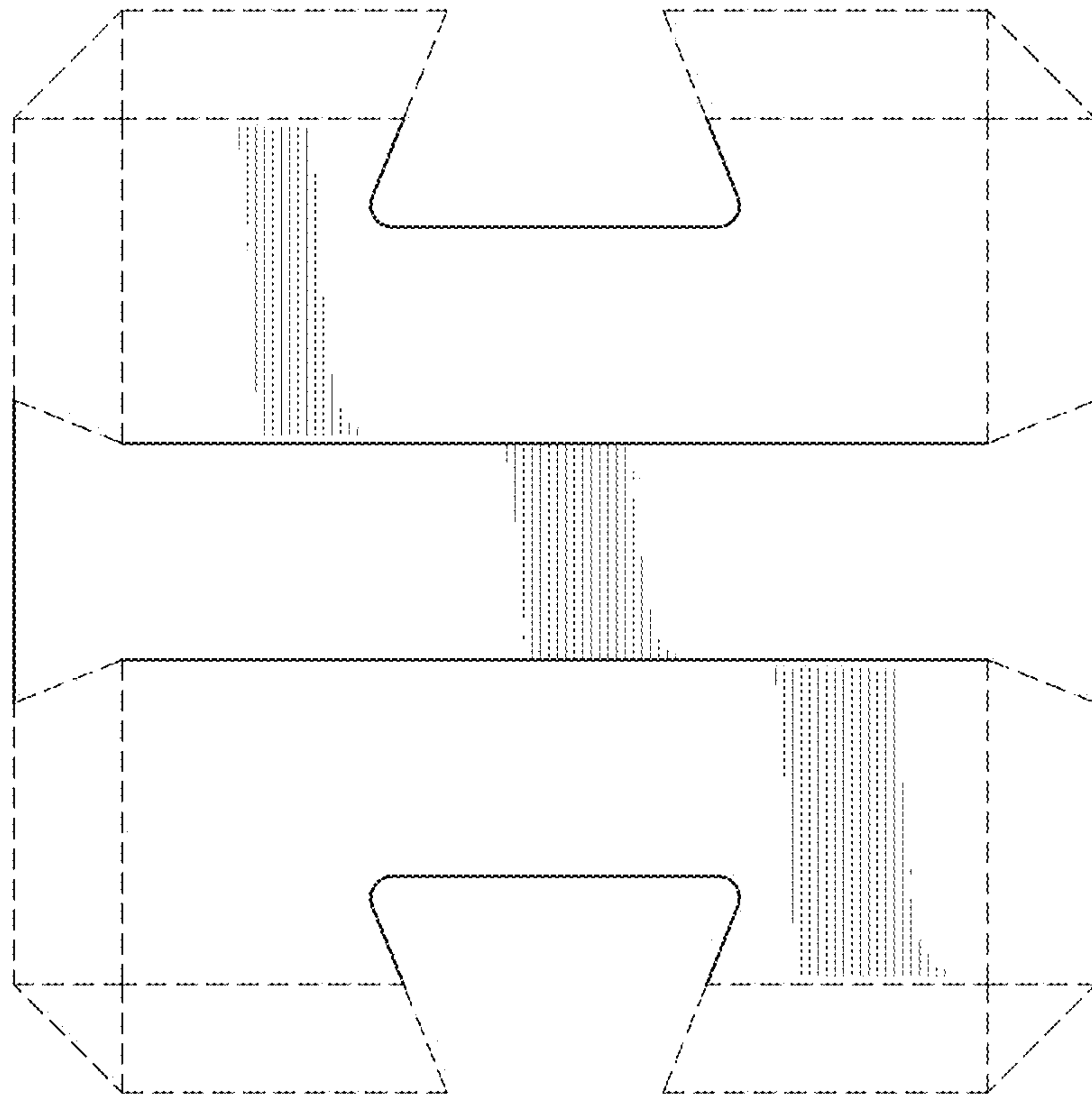


FIG.11

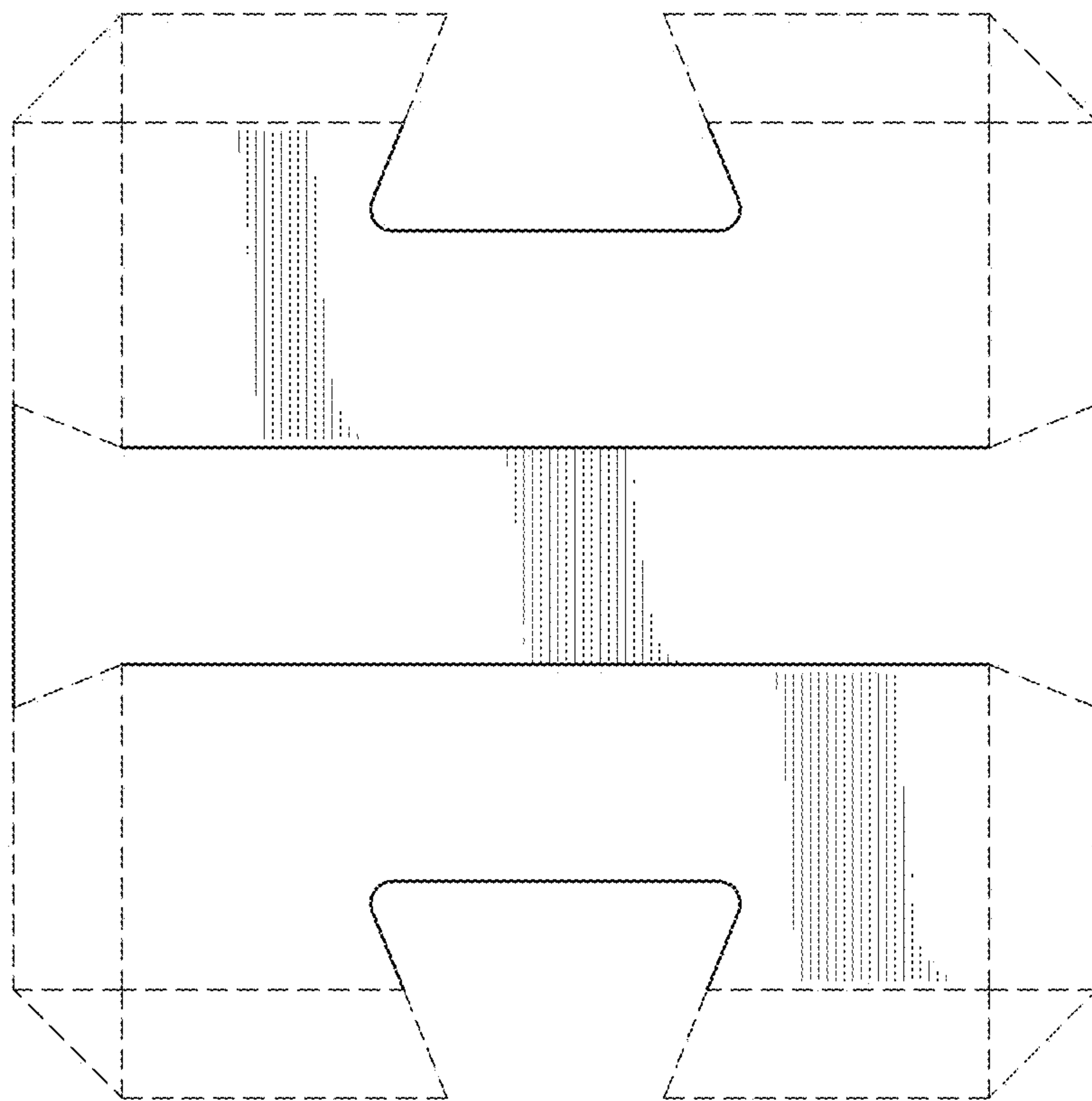


FIG.12

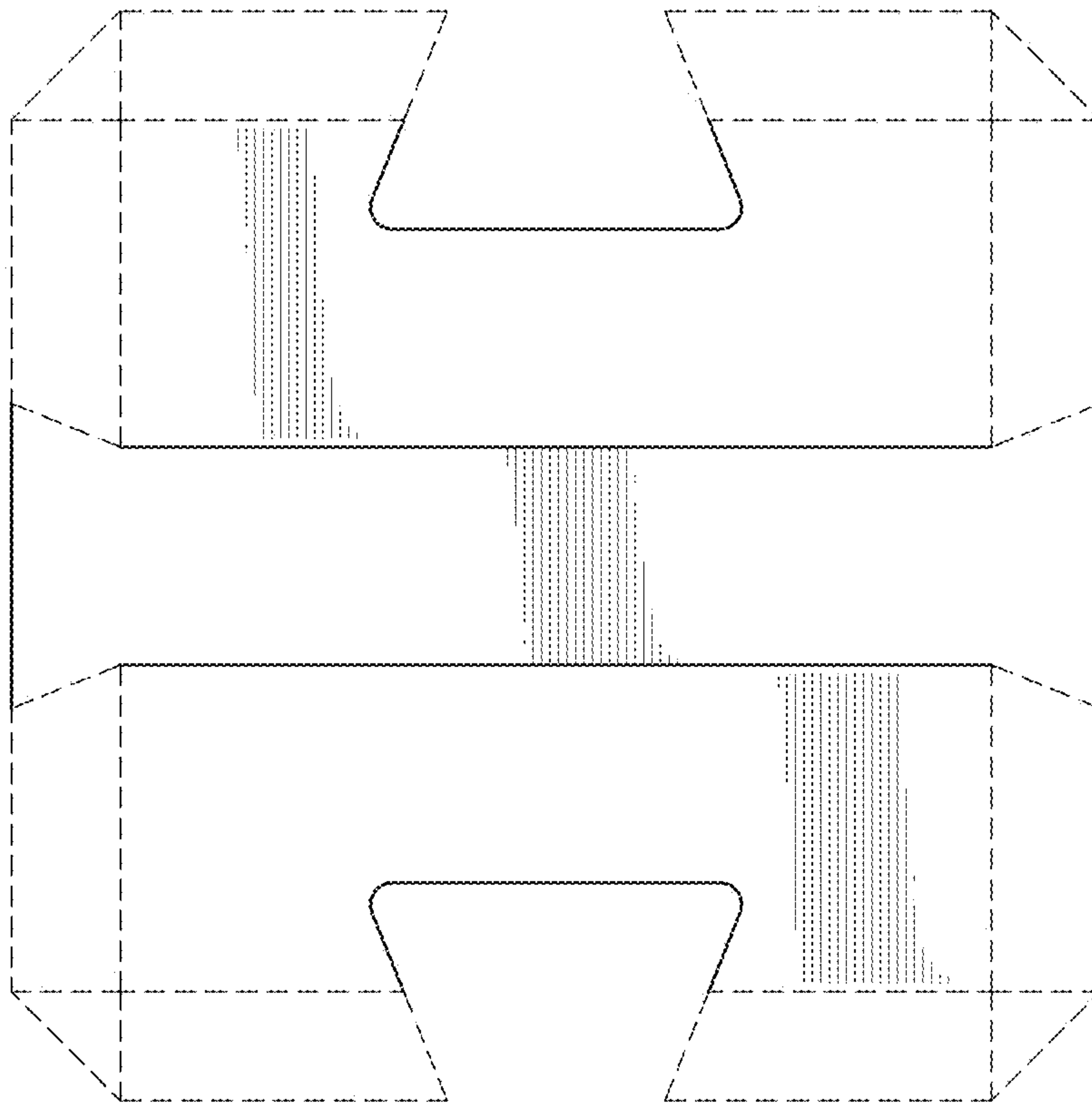


FIG. 13

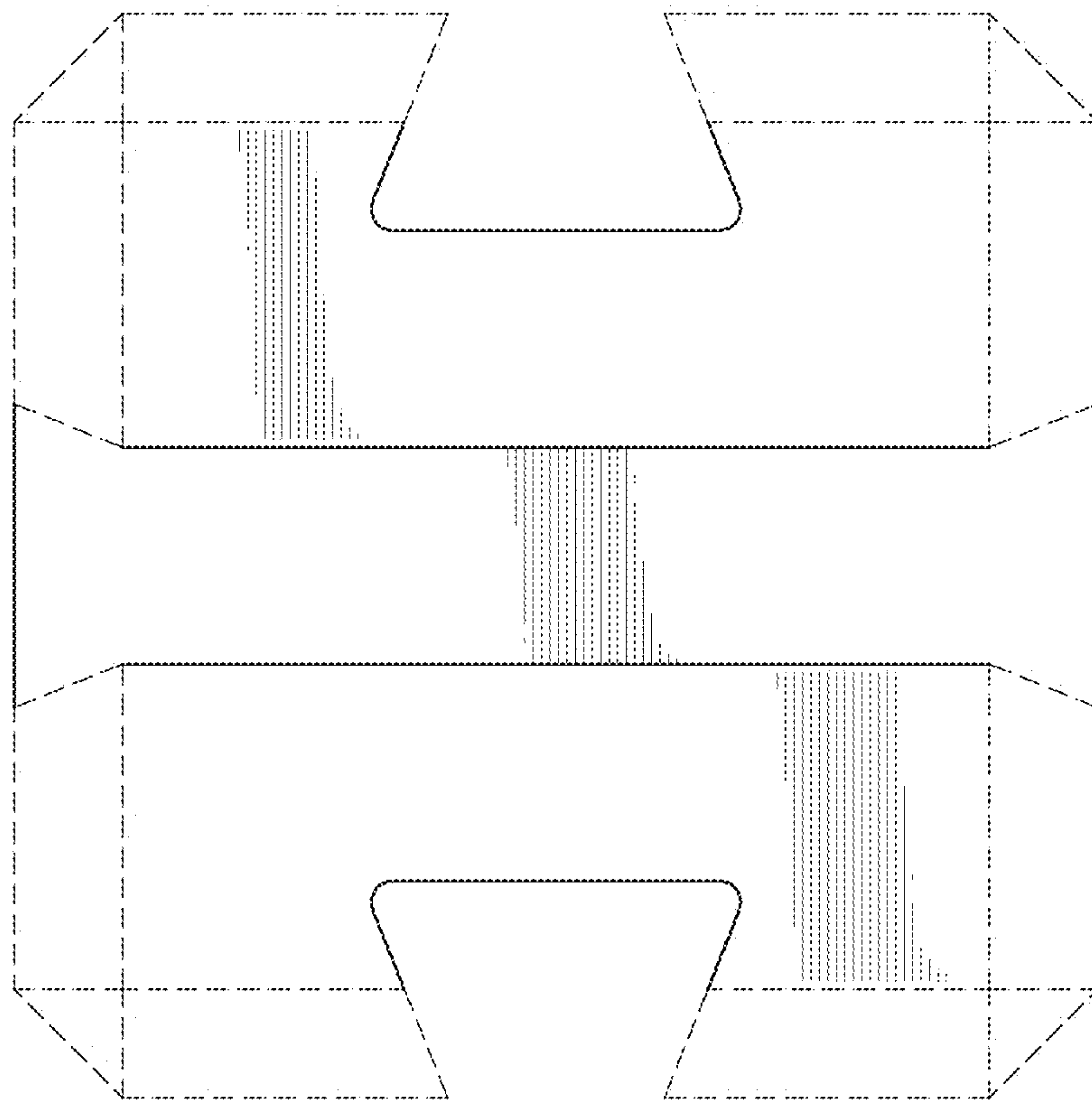


FIG.14

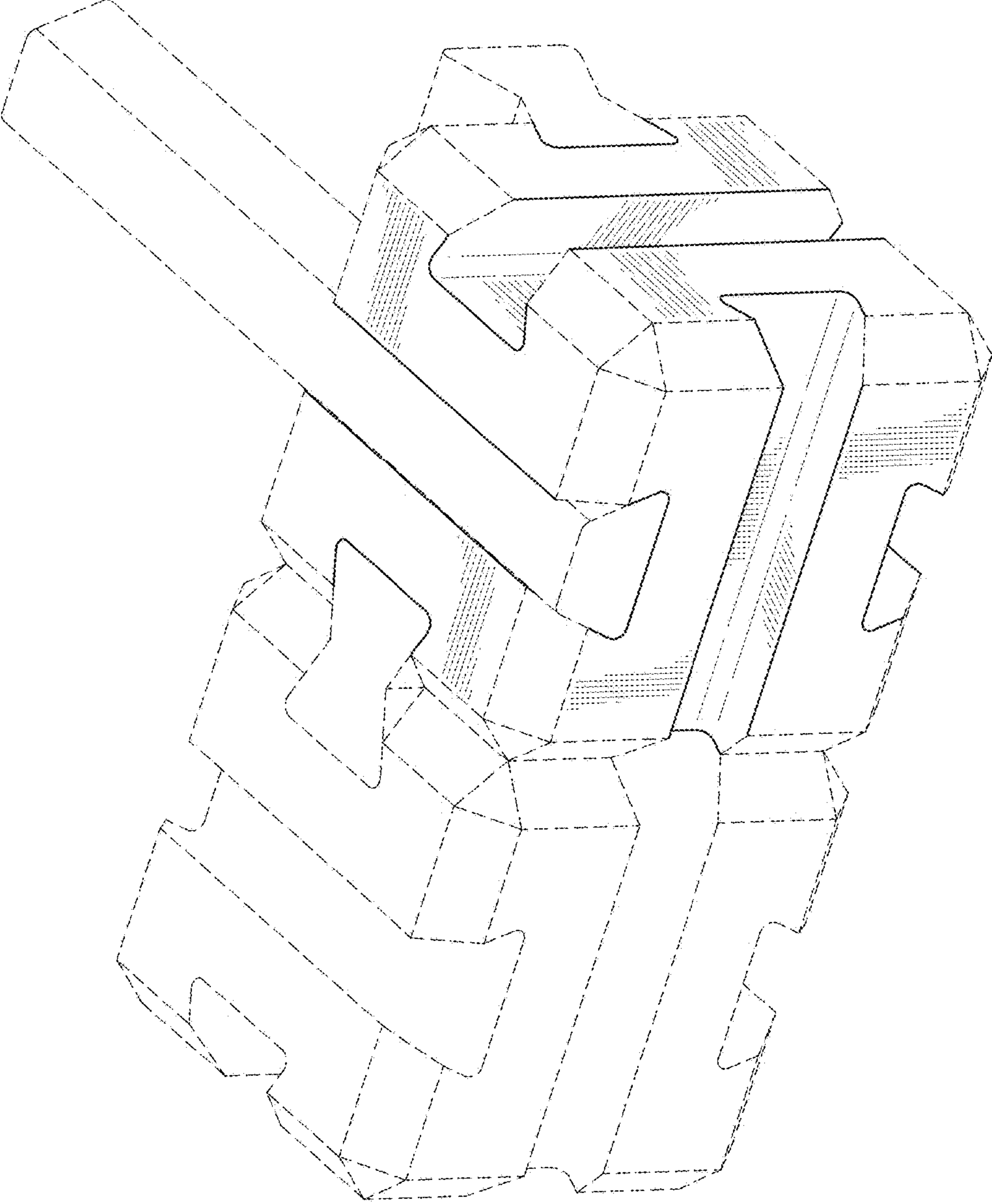


FIG.15