



US00D836161S

(12) **United States Design Patent** (10) **Patent No.:** **US D836,161 S**  
**Eto** (45) **Date of Patent:** **\*\* Dec. 18, 2018**

(54) **TONER CARTRIDGE**  
(71) Applicant: **KYOCERA DOCUMENTS SOLUTIONS INC.**, Osaka (JP)  
(72) Inventor: **Daisuke Eto**, Osaka (JP)  
(73) Assignee: **KYOCERA DOCUMENT SOLUTIONS INC.**, Osaka (JP)

(\*\*) Term: **15 Years**  
(21) Appl. No.: **29/576,624**

(22) Filed: **Sep. 6, 2016**  
(51) **LOC (11) Cl.** ..... **16-03**  
(52) **U.S. Cl.**  
USPC ..... **D18/43**  
(58) **Field of Classification Search**  
USPC ..... D14/471, 483, 484; D18/12, 18, 36, 40,  
D18/43, 44, 56, 58, 99  
CPC . B41J 2/17; B41J 2/1721; B41J 2/1572; B41J  
2/1754; B41J 2/17503; B41J 2/17553;  
B41J 2/17556; B41J 2/16547  
See application file for complete search history.

(56) **References Cited**  
U.S. PATENT DOCUMENTS  
D379,829 S \* 6/1997 Hayashi ..... D18/43  
D410,947 S \* 6/1999 Schwamkrug ..... D18/43  
D442,214 S \* 5/2001 Hayashi ..... D18/43  
D442,624 S \* 5/2001 Maeshima ..... D18/43  
D450,080 S \* 11/2001 Ashikari ..... D18/40

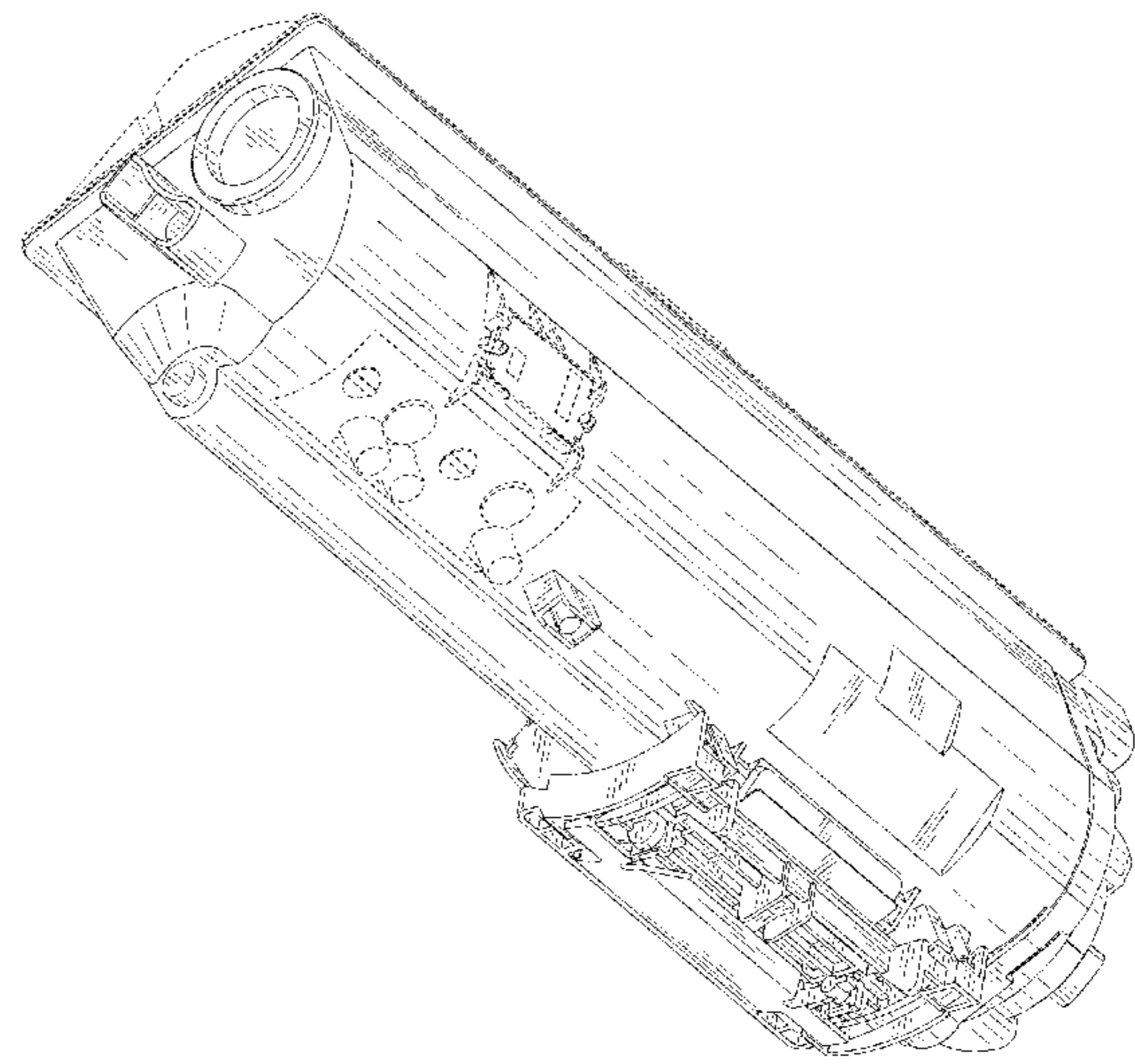
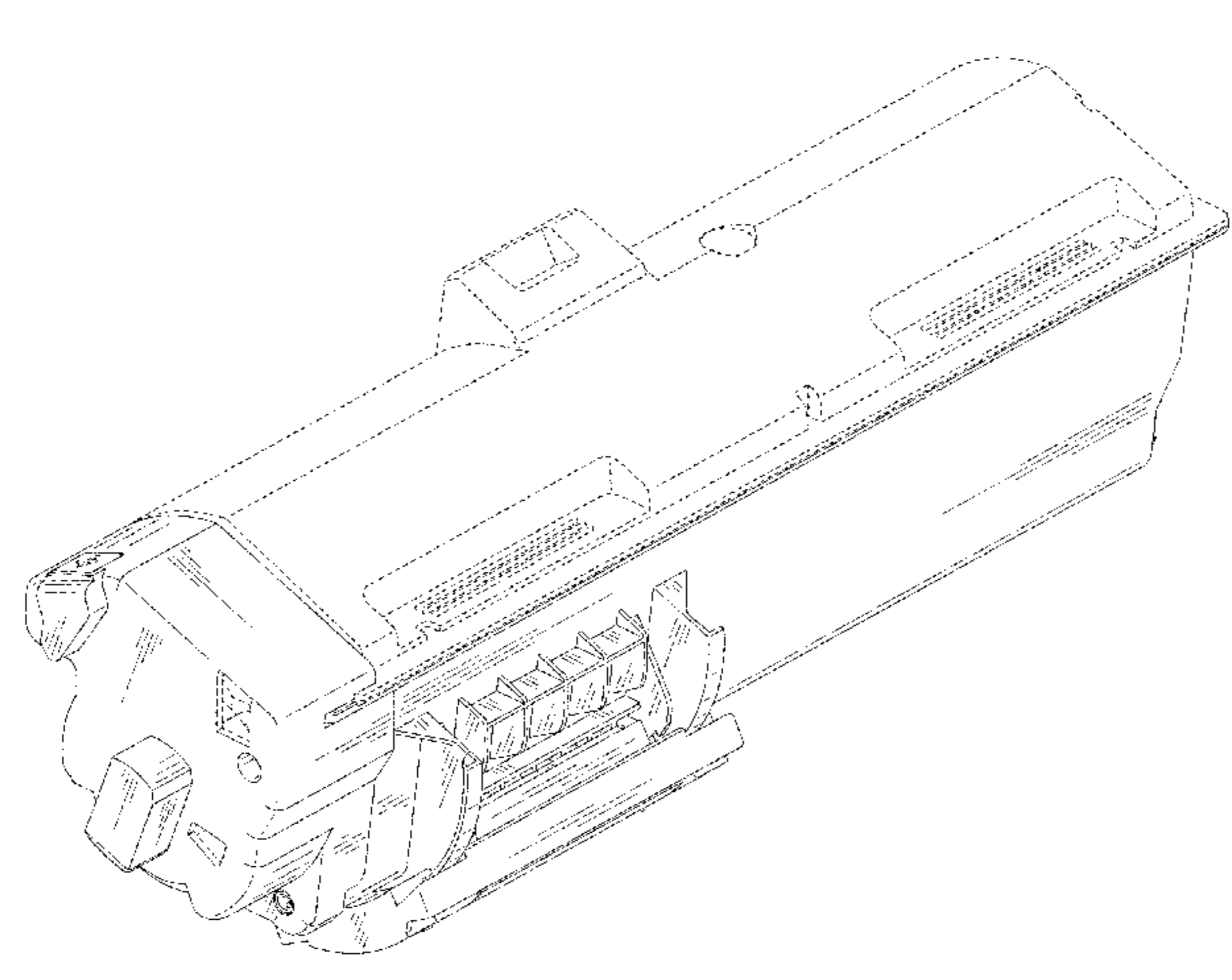
D502,730 S \* 3/2005 Miyagawa ..... D18/40  
D524,848 S \* 7/2006 Murata ..... D18/43  
D524,849 S \* 7/2006 Komai ..... D18/43  
D562,881 S \* 2/2008 Hatanaka ..... D18/43  
D562,882 S \* 2/2008 Hatanaka ..... D18/43  
D653,283 S \* 1/2012 Eto ..... D18/43  
D707,751 S \* 6/2014 Wakimoto ..... D18/43  
D720,396 S \* 12/2014 Torimoto ..... D18/43

\* cited by examiner  
*Primary Examiner* — Kevin K Rudzinski  
*Assistant Examiner* — Richard Kearney  
(74) *Attorney, Agent, or Firm* — Young & Thompson

(57) **CLAIM**  
The ornamental design for a toner cartridge, as shown and described.

**DESCRIPTION**  
FIG. 1 is a front, left side and top perspective view of a toner cartridge, showing my new design;  
FIG. 2 is a rear, right side and bottom perspective view thereof;  
FIG. 3 is a front view thereof;  
FIG. 4 is a rear view thereof;  
FIG. 5 is a top view thereof;  
FIG. 6 is a bottom view thereof;  
FIG. 7 is a left side view thereof; and,  
FIG. 8 is a right side view thereof.  
The broken lines shown in the drawings illustrate portions of the toner cartridge that form no part of the claimed design.

**1 Claim, 7 Drawing Sheets**



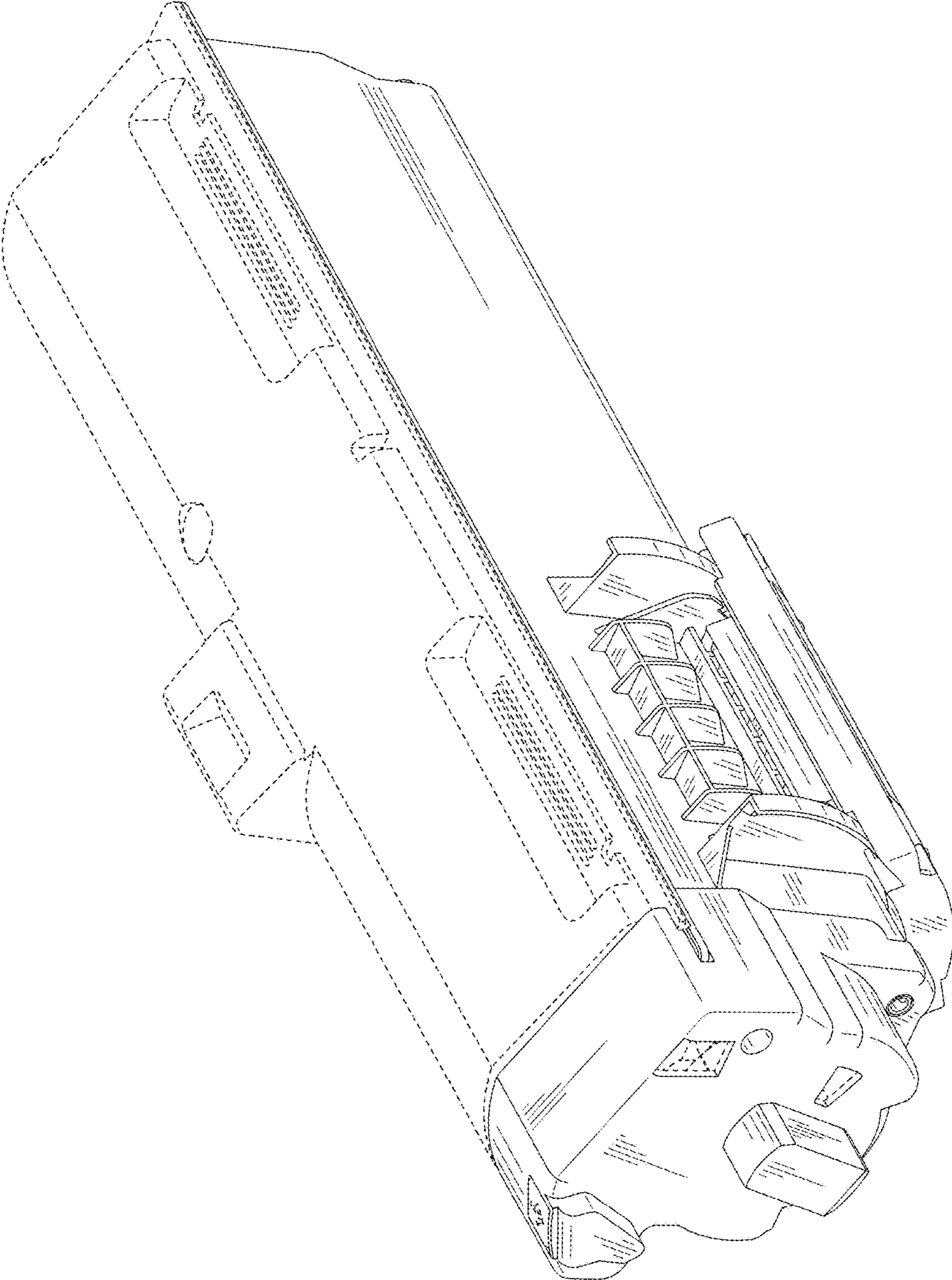


FIG. 1

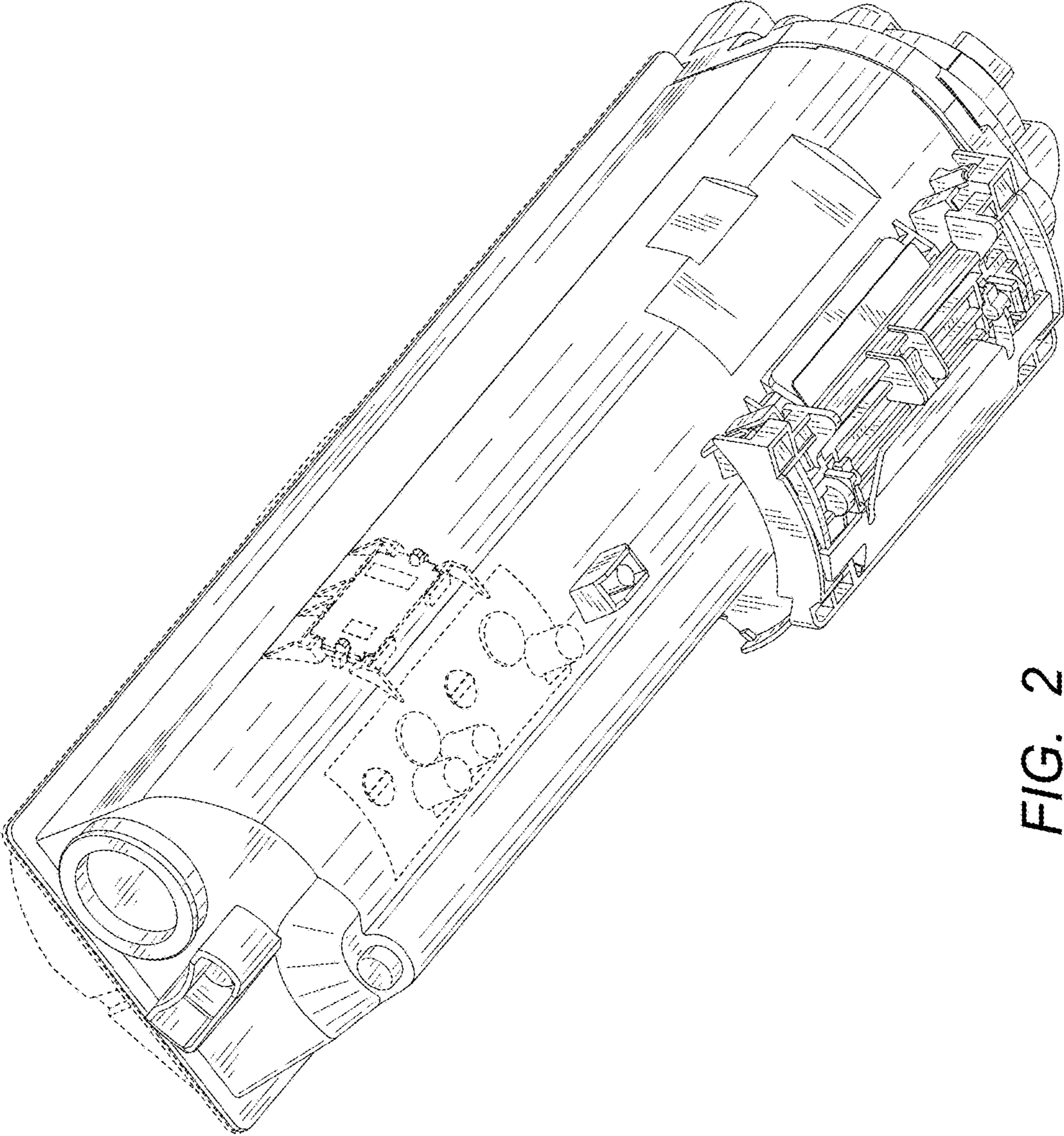


FIG. 2

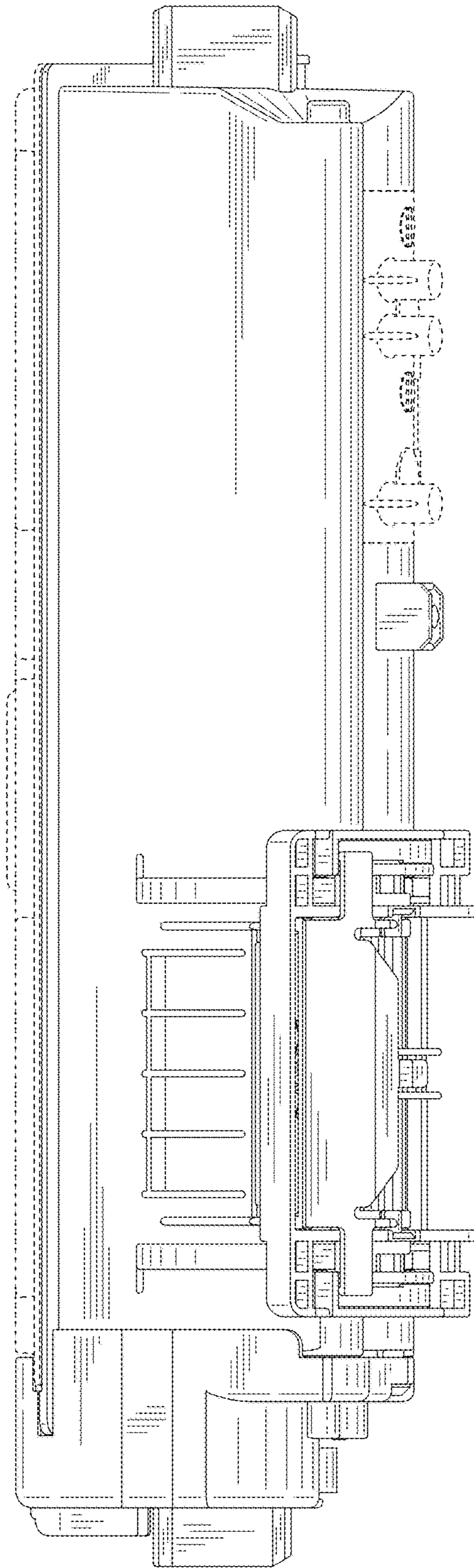


FIG. 3

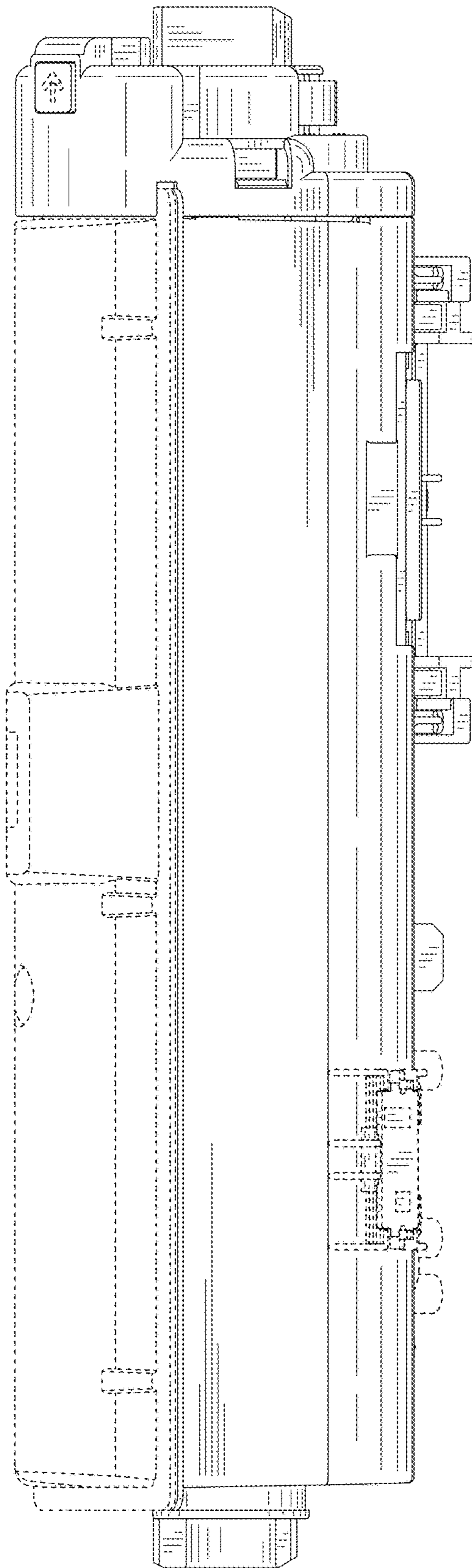


FIG. 4

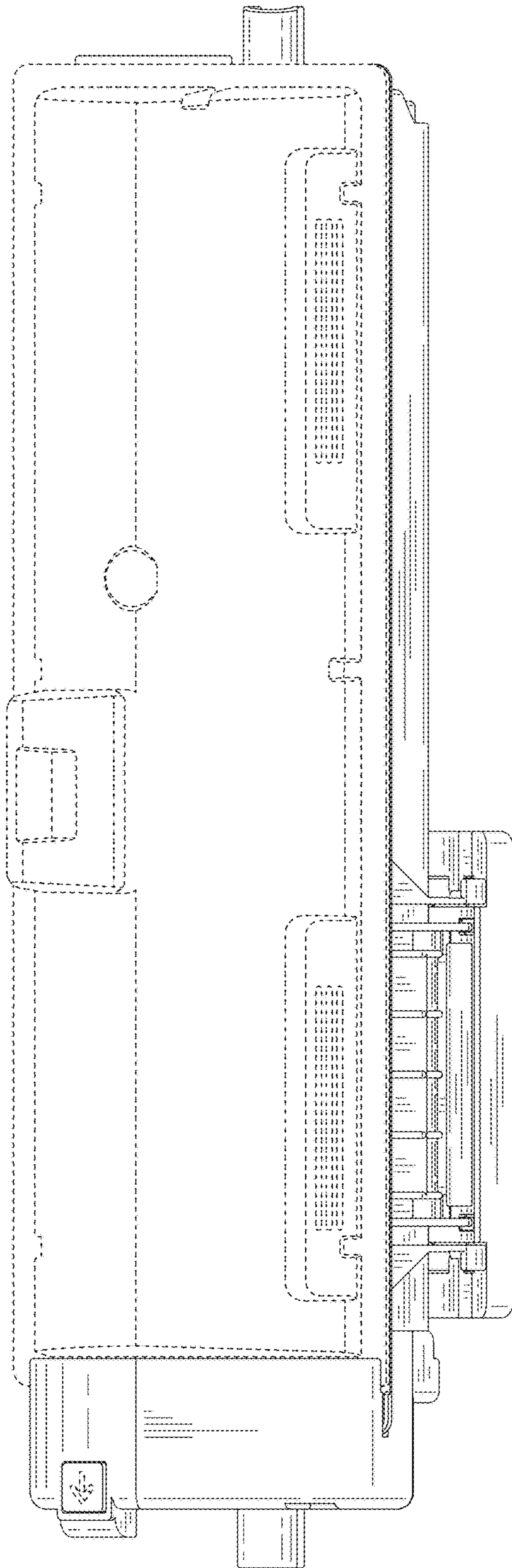


FIG. 5

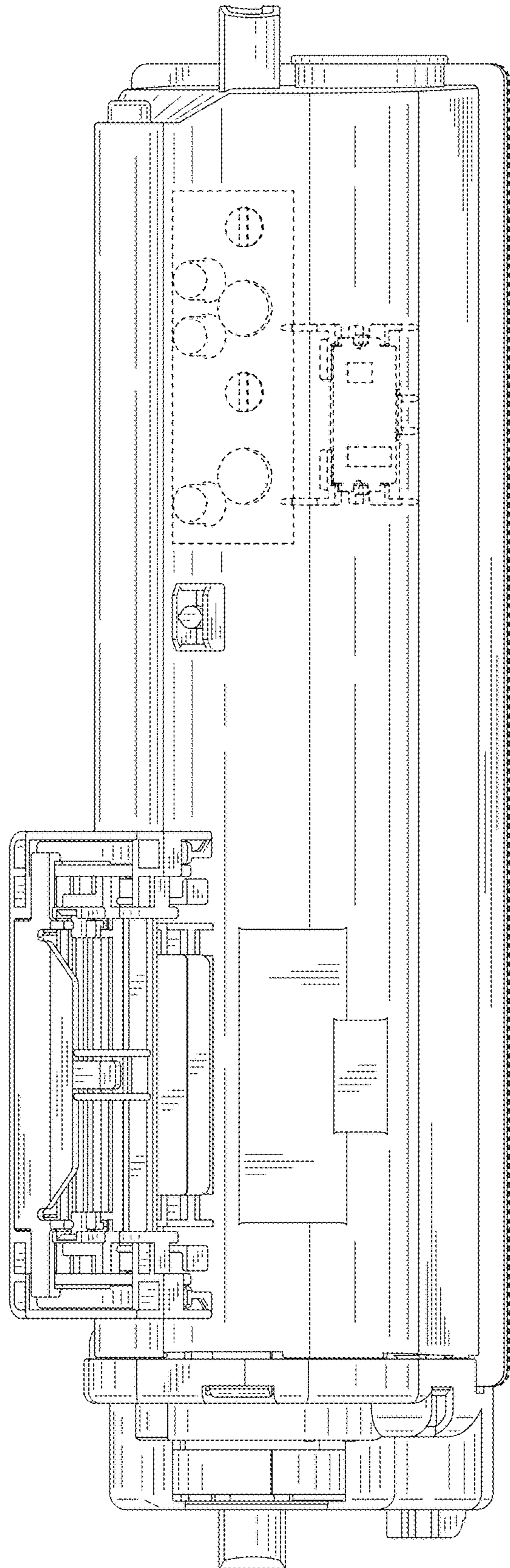


FIG. 6

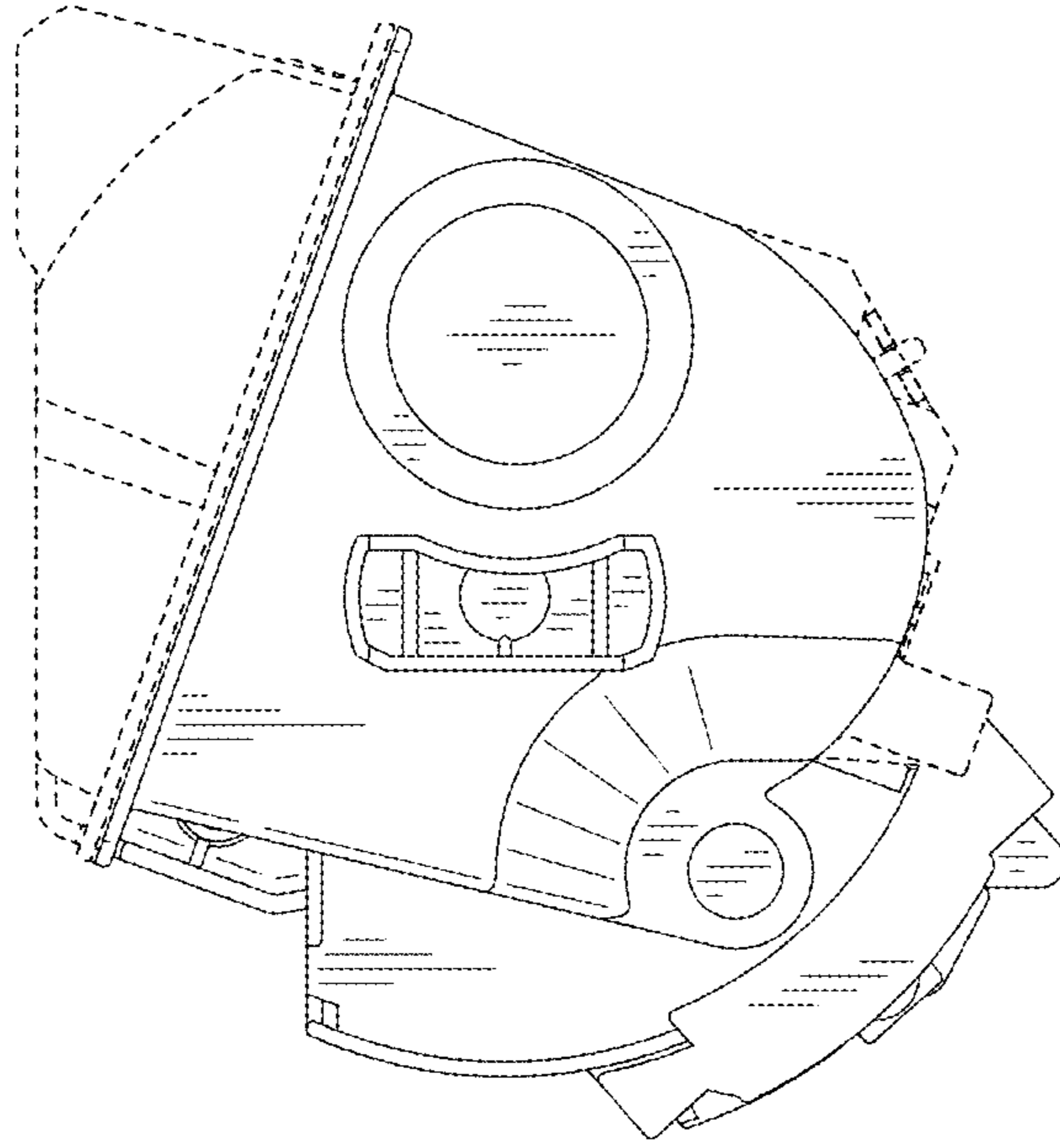


FIG. 8

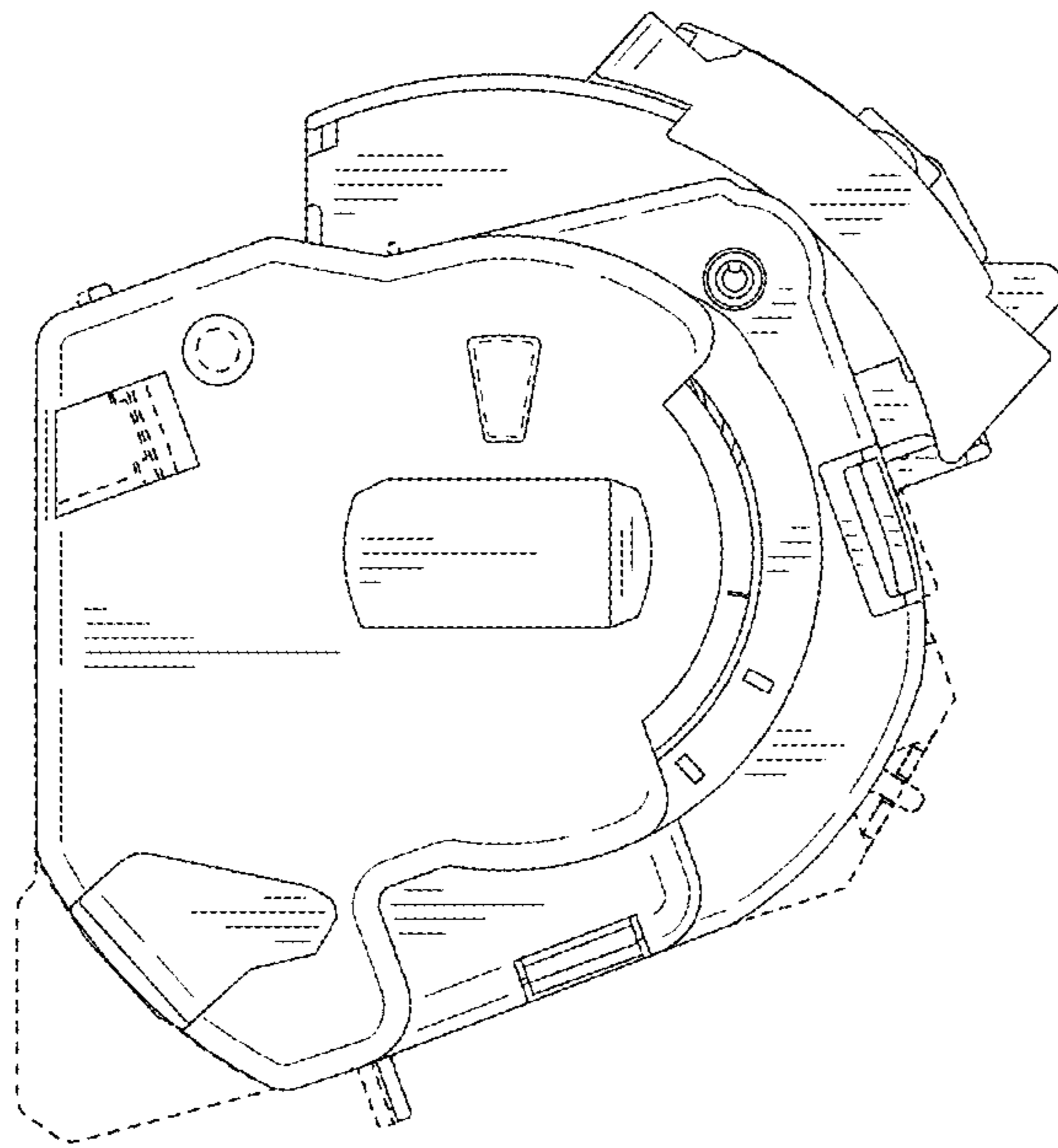


FIG. 7