



US00D836156S

(12) **United States Design Patent**
Moon et al.

(10) **Patent No.:** **US D836,156 S**
(45) **Date of Patent:** **** Dec. 18, 2018**

(54) **STAND FOR CAMERA**
(71) Applicant: **SAMSUNG ELECTRONICS CO., LTD.**, Suwon-si (KR)
(72) Inventors: **Woojung Moon**, Seoul (KR); **Minki Ham**, Seoul (KR)
(73) Assignee: **Samsung Electronics Co., Ltd.**, Suwon-si (KR)

D533,578 S * 12/2006 Oka D16/244
D607,036 S * 12/2009 Darrow D16/242
D706,333 S * 6/2014 Chun D16/244
D718,365 S * 11/2014 Kim D16/244
D739,456 S * 9/2015 Poli D16/244

(Continued)

(**) Term: **15 Years**
(21) Appl. No.: **29/562,449**
(22) Filed: **Apr. 26, 2016**
(30) **Foreign Application Priority Data**

FOREIGN PATENT DOCUMENTS

CN 201330183840.2 11/2013
CN 201430069348.7 8/2014
KR 30-2012-0041287 1/2014

Primary Examiner — Philip S Hyder
Assistant Examiner — Ramzi S Almatrahi
(74) *Attorney, Agent, or Firm* — NSIP Law

Mar. 4, 2016 (KR) 30-2016-0010220

(51) **LOC (11) Cl.** **16-05**
(52) **U.S. Cl.**
USPC **D16/244**

(57) **CLAIM**

We claim the ornamental design for a stand for camera, as shown and described.

(58) **Field of Classification Search**
USPC D16/200, 202–205, 208, 214, 218, 219, D16/235, 237, 242–245; D14/432, 434; 248/176.1, 187.1; 348/143, 148, 151, 348/373–376; 396/419, 427, 535, 396/539–541
CPC G03B 17/02; G03B 19/04; G03B 17/56; G03B 17/04; G03B 15/03; H04N 5/2251; H04N 5/2252; H04N 5/2253; H04N 5/2254; H04N 7/181; H04N 7/183; H04N 7/18; G08B 13/1963; G08B 13/19619; G08B 13/19632

DESCRIPTION

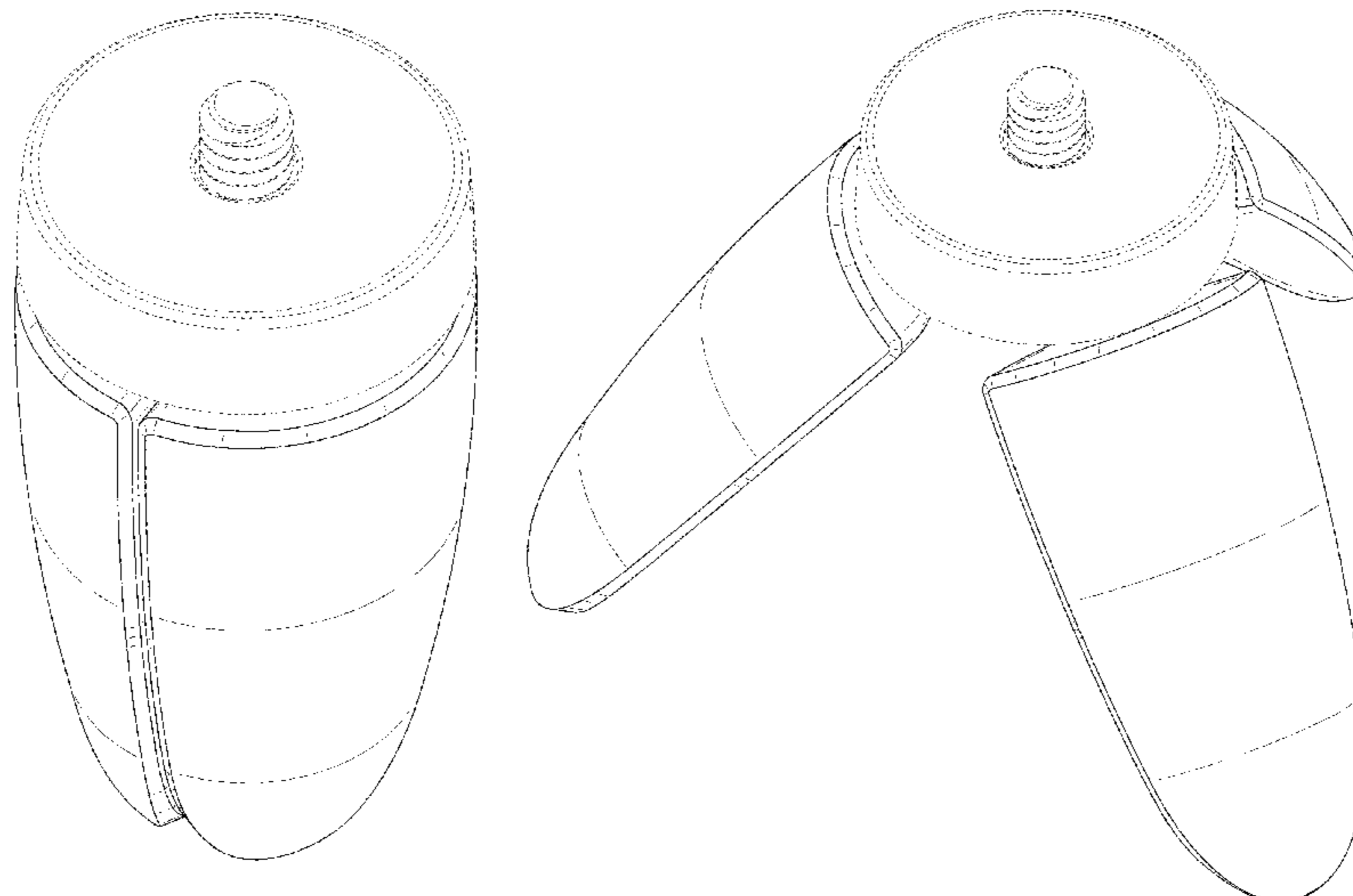
FIG. 1 is a front perspective view of a stand for camera showing our new design;
FIG. 2 is a front view thereof;
FIG. 3 is a rear view thereof;
FIG. 4 is a left-side view thereof;
FIG. 5 is a right-side view thereof;
FIG. 6 is a top view thereof;
FIG. 7 is a bottom view thereof;
FIG. 8 is a front perspective view thereof, shown in an open configuration;
FIG. 9 is a front view of FIG. 8;
FIG. 10 is a rear view of FIG. 8;
FIG. 11 is a left-side view of FIG. 8;
FIG. 12 is a right-side view of FIG. 8;
FIG. 13 is a top view of FIG. 8; and,
FIG. 14 is a bottom view of FIG. 8.
The broken lines depict portions of the stand for camera in which the design is embodied that form no part of the claimed design.

See application file for complete search history.

(56) **References Cited**
U.S. PATENT DOCUMENTS

D505,442 S * 5/2005 Murray D16/244
D532,436 S * 11/2006 Kruse D16/244

1 Claim, 11 Drawing Sheets



(56)

References Cited

U.S. PATENT DOCUMENTS

D778,975 S * 2/2017 Minn D16/242
D794,699 S * 8/2017 Bin-Nun D16/244

* cited by examiner

FIG. 1

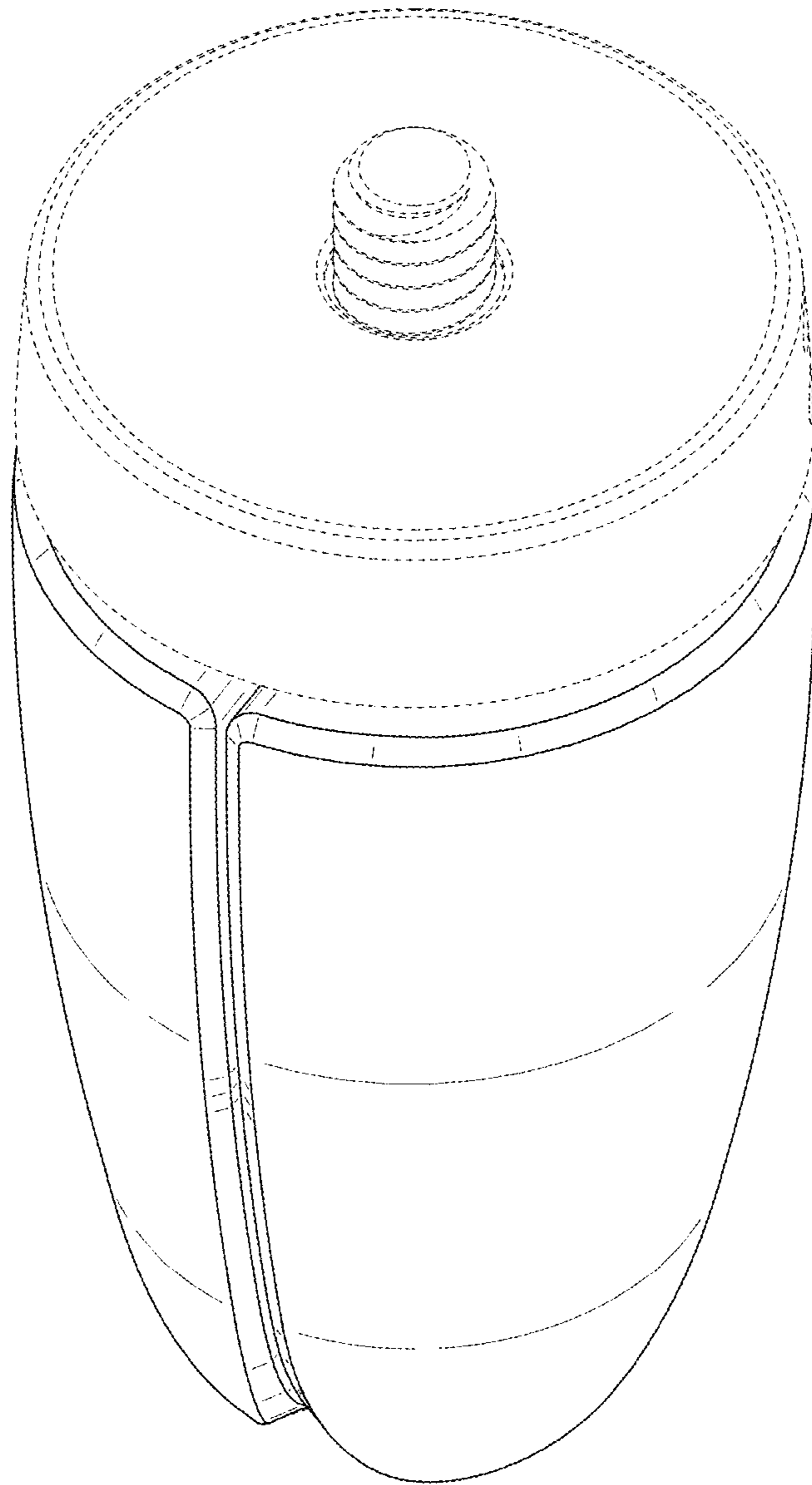


FIG. 2

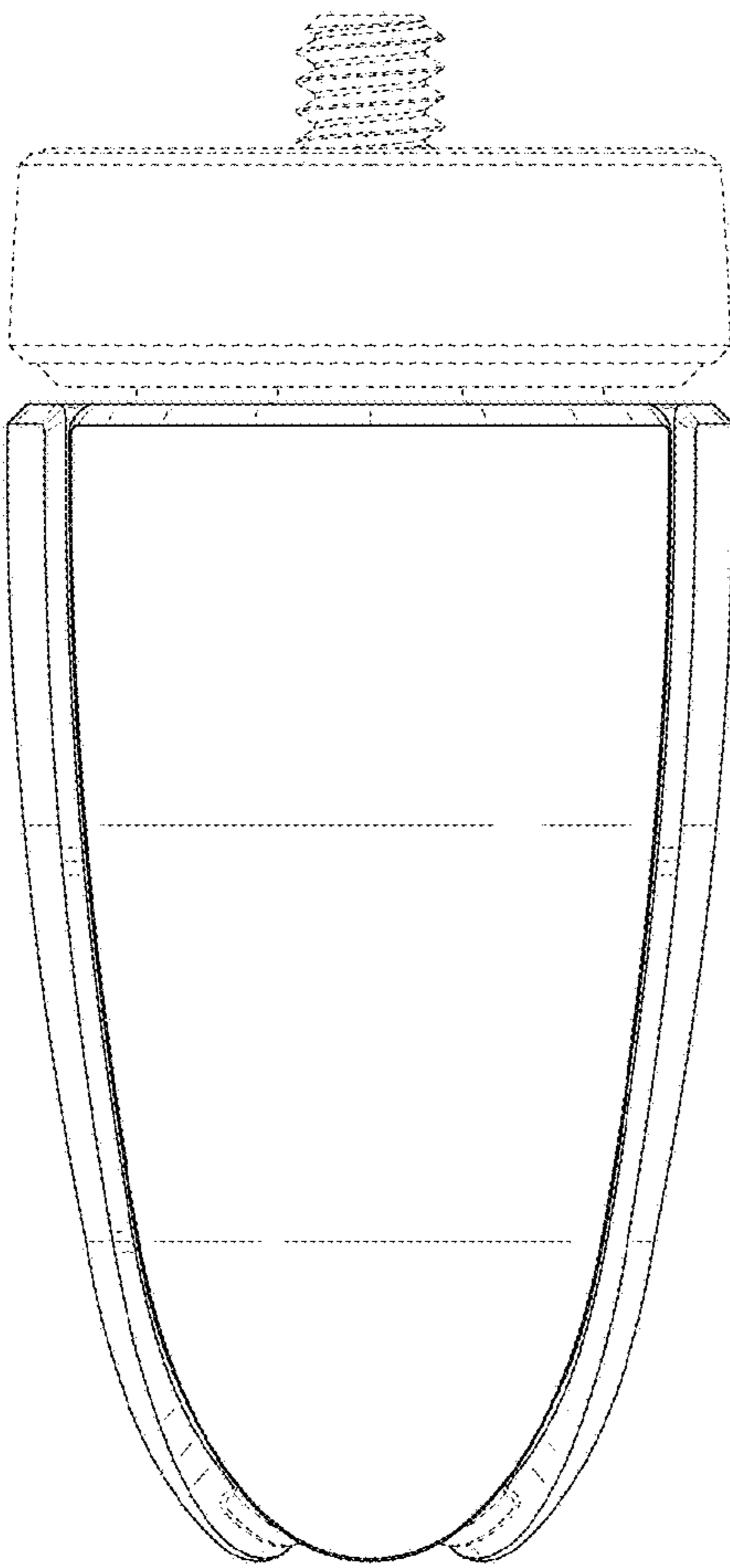


FIG. 3

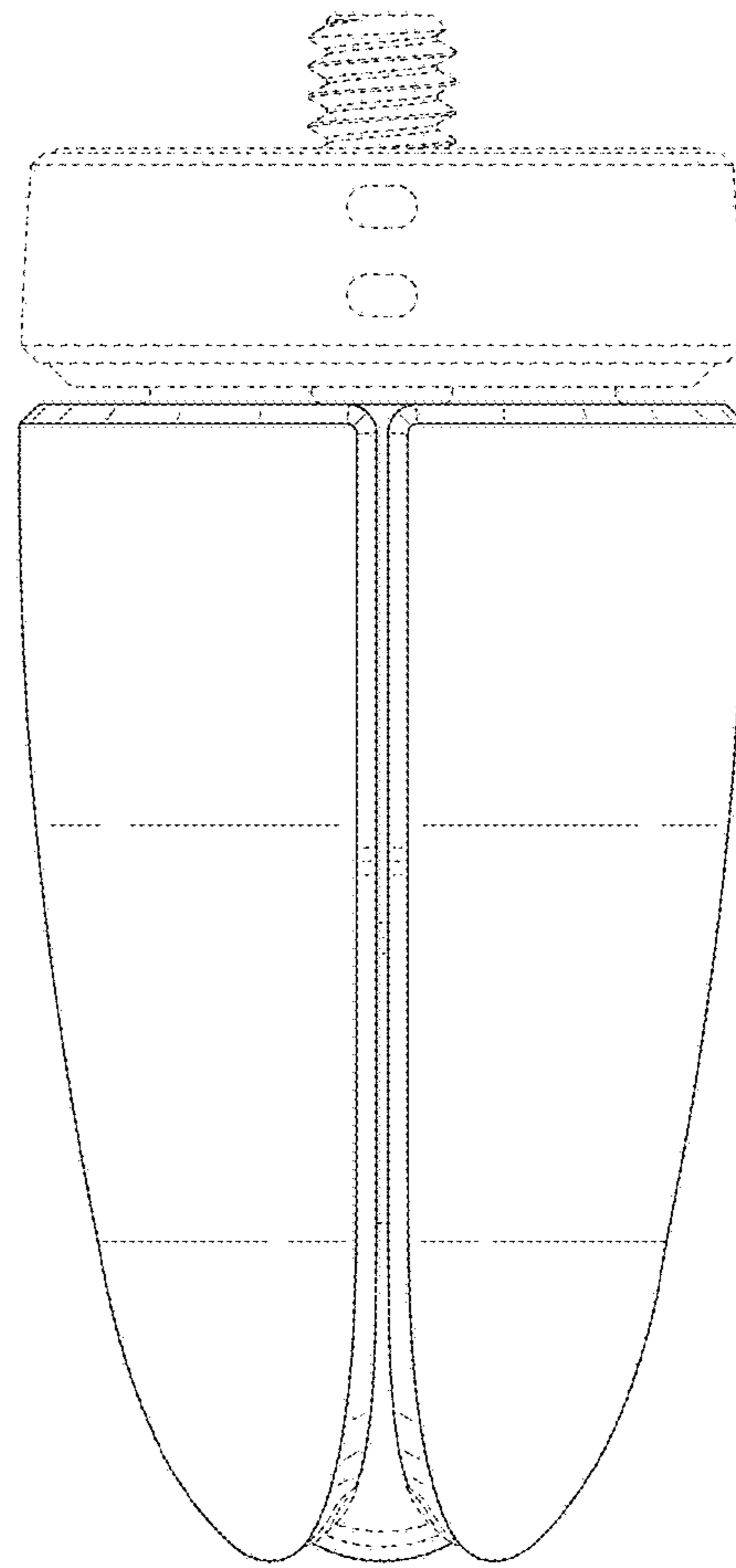


FIG. 4

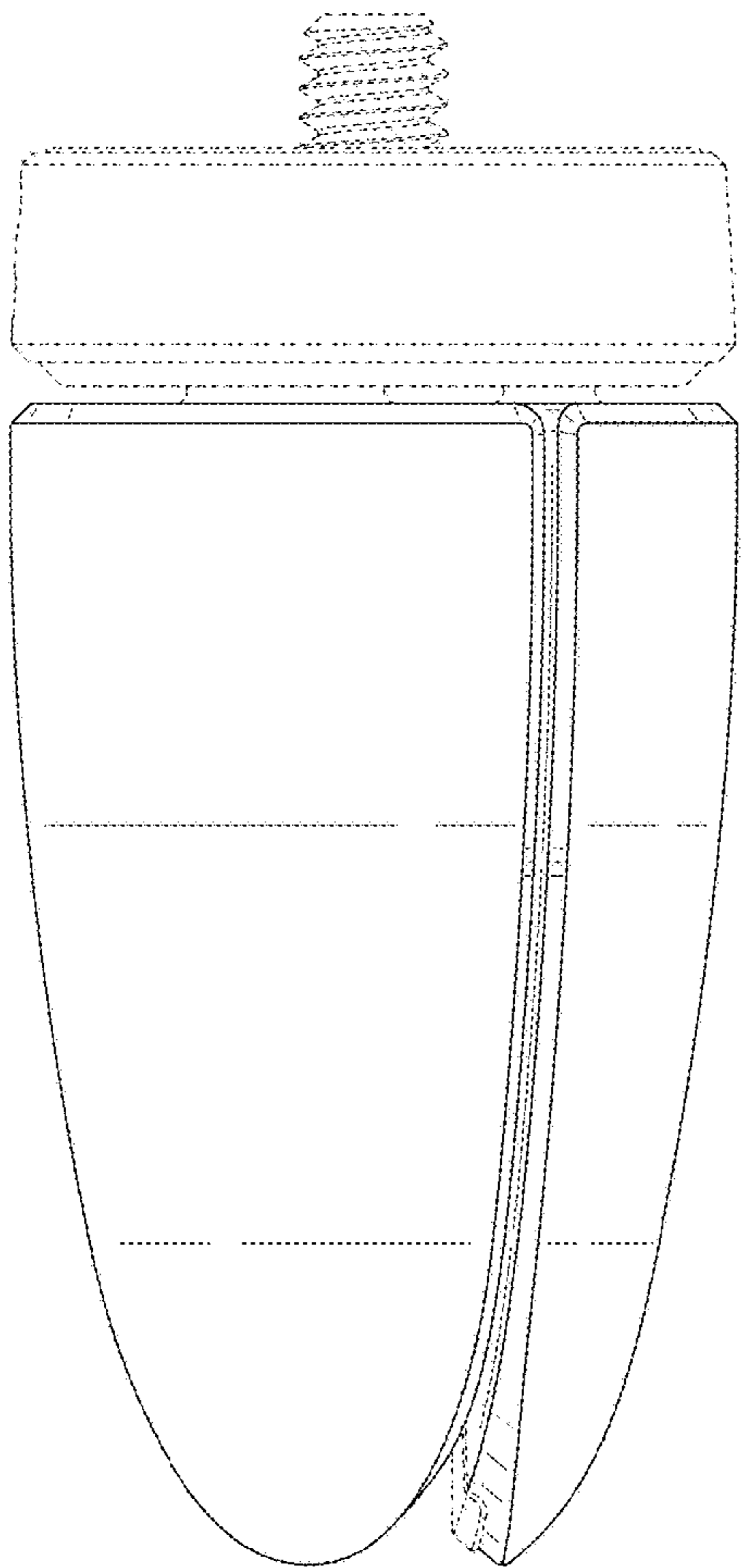


FIG. 5

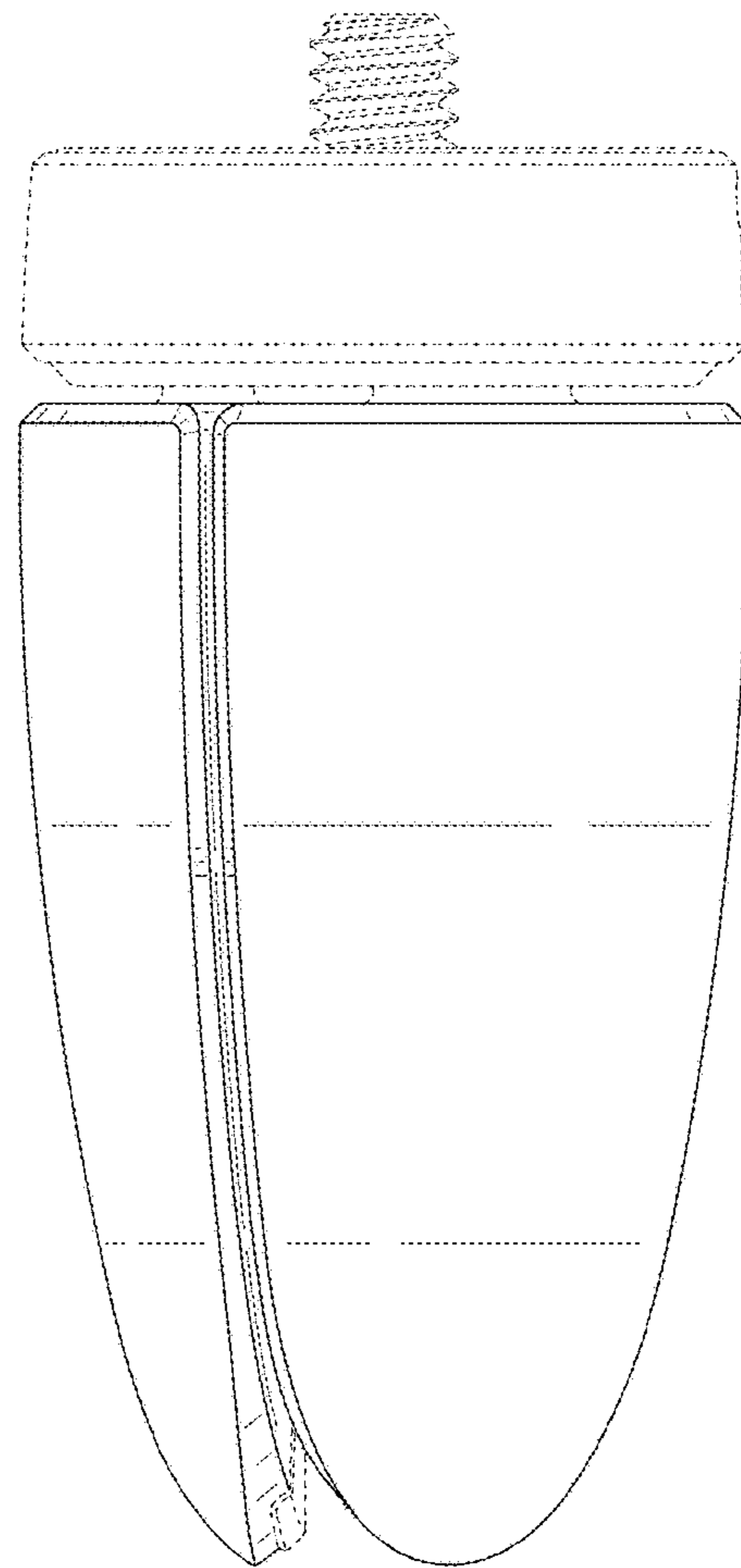


FIG. 6

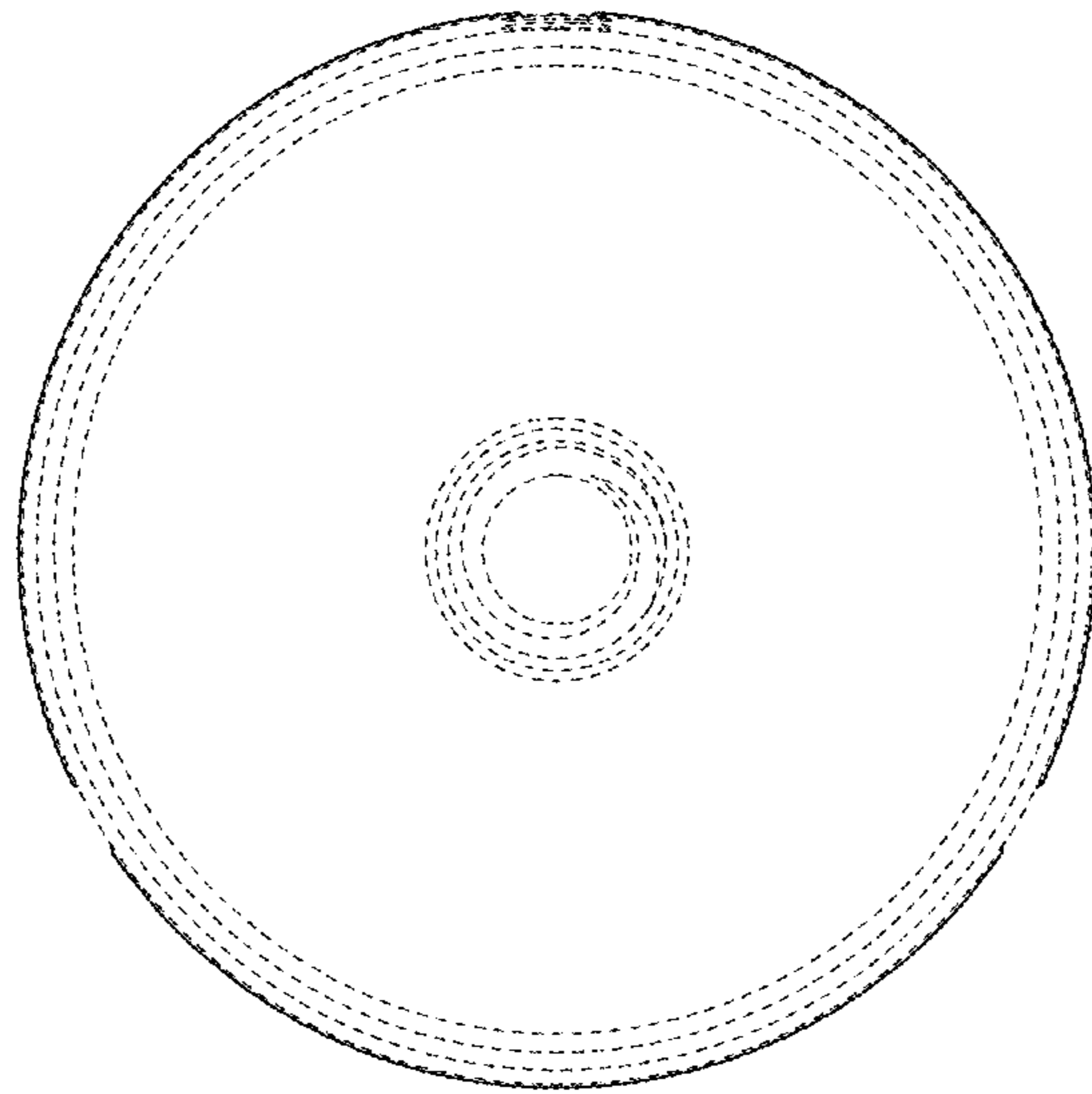


FIG. 7

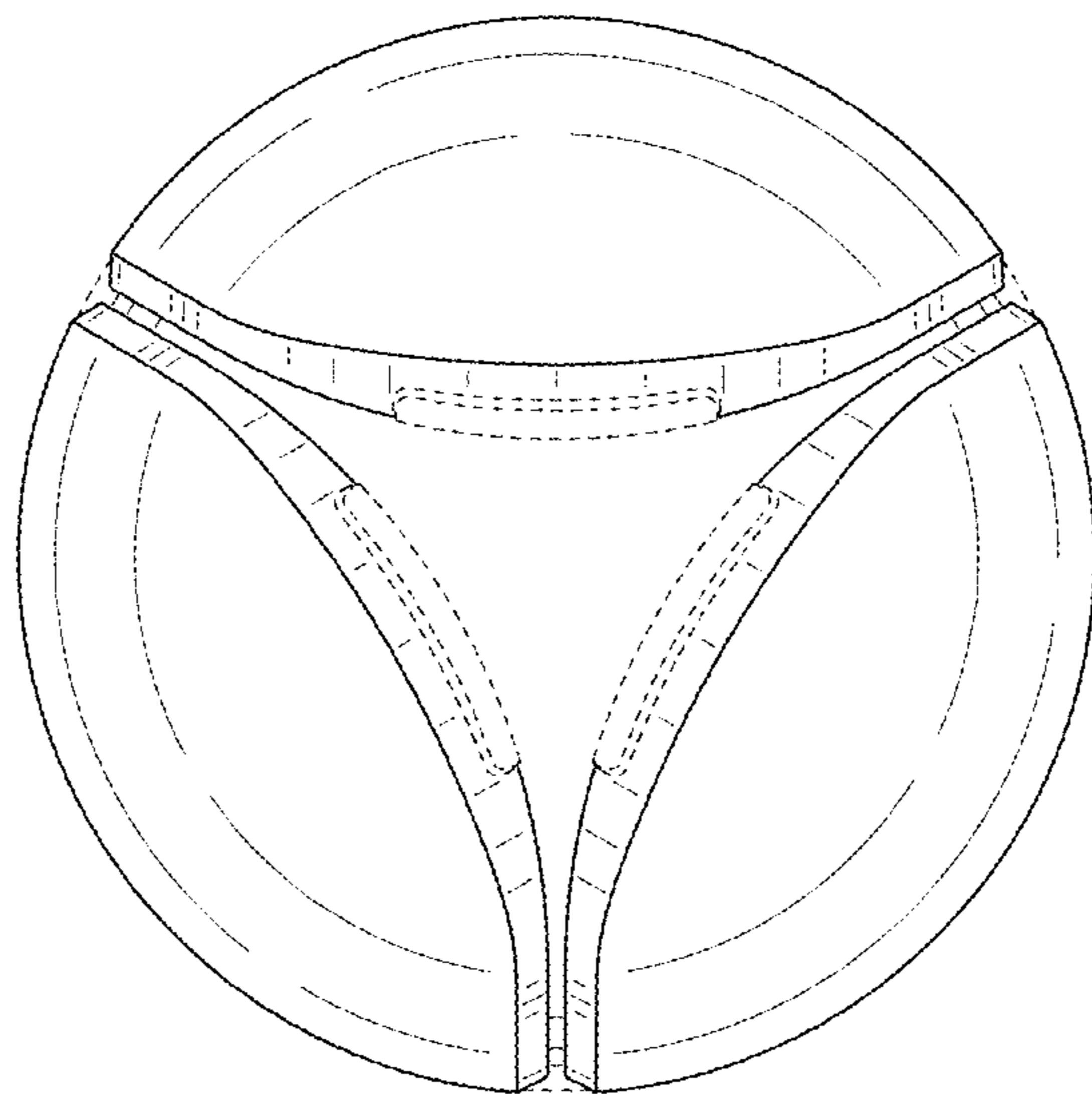


FIG. 8

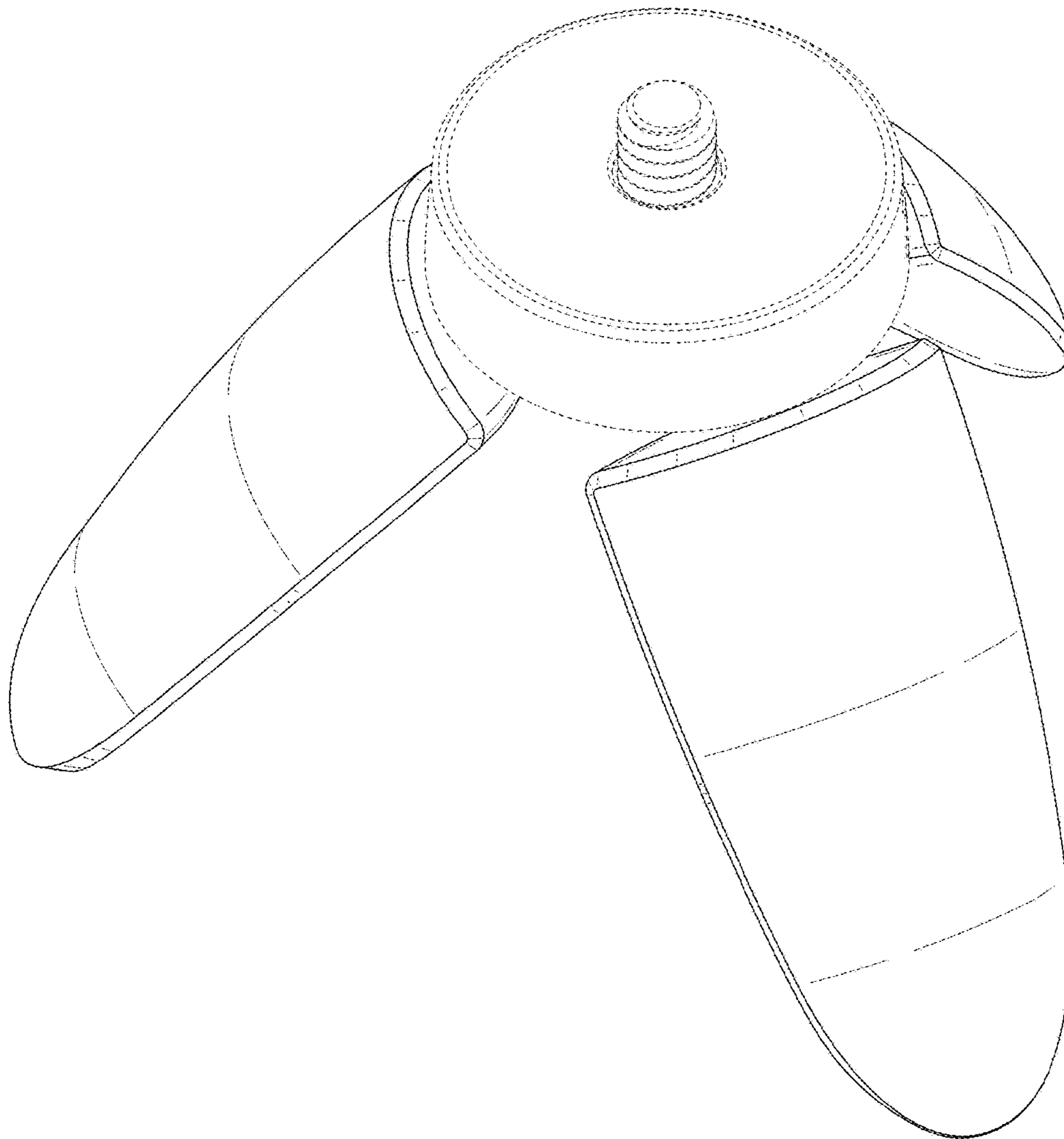


FIG. 9

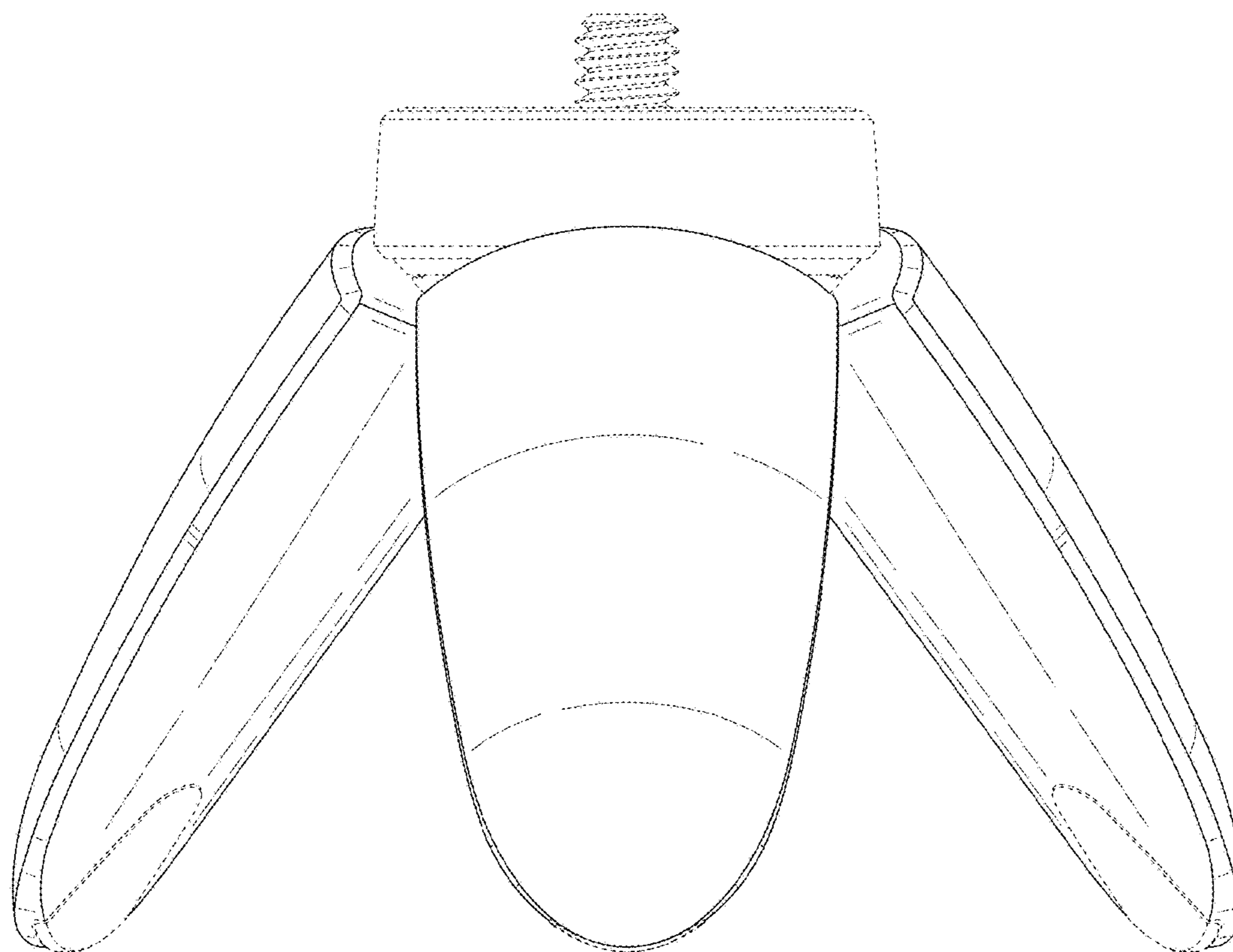


FIG. 10

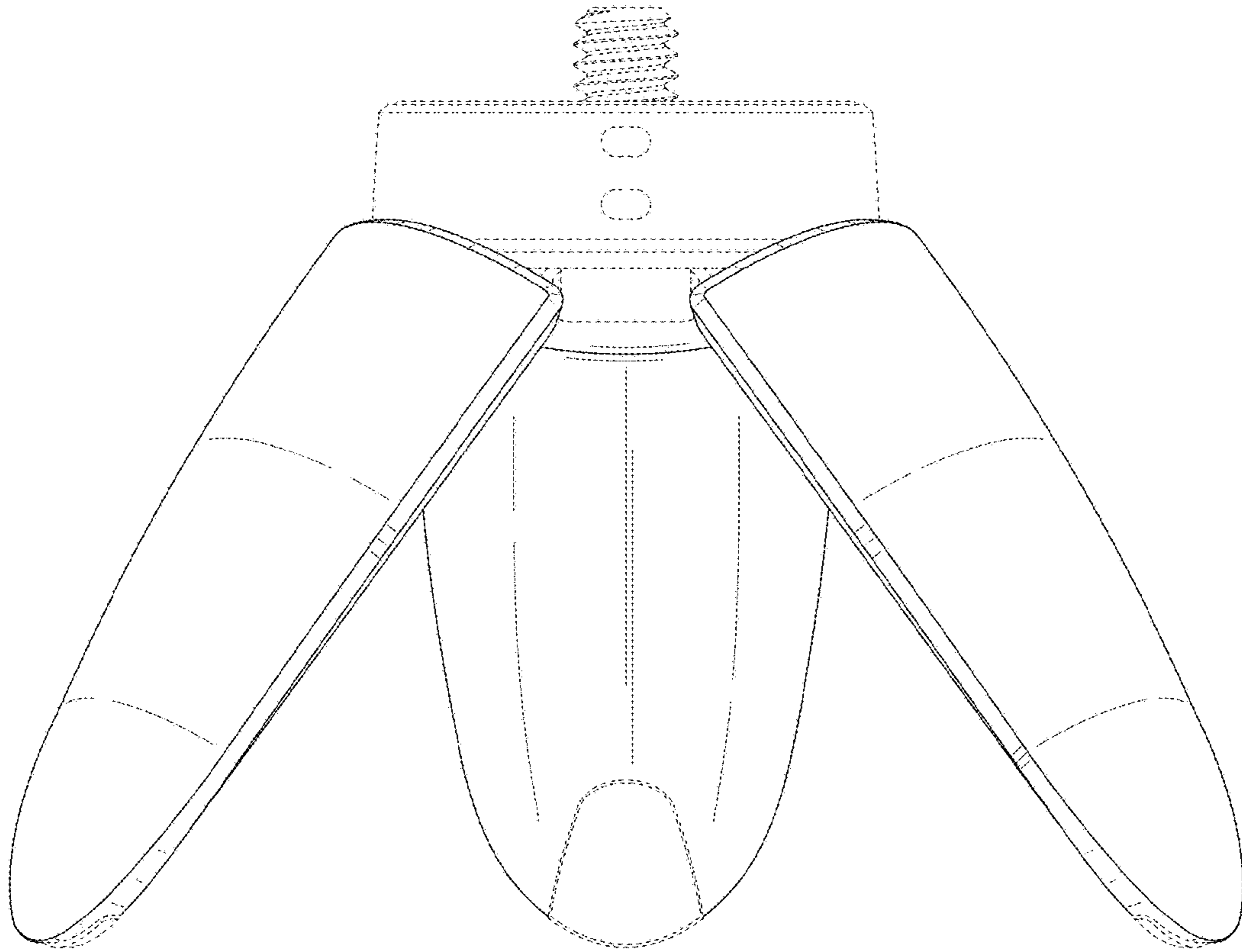


FIG. 11

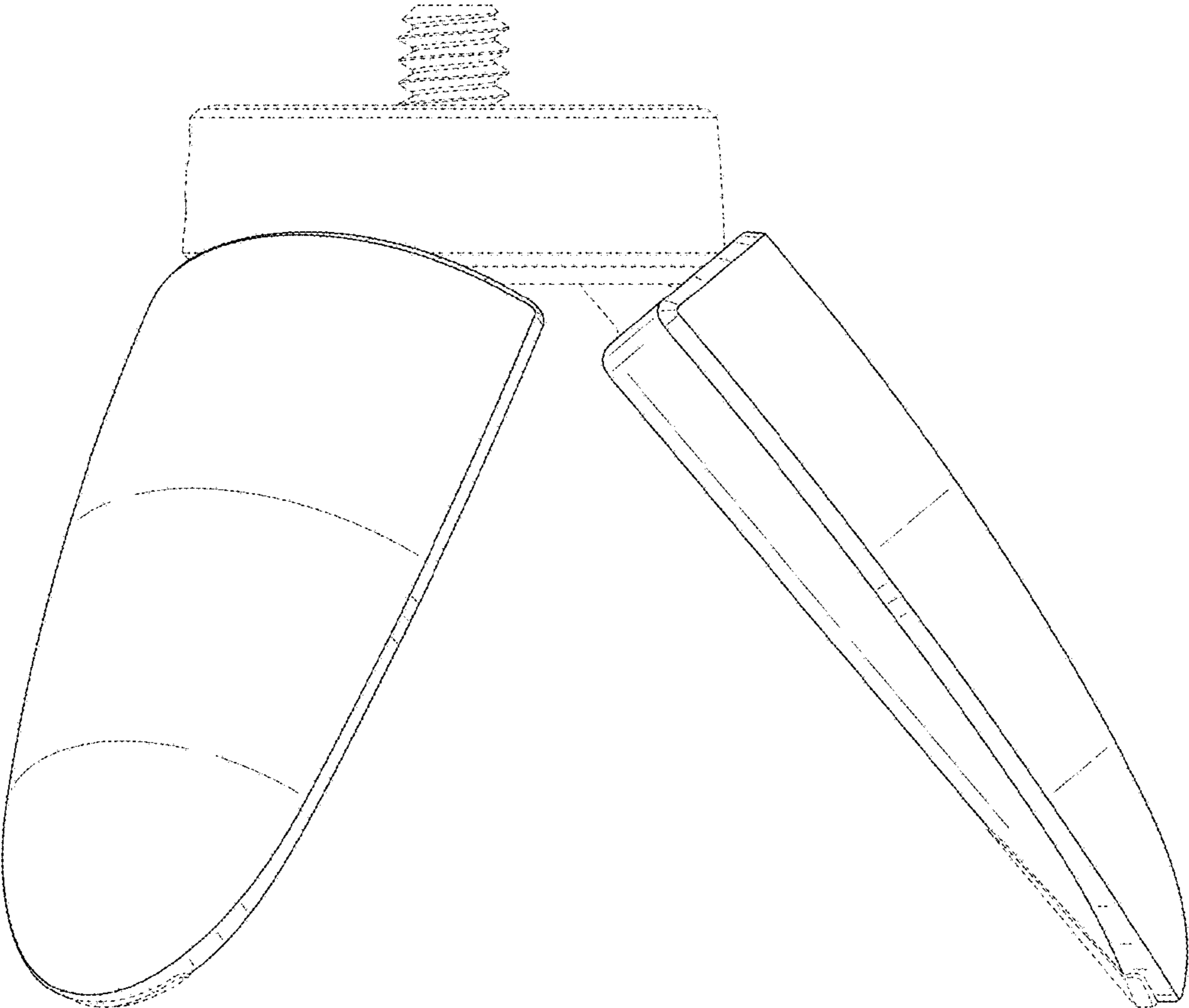


FIG. 12

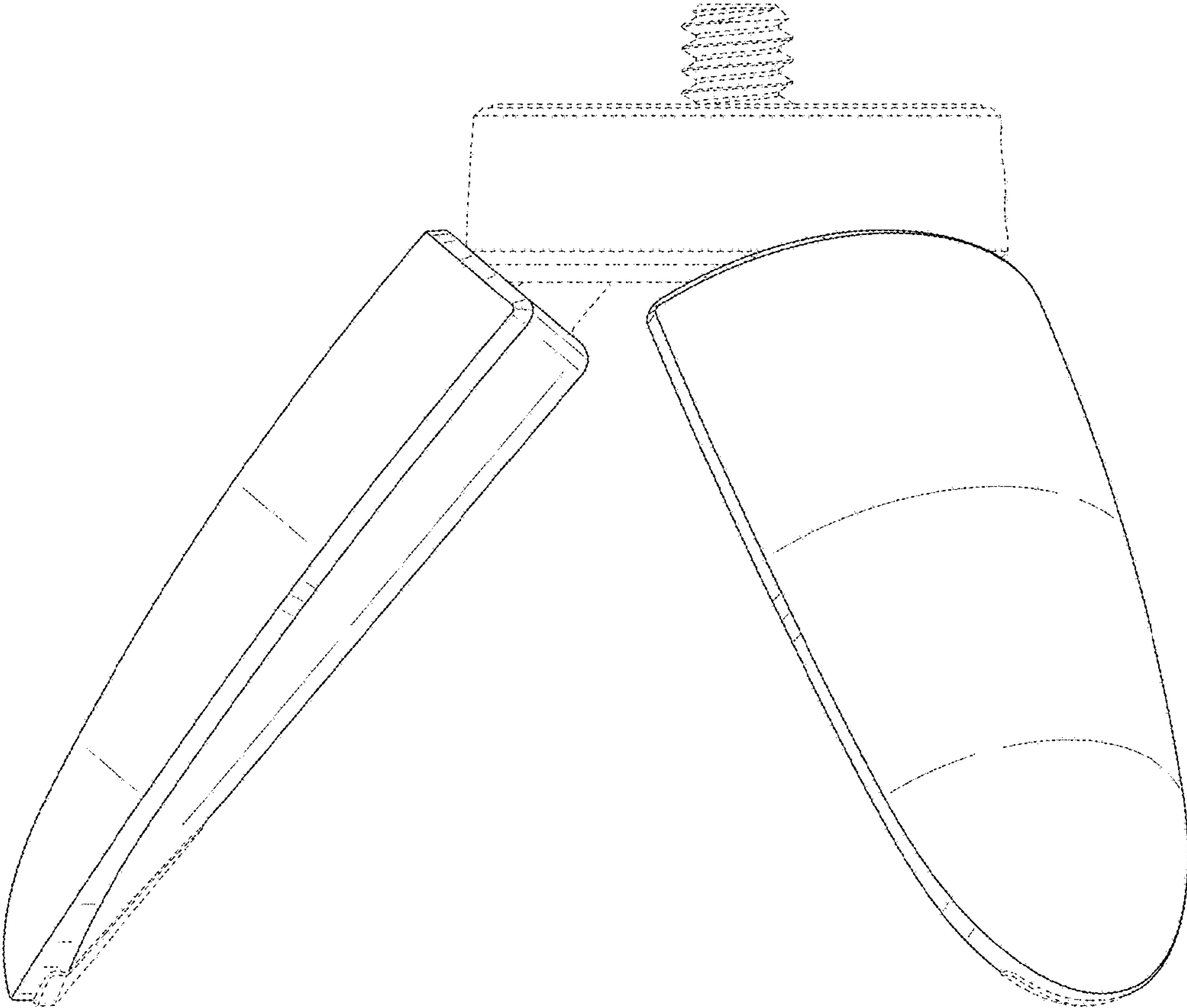


FIG. 13

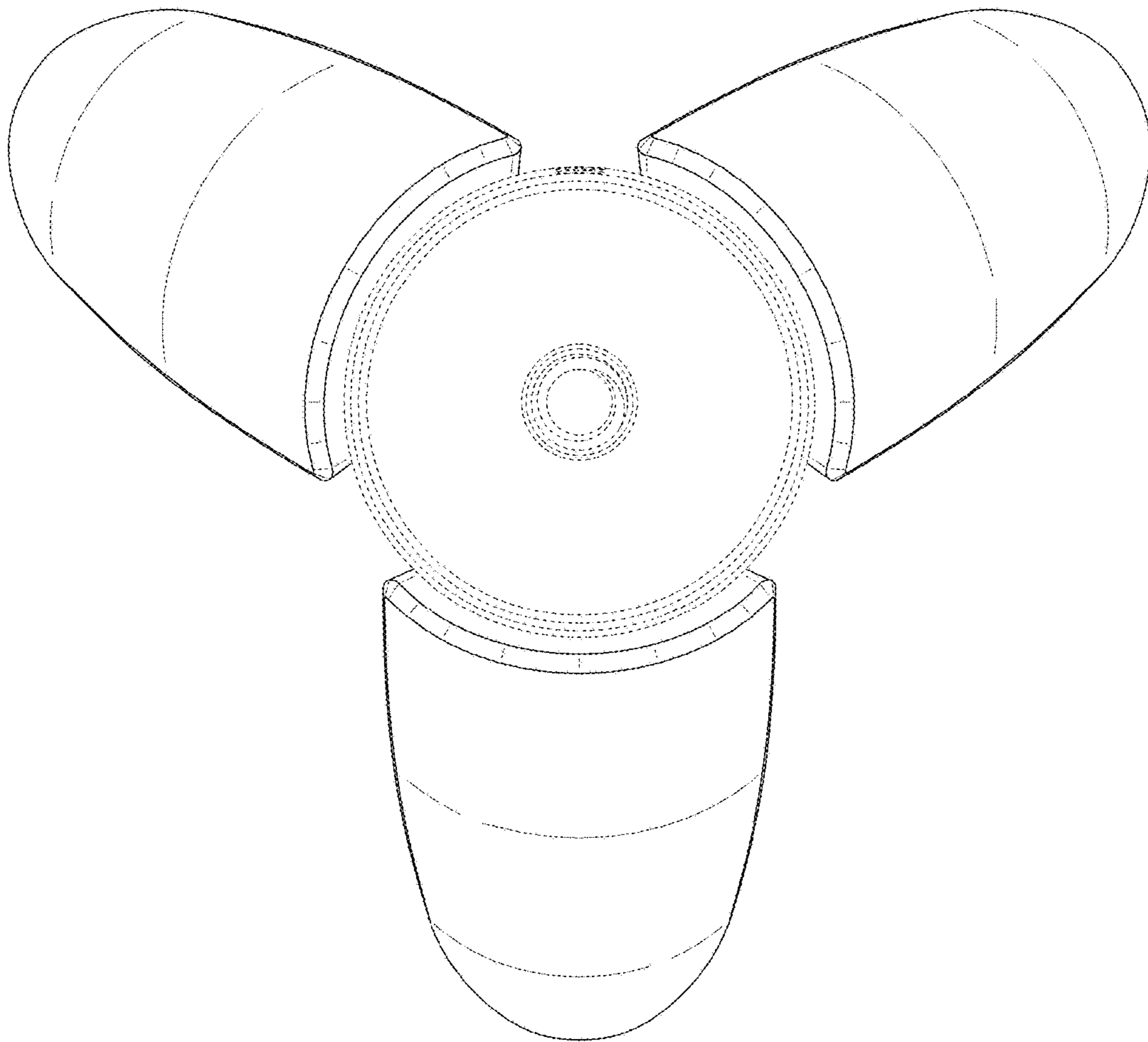


FIG. 14

