



US00D836155S

(12) **United States Design Patent** (10) **Patent No.:** **US D836,155 S**
Cleveland et al. (45) **Date of Patent:** **** Dec. 18, 2018**

(54) **POLE-MOUNTABLE CAMERA SUPPORT STRUCTURE**

(71) Applicant: **Duke Energy Corporation**, Charlotte, NC (US)

(72) Inventors: **James Cleveland**, Cornelius, NC (US); **Gregory S Tribbe**, New York, NY (US); **Louis Lombardi**, Maplewood, NJ (US); **Gilbert DeFreitas**, Palm Coast, FL (US); **Peter Henderson**, Cary, NC (US)

(73) Assignee: **DUKE ENERGY CORPORATION**, Charlotte, NC (US)

(**) Term: **15 Years**

(21) Appl. No.: **29/593,239**

(22) Filed: **Feb. 7, 2017**

(51) **LOC (11) Cl.** **16-05**

(52) **U.S. Cl.**
USPC **D16/242**

(58) **Field of Classification Search**
USPC D16/219, 237-250; D14/224, 229, 238, D14/251, 253, 433, 434, 447, 451; D8/354-356, 363, 367-371, 373, D8/382-383, 394-396
CPC G03B 17/56; G03B 17/561-17/568; G02B 7/00-7/002; H04N 5/2253-5/2254; F16M 11/04-11/12; A45F

(Continued)

(56) **References Cited**

U.S. PATENT DOCUMENTS

D187,055 S * 1/1960 King D16/239
D262,634 S * 1/1982 Schlagheck D16/240

(Continued)

OTHER PUBLICATIONS

TrueLook Construction Cameras. [online] Published on Sep. 9, 2016. Retrieved Jan. 17, 2018 from URL: <https://www.truelook.com/blog/planning-for-construction-camera-success-how-to-place-your-truelook-cameras-for-optimal-results/>.*

(Continued)

Primary Examiner — Vy N Koenig
(74) *Attorney, Agent, or Firm* — Myers Bigel, P.A.

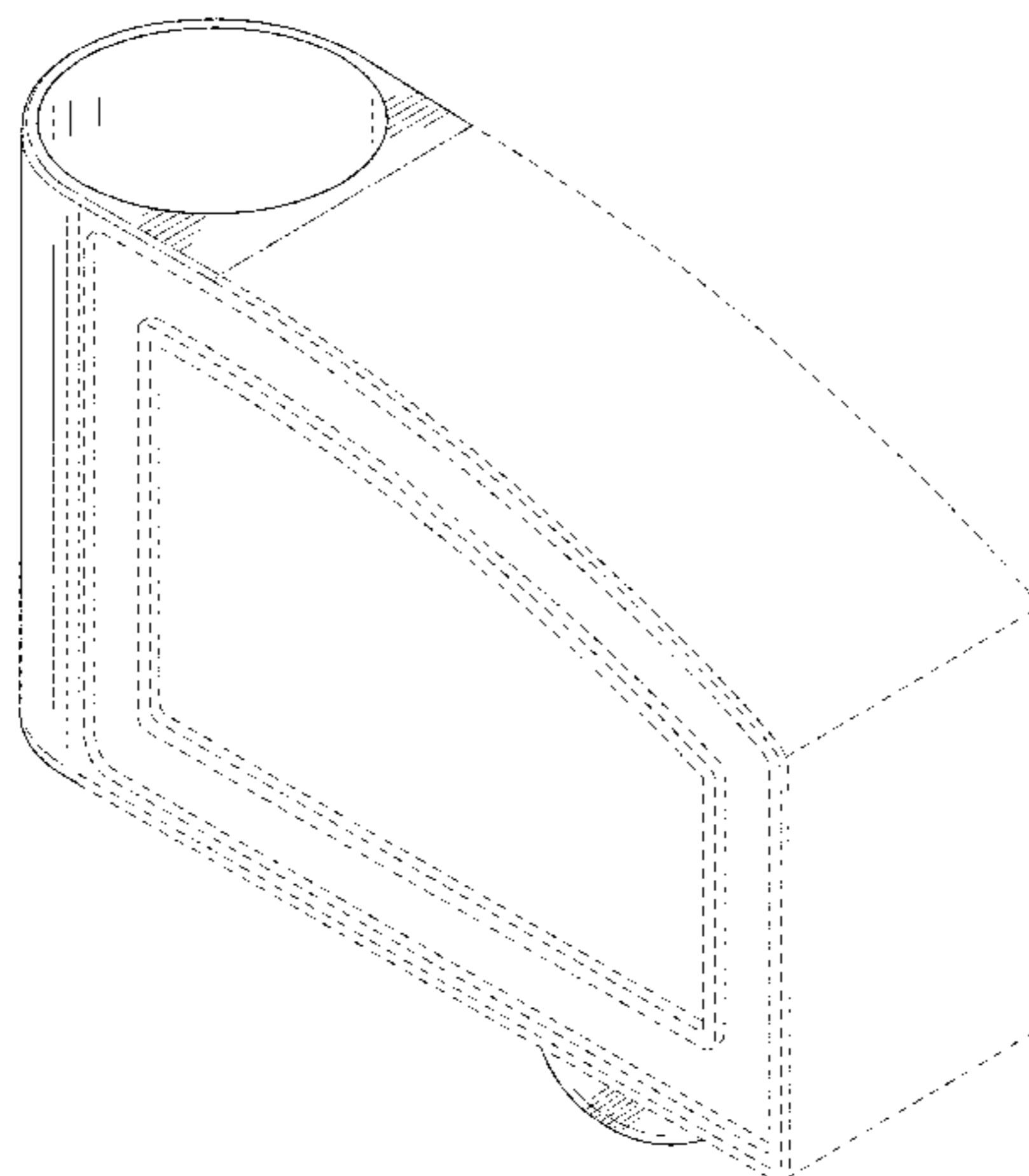
(57) **CLAIM**

The ornamental design for a pole-mountable camera support structure, as shown and described.

DESCRIPTION

FIG. 1 is a front perspective view of a first embodiment of a pole-mountable camera support structure, showing our design;
FIG. 2 is a front view thereof;
FIG. 3 is a rear view thereof;
FIG. 4 is a side view thereof;
FIG. 5 is an opposing side view thereof;
FIG. 6 is a top view thereof;
FIG. 7 is a bottom view thereof;
FIG. 8 is a front perspective environmental view thereof;
FIG. 9 is a front perspective view of a second embodiment of a pole-mountable camera support structure, showing our design;
FIG. 10 is a front view thereof;
FIG. 11 is a rear view thereof;
FIG. 12 is a side view thereof;
FIG. 13 is an opposing side view thereof;
FIG. 14 is a top view thereof;
FIG. 15 is a bottom view thereof; and,
FIG. 16 is a front perspective environmental view thereof. The broken lines in the drawings depict environmental structure and form no part of the claimed design. The stippling patterns shown in FIGS. 9-16 indicate components that are the same color. The color indicated by the stippling patterns may be any color that is the same for each component including the stippling patterns.

1 Claim, 16 Drawing Sheets



(58) **Field of Classification Search**

CPC 2200/0508–2200/0533; A45F 5/00; A45F
5/10

See application file for complete search history.

D706,609 S * 6/2014 Huebl D8/356
D750,364 S * 3/2016 Lah D3/10
D795,323 S * 8/2017 Melamed D16/135
D795,327 S * 8/2017 Martin D16/242
D797,549 S * 9/2017 Dew D8/394
2017/0307972 A1* 10/2017 Okumura H04N 5/2251

(56) **References Cited**

U.S. PATENT DOCUMENTS

D262,715 S * 1/1982 Schlagheck D16/240
D262,716 S * 1/1982 Schlagheck D16/240
D264,221 S * 5/1982 Schlagheck D16/240
D431,450 S * 10/2000 Maharg D8/363
D451,371 S * 12/2001 Borotto D8/395
D494,963 S * 8/2004 Schwimmer D14/253
D590,698 S * 4/2009 Moore D8/363
D629,032 S * 12/2010 Miyashita D16/219
D652,422 S * 1/2012 Cheng D14/253
D658,053 S * 4/2012 Okun D8/396

OTHER PUBLICATIONS

Visuatch. [online] Published Sep. 29, 2017. Retrieved Jan. 17, 2018 from URL: <http://shop.visuatch.be/products/977-autonome-camera-extem-oplaadbaar-kabel-5m.aspx>.*

“New technology provides all-in-one lighting, sound, and public safety applications” *Downtown Idea Exchange* 2 pages (Feb. 2012). SiteLink® Revolutionary Track System Product Brochure *Holophane* 24 pages (© 2016).

* cited by examiner

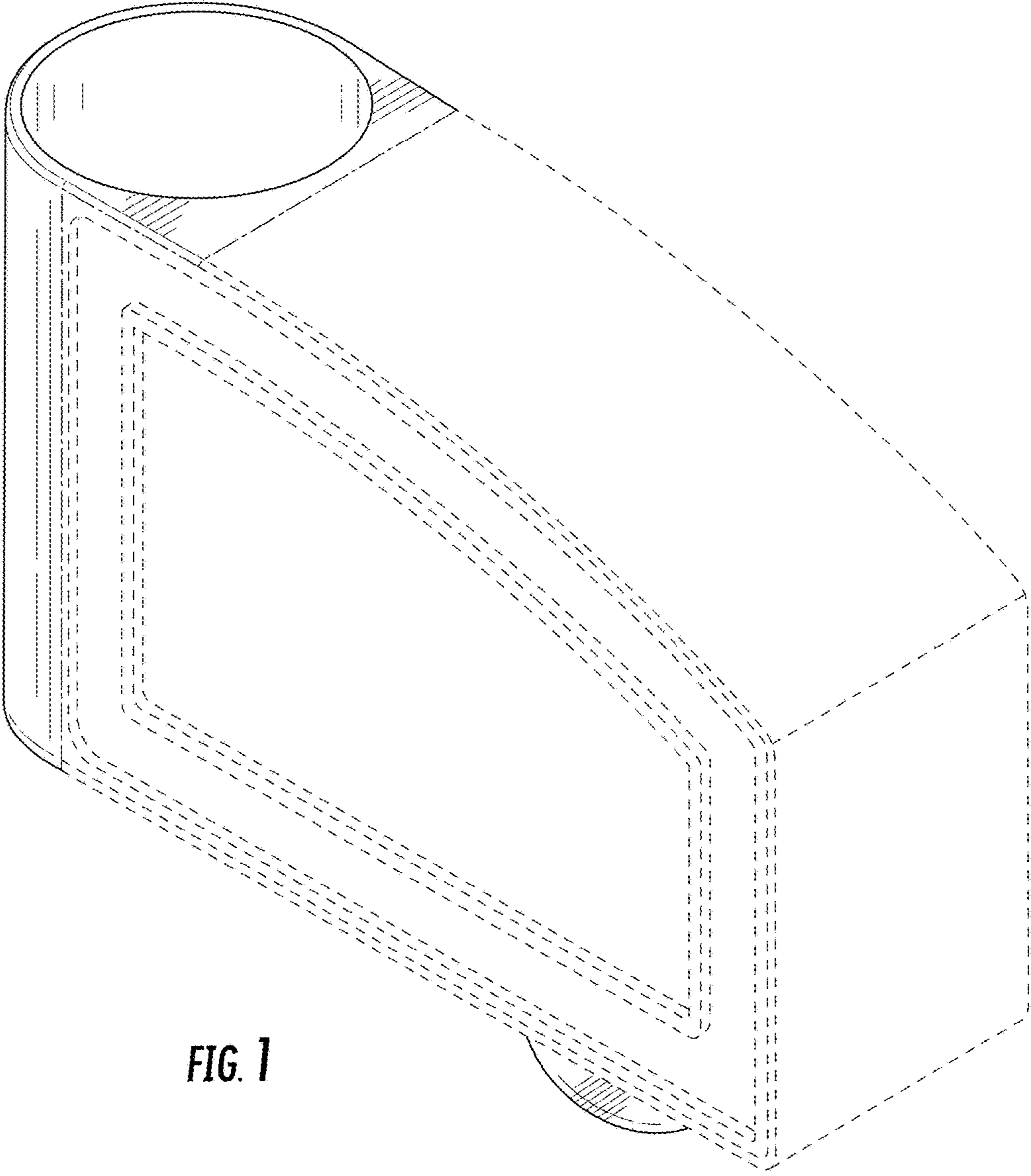


FIG. 1

FIG. 2

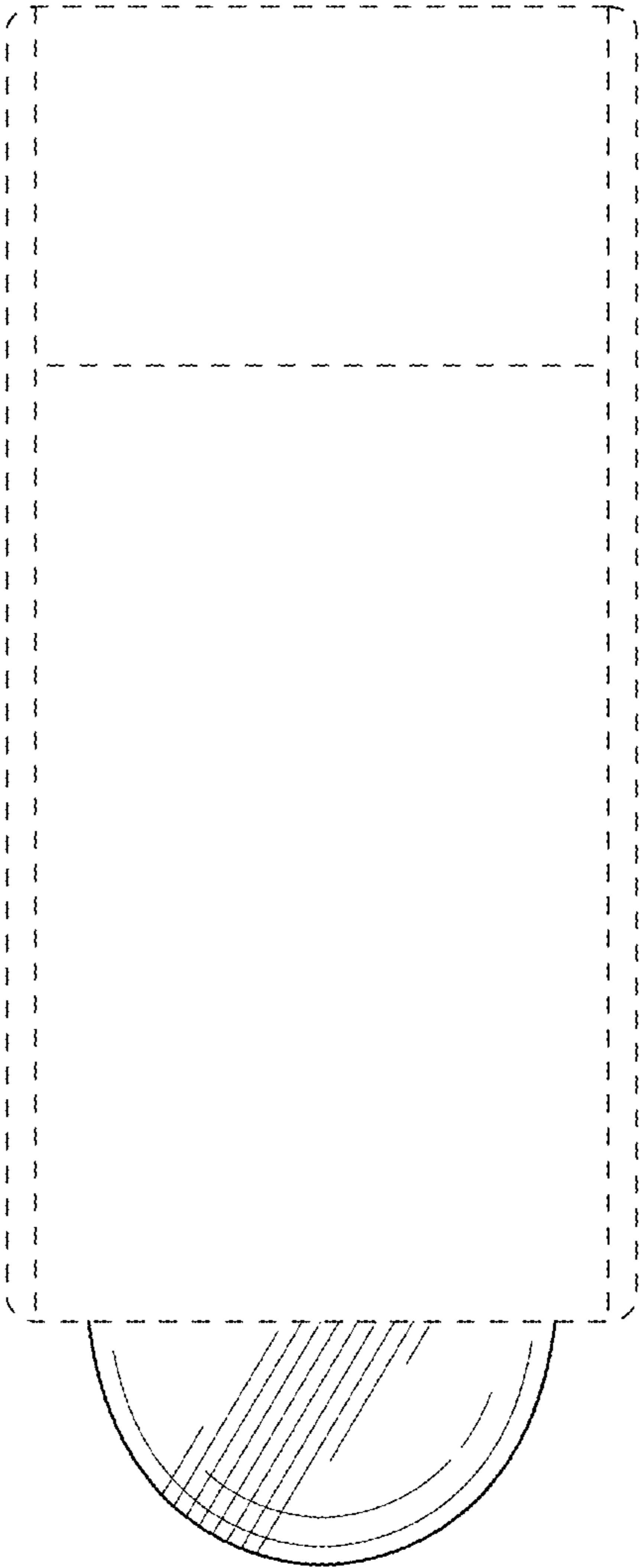
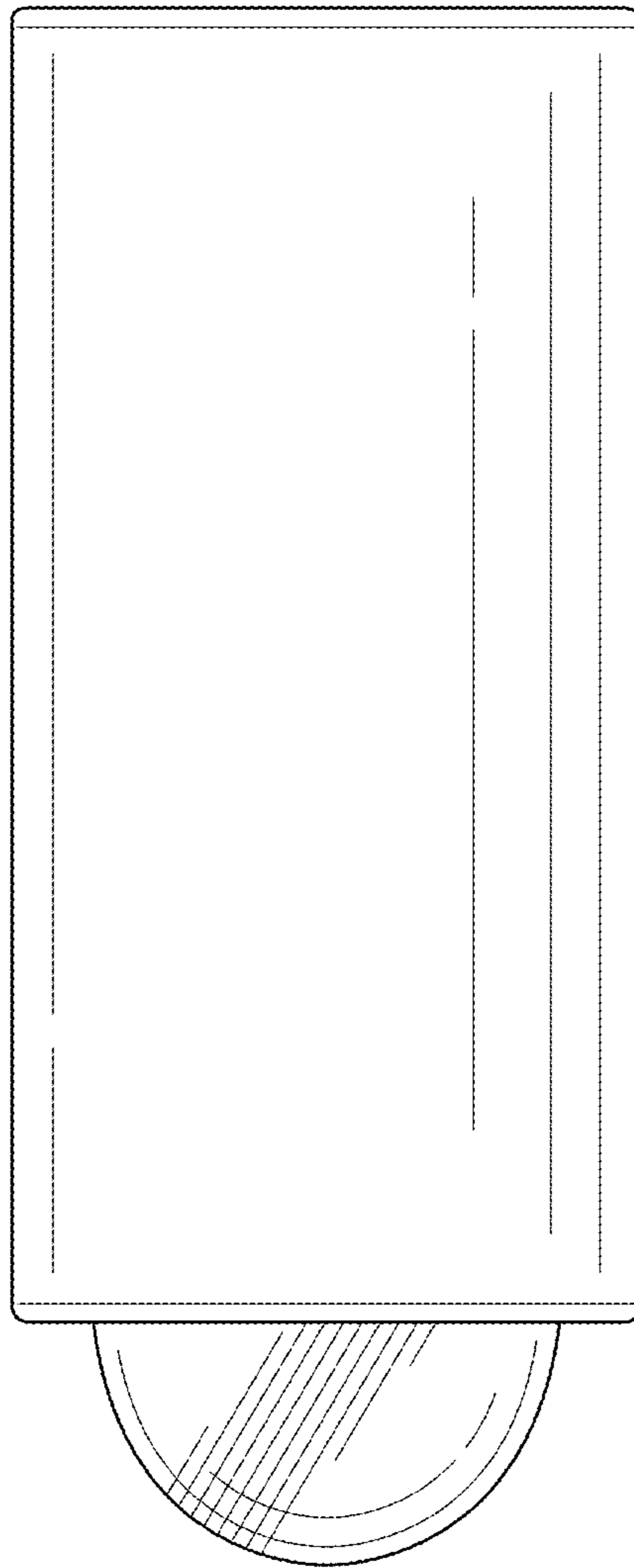


FIG. 3



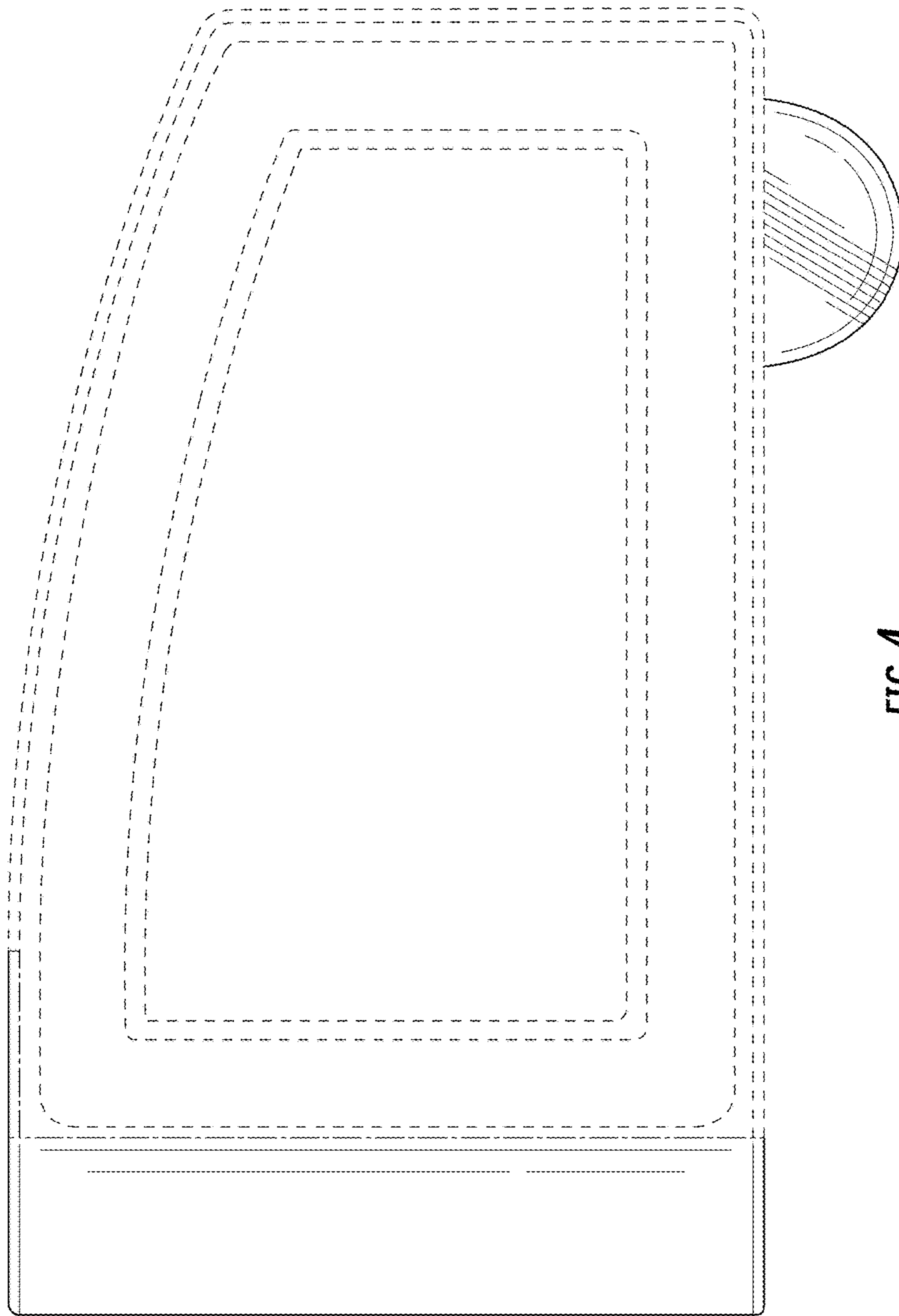


FIG. 4

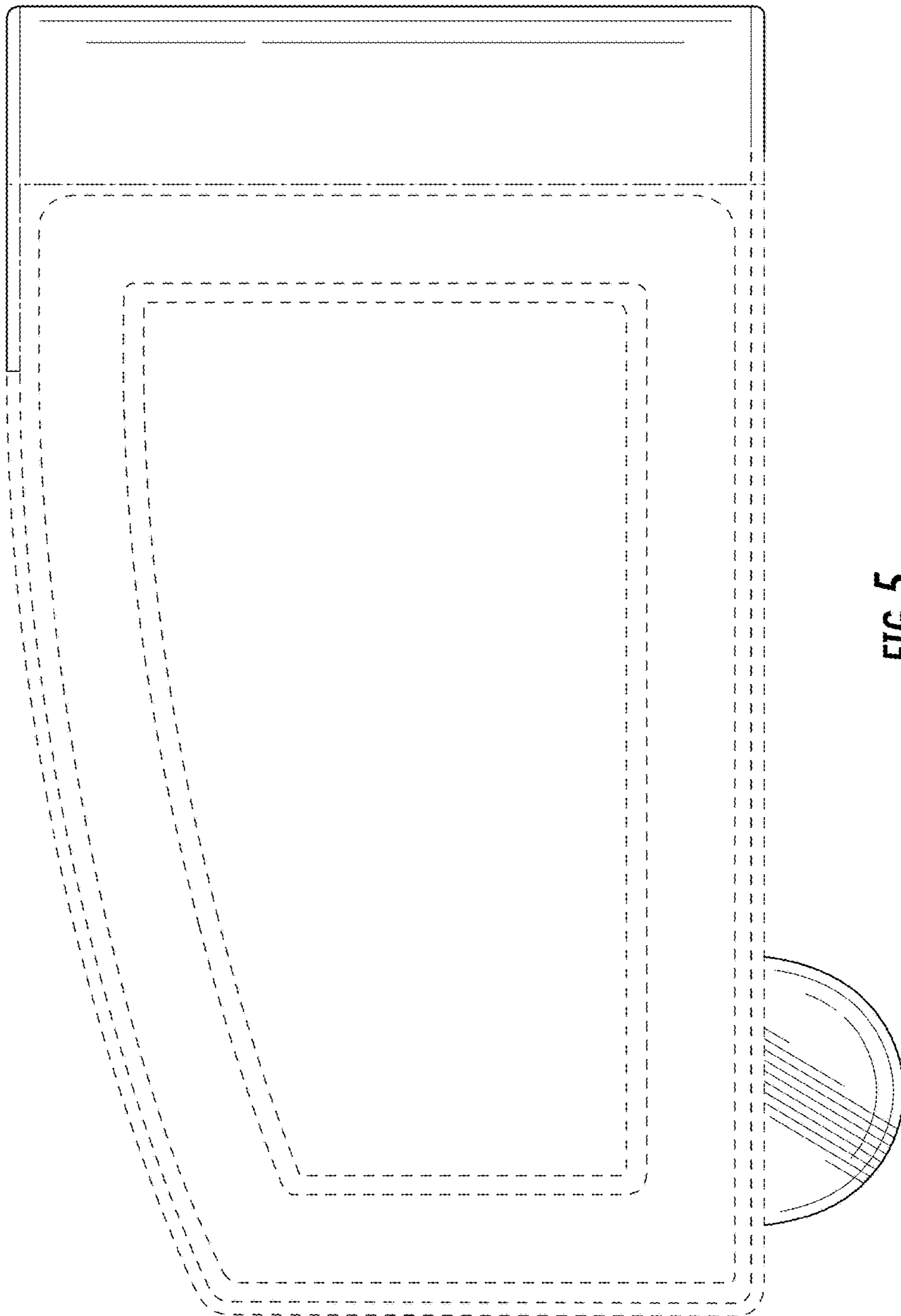


FIG. 5

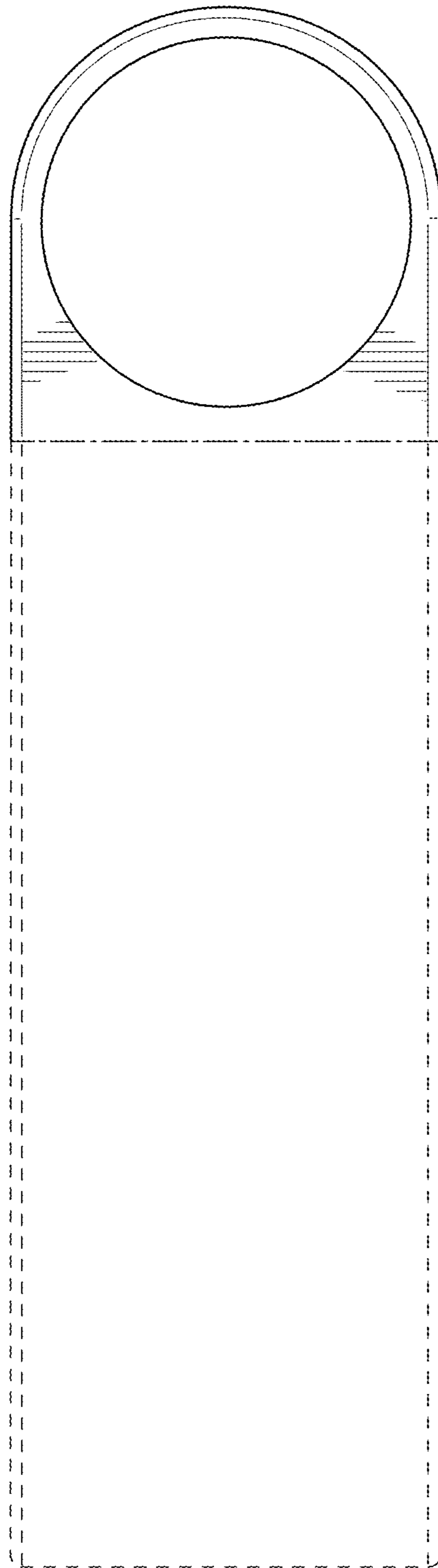
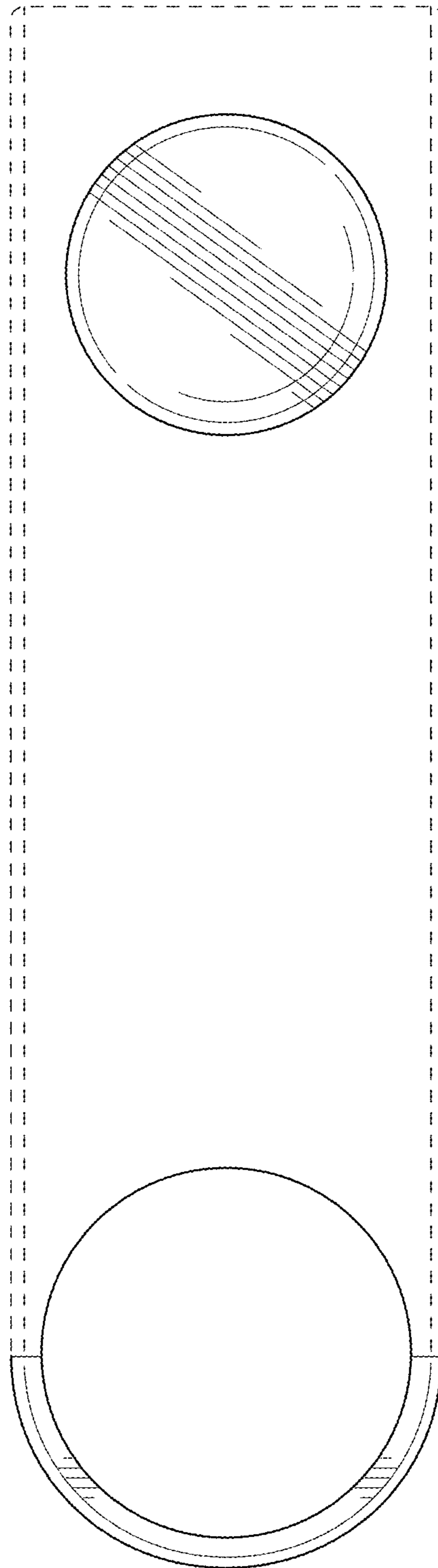


FIG. 6

FIG. 7



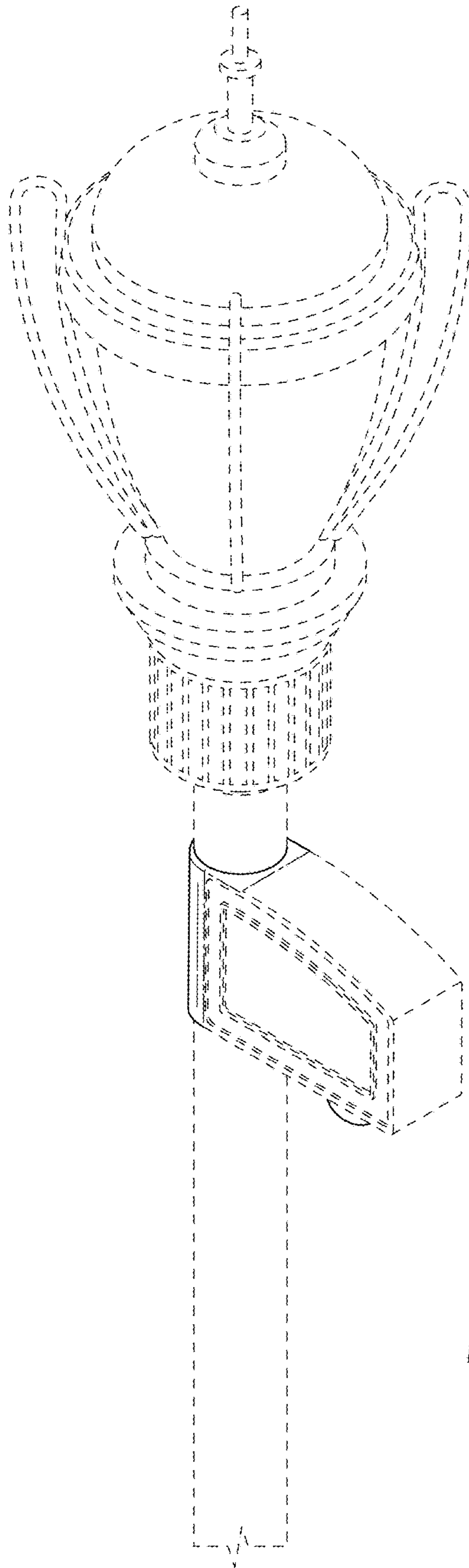


FIG. 8

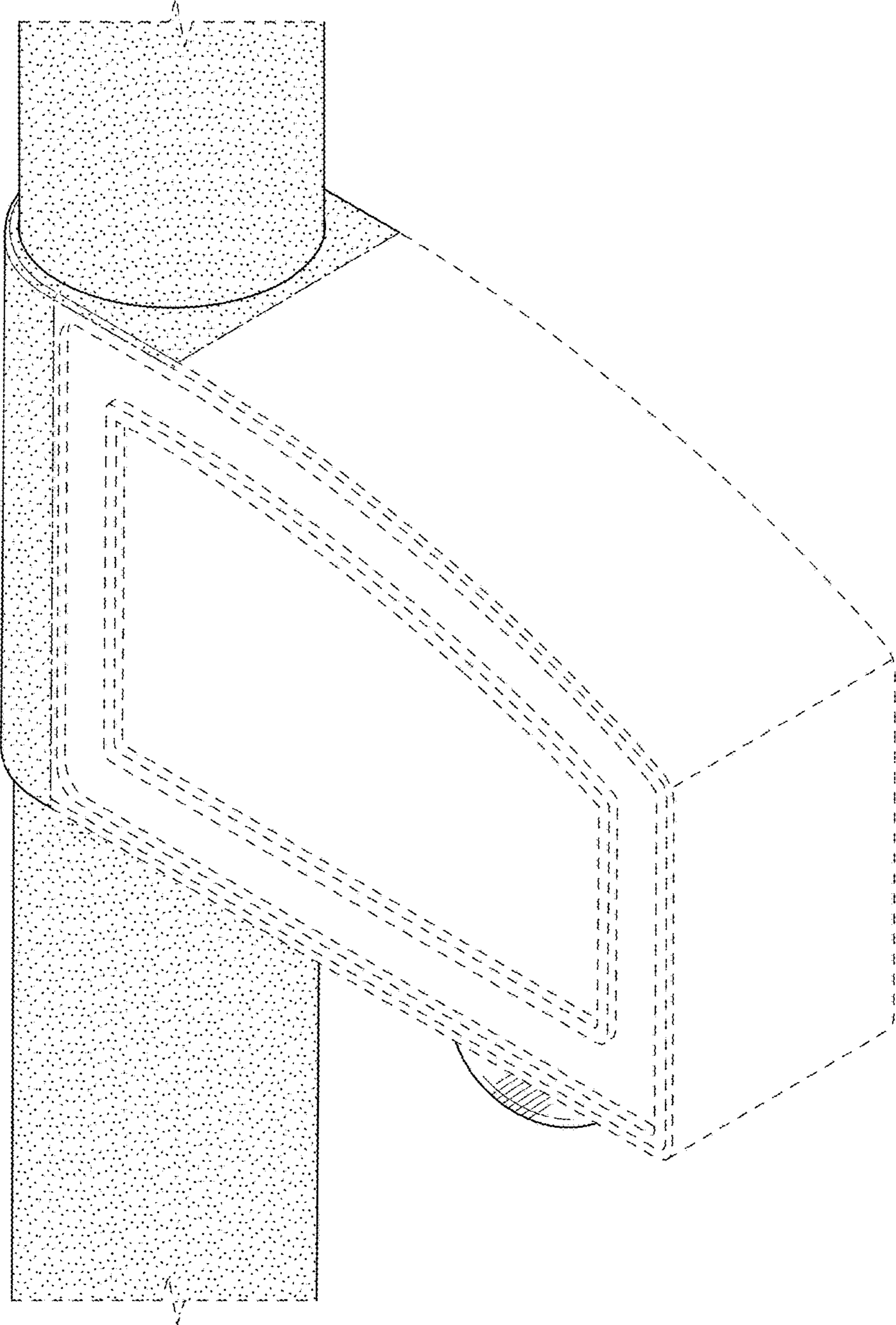


FIG. 9

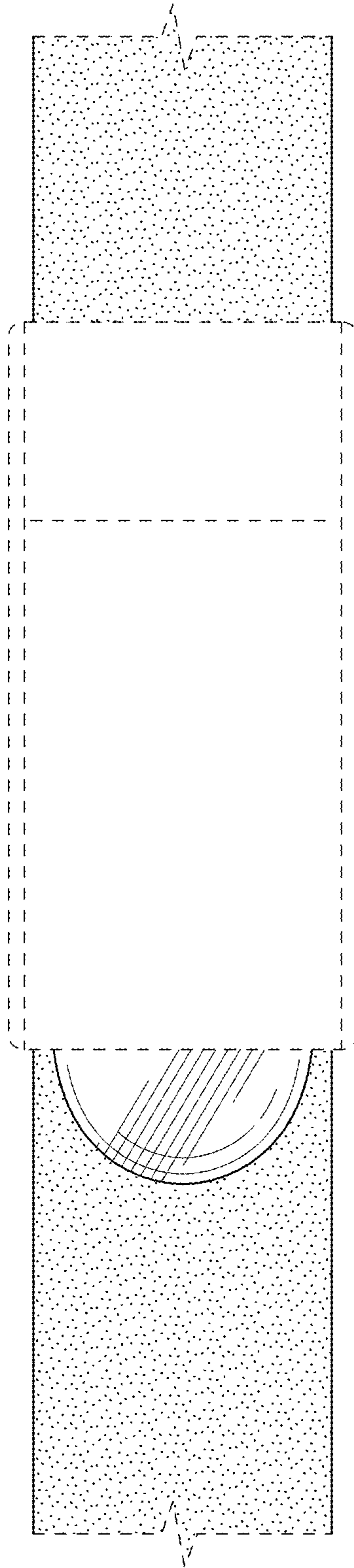


FIG. 10

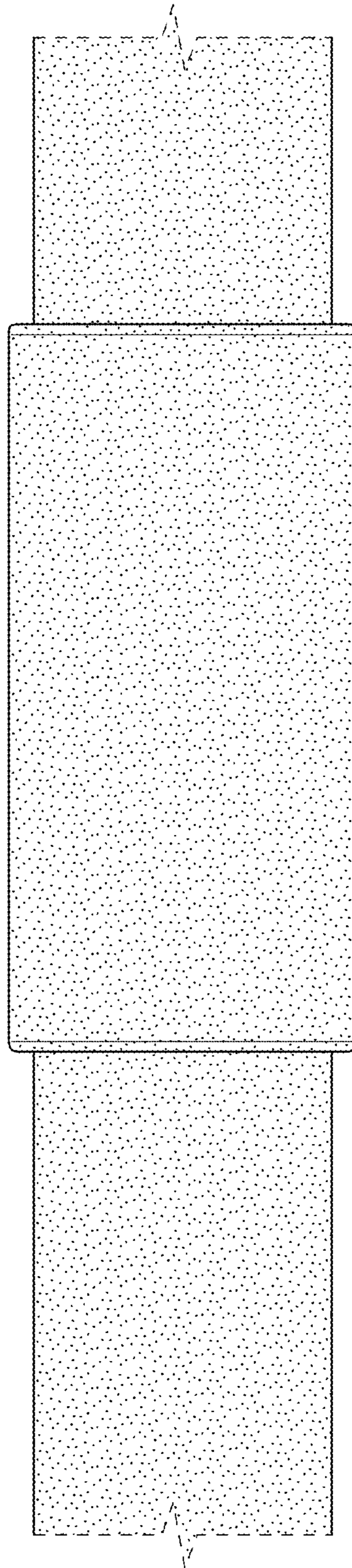


FIG. 11

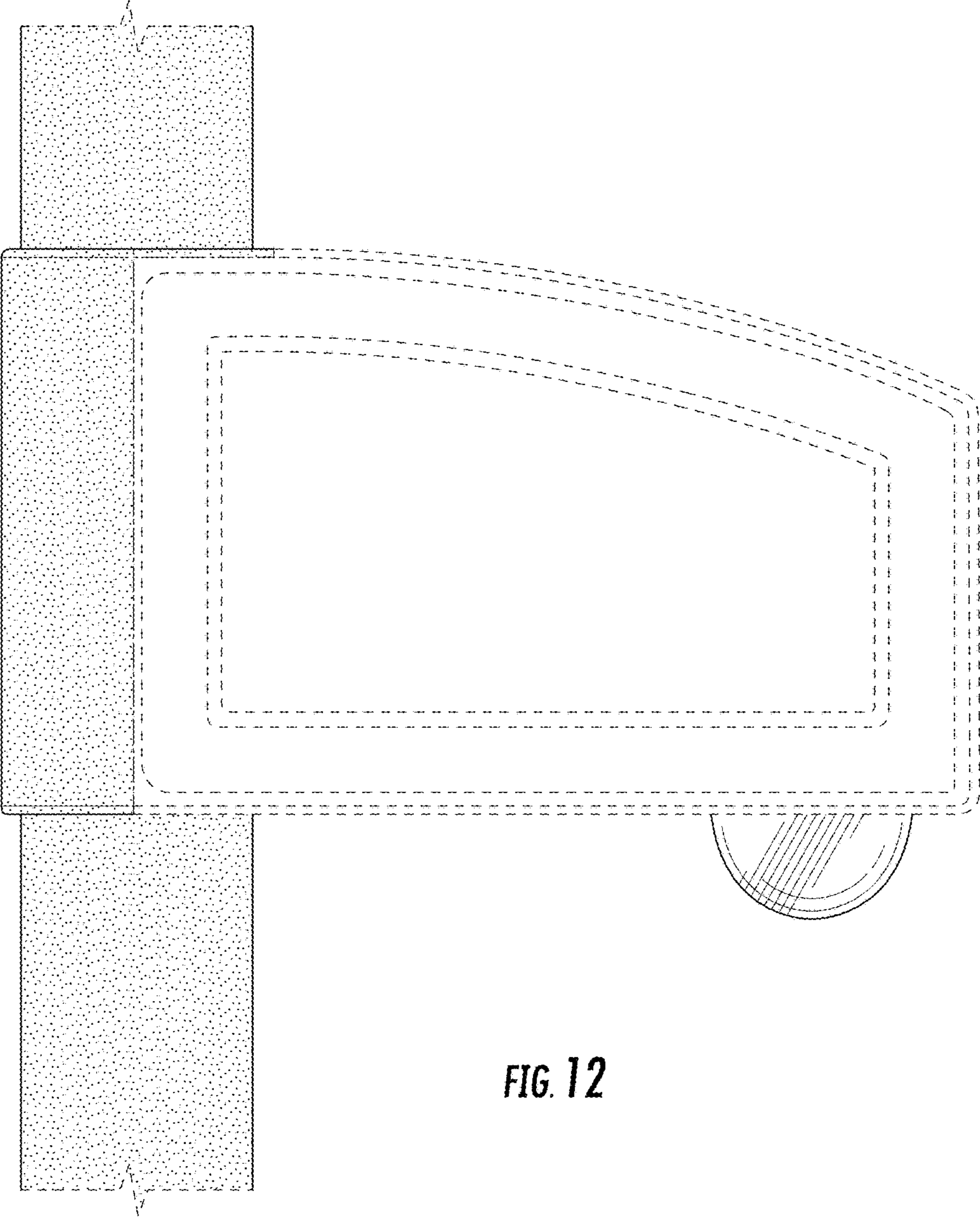


FIG. 12

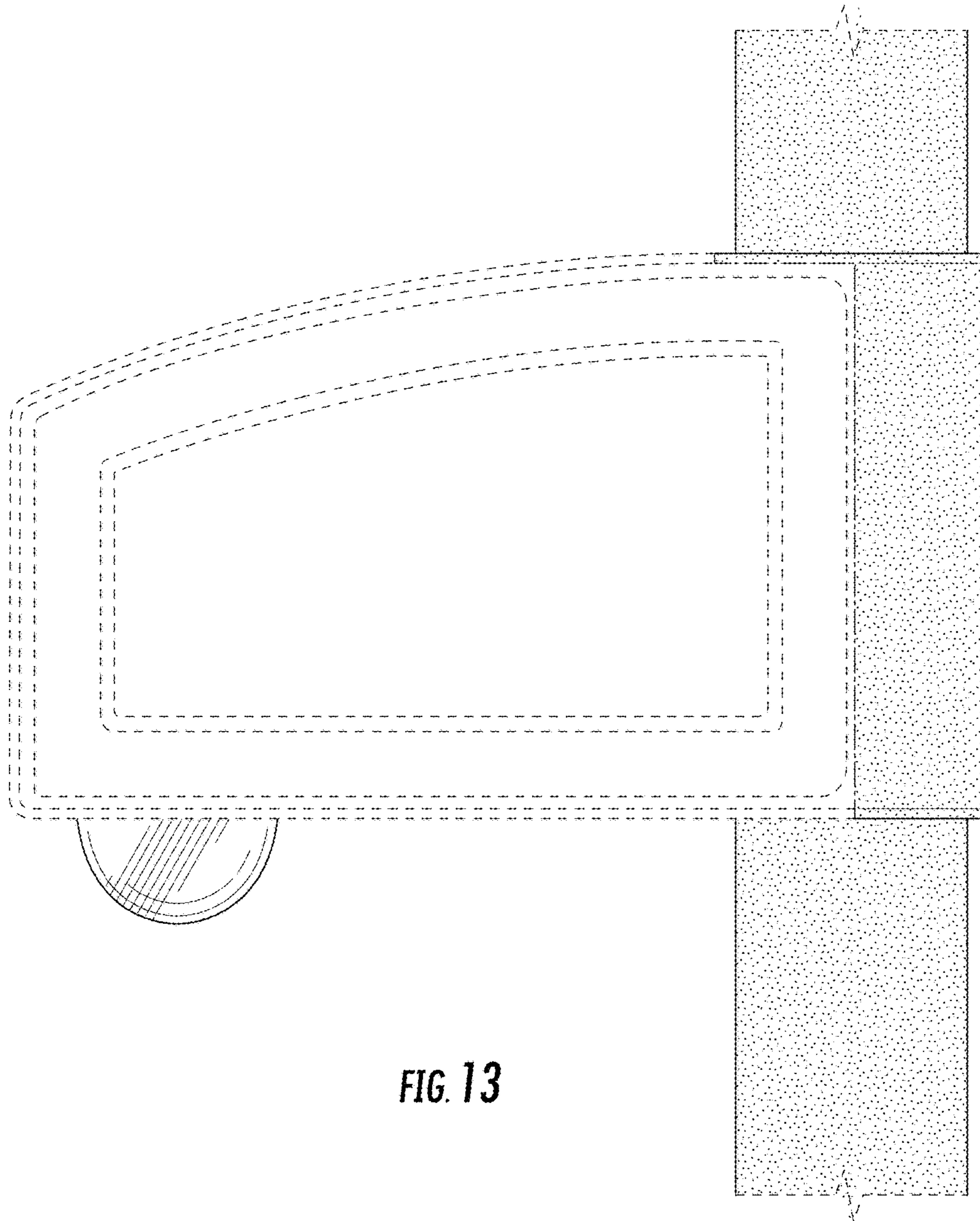


FIG. 13

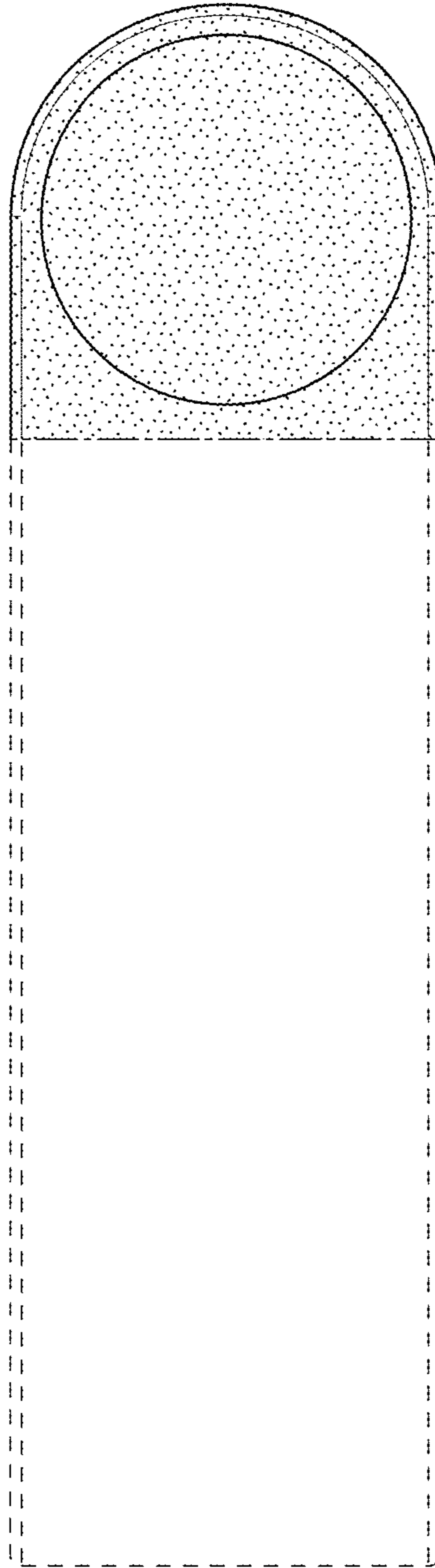


FIG. 14

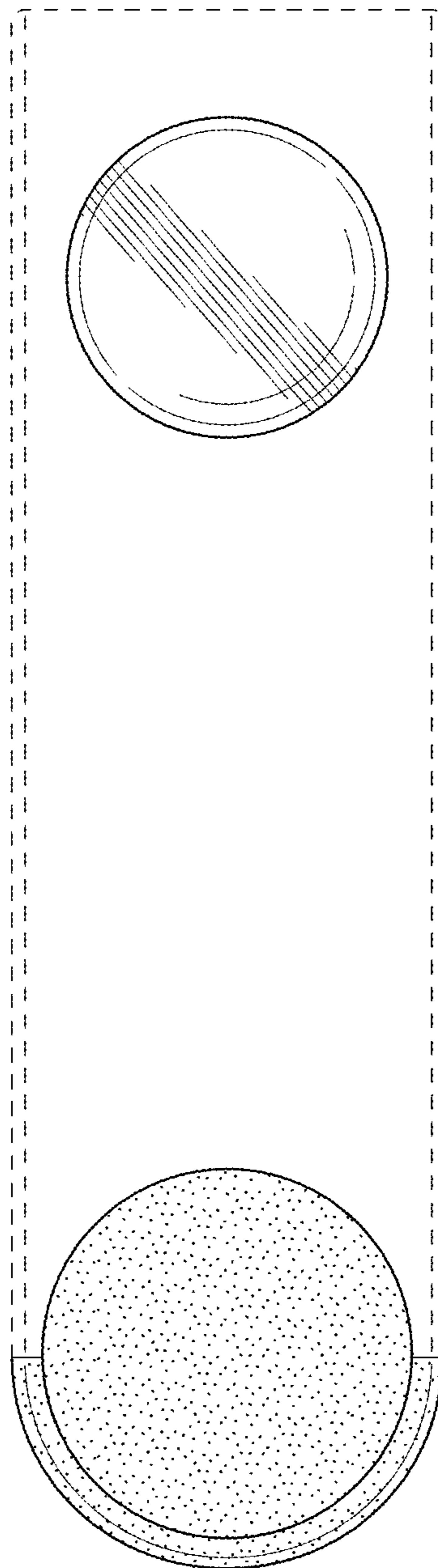


FIG. 15

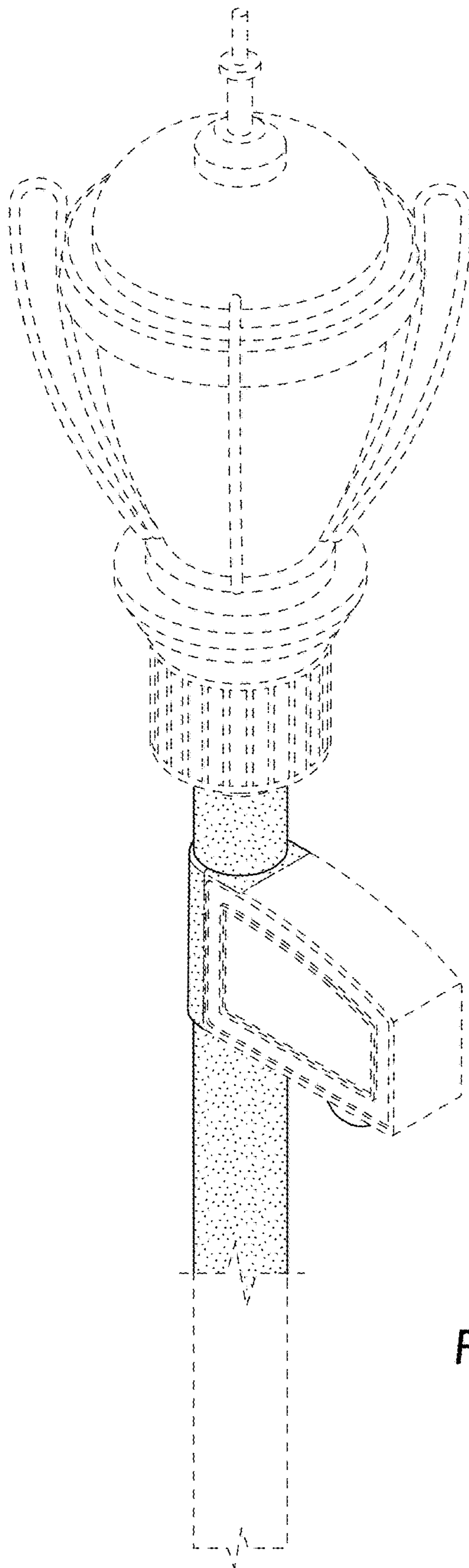


FIG. 16

UNITED STATES PATENT AND TRADEMARK OFFICE
CERTIFICATE OF CORRECTION

PATENT NO. : D836,155 S
APPLICATION NO. : 29/593239
DATED : December 18, 2018
INVENTOR(S) : Cleveland et al.

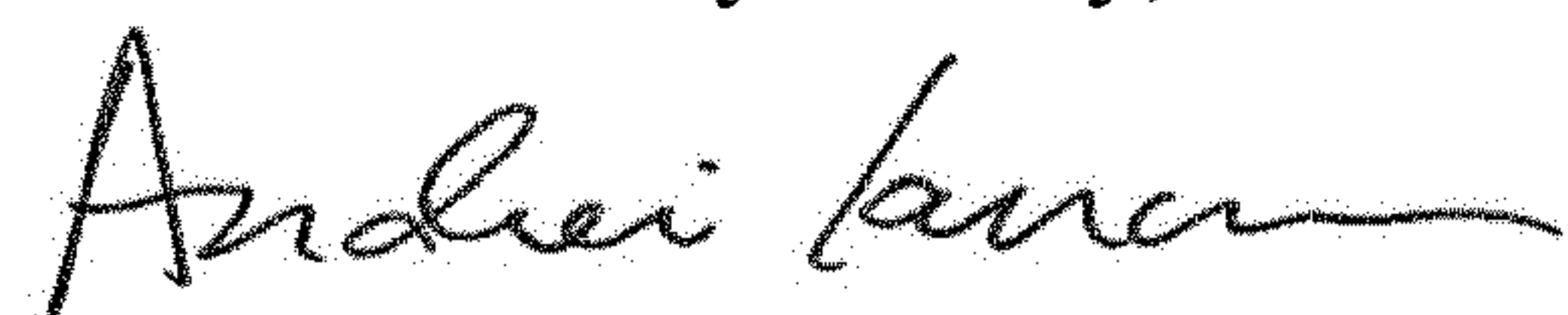
Page 1 of 1

It is certified that error appears in the above-identified patent and that said Letters Patent is hereby corrected as shown below:

On the Title Page

Item (56) References Cited, OTHER PUBLICATIONS, Column 2, Lines 1-2, TrueLook cite:
Please correct "Sep. 9, 2016" to read -- Nov. 9, 2016 --

Signed and Sealed this
Seventh Day of May, 2019



Andrei Iancu
Director of the United States Patent and Trademark Office