



US00D836154S

(12) **United States Design Patent** (10) **Patent No.:** **US D836,154 S**  
**Gustaveson, II** (45) **Date of Patent:** **\*\* Dec. 18, 2018**

(54) **WEBCAM COVER WITH STONE ELEMENT**

21/20; G02B 7/00-7/002; F16M 11/02;  
F16M 11/04; F16M 11/20; F16M 11/40  
See application file for complete search history.

(71) Applicant: **C-SLIDE HOLDINGS, LLC**, Draper,  
UT (US)

(56) **References Cited**

(72) Inventor: **Ronald Glen Gustaveson, II**, Draper,  
UT (US)

U.S. PATENT DOCUMENTS

(73) Assignee: **C-SLIDE HOLDINGS, LLC**, Draper,  
UT (US)

(\*\*) Term: **15 Years**

(21) Appl. No.: **29/596,617**

(22) Filed: **Mar. 9, 2017**

**Related U.S. Application Data**

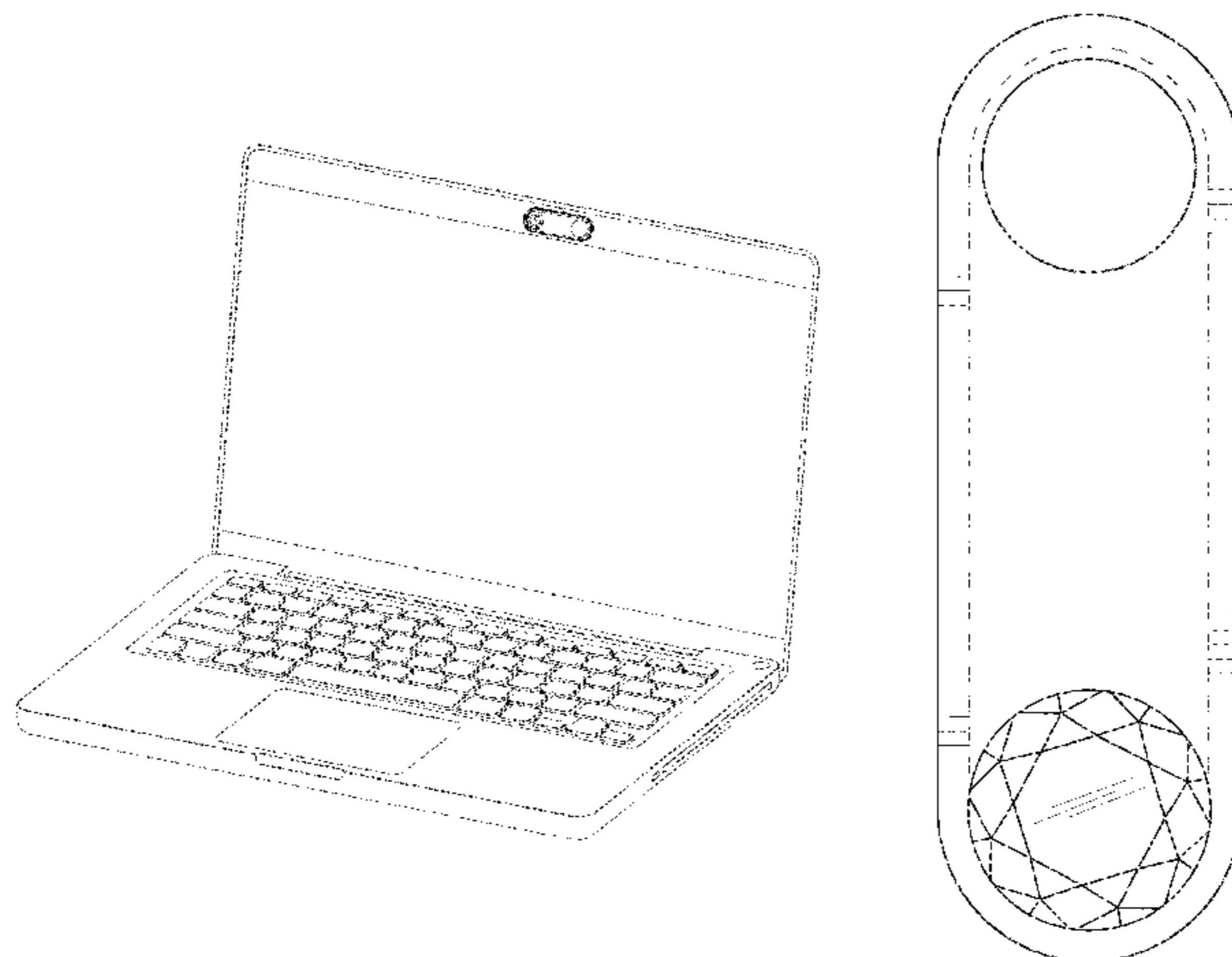
(63) Continuation-in-part of application No. 15/433,151,  
filed on Feb. 15, 2017, now Pat. No. 9,829,770, which  
is a continuation-in-part of application No.  
29/585,474, filed on Nov. 23, 2016, now Pat. No. Des.  
808,457, which is a continuation-in-part of  
application No. 29/567,669, filed on Jun. 10, 2016,  
now Pat. No. Des. 807,947, which is a  
continuation-in-part of application No. 29/564,477,  
filed on May 13, 2016, now Pat. No. Des. 810,180.

D189,894 S	3/1961	Lang
D219,714 S	1/1971	Crestin-Billet
D342,262 S	12/1993	Hester
D371,508 S	7/1996	Sagol
D390,423 S	2/1998	Stivender
5,801,919 A	9/1998	Griencewic
D435,547 S	12/2000	Reed
D498,787 S	11/2004	Nelms
6,812,958 B1	11/2004	Silvester
D501,111 S	1/2005	Lan
7,061,536 B2	6/2006	Cha
D532,240 S	11/2006	Pressier
D532,640 S	11/2006	Pressier
7,239,806 B2	7/2007	Chen
7,431,983 B2	10/2008	Amano
7,435,018 B2	10/2008	Huang
7,438,486 B2	10/2008	Ho
7,563,040 B2	7/2009	Tsai
7,581,893 B2	9/2009	Miramontes
D611,333 S	3/2010	Sanders
7,677,815 B2	3/2010	Garcia
D628,774 S	12/2010	Sykes
D633,507 S	3/2011	Nelson
D638,526 S	5/2011	Newman
7,964,259 B2	6/2011	Koshu
7,973,856 B2	7/2011	Lee
D643,457 S	8/2011	DeLong
D650,408 S	12/2011	Kim
D659,403 S	5/2012	Lerman
8,242,924 B2	8/2012	Huang
D669,112 S	10/2012	Gustaveson
8,471,956 B2	6/2013	Fortman
8,496,390 B2	7/2013	Ohuchi
D708,248 S	7/2014	Son
D708,657 S	7/2014	Gustaveson
8,780,205 B2	7/2014	Boutell
D718,803 S	12/2014	Smith
D720,382 S	12/2014	Szarawarski
D721,396 S	1/2015	Gustaveson
D740,773 S	10/2015	Bang
D745,469 S	11/2015	Farnum
9,197,850 B2	11/2015	Koberling
9,305,538 B2	4/2016	Tyson
9,307,129 B2	4/2016	Oh
D756,443 S	5/2016	Ju

(51) **LOC (11) Cl.** ..... **16-05**

(52) **U.S. Cl.**  
USPC ..... **D16/237**

(58) **Field of Classification Search**  
USPC ..... D16/208, 213-219, 235, 237-250;  
D14/217, 229, 250-253; D8/363, 373,  
D8/394  
CPC ..... G03B 17/02-17/04; G03B 17/14; G03B  
17/56; G03B 17/561-17/568; G03B



D759,645	S	6/2016	Penn	
D760,677	S	7/2016	Tsushima	
D763,843	S	8/2016	Gustaveson	
D764,474	S	8/2016	Penn	
9,465,276	B2	10/2016	Jonsson	
D782,562	S	3/2017	Gustaveson	
9,829,770	B1 *	11/2017	Gustaveson, II ....	G03B 11/048
D810,089	S *	2/2018	Kuo .....	D14/440
2005/0068423	A1	3/2005	Bear et al.	
2008/0100713	A1	5/2008	Liu	
2009/0252487	A1	10/2009	Matsumoto	
2009/0284635	A1	11/2009	Sung	
2010/0102979	A1	4/2010	Huang	
2011/0058255	A1	3/2011	Weiss	
2011/0115924	A1	5/2011	Yu	
2011/0182029	A1	7/2011	Wu	
2013/0088639	A1	4/2013	Mundt	
2014/0198439	A1	7/2014	De Pietro	
2014/0220269	A1	8/2014	Ogufere	
2015/0015777	A1	1/2015	Osbourne	
2015/0059251	A1	3/2015	Rinner	
2015/0163385	A1	6/2015	Haddad	
2016/0105598	A1	4/2016	Zeira	
2016/0142594	A1	5/2016	Luttrell	
2016/0161830	A1	6/2016	Gonzalez	
2016/0323491	A1	11/2016	Al Marzouqi	
2017/0329206	A1	11/2017	Perkey	
2018/0059510	A1	3/2018	Gustaveson	

FOREIGN PATENT DOCUMENTS

CN	201114394	9/2008
CN	101980099	2/2011
EM	003566330-0001	1/2017
ES	1076643	4/2012
ES	1077518	8/2012
JP	2001309003	11/2001
JP	2004055630	2/2004
JP	2004072436	3/2004
JP	2004275434	10/2004
JP	2004309964	11/2004
JP	2005227445	8/2005
JP	2005275074	10/2005
JP	2005323049	11/2005
JP	2005345576	12/2005
JP	2009271407	11/2009
JP	2010210936	9/2010
KR	20040070899	8/2004
KR	20050015787	2/2005
KR	200405362	1/2006
KR	20060106527	10/2006
KR	20100003957	1/2010
KR	20100003957	4/2010
WO	2009137600	11/2009

OTHER PUBLICATIONS

Promotional Peep Black Webcam Cover for Smartphones. Online, published date unknown. Retrieved on Feb. 22, 2018 from URL: <http://www.promo-brand.co.uk/products/technology-and-gadgets/computer-accessories/147-Promotional%20Peep%20Black%20Webcam%20Cover/promotional-peep-black-webcam-cover-for-smartphones-tablets-and-la>.\*

Webcam cover—Heart. Online, published date unknown. Retrieved on Feb. 22, 2018 from URL: <http://www.colormotion.com.hk/colormotion-household-webcam-covers/1152-webcam-cover-heart.html>.\*

Notice of Allowance for U.S. Appl. No. 29/520,343 dated Jun. 29, 2016.

Notice of Allowance for U.S. Appl. No. 29/548,560 dated Nov. 27, 2016.

Webcam Cover Black. [online] Published date unknown. Retrieved on Oct. 28, 2016 from <URL:<http://thewebcamcovers.com/shop/webcamcover-black/>>.

Notice of Allowance for U.S. Appl. No. 29/385,909 dated Aug. 29, 2012.

<http://webcamcovers.blogspot.com/2012/09/c-slide-webcam-cover-patent-recieves.html> Company Release: Sep. 18, 2012 Retrieved on: Feb. 26, 2014”.

“[http://www.amazon.com/Webcam-Cover-Laptops-Pad-Devices/dp/B004ZOXS6Y/ref=sr\\_1\\_2?s=electronics&ie=UTF8&qid=1393520771&sr=1-2&keywords=webcam+covers](http://www.amazon.com/Webcam-Cover-Laptops-Pad-Devices/dp/B004ZOXS6Y/ref=sr_1_2?s=electronics&ie=UTF8&qid=1393520771&sr=1-2&keywords=webcam+covers) Available on Amazon beginning May 3, 2011 Retrieved on: Feb. 26, 2014”.

“[http://www.ebay.com/itm/Webcam-Cover-also-known-as-webcam-shutter-webcam-shutter-fits-all-laptops-/160917145450#ht\\_2076wt\\_1358](http://www.ebay.com/itm/Webcam-Cover-also-known-as-webcam-shutter-webcam-shutter-fits-all-laptops-/160917145450#ht_2076wt_1358) On E-Bay beginning Jan. 26, 2012 Retrieved on: Feb. 26, 2014”.

Notice of allowance for U.S. Appl. No. 29/433,900 dated Mar. 10, 2014.

Ex Parte Quayle Action for U.S. Appl. No. 29/473,247 dated Aug. 5, 2014.

Restriction Requirement in U.S. Appl. No. 29/564,477 dated May 16, 2017.

PM: Webcam-Cover des Start-ups Privoo ab Juli im Handel. [online] published date Apr. 24, 2017. Retrieved on Apr. 29, 2017 from <URL:<http://unternehmen-heute.de/news.php?newsid=426363>>.

Swivel Webcam Cover silver.[online] published date unknown. Retrieved on Apr. 29, 2017 from ,URL:<http://www.intraco.nl/en/verkoop-andere-producten/swivel-webcam-cover-silver/>>.

Early Spyslide 1-Pack Indiegogo Price. [online] published date unknown. Retrieved on Apr. 29, 2017 from <URL:<https://spyfy.com/product/spyslide-webcam-cover-1-pack-indiegogo/?lang=en>>.

Office Action in U.S. Appl. No. 15/433,151 dated Jul. 11, 2017.

Ex Parte Quayle Action for U.S. Appl. No. 29/585,474 dated Jul. 13, 2017.

Ex Parte Quayle Action for U.S. Appl. No. 29/567,669 dated Jul. 12, 2017.

Webcamcover 2.0 black. [online] Published date unknown. Retrieved on Jun. 12, 2017 from <URL:<https://thewebcamcovers.com/product/webcamcover-2-0-black/>>.

“Screen Cleaner Pad for Mobile Phones AllAccessories”, Publish Date: Sep. 12, 2011, Access Date: Sep. 26, 2017 from <<https://www.youtube.com/watch?v=7TFoI-ceBUw>>.

“DigiClean Plus Microfiber Screen Cleaners”, Publish Date: Aug. 30, 2011, Access Date: Sep. 26, 2017, from <<https://www.youtube.com/watch?v=-LWFp8Z-fzA>>.

“DigiClean Plus Mobile Phone Screen Cleaner / Wipe Stickers”, Publish Date: Jun. 29, 2012, Access Date: Sep. 26, 2017, from <<https://www.youtube.com/watch?v=EHK9UWFUGa0>>.

Non-Final Office Action for U.S. Appl. No. 15/806,033 dated May 15, 2018.

\* cited by examiner

Primary Examiner — Karen S Acker  
 Assistant Examiner — Omeed Agilee  
 (74) Attorney, Agent, or Firm — Workman Nydegger

(57) CLAIM

The ornamental design for a webcam cover with stone element, as shown and described.

DESCRIPTION

FIG. 1 is a front perspective view of my new design for a webcam cover with stone element;  
 FIG. 2 is a front elevational view thereof;  
 FIG. 3 is a top plan view thereof;  
 FIG. 4 is a bottom plan view thereof;  
 FIG. 5 is a right elevational view thereof;  
 FIG. 6 is a left elevational view;  
 FIG. 7 is a rear elevational view thereof; and,  
 FIG. 8 is a top, front, right perspective exploded view thereof showing the illustrated slider isolated from the base. In FIGS. 1, 2 and 8 showing the front of the cover, the broken lines and the bottom plane surrounding the solid line



circles and the stone element depict portions of the webcam cover with stone element that form no part of the claimed design. The broken lines illustrating a laptop in FIG. 1 depict environmental subject matter that forms no part of the claimed design.

**1 Claim, 4 Drawing Sheets**

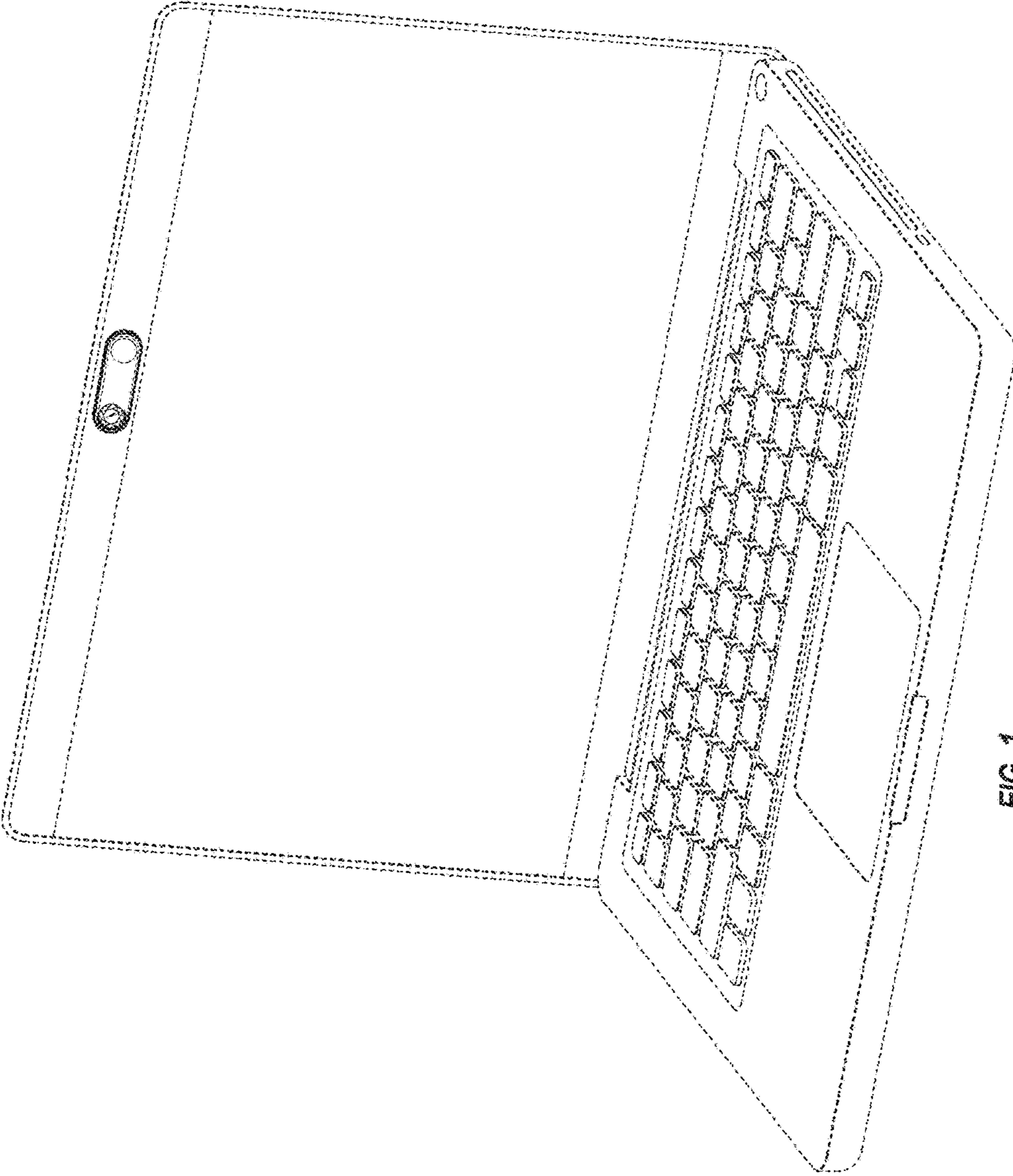


FIG. 1

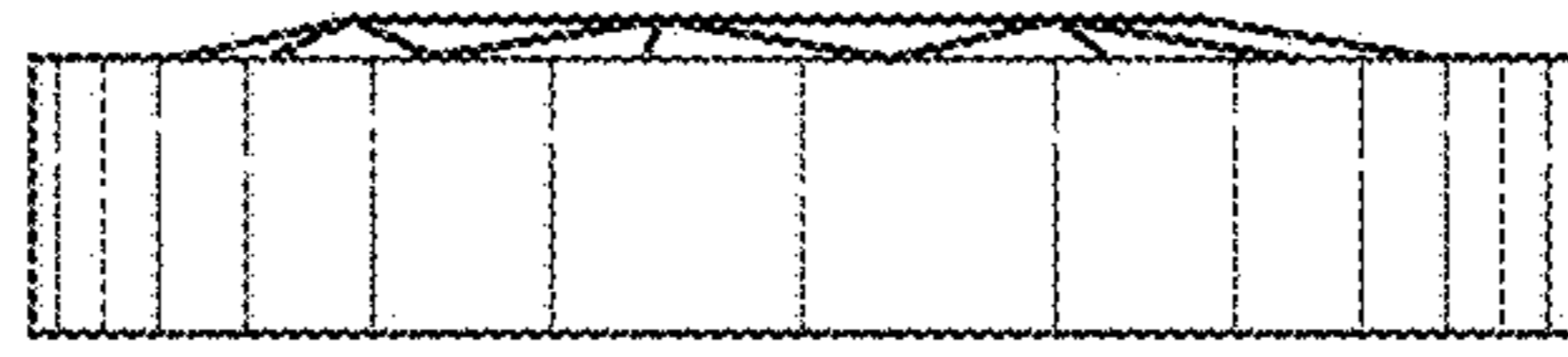


FIG. 5



FIG. 4

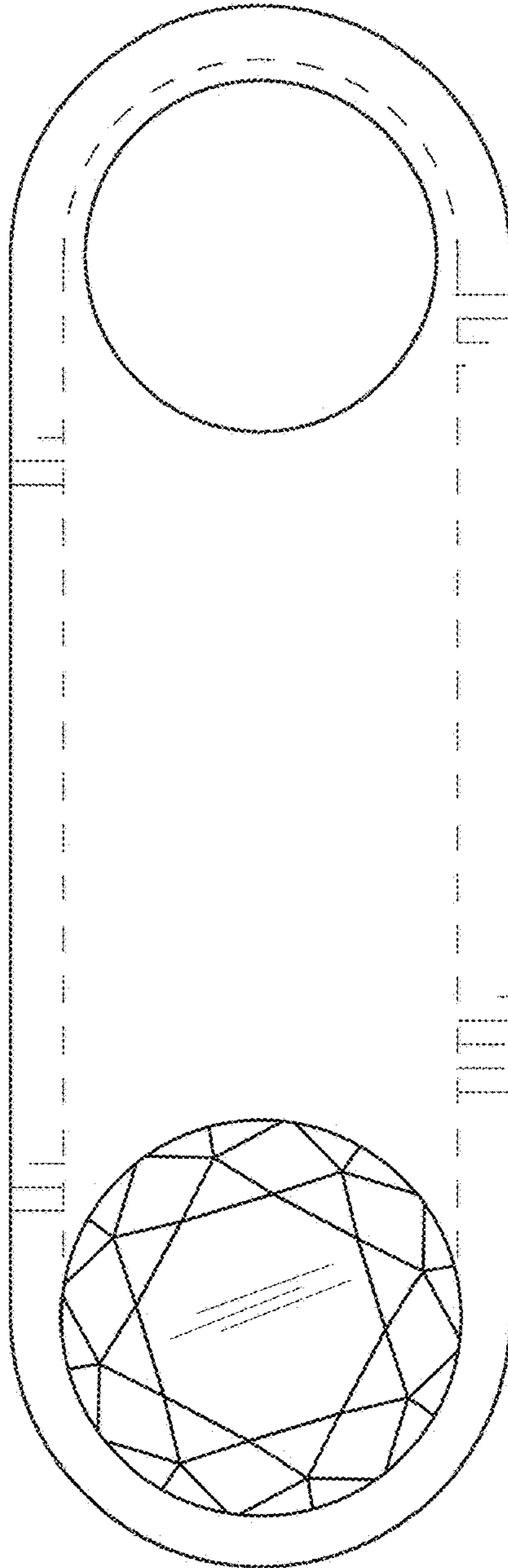


FIG. 2



FIG. 3



FIG. 6

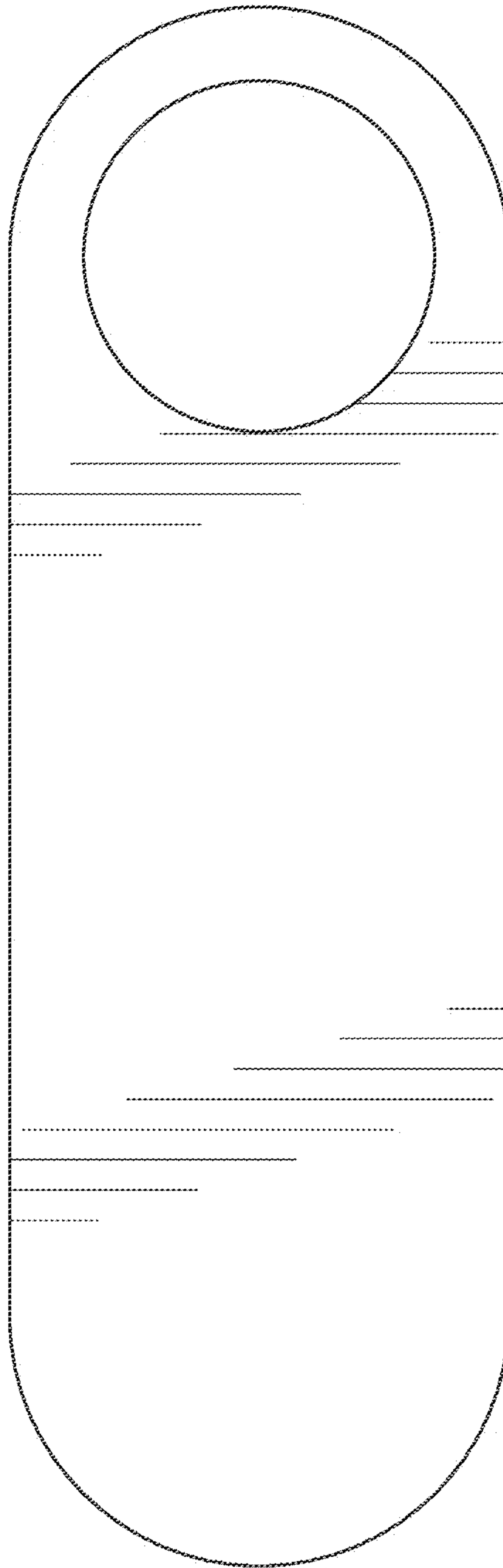


FIG. 7

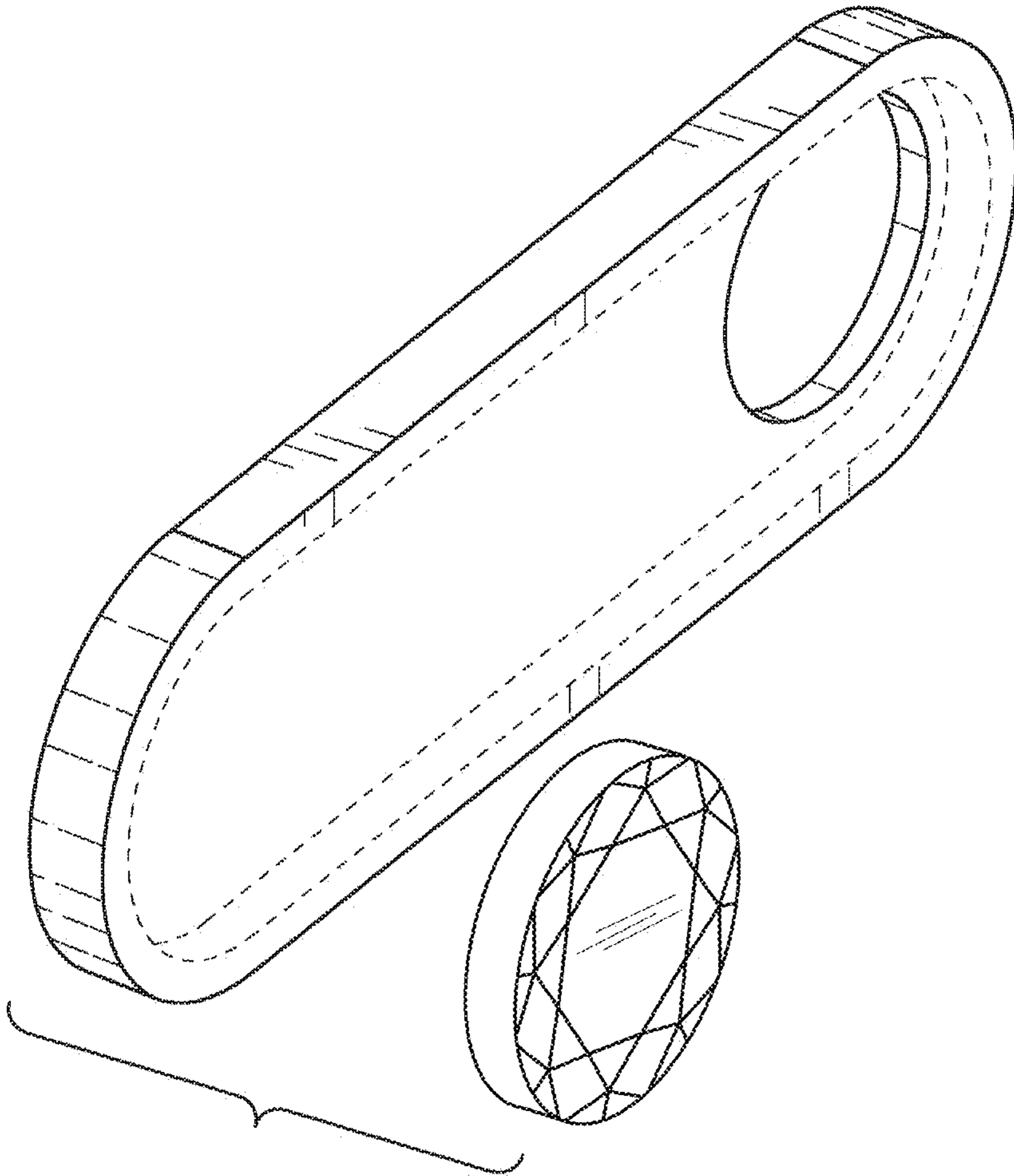


FIG. 8