



US00D836153S

(12) **United States Design Patent**
Imai

(10) **Patent No.:** **US D836,153 S**
(45) **Date of Patent:** **** Dec. 18, 2018**

(54) **FINDER FOR CAMERA**

(71) Applicant: **FUJIFILM Corporation**, Tokyo (JP)

(72) Inventor: **Masazumi Imai**, Saitama (JP)

(73) Assignee: **FUJIFILM Corporation**, Minato-Ku,
Tokyo (JP)

(**) Term: **15 Years**

(21) Appl. No.: **29/595,292**

(22) Filed: **Feb. 27, 2017**

(30) **Foreign Application Priority Data**

Aug. 31, 2016 (JP) 2016-018673

(51) **LOC (11) Cl.** **16-05**

(52) **U.S. Cl.**
USPC **D16/220**

(58) **Field of Classification Search**
USPC D16/200-220, 131
CPC ... G02B 7/02; G02B 7/04; G02B 7/14; G02B
3/14; G03B 17/00; G03B 17/02; G03B
17/56; G03B 17/04; G03B 17/14; G03B
15/03; G03B 9/08; H04N 5/2251; H04N
5/2252; H04N 5/2253; H04N 5/2254;
H04N 7/00; H04N 2101/00; F16M 13/00
See application file for complete search history.

(56) **References Cited**

U.S. PATENT DOCUMENTS

D283,713 S * 5/1986 Maitani D16/217
D284,287 S * 6/1986 Kato D16/217
D284,384 S * 6/1986 Kato D16/217
D294,590 S * 3/1988 Goto D16/217

D306,742 S * 3/1990 Goto D16/217
D311,015 S * 10/1990 Alie D16/202
D317,929 S * 7/1991 Tanaka D16/217
D318,678 S * 7/1991 Tanaka D16/217
D418,531 S * 1/2000 Hayashi D16/220
D487,105 S * 2/2004 Takahashi D16/202
D491,593 S * 6/2004 Haga D16/202
D629,826 S * 12/2010 Funakoshi D16/220
D671,588 S * 11/2012 Couch, III D16/219
D732,099 S * 6/2015 Nagaoka D16/202
D746,351 S * 12/2015 Sogabe D16/202
D777,233 S * 1/2017 Sakai D16/202
D809,046 S * 1/2018 Hatcher D16/202
2017/0318204 A1 * 11/2017 Taniguchi G02B 7/16

* cited by examiner

Primary Examiner — Jeffrey D Asch

Assistant Examiner — Mary C Ramirez

(74) *Attorney, Agent, or Firm* — Sughrue Mion, PLLC

(57) **CLAIM**

The ornamental design for a finder for camera, as shown and described.

DESCRIPTION

FIG. 1 is a front, right perspective view of a finder for camera showing the new design;
FIG. 2 is a rear, left perspective view thereof;
FIG. 3 is a rear view thereof;
FIG. 4 is a front view thereof;
FIG. 5 is a top view thereof;
FIG. 6 is a bottom view thereof;
FIG. 7 is a left side view thereof; and,
FIG. 8 is a right side view thereof.

The broken lines shown in the drawings depict portions of the finder for camera that form no part of the claimed design.

1 Claim, 6 Drawing Sheets

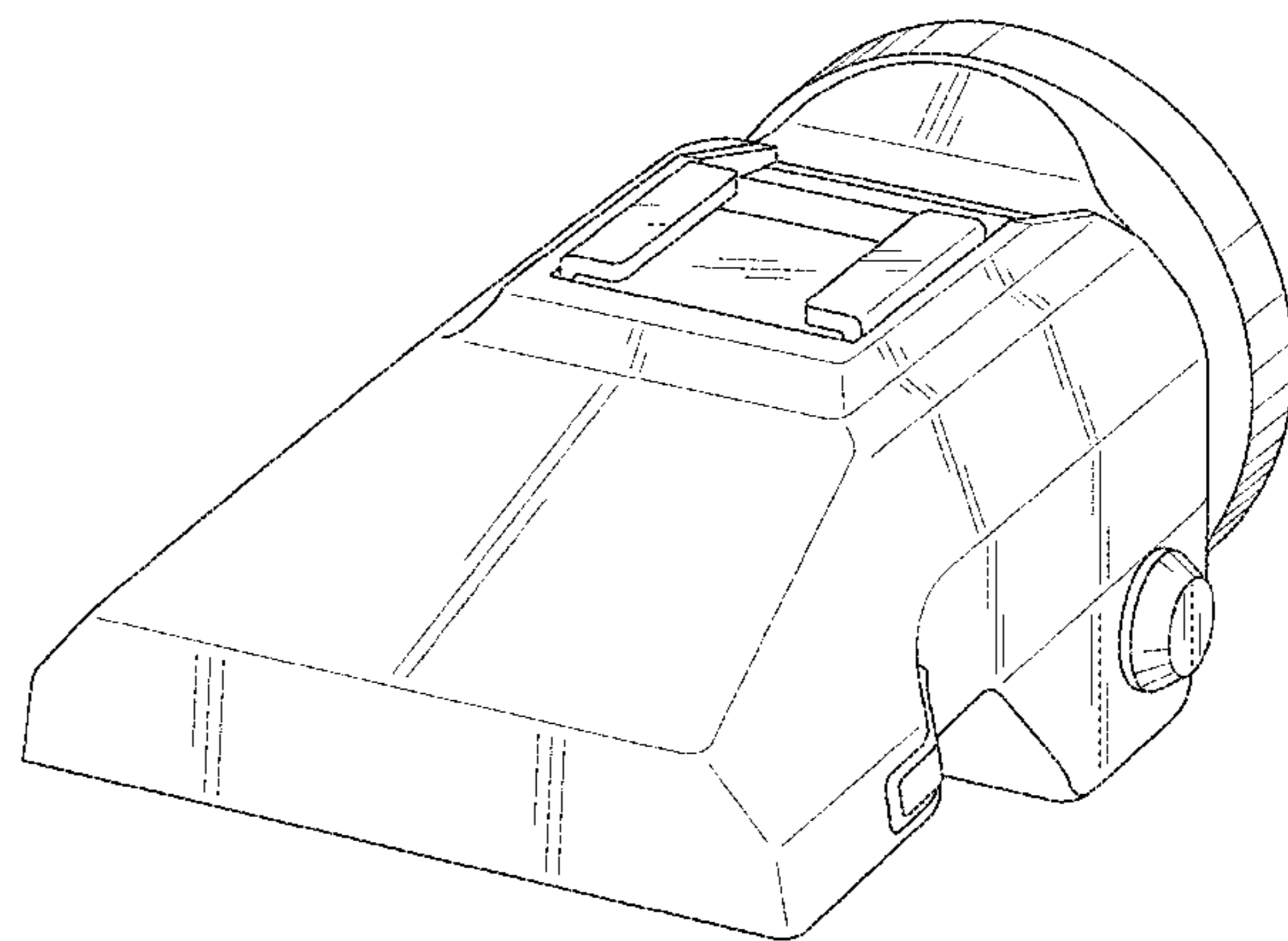
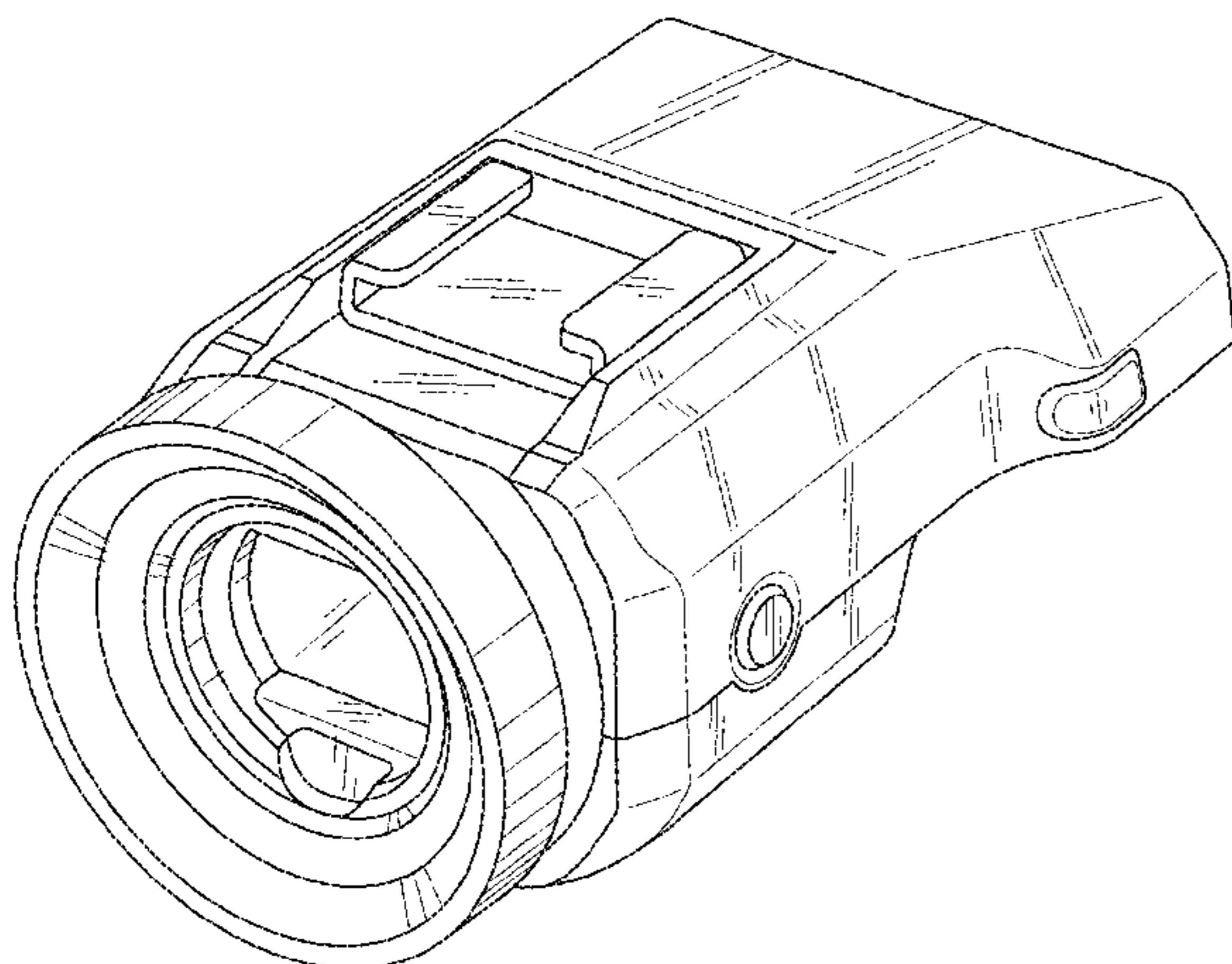


FIG. 1

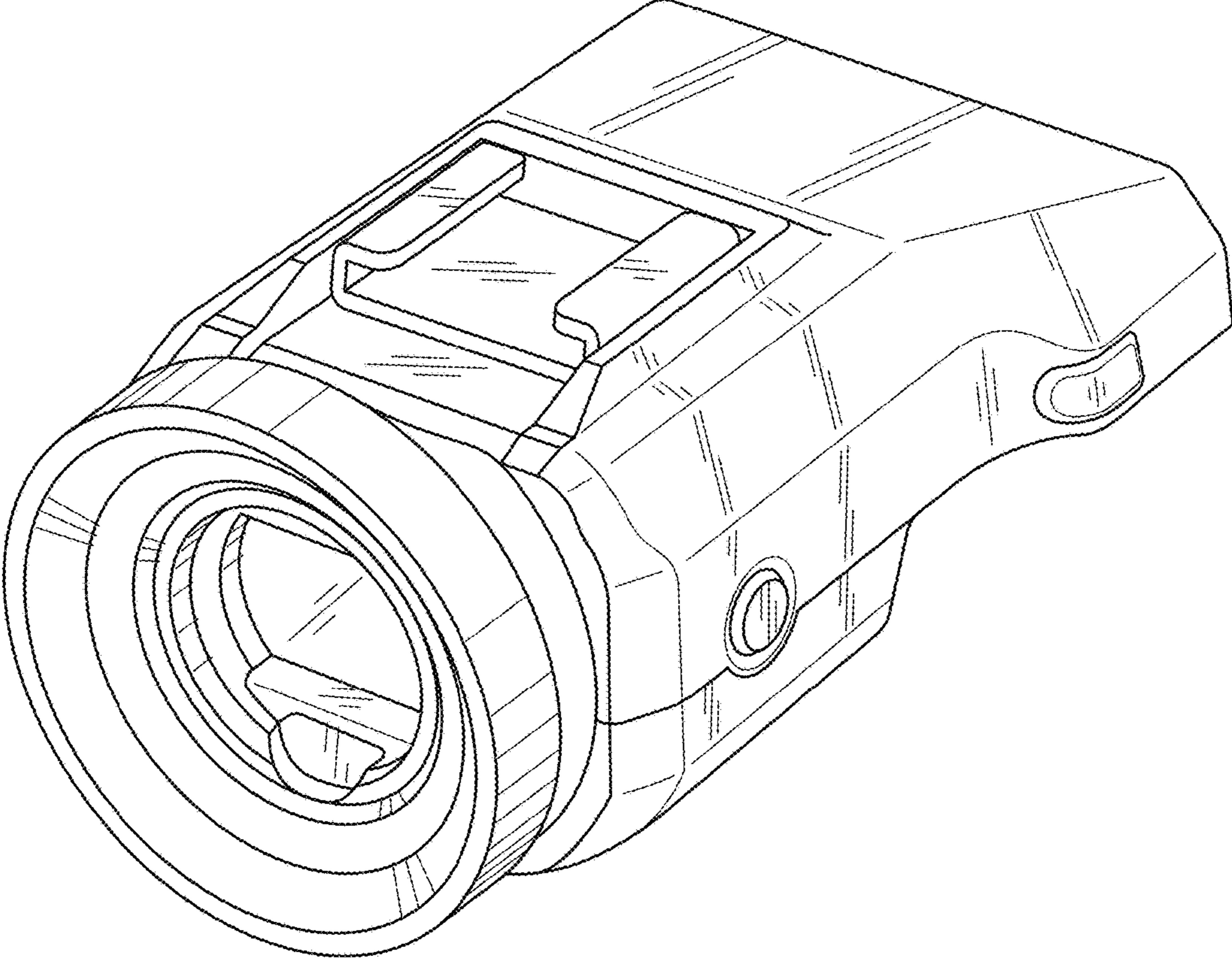


FIG. 2

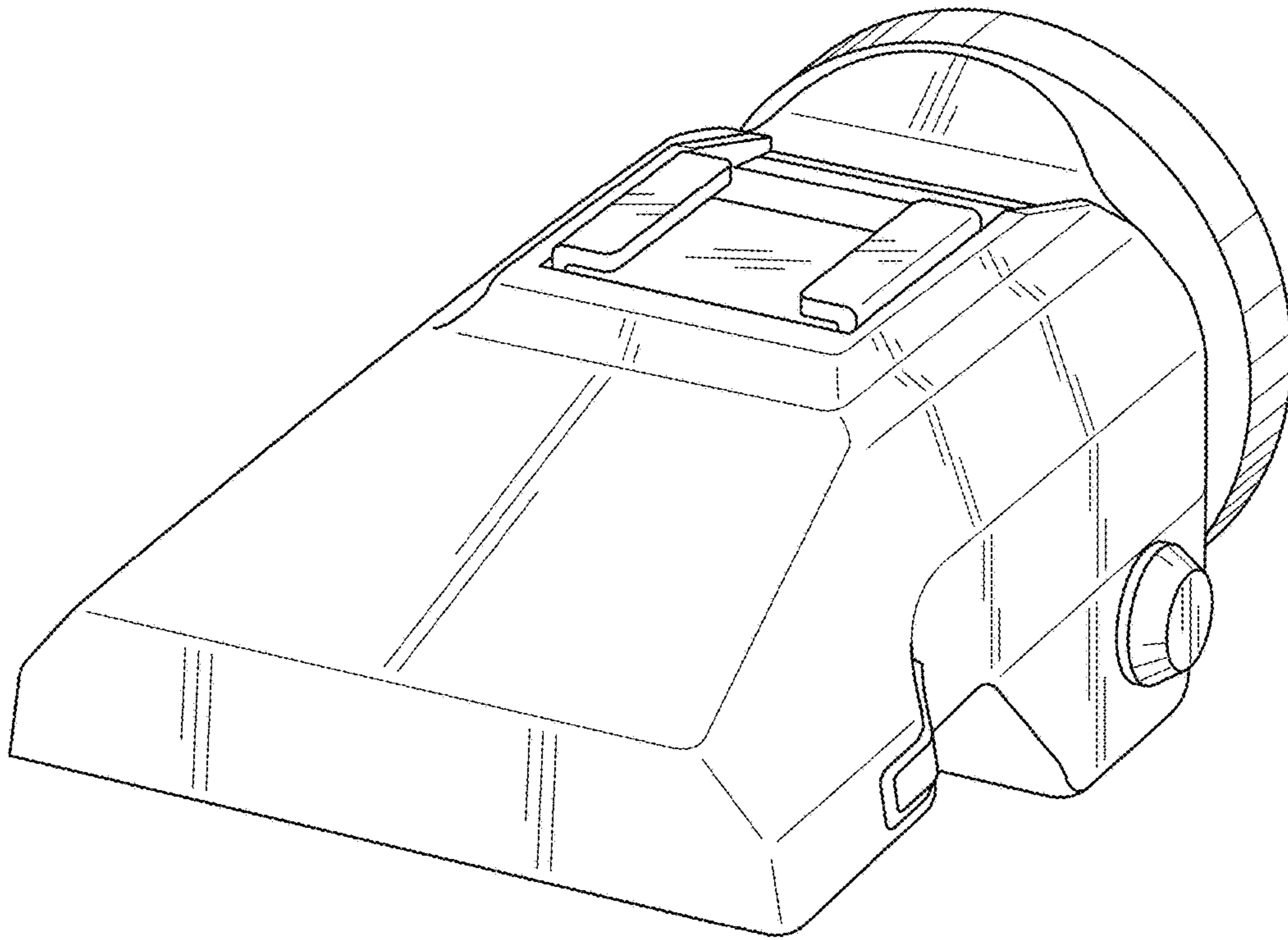


FIG. 3

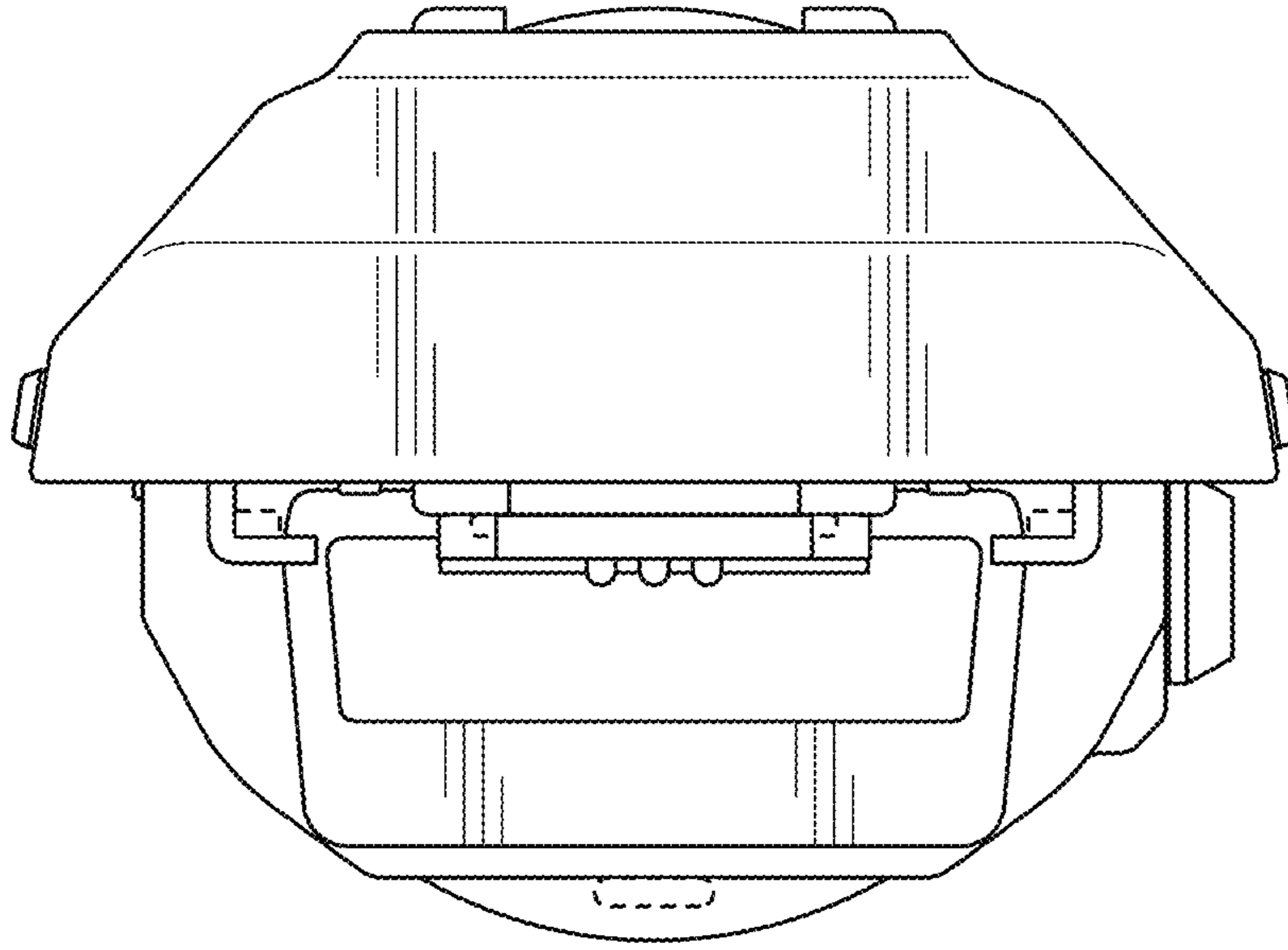


FIG. 4

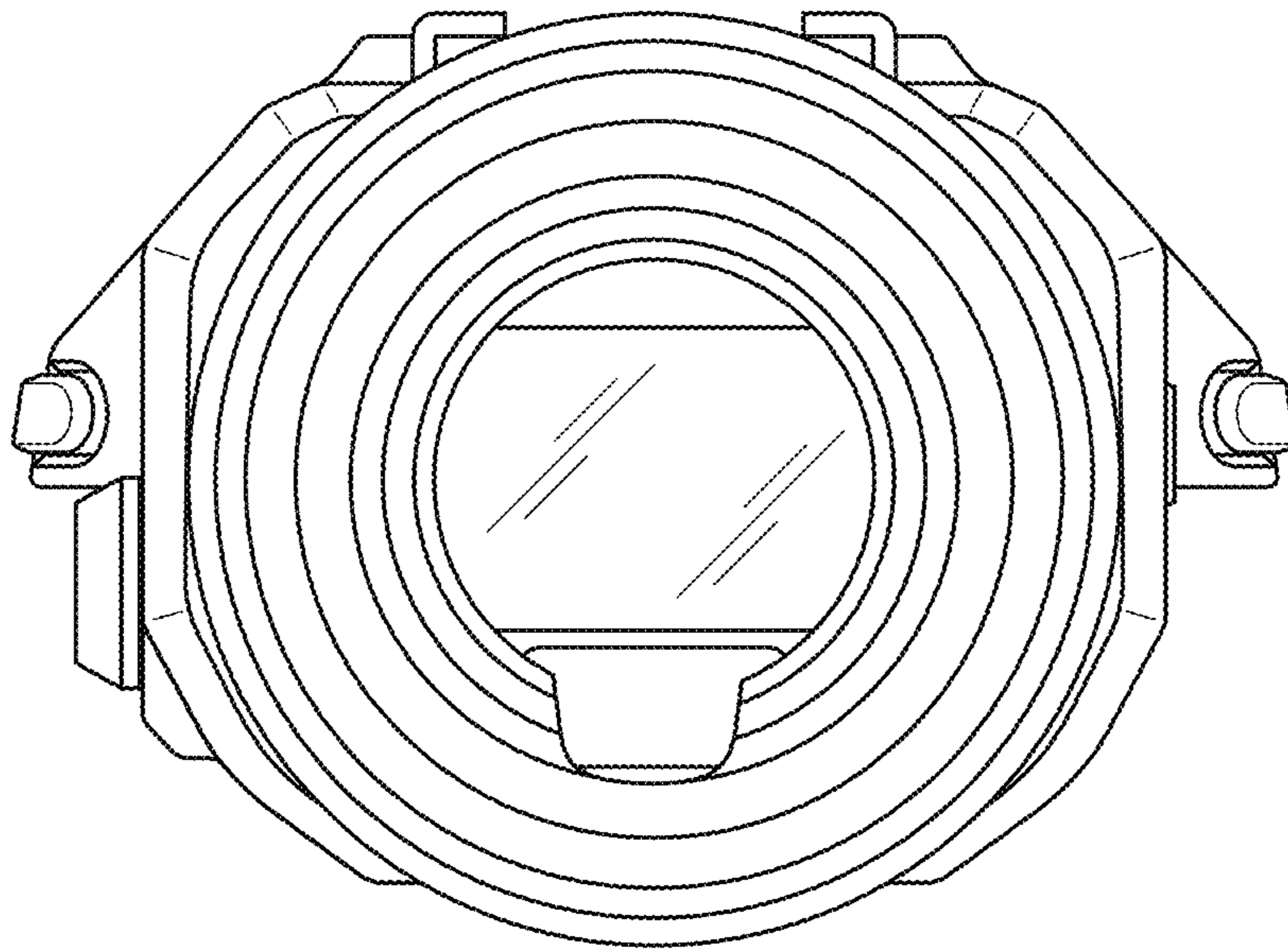


FIG. 5

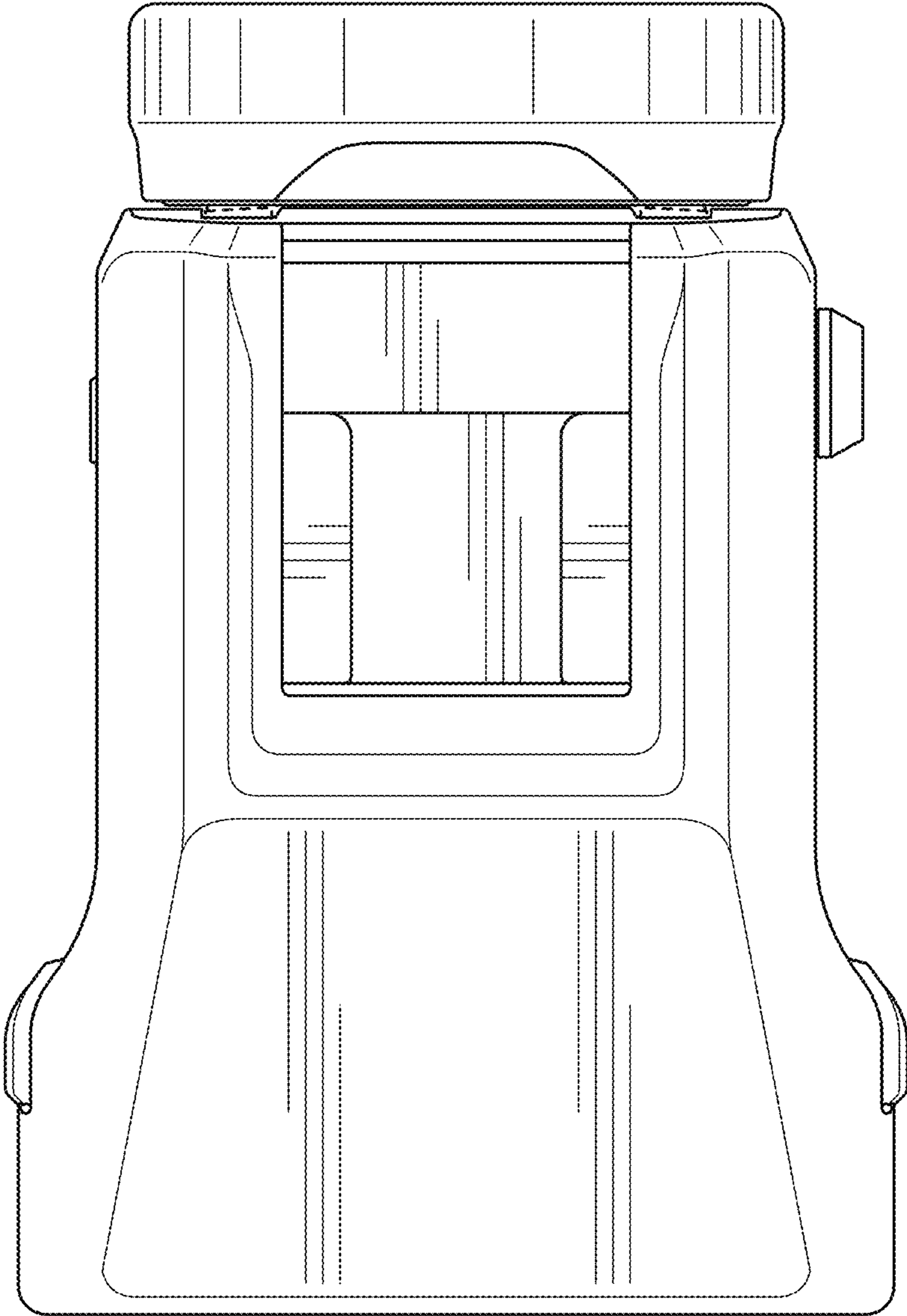


FIG. 6

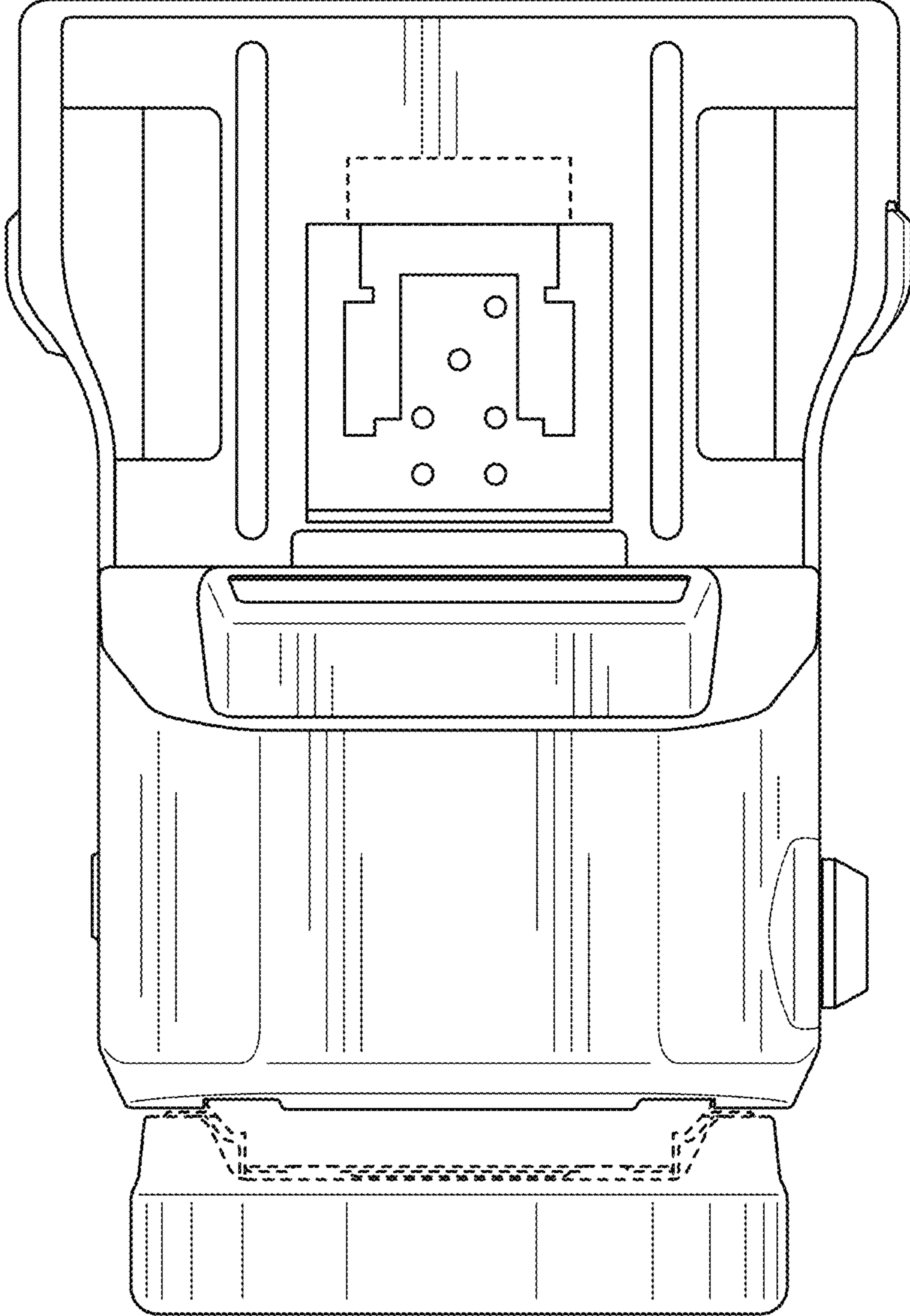


FIG. 7

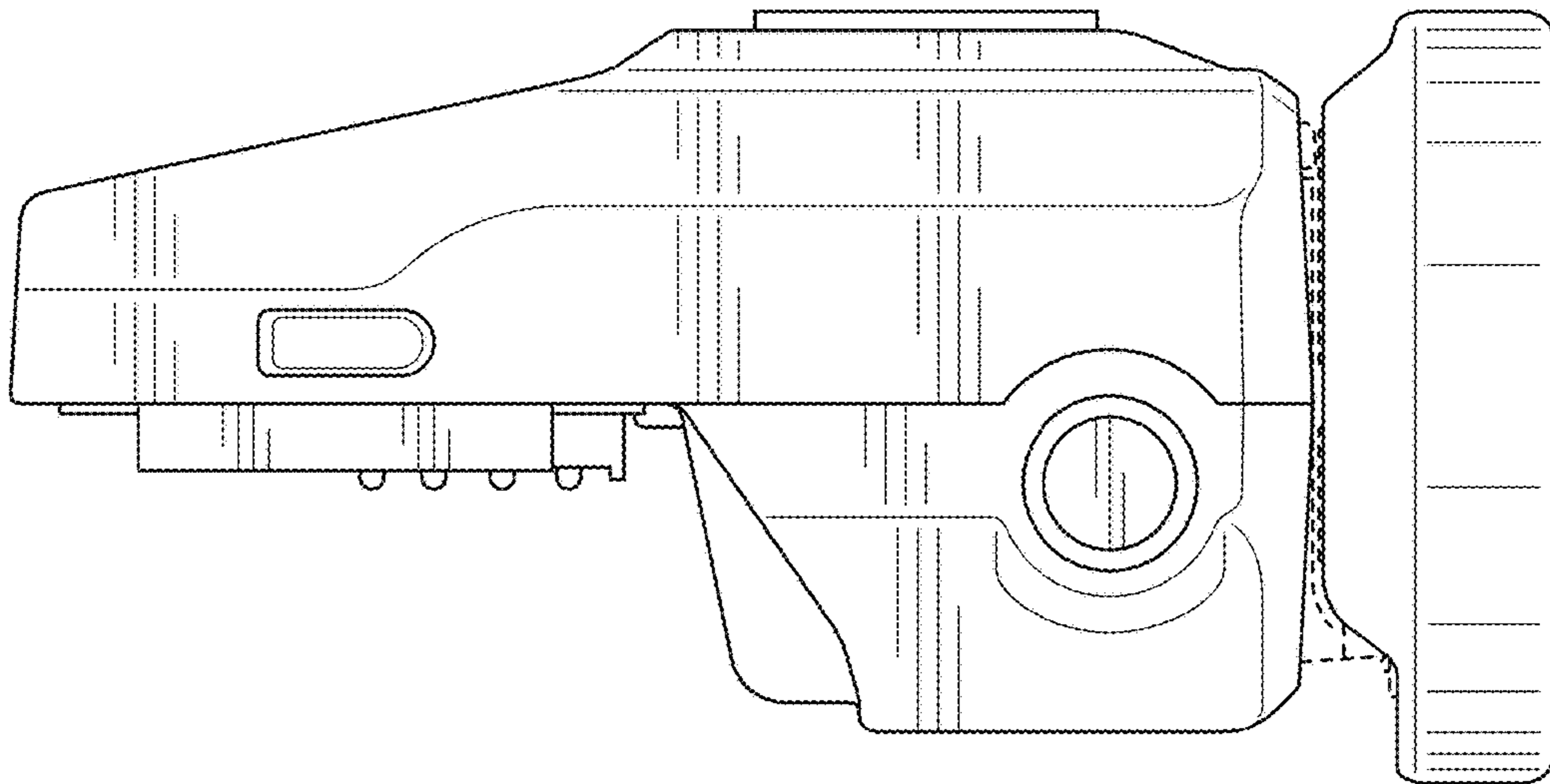


FIG. 8

