



US00D836152S

(12) **United States Design Patent**
Ikegame

(10) **Patent No.:** **US D836,152 S**

(45) **Date of Patent:** **** Dec. 18, 2018**

(54) **LENS FOR CAMERA**

(71) Applicant: **FUJIFILM Corporation**, Tokyo (JP)

(72) Inventor: **Haruka Ikegame**, Saitama (JP)

(73) Assignee: **FUJIFILM Corporation**, Minato-ku,
Tokyo (JP)

(**) Term: **15 Years**

(21) Appl. No.: **29/595,282**

(22) Filed: **Feb. 27, 2017**

(30) **Foreign Application Priority Data**

Aug. 31, 2016 (JP) 2016-018648

Aug. 31, 2016 (JP) 2016-018650

Aug. 31, 2016 (JP) 2016-018651

(51) **LOC (11) Cl.** **16-05**

(52) **U.S. Cl.**
USPC **D16/219**

(58) **Field of Classification Search**
USPC D16/200–220, 131
CPC ... G02B 7/02; G02B 7/04; G02B 7/14; G02B
3/14; G03B 17/00; G03B 17/02; G03B
17/56; G03B 17/04; G03B 17/14; G03B
15/03; G03B 9/08; H04N 5/2251; H04N
5/2252; H04N 5/2253; H04N 5/2254;
H04N 7/00; H04N 2101/00; F16M 13/00
See application file for complete search history.

(56) **References Cited**

U.S. PATENT DOCUMENTS

D262,713 S * 1/1982 Kato D16/218
D305,769 S * 1/1990 Swayze D16/202
D315,357 S * 3/1991 Fukutomi D16/202
D412,922 S * 8/1999 Sekine D16/134
D557,304 S * 12/2007 Hayashi D16/202

D562,863 S * 2/2008 Yasutomi D16/134
D562,864 S * 2/2008 Yasutomi D16/134
D684,208 S * 6/2013 Lee D16/219
D688,292 S * 8/2013 Koyama D16/219
D696,709 S * 12/2013 Sato D16/219
D718,361 S * 11/2014 Noh D16/219
D737,360 S * 8/2015 Jung D16/219
D741,937 S * 10/2015 Park D16/219
D743,471 S * 11/2015 Oh D16/134
D744,025 S * 11/2015 Oh D16/134
D745,590 S * 12/2015 Oh D16/134
D763,942 S * 8/2016 Yoon D16/219
D768,224 S * 10/2016 Kim D16/219
D783,078 S * 4/2017 Kim D16/219
D791,210 S * 7/2017 Mori D16/202
9,733,449 B2 * 8/2017 Yano G02B 7/14
9,791,660 B2 * 10/2017 Takeshita G02B 7/04
2008/0013194 A1 * 1/2008 Dowell G02B 7/02
359/815
2008/0018782 A1 * 1/2008 Terakado H04N 5/2252
348/376

(Continued)

Primary Examiner — Jeffrey D Asch

Assistant Examiner — Mary C Ramirez

(74) *Attorney, Agent, or Firm* — Sughrue Mion, PLLC

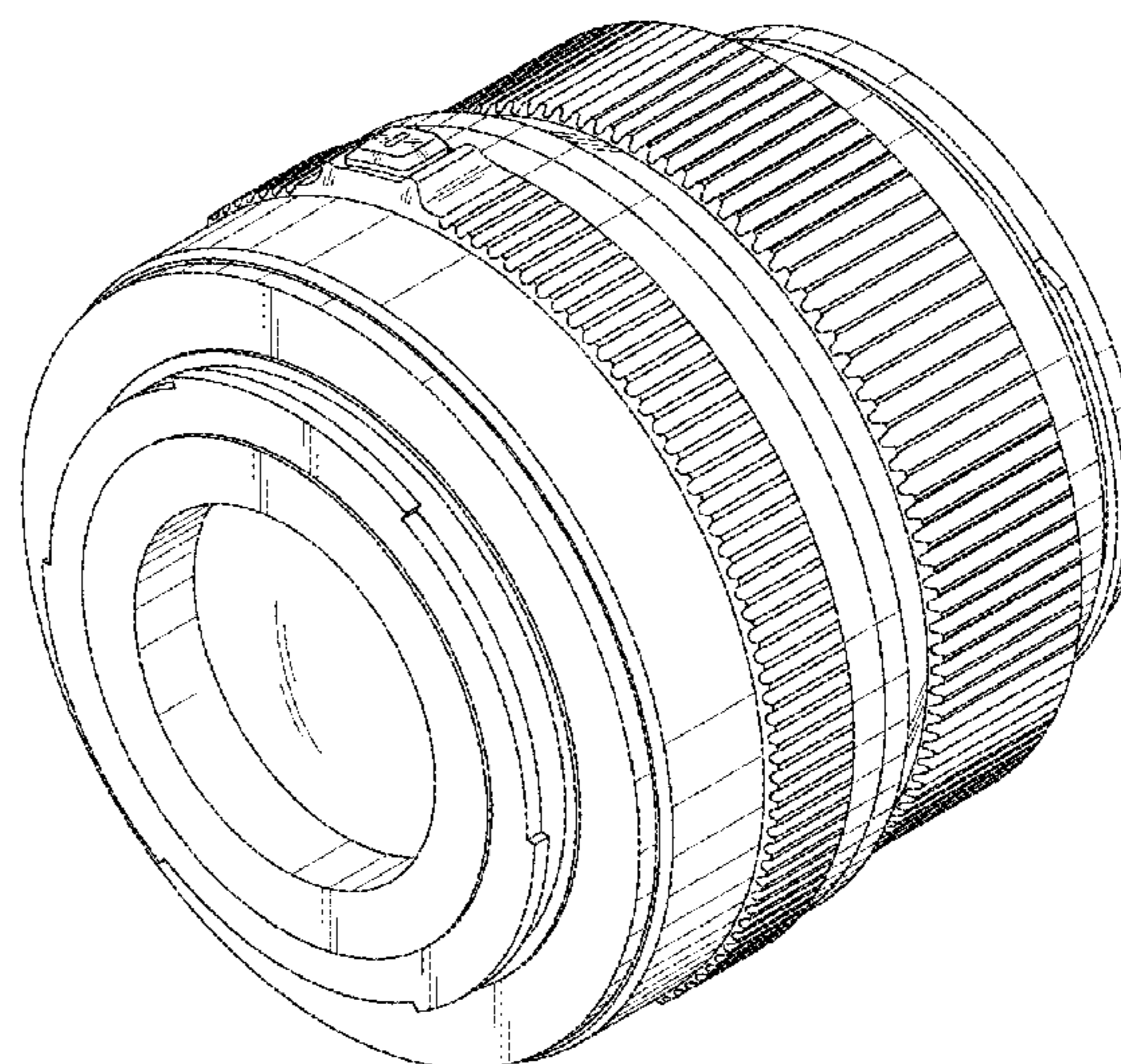
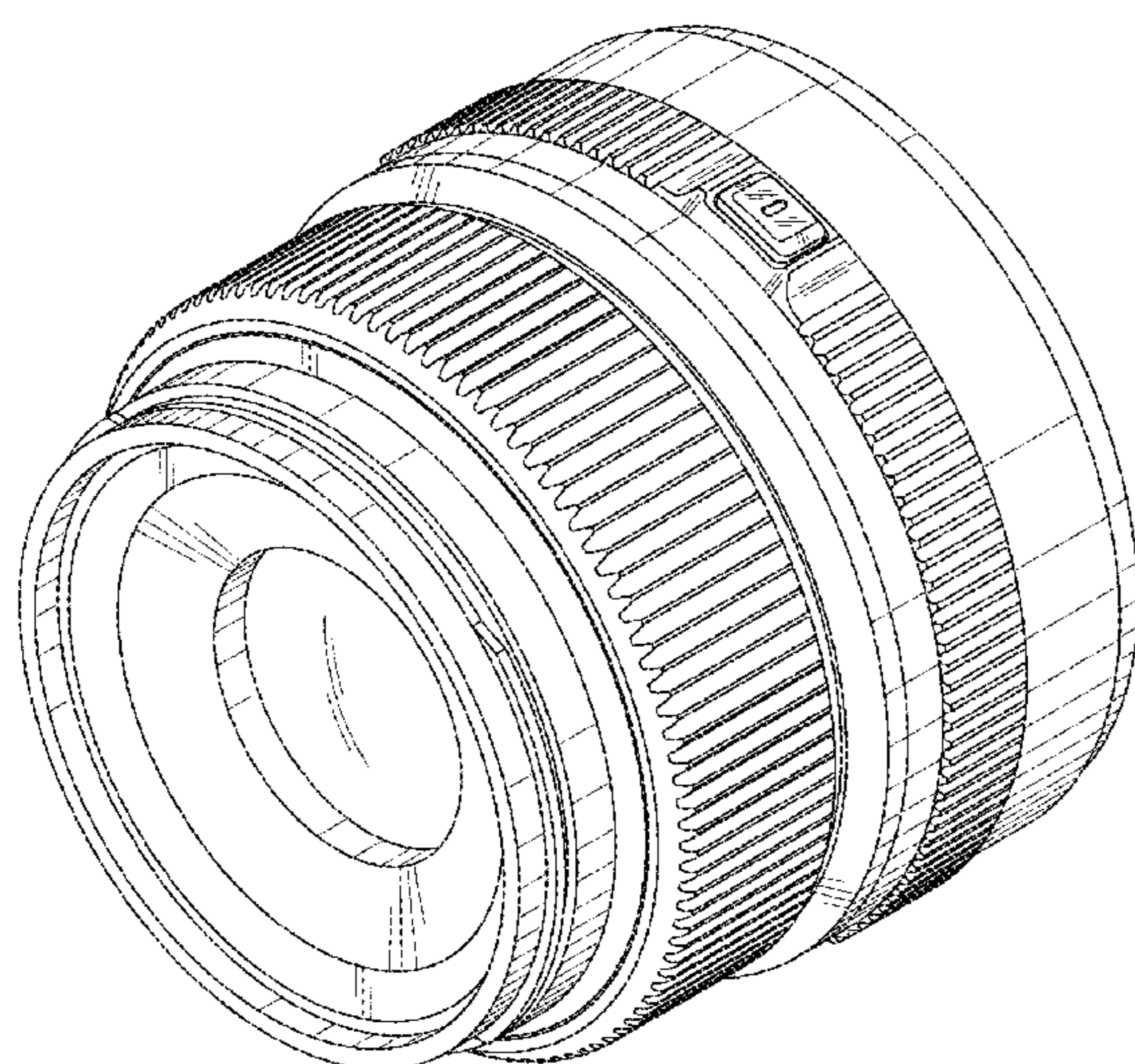
(57) **CLAIM**

The ornamental design for a lens for camera, as shown and described.

DESCRIPTION

FIG. 1 is a front, right perspective view of a lens for camera showing the new design;
FIG. 2 is a rear, left perspective view thereof;
FIG. 3 is a front view thereof;
FIG. 4 is a rear view thereof;
FIG. 5 is a top view thereof;
FIG. 6 is a bottom view thereof;
FIG. 7 is a right side view thereof; and,
FIG. 8 is a left side view thereof.

1 Claim, 8 Drawing Sheets



(56)

References Cited

U.S. PATENT DOCUMENTS

2009/0051806 A1* 2/2009 Haubmann G03B 17/14
 348/347
 2009/0244355 A1* 10/2009 Horie G02B 5/22
 348/340
 2010/0014851 A1* 1/2010 Furuyama G02B 7/102
 396/531
 2010/0061716 A1* 3/2010 Iyoda G03B 17/14
 396/535
 2011/0317062 A1* 12/2011 Fujino G02B 7/02
 348/360
 2013/0088632 A1* 4/2013 Korekuni H04N 5/23209
 348/335
 2013/0271647 A1* 10/2013 Ohtsuka G10K 11/175
 348/360
 2014/0055671 A1* 2/2014 Kawamura H04N 5/2252
 348/374
 2014/0104453 A1* 4/2014 Fujinawa H04N 5/23219
 348/222.1
 2014/0168798 A1* 6/2014 Ejima G03B 43/00
 359/822
 2015/0116535 A1* 4/2015 Wu H04N 9/735
 348/224.1
 2017/0099428 A1* 4/2017 Okuyama H04N 5/23212
 2017/0184810 A1* 6/2017 Shinano G02B 7/10
 2017/0351051 A1* 12/2017 Kawamura G02B 9/60

* cited by examiner

FIG. 1

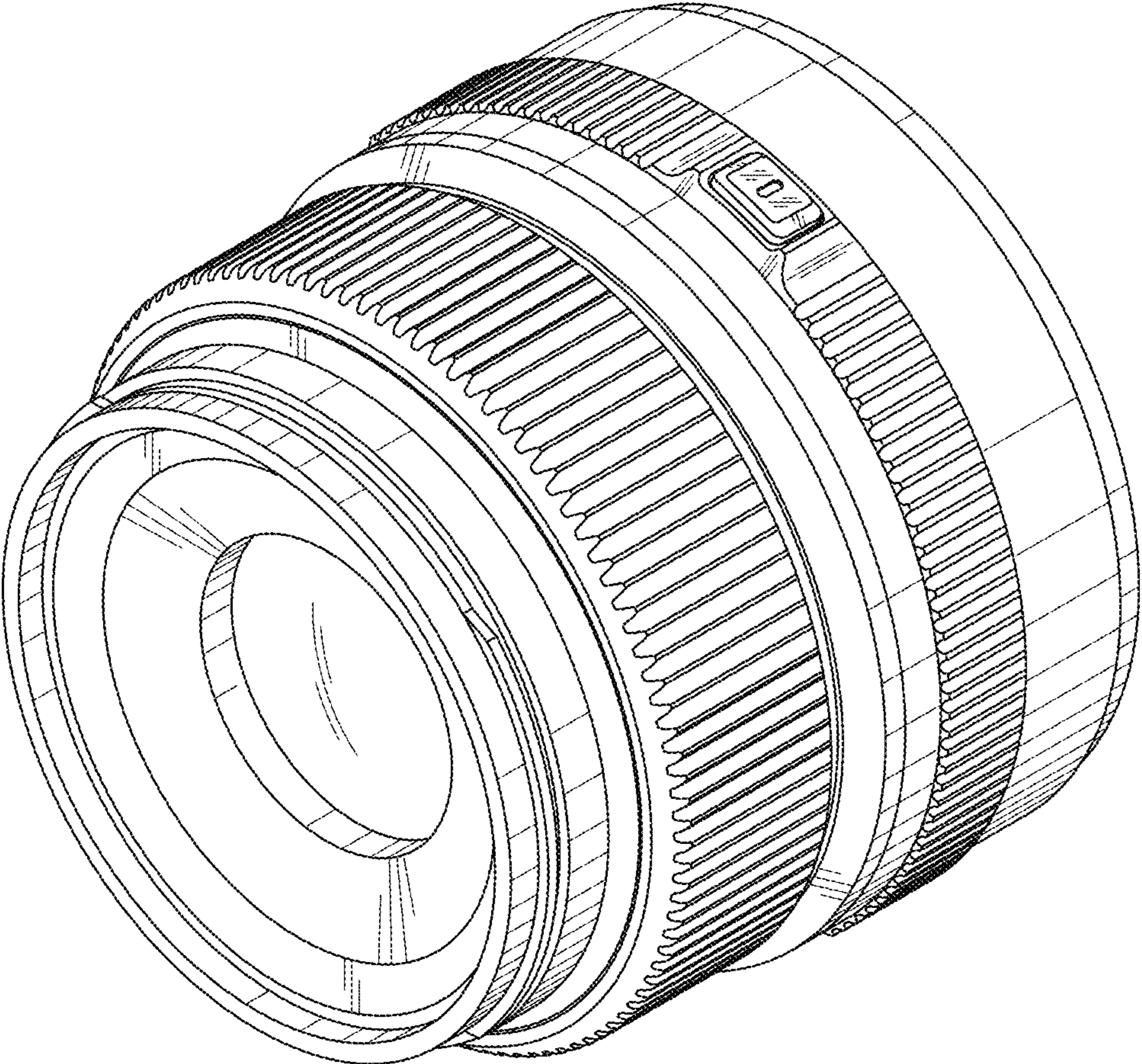


FIG. 2

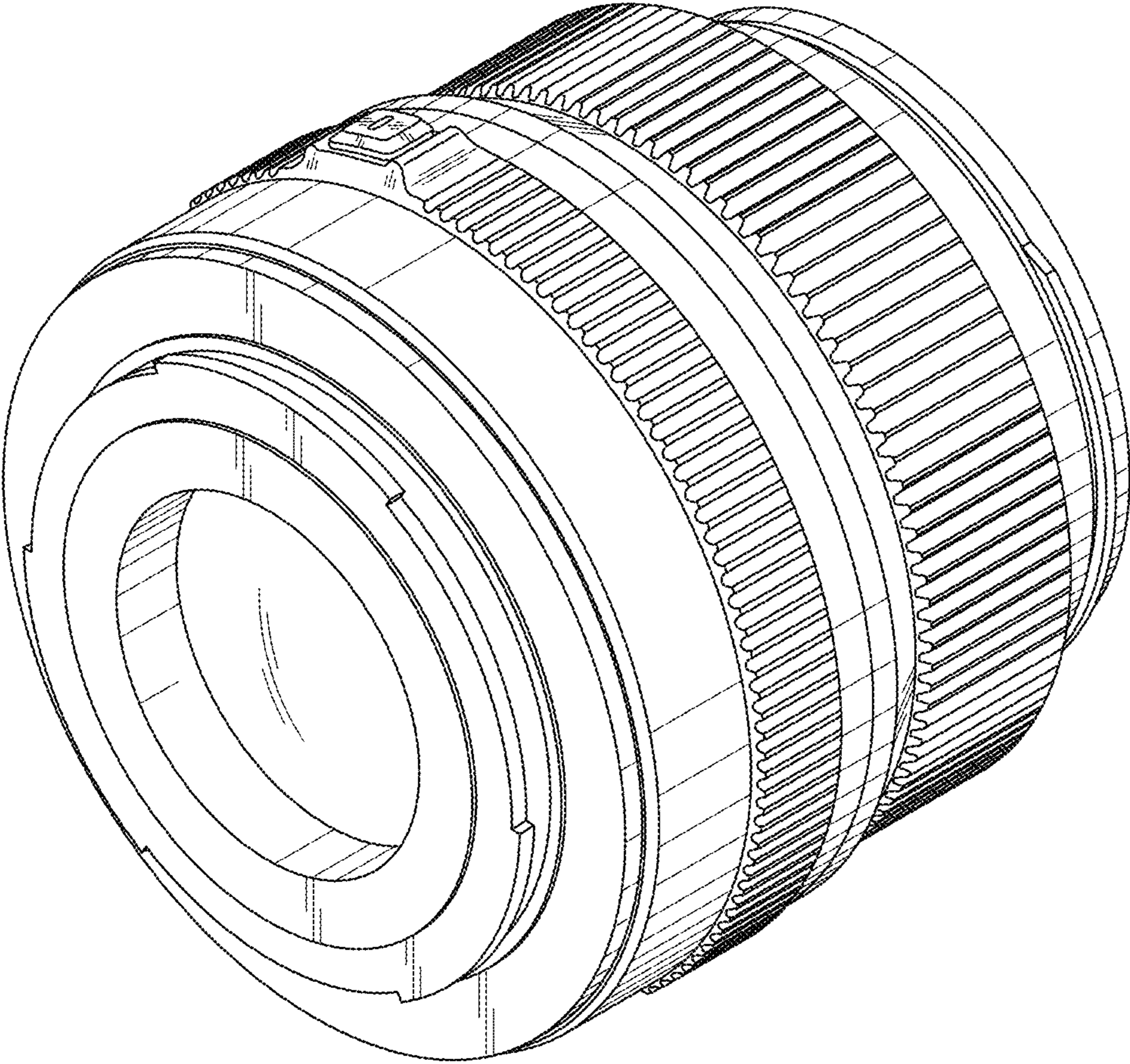


FIG. 3

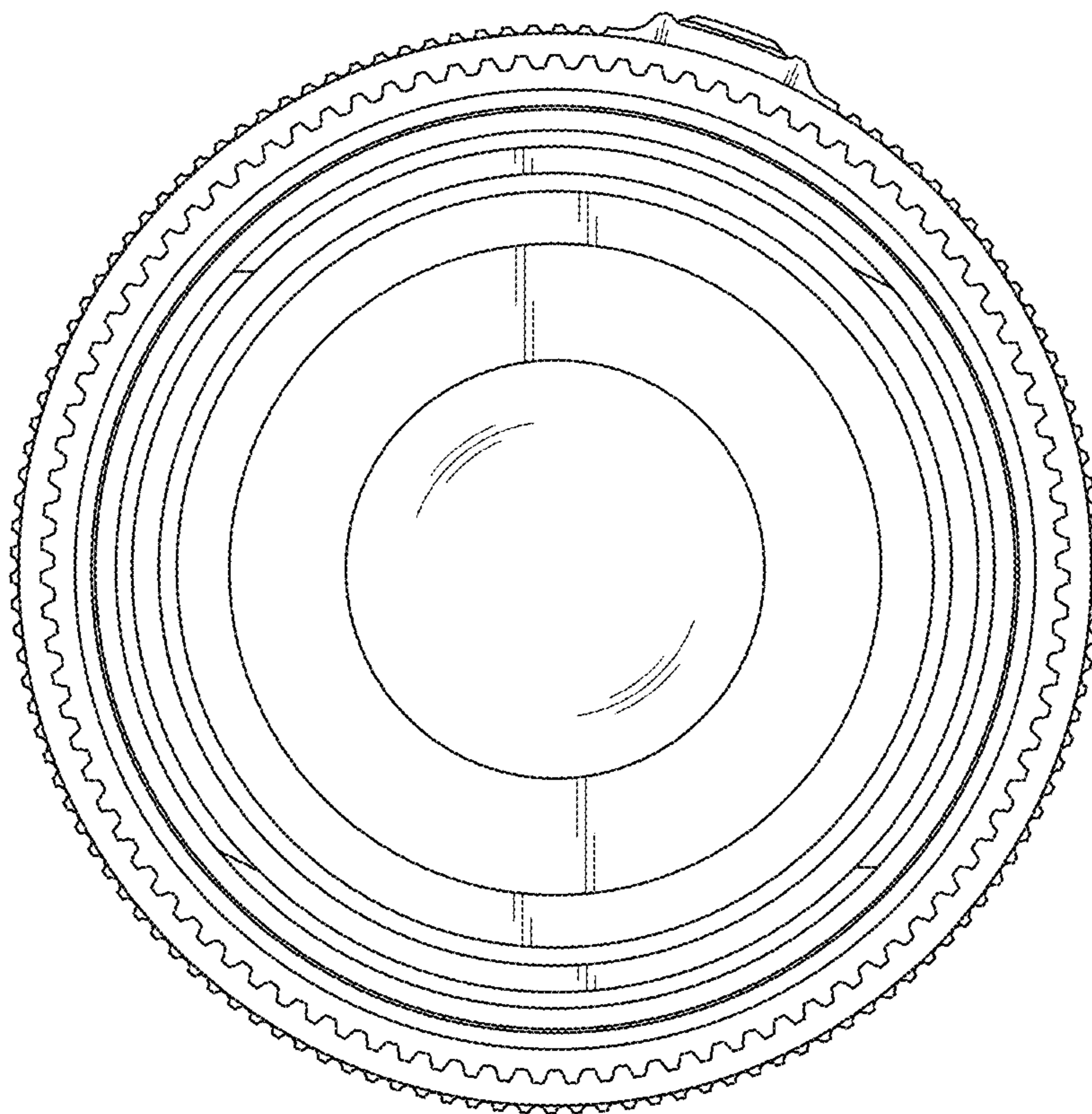


FIG. 4

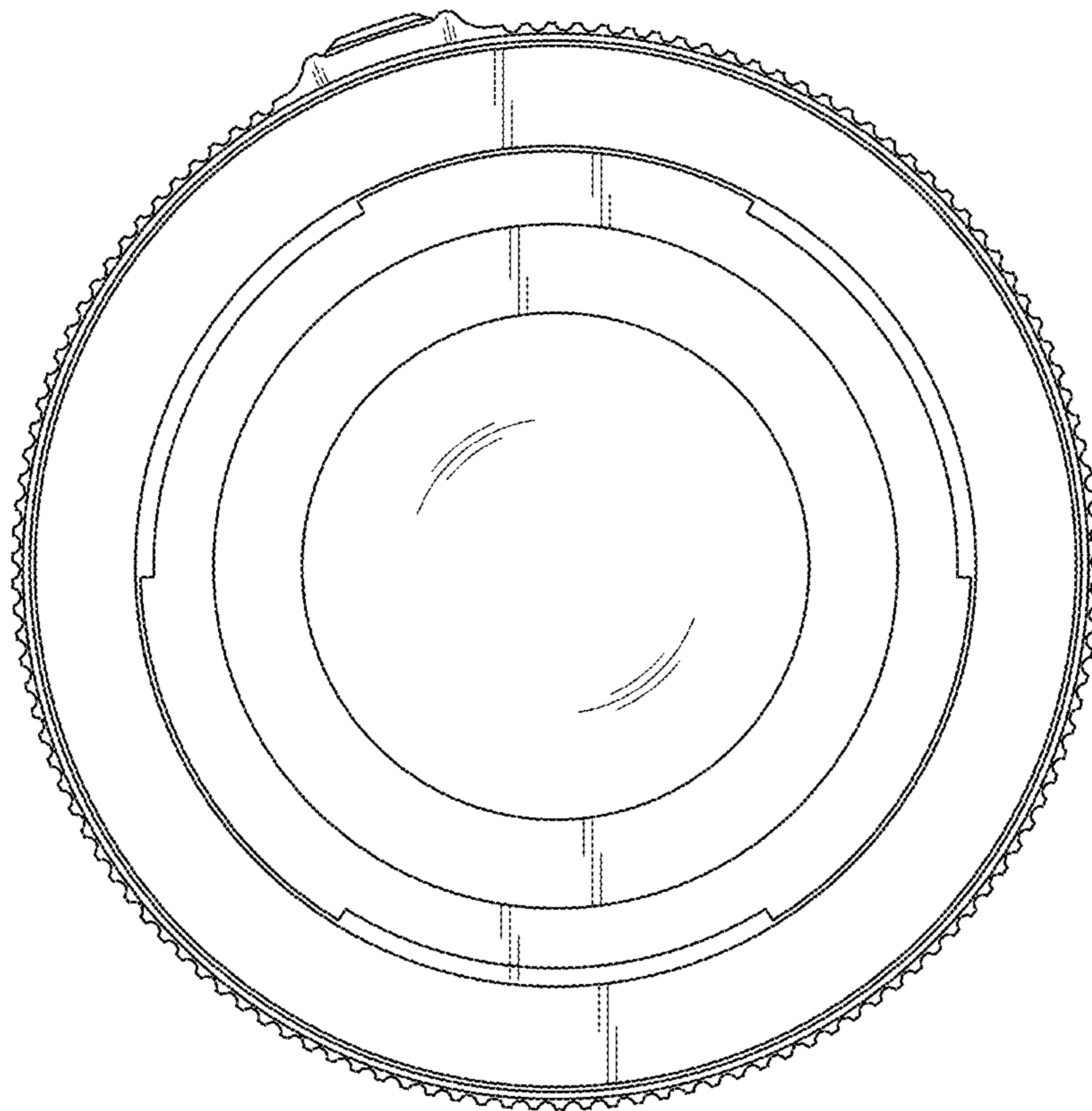


FIG. 5

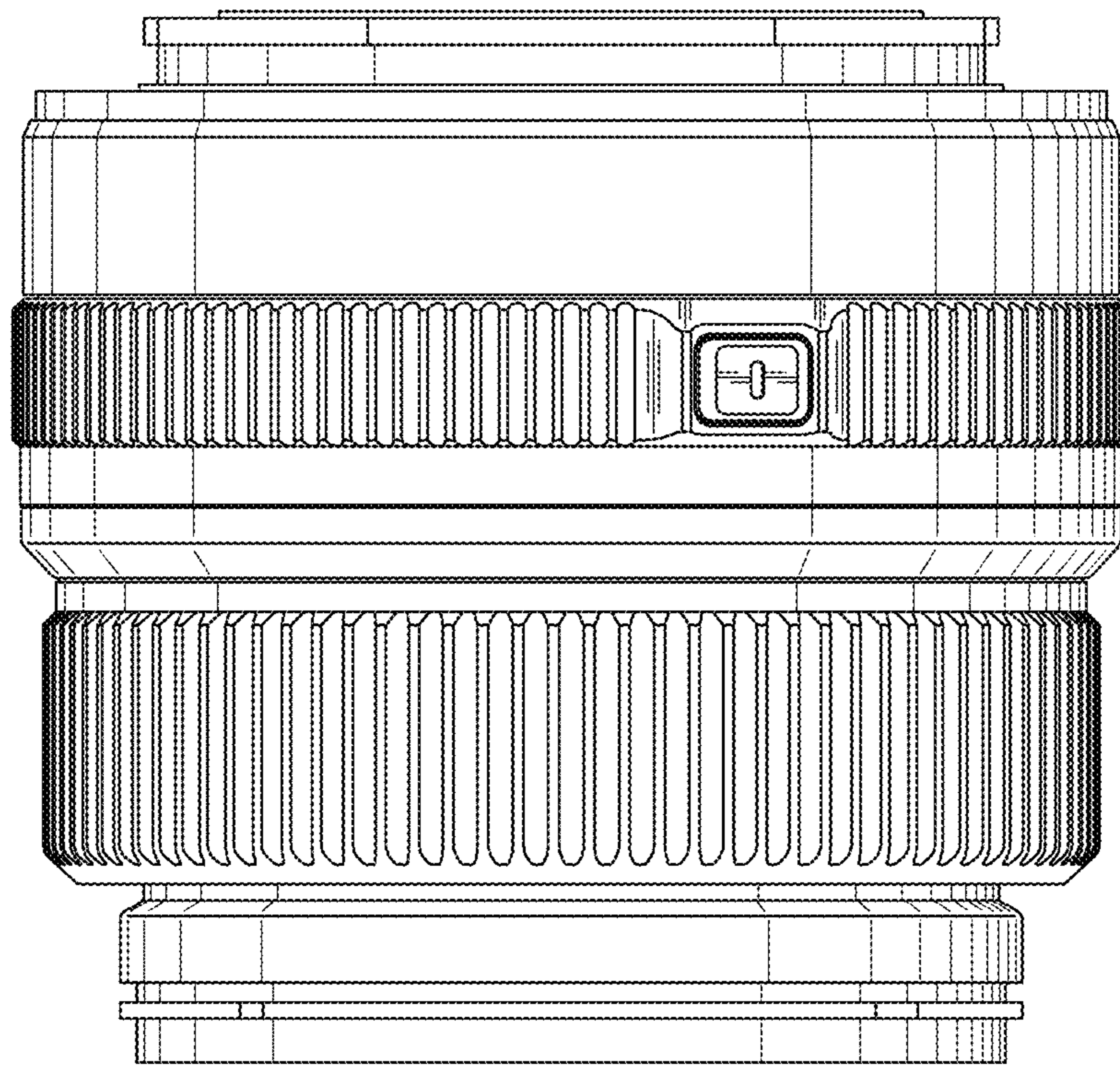


FIG. 6

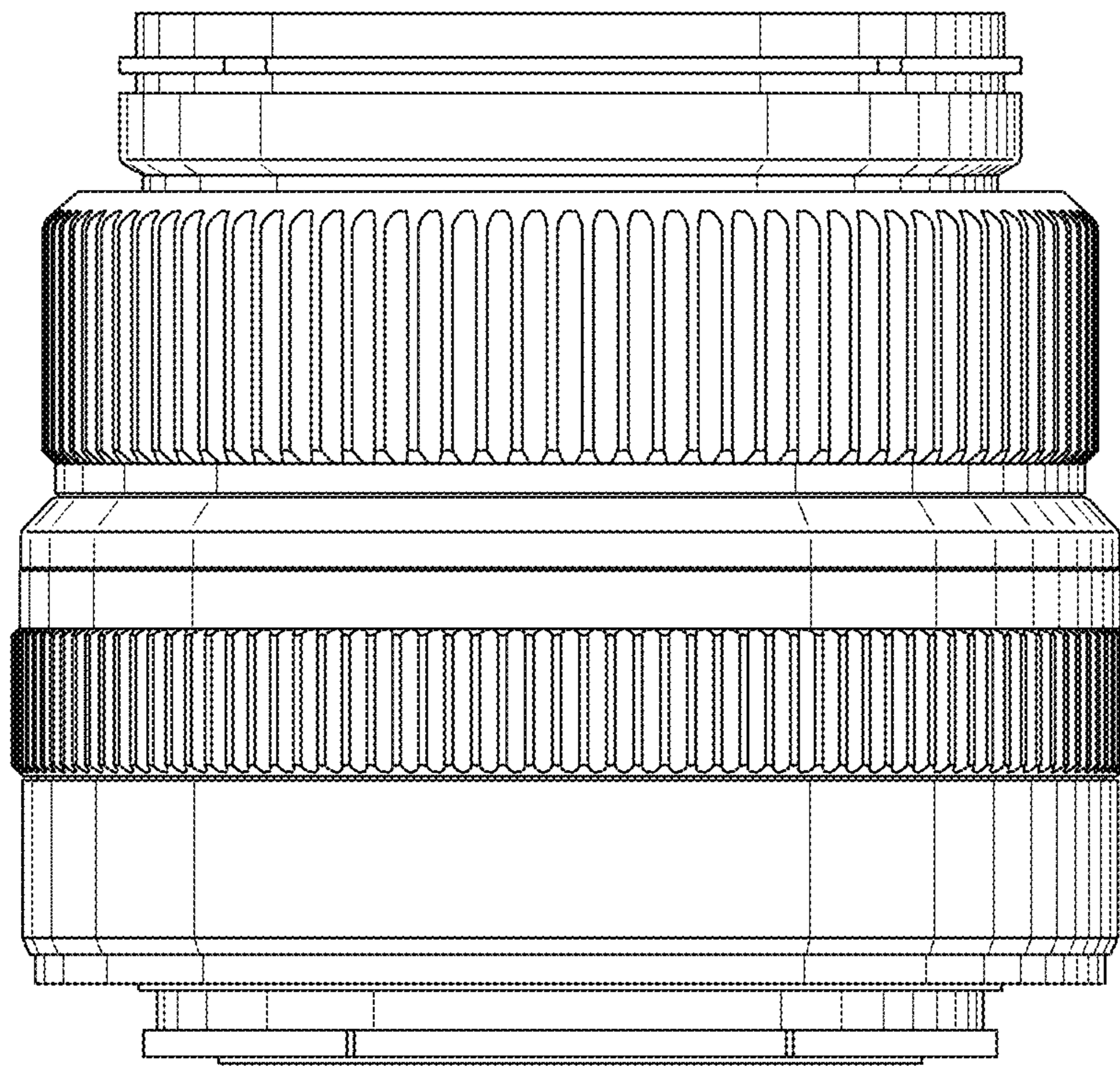


FIG. 7

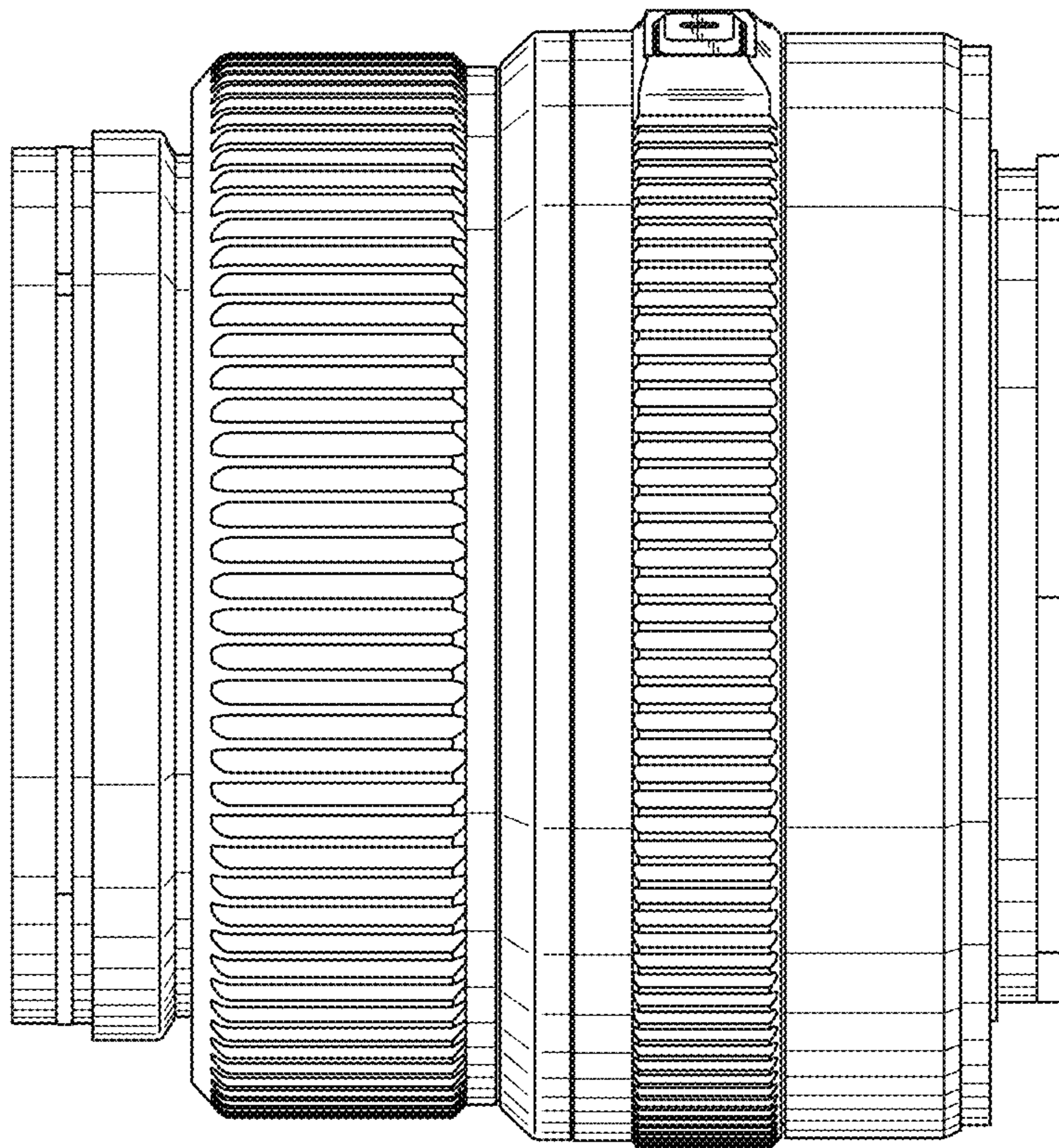


FIG. 8

