



US00D836151S

(12) **United States Design Patent**
Chang et al.

(10) **Patent No.:** **US D836,151 S**
(45) **Date of Patent:** **** Dec. 18, 2018**

(54) **PANORAMA CAMERA**

(71) Applicant: **eYs3D Microelectronics, Co., Taipei (TW)**

(72) Inventors: **Chi-Hua Chang, Hsinchu (TW);
Le-Shan Hsueh, Taipei (TW)**

(73) Assignee: **eYs3D Microelectronics, Co., Taipei (TW)**

(**) Term: **15 Years**

(21) Appl. No.: **29/594,509**

(22) Filed: **Feb. 20, 2017**

(30) **Foreign Application Priority Data**

Sep. 2, 2016 (TW) 105305122

(51) **LOC (11) Cl.** **16-01**

(52) **U.S. Cl.**
USPC **D16/210**

(58) **Field of Classification Search**

USPC D16/200, 202–208, 218, 219, 242;
348/143, 148, 151, 373–376; 396/419,
396/427, 535, 539–541
CPC G03B 17/02; G03B 19/04; G03B 17/56;
G03B 17/04; G03B 15/03; H04N 5/2251;
H04N 5/2252; H04N 5/2253; H04N
5/2254; H04N 7/181; H04N 7/183; H04N
7/18; G08B 13/1963; G08B 13/19619;
G08B 13/19632

See application file for complete search history.

(56) **References Cited**

U.S. PATENT DOCUMENTS

D395,715 S * 6/1998 Queen D16/203
D516,105 S * 2/2006 Bradley D16/202

D527,406 S * 8/2006 Lin D16/202
D554,682 S * 11/2007 Martinez D16/203
D628,223 S * 11/2010 Kao D16/202
D690,344 S * 9/2013 Hollinger D16/200
D700,232 S * 2/2014 Ramsay D16/207
D705,844 S * 5/2014 Bart D16/203
D730,966 S * 6/2015 Liu D16/202
D731,579 S * 6/2015 Bart D16/203
D742,955 S * 11/2015 Kozko D16/207
D749,661 S * 2/2016 Yang D16/203
9,521,301 B2 * 12/2016 Bart H04N 5/2252

* cited by examiner

Primary Examiner — Philip S Hyder

Assistant Examiner — Ramzi S Almatrahi

(74) *Attorney, Agent, or Firm* — Winston Hsu

(57) **CLAIM**

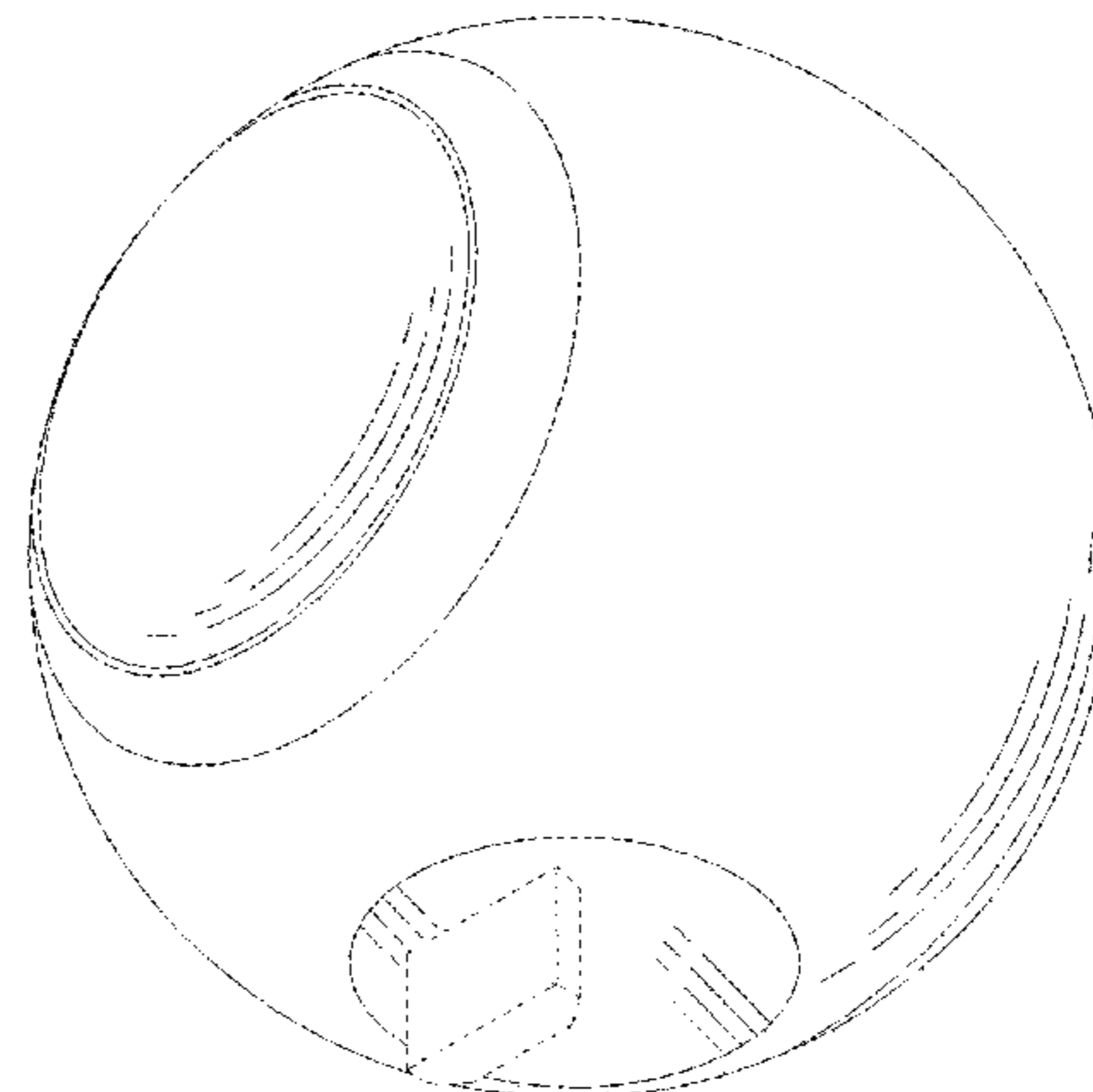
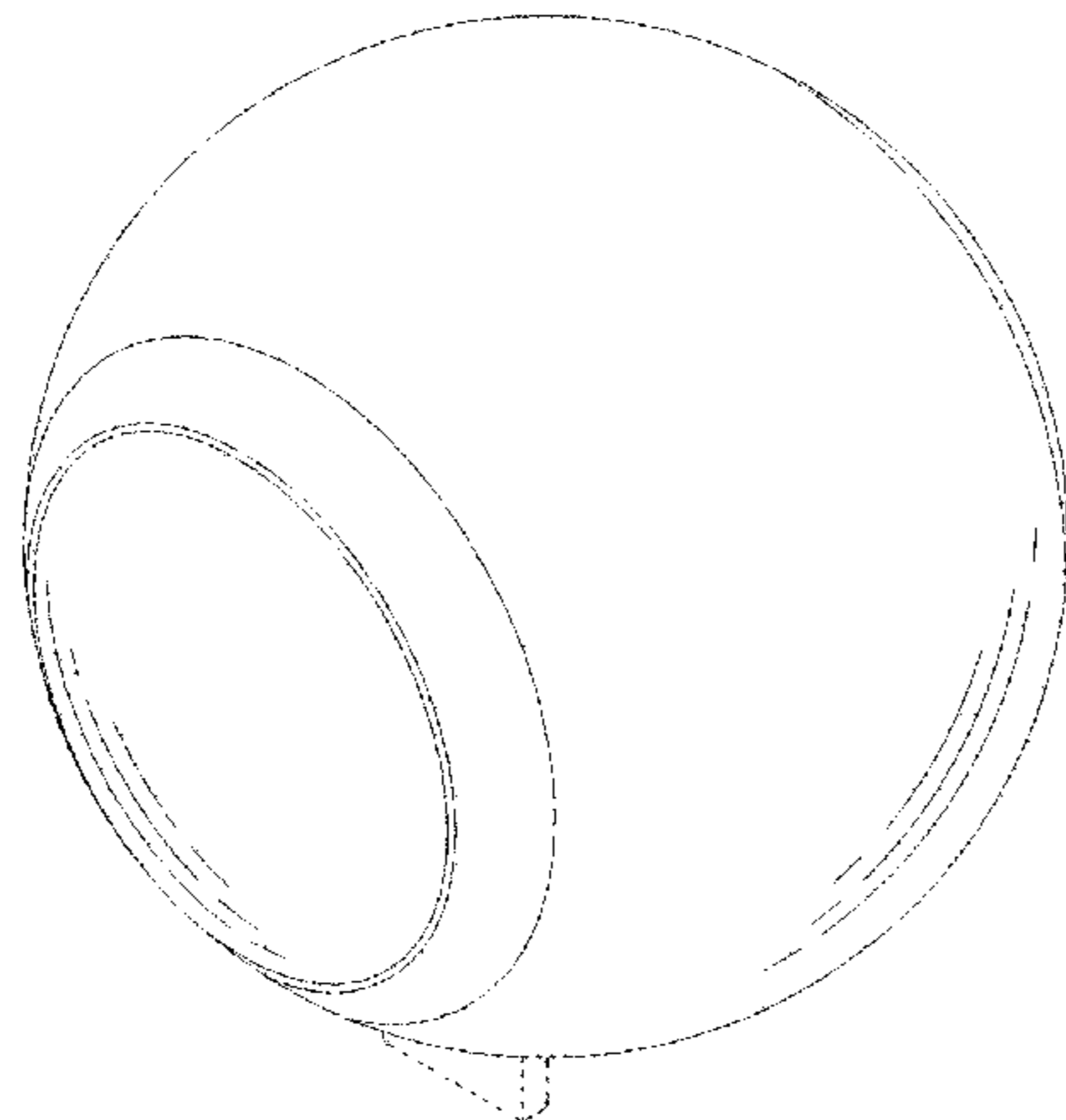
The ornamental design for a panorama camera, as shown and described.

DESCRIPTION

FIG. 1 is a top perspective view of a panorama camera showing our new design;
FIG. 2 is a bottom perspective view thereof;
FIG. 3 is a front view thereof;
FIG. 4 is a rear view thereof;
FIG. 5 is a left side view thereof;
FIG. 6 is a right side view thereof;
FIG. 7 is a top view thereof; and,
FIG. 8 is a bottom view thereof.

The broken lines show portions of the panorama camera that form no part of the claimed design.

1 Claim, 8 Drawing Sheets



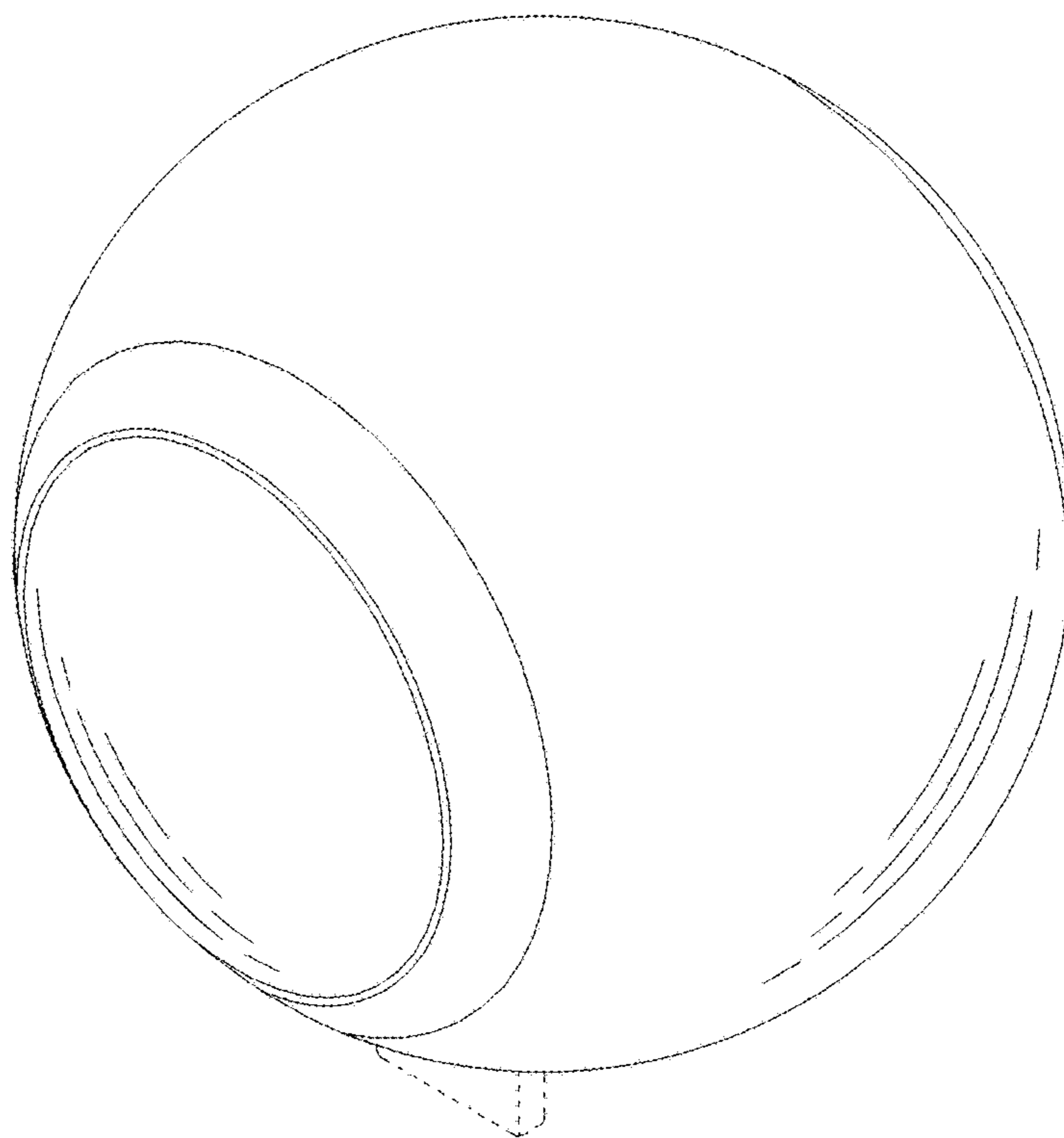


FIG. 1

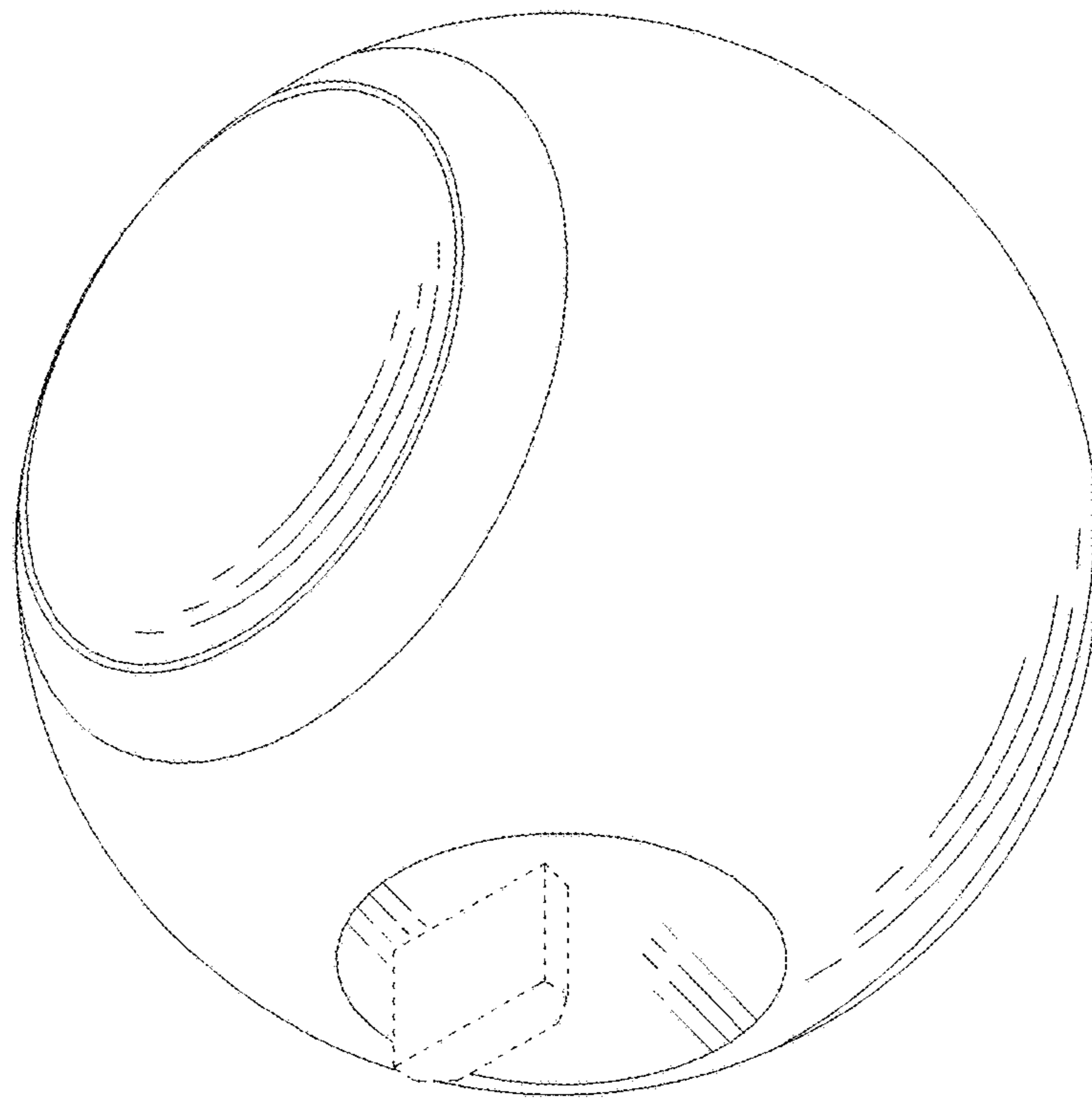


FIG. 2

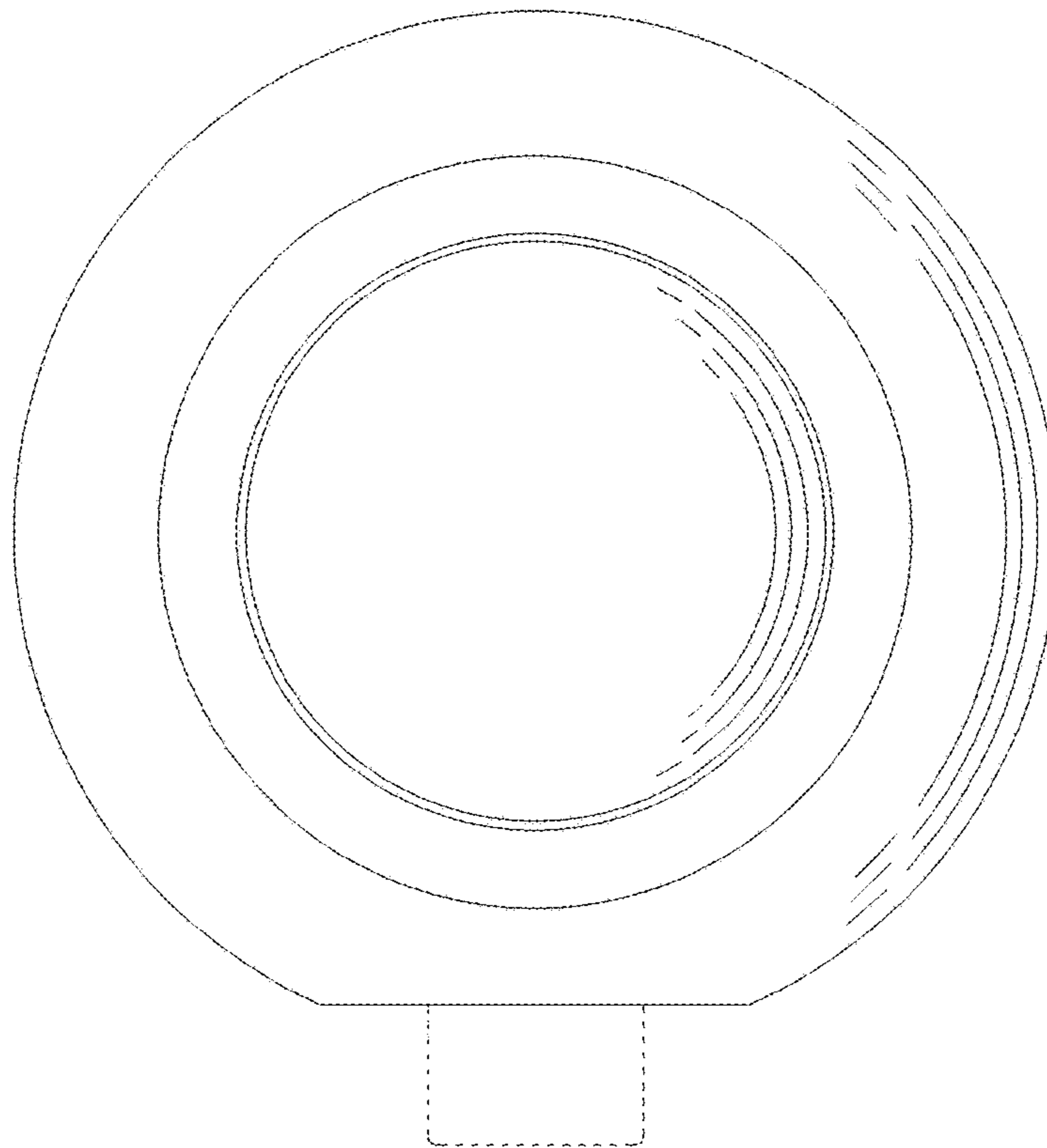


FIG. 3

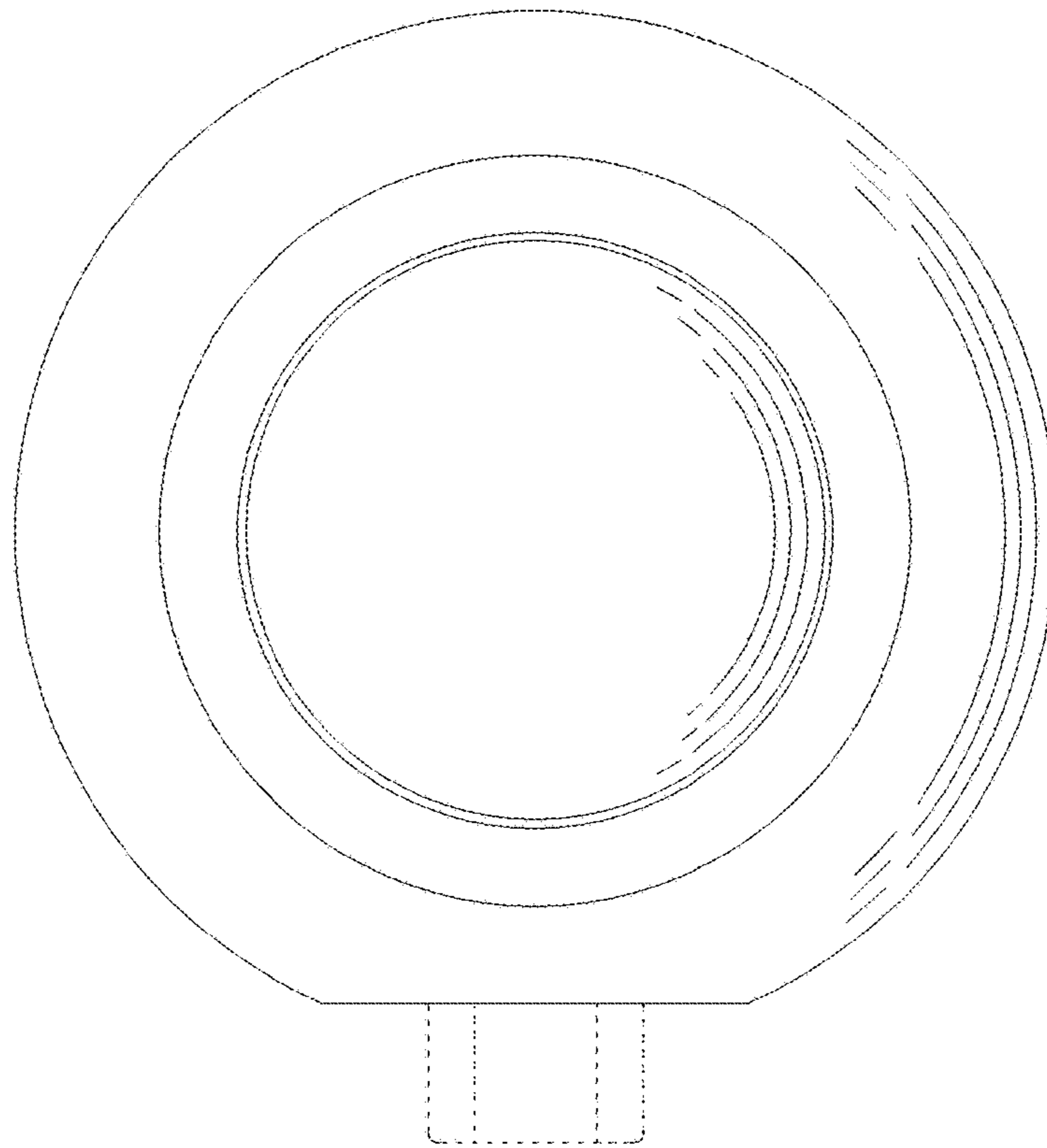


FIG. 4

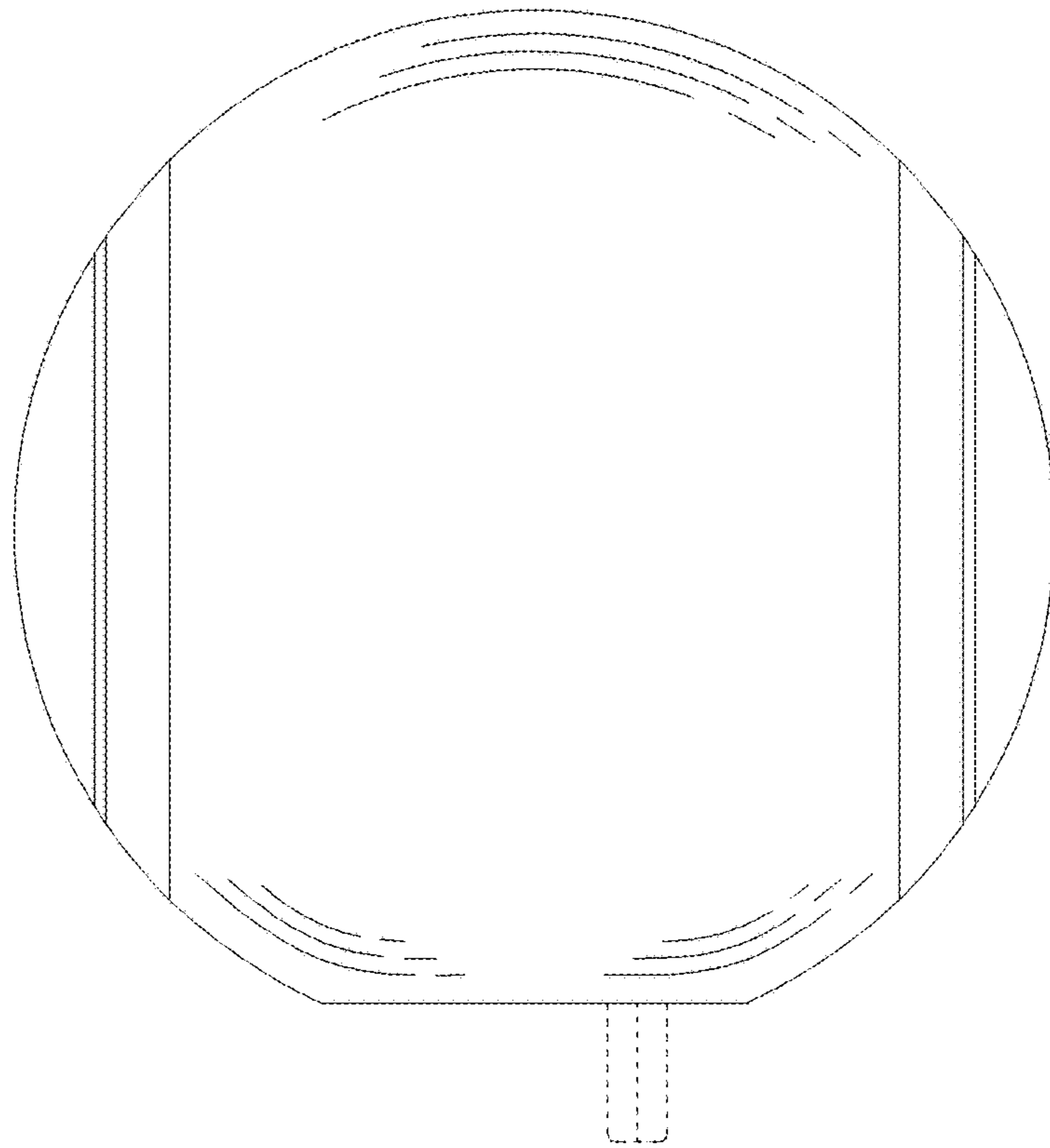


FIG. 5

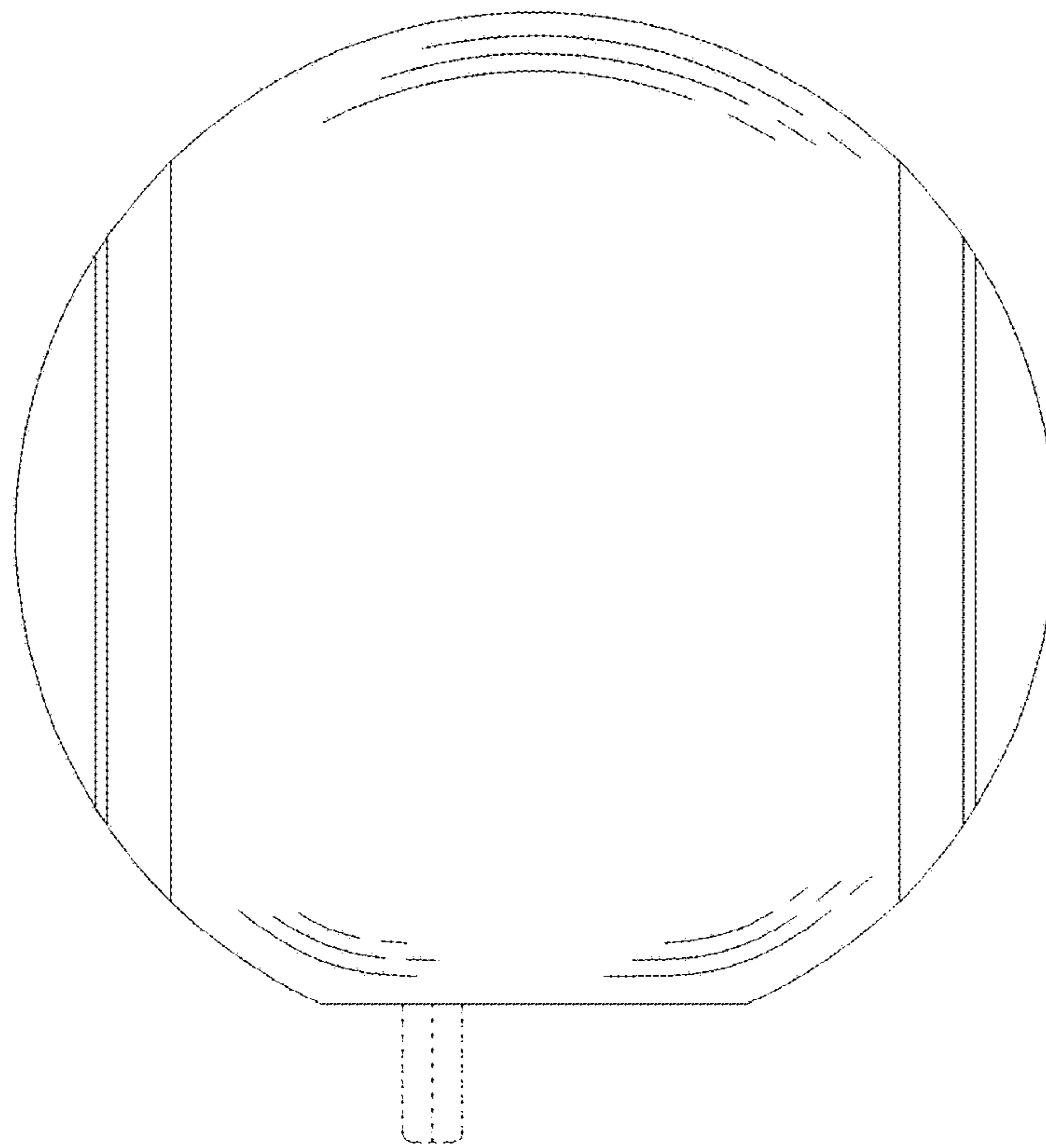


FIG. 6

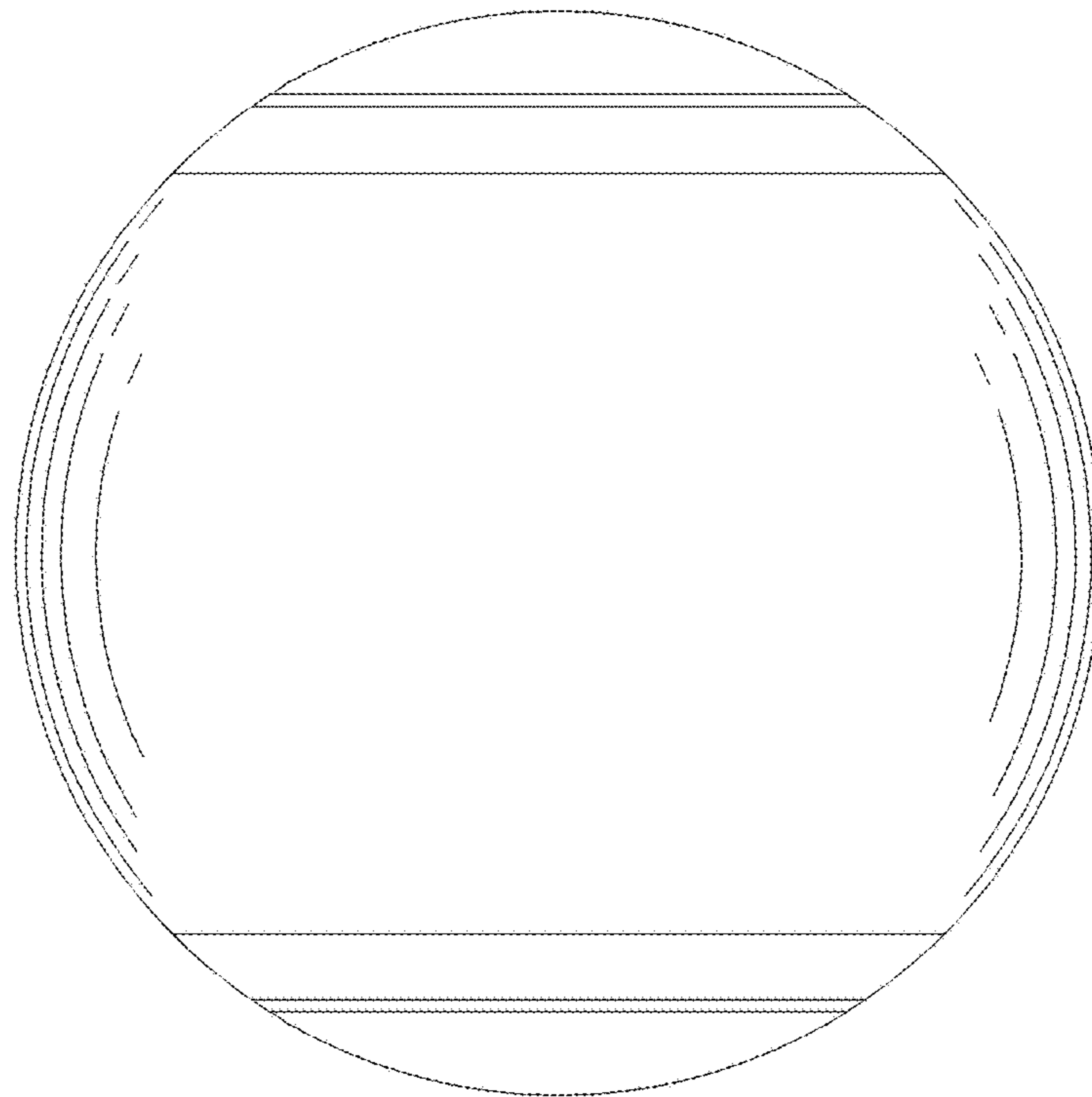


FIG. 7

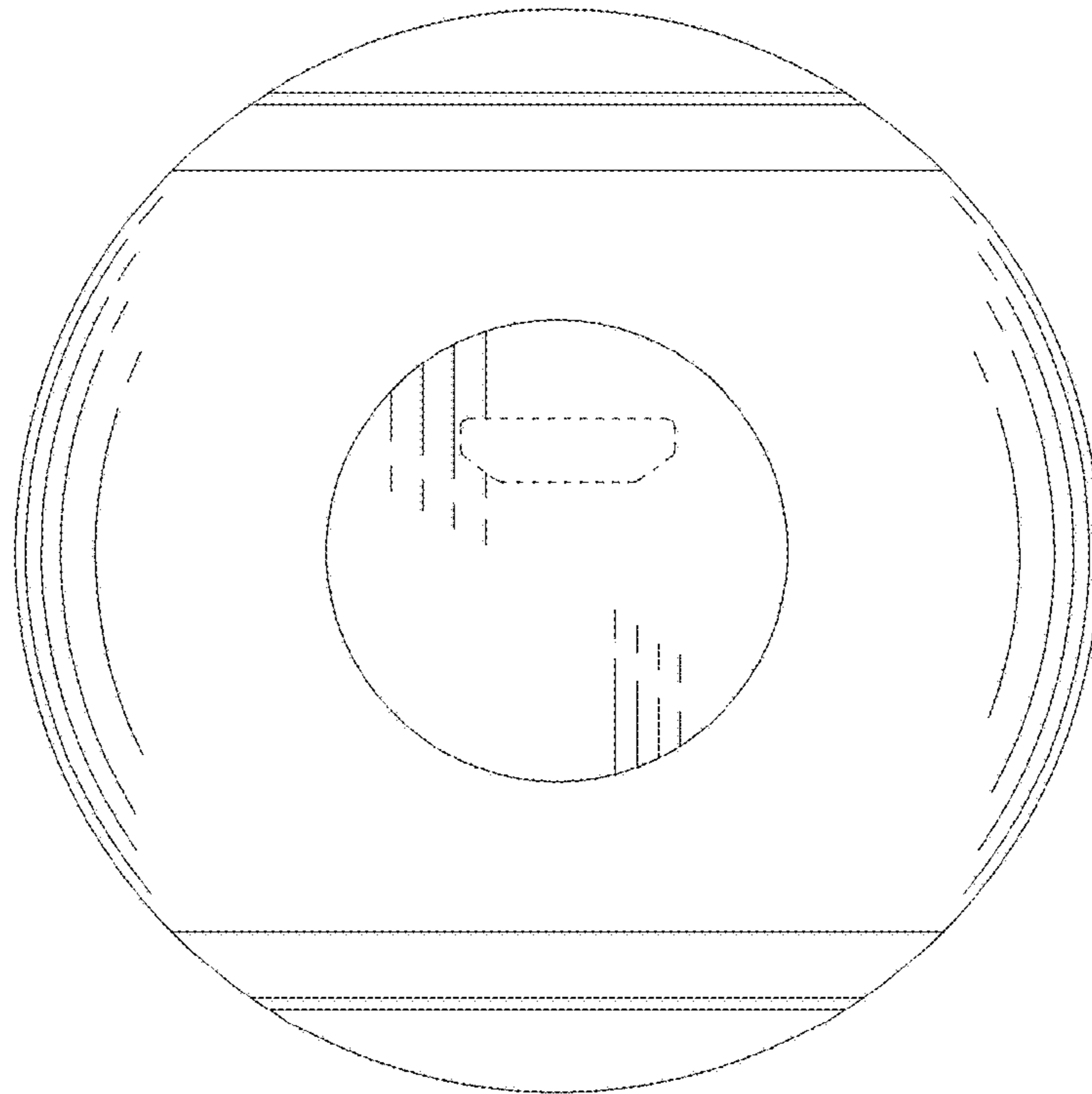


FIG. 8