



US00D836146S

(12) **United States Design Patent**  
**Lin**

(10) **Patent No.:** **US D836,146 S**

(45) **Date of Patent:** **\*\* Dec. 18, 2018**

(54) **ELECTRIC WELDING MACHINE SHELL**

(71) Applicant: **Yang Lin**, Taizhou (CN)

(72) Inventor: **Yang Lin**, Taizhou (CN)

(\*\*) Term: **15 Years**

(21) Appl. No.: **29/631,029**

(22) Filed: **Dec. 27, 2017**

(30) **Foreign Application Priority Data**

Jun. 27, 2017 (CN) ..... 2017 3 0272626

(51) **LOC (11) Cl.** ..... **15-09**

(52) **U.S. Cl.**  
USPC ..... **D15/144**

(58) **Field of Classification Search**  
USPC ..... D8/29.1, 30; D13/123, 133, 144;  
D15/144, 144.1, 144.2  
CPC ..... B23K 9/32; B23K 9/028; B23K 9/1006;  
B23K 9/1735; B23K 11/28; B23K 37/053  
See application file for complete search history.

(56) **References Cited**

**U.S. PATENT DOCUMENTS**

D275,292	S *	8/1984	Bouman	.....	D15/144
4,496,822	A *	1/1985	Jegers	.....	B23K 37/02 219/125.1
D280,329	S *	8/1985	Bouman	.....	D15/144
6,531,683	B1 *	3/2003	Lawrence	.....	B23K 9/133 219/125.1
6,590,184	B1 *	7/2003	Andersen	.....	B23K 7/10 219/136
6,596,972	B1 *	7/2003	Di Novo	.....	B23K 9/32 219/136
D569,883	S *	5/2008	Wang	.....	D15/144
D569,884	S *	5/2008	Shu	.....	D15/144
D631,074	S *	1/2011	Peters	.....	D15/144
D742,444	S *	11/2015	Leach	.....	D15/144

D772,965	S *	11/2016	Westlake	.....	D15/144
RE46,313	E *	2/2017	Johnson	.....	D15/144
9,756,456	B2 *	9/2017	Dina	.....	H04L 12/6418
D821,463	S *	6/2018	Lin	.....	D15/144
D821,464	S *	6/2018	Lin	.....	D15/144
D821,465	S *	6/2018	Lin	.....	D15/144
D821,466	S *	6/2018	Lin	.....	D15/144
2003/0213789	A1 *	11/2003	Andersen	.....	B23K 9/10 219/130.1
2006/0043082	A1 *	3/2006	Martin	.....	B23K 9/32 219/130.5
2007/0090163	A1 *	4/2007	Di Novo	.....	B23K 9/1006 228/101
2008/0135695	A1 *	6/2008	Ertmer	.....	B23K 9/32 248/154
2009/0230118	A1 *	9/2009	Romenesko	.....	B23K 9/327 219/520
2011/0030723	A1 *	2/2011	Langeder	.....	B08B 7/00 134/1

(Continued)

*Primary Examiner* — Patricia A Palasik

(74) *Attorney, Agent, or Firm* — Sarika Singh; Mcneely, Hare & War LLP

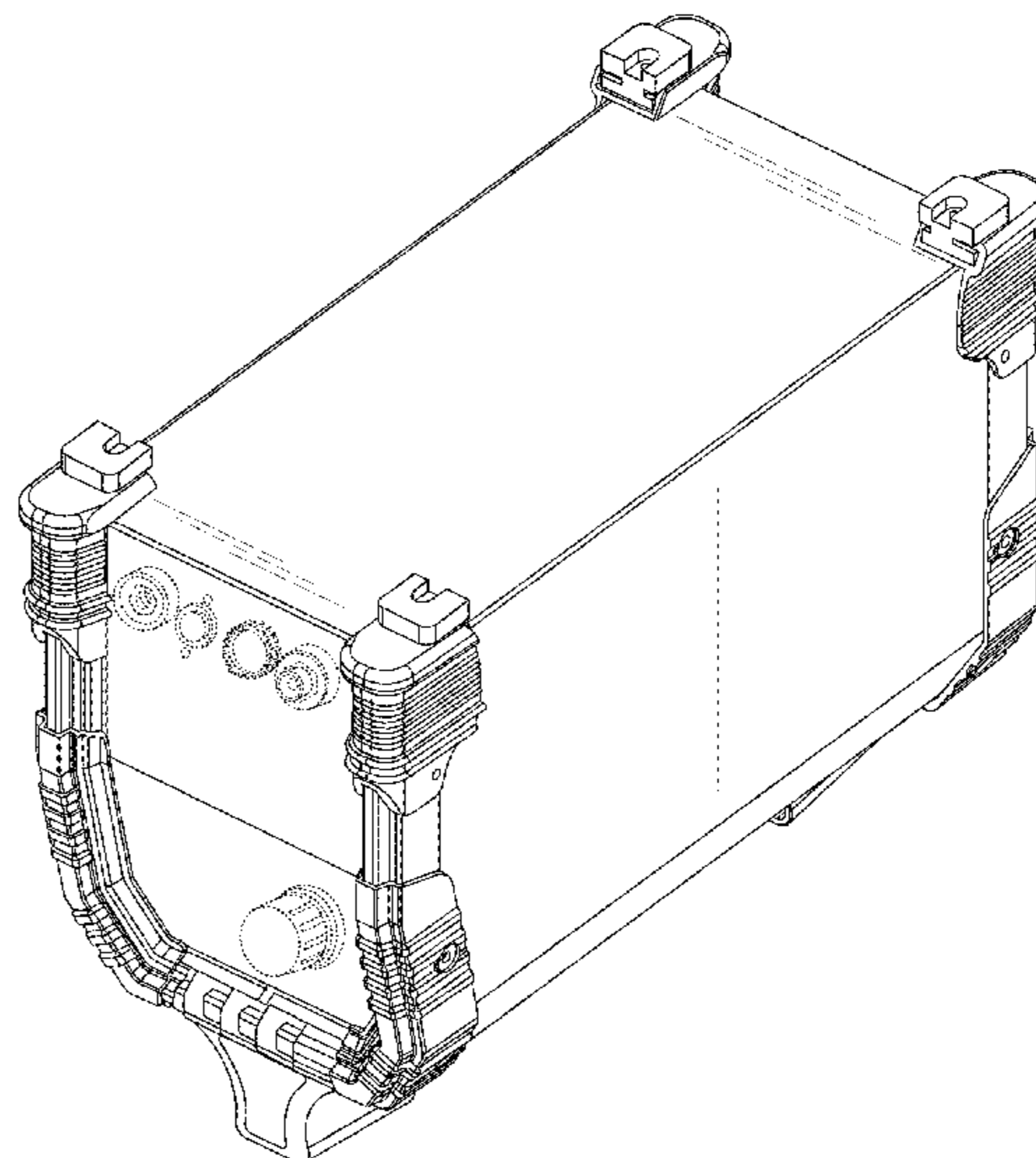
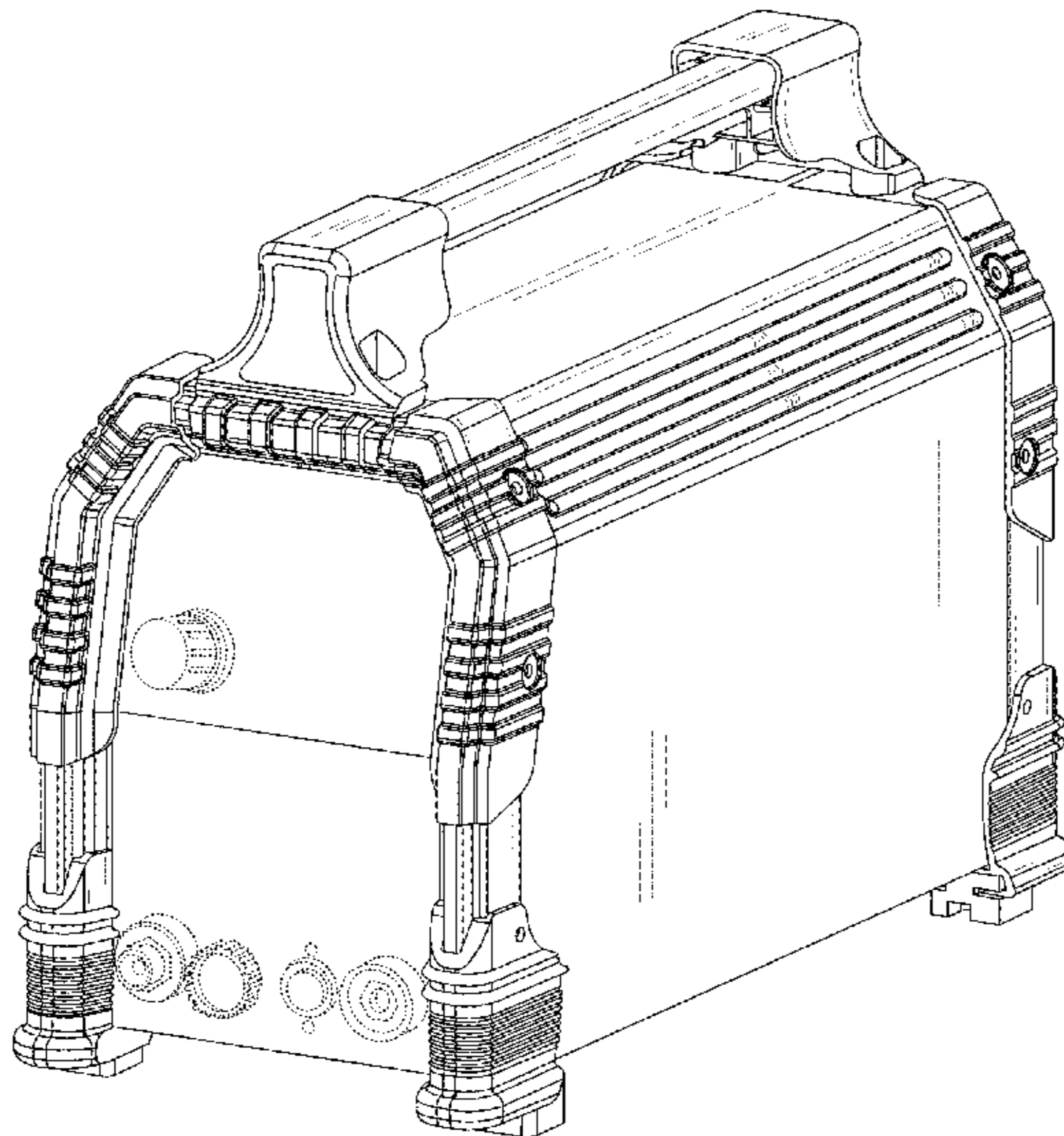
(57) **CLAIM**

The ornamental design for an electric welding machine shell, as shown and described.

**DESCRIPTION**

FIG. 1 is a perspective view of an electric welding machine shell showing my new design;  
FIG. 2 is an upside-down perspective view thereof;  
FIG. 3 is a right view thereof;  
FIG. 4 is a left view thereof;  
FIG. 5 is a front view thereof;  
FIG. 6 is a back view thereof;  
FIG. 7 is a top view thereof; and,  
FIG. 8 is a bottom view thereof.  
The broken lines in the figures show control knobs that depict unclaimed environmental subject matter.

**1 Claim, 8 Drawing Sheets**



(56)

**References Cited**

U.S. PATENT DOCUMENTS

2011/0095009 A1\* 4/2011 Kindig ..... B23K 9/10  
219/130.1  
2012/0241417 A1\* 9/2012 Mehn ..... B23K 9/0956  
219/108  
2013/0048699 A1\* 2/2013 Fuerlinger ..... B23K 9/122  
228/41  
2016/0016248 A1\* 1/2016 Susin ..... G08B 6/00  
219/130.01  
2017/0129035 A1\* 5/2017 Westlake ..... B23K 9/1006  
2017/0144242 A1\* 5/2017 McQueen ..... B23K 9/044

\* cited by examiner

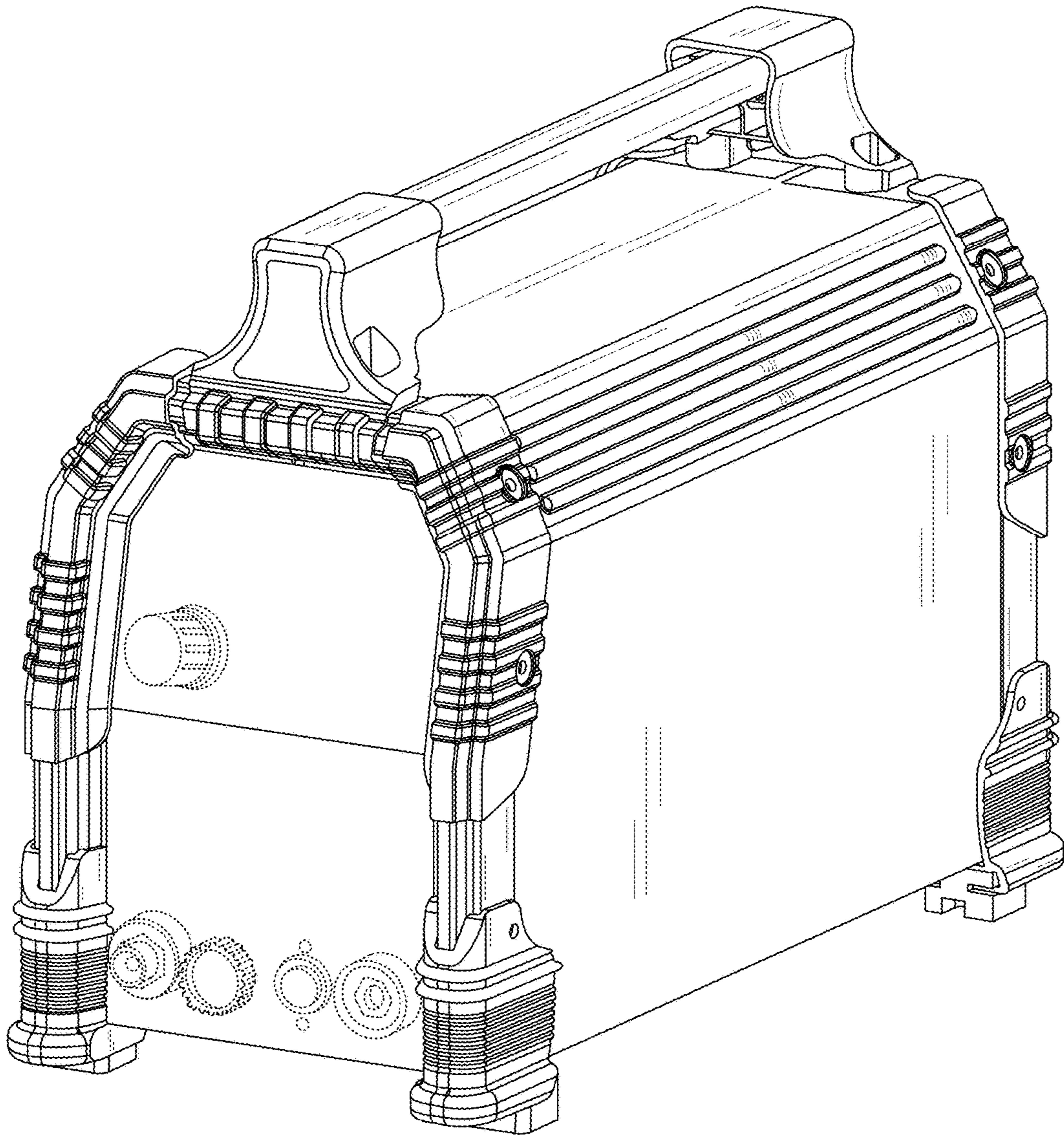


FIG. 1

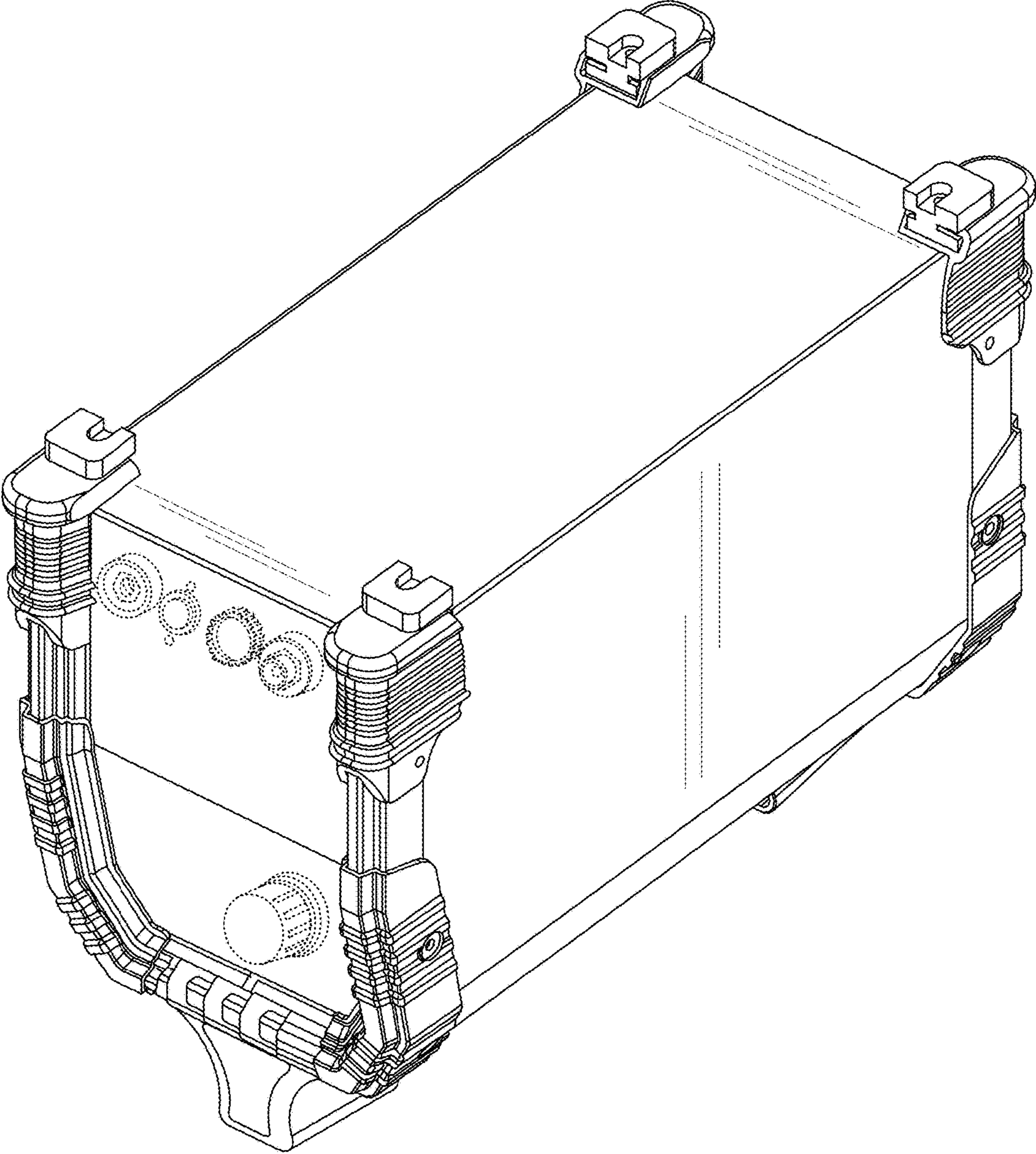


FIG. 2

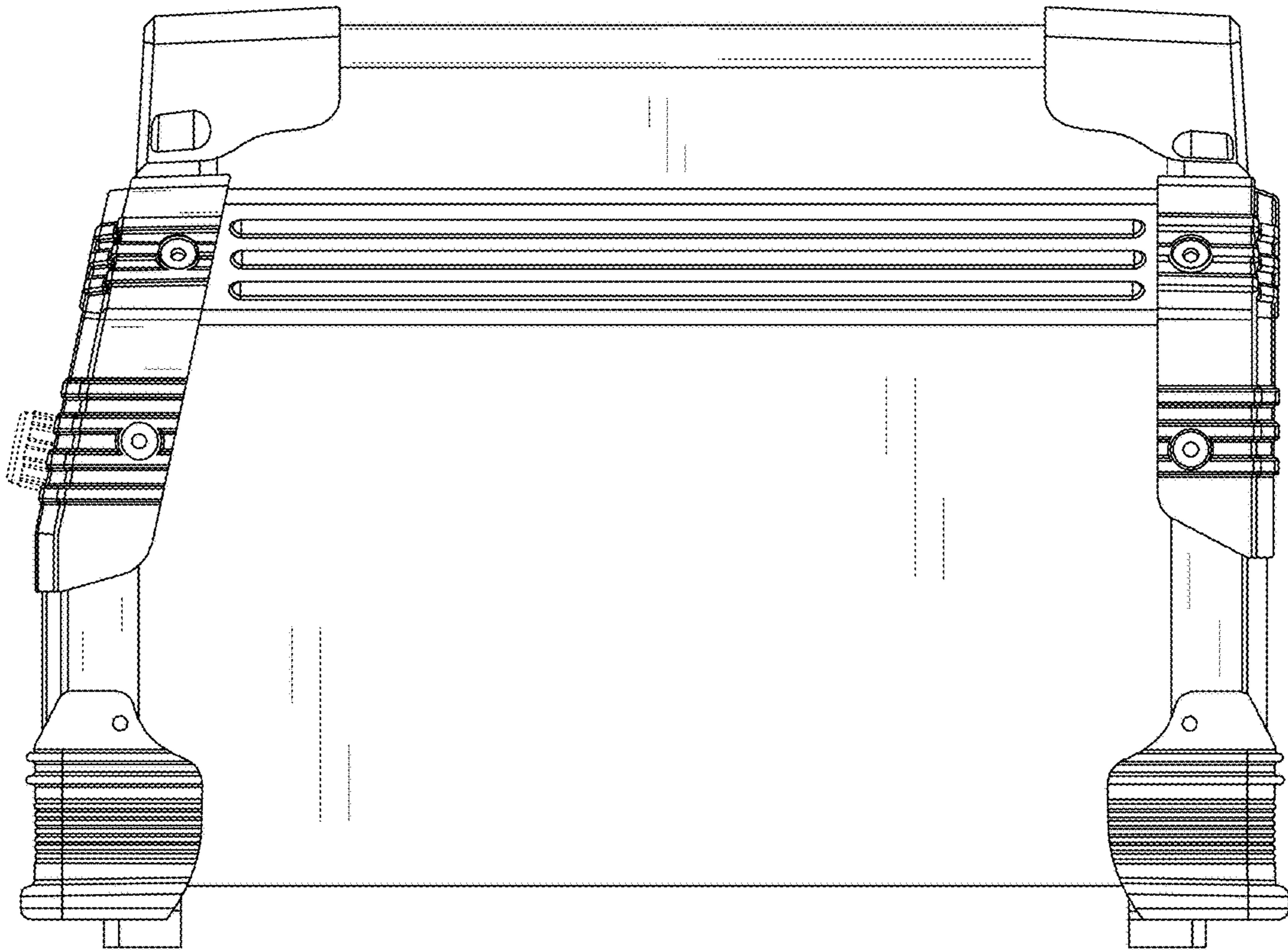


FIG. 3

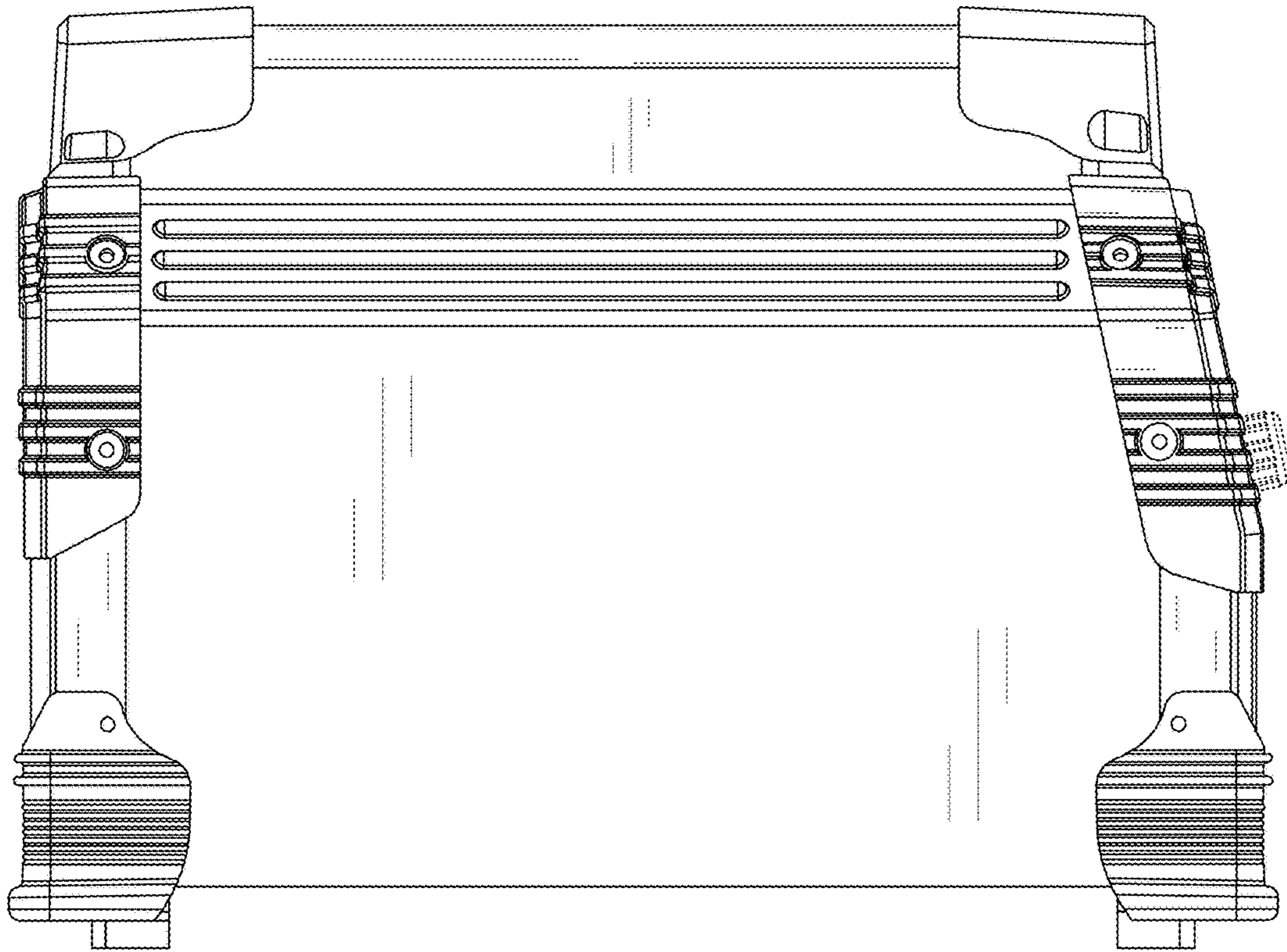


FIG. 4

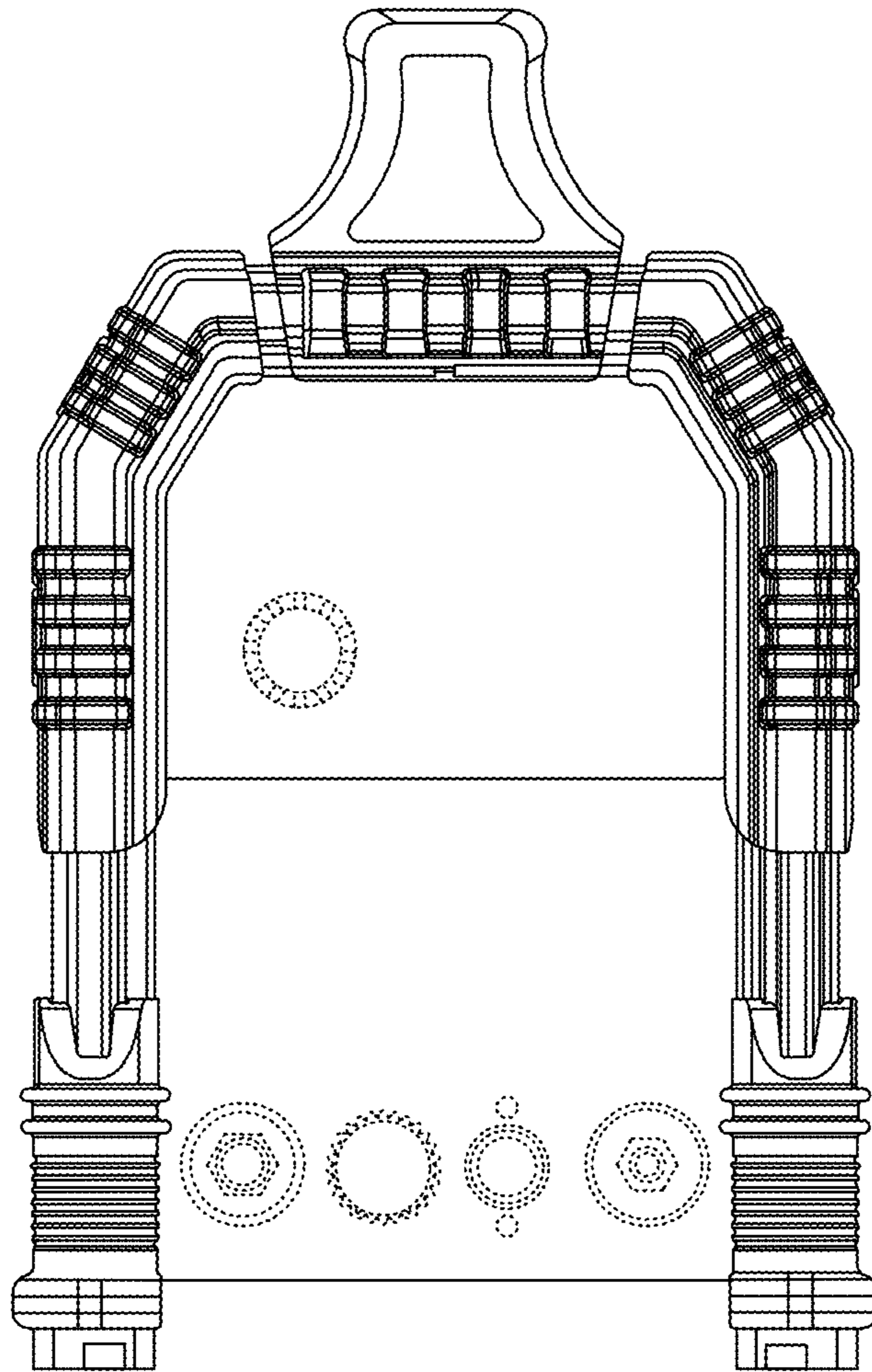


FIG. 5

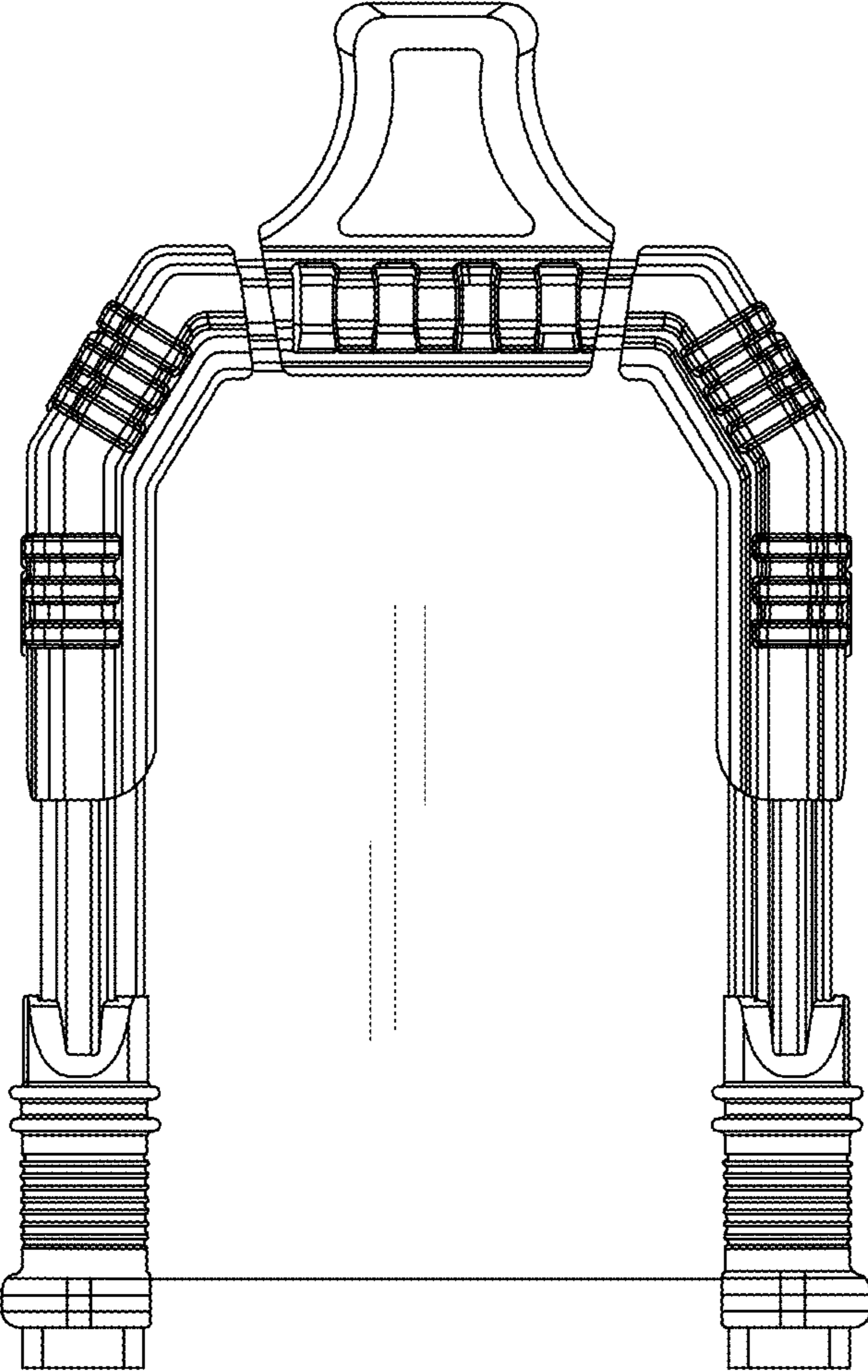


FIG. 6



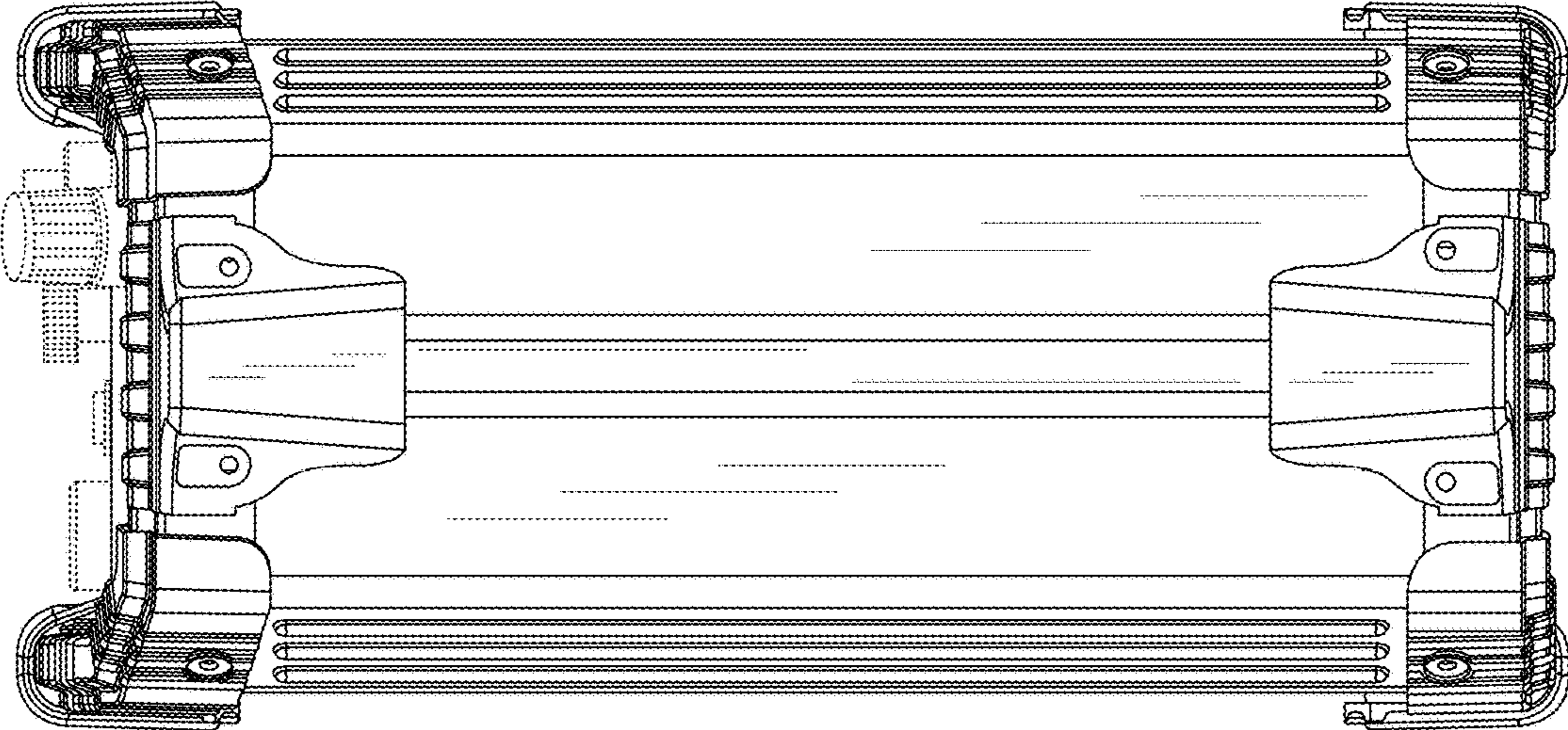


FIG. 7

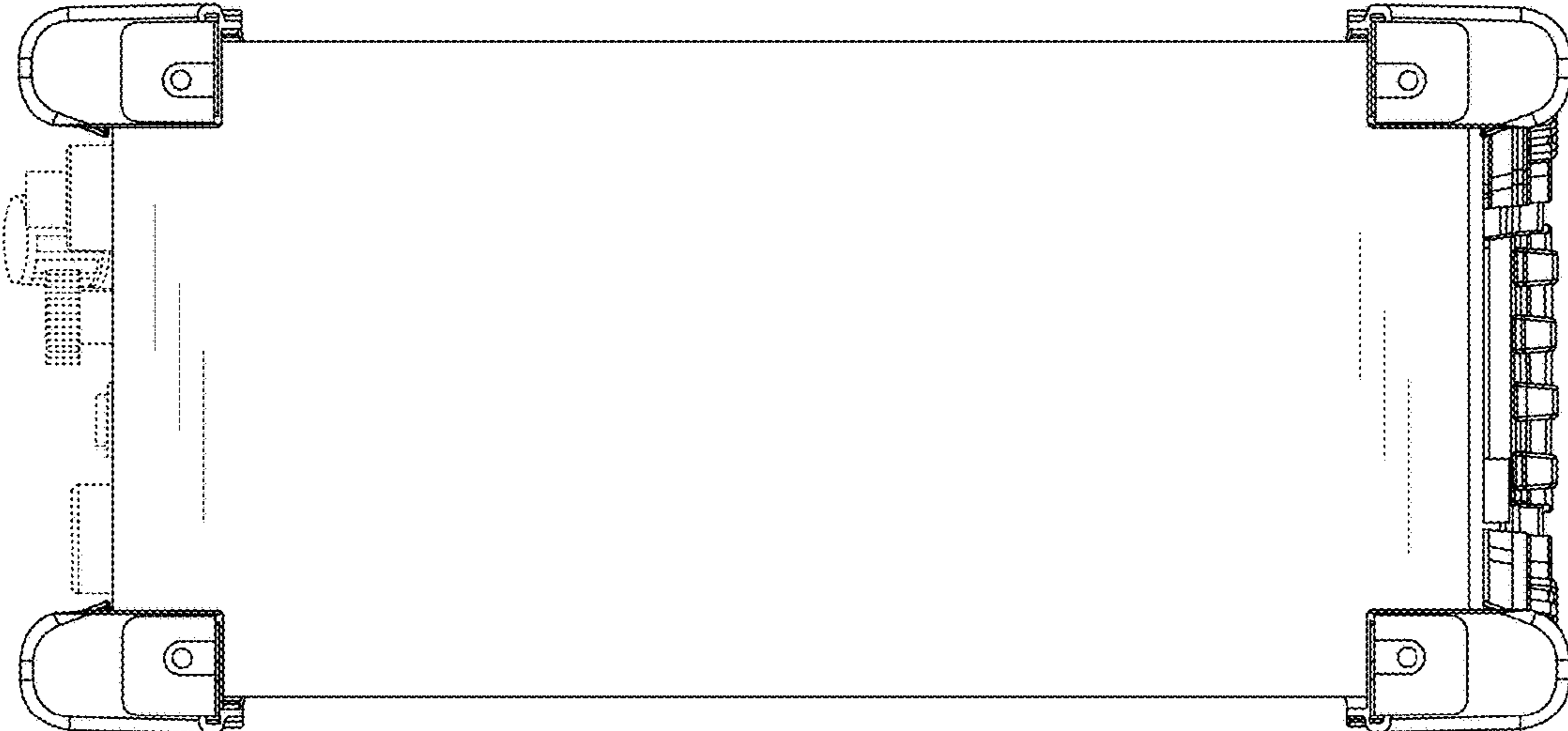


FIG. 8