



US00D836143S

(12) **United States Design Patent**  
**Weinberg**

(10) **Patent No.:** **US D836,143 S**

(45) **Date of Patent:** **\*\* Dec. 18, 2018**

(54) **CUTTING INSERT HOLDER**

(71) Applicant: **Illinois Tool Works Inc.**, Glenview, IL (US)

(72) Inventor: **Jeremy Edward Weinberg**, Oak Park, IL (US)

(73) Assignee: **Illinois Tool Works Inc.**, Glenview, IL (US)

(\*\*) Term: **15 Years**

(21) Appl. No.: **29/628,023**

(22) Filed: **Nov. 30, 2017**

(51) **LOC (11) Cl.** ..... **15-09**

(52) **U.S. Cl.**  
USPC ..... **D15/139**

(58) **Field of Classification Search**  
USPC ..... D8/20, 70; D15/126, 131, 138, 139, 140  
CPC ..... B23C 5/109; B23C 5/207  
See application file for complete search history.

(56) **References Cited**

**U.S. PATENT DOCUMENTS**

1,912,666	A *	6/1933	Swanson	.....	B23K 31/025
					144/241
D191,308	S *	9/1961	Key	.....	144/241
3,254,392	A *	6/1966	Novkov	.....	B23B 27/04
					407/113
3,518,737	A *	7/1970	Hood	.....	B23B 27/045
					407/113
3,660,877	A *	5/1972	Stein	.....	B23B 27/04
					407/117
3,748,710	A *	7/1973	Lynch	.....	B23B 27/08
					407/117
3,785,021	A *	1/1974	Norgren	.....	B23B 27/04
					407/110
4,195,956	A *	4/1980	Mihic	.....	B23B 27/04
					407/108

D255,801	S *	7/1980	Treloar	.....	D15/130
4,668,132	A *	5/1987	Villa	.....	B23B 27/045
					407/110
4,830,548	A *	5/1989	Kandarian	.....	B23B 51/05
					30/310
4,909,677	A *	3/1990	Noguchi	.....	B23B 27/04
					407/110
5,688,080	A *	11/1997	Hedlund	.....	B23B 27/04
					407/101
5,934,843	A *	8/1999	Brask	.....	B23B 27/04
					407/106
5,993,118	A *	11/1999	Brask	.....	B23B 27/04
					407/108
6,113,319	A *	9/2000	Hansson	.....	B23B 29/043
					407/109

(Continued)

*Primary Examiner* — Patricia A Palasik

(74) *Attorney, Agent, or Firm* — McAndrews, Held & Malloy, Ltd.

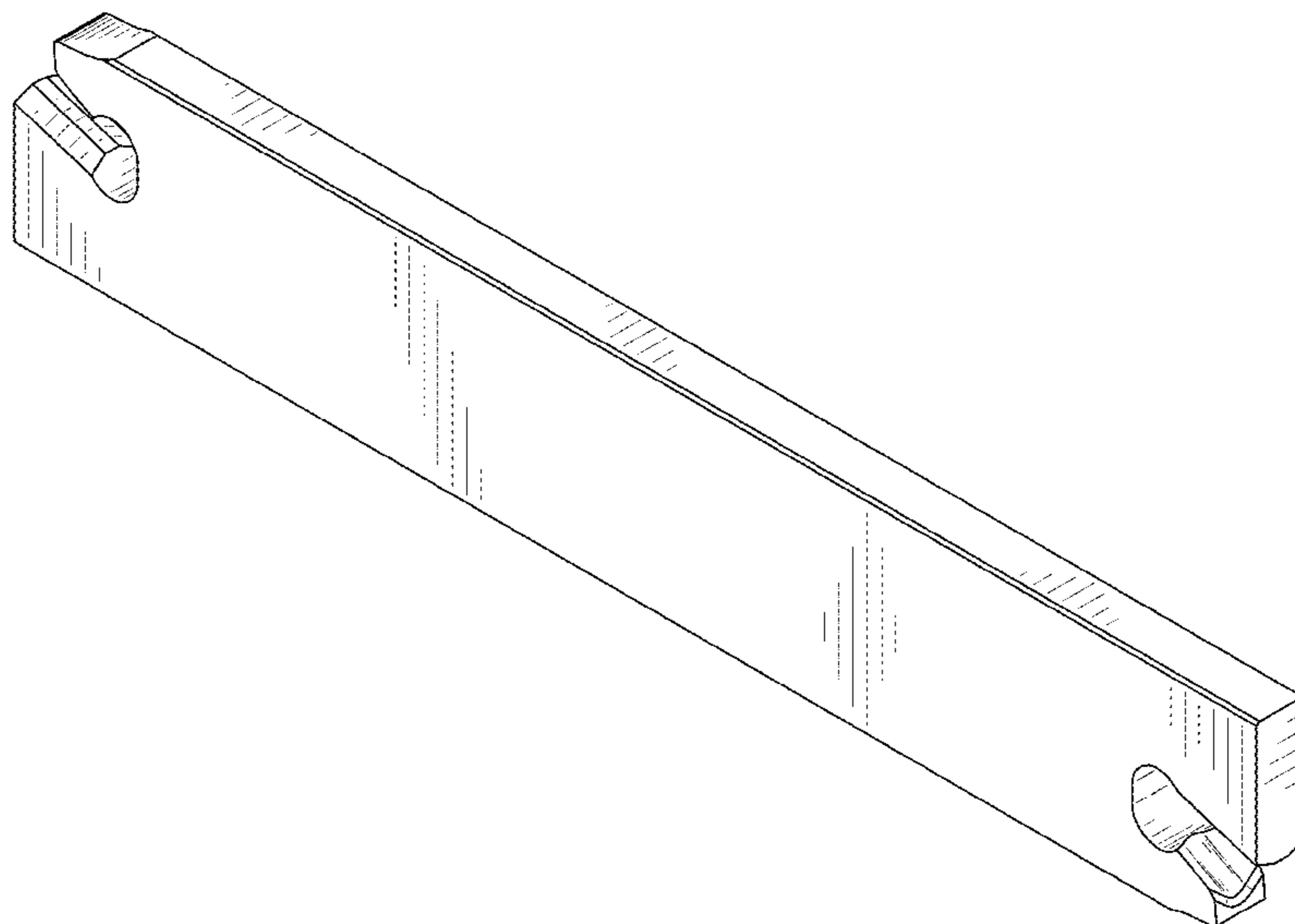
(57) **CLAIM**

The ornamental design for a cutting insert holder, as shown and described.

**DESCRIPTION**

FIG. 1 is a top perspective view of a cutting insert holder showing the new design; FIG. 2 is a right-side elevation view thereof; FIG. 3 is a left-side elevation view thereof; FIG. 4 is a rear elevation view thereof; FIG. 5 is a front elevation view thereof; FIG. 6 is a top plan view thereof; FIG. 7 is a bottom plan view thereof; and, FIG. 8 is a top perspective view of the cutting insert holder of FIG. 1 including a cutting insert installed therein. The dashed broken lines of the cutting tool or tool holder in the figures depict unclaimed environmental subject matter.

**1 Claim, 4 Drawing Sheets**



(56)

**References Cited**

U.S. PATENT DOCUMENTS

6,249,950	B1 *	6/2001	Brask .....	B23B 27/04 29/434
6,702,529	B1 *	3/2004	Tagtstrom .....	B23B 27/04 407/110
9,403,214	B2 *	8/2016	Hecht .....	B23B 27/04
2006/0159527	A1 *	7/2006	Nagaya .....	B23B 29/043 407/117
2009/0142149	A1 *	6/2009	Niemi .....	B23B 27/045 407/114
2015/0246397	A1 *	9/2015	Voege .....	B23B 29/043 407/66

\* cited by examiner

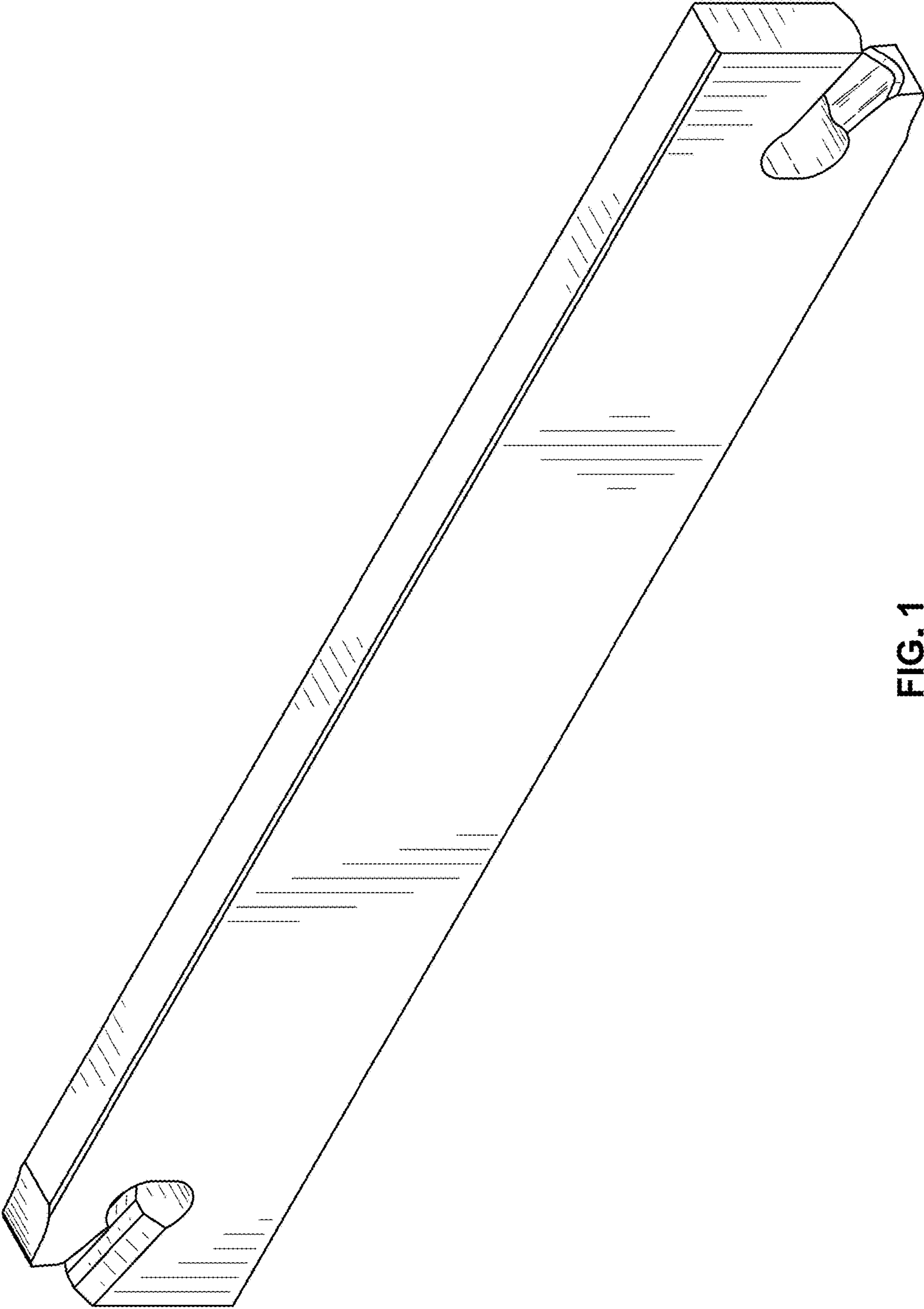


FIG. 1

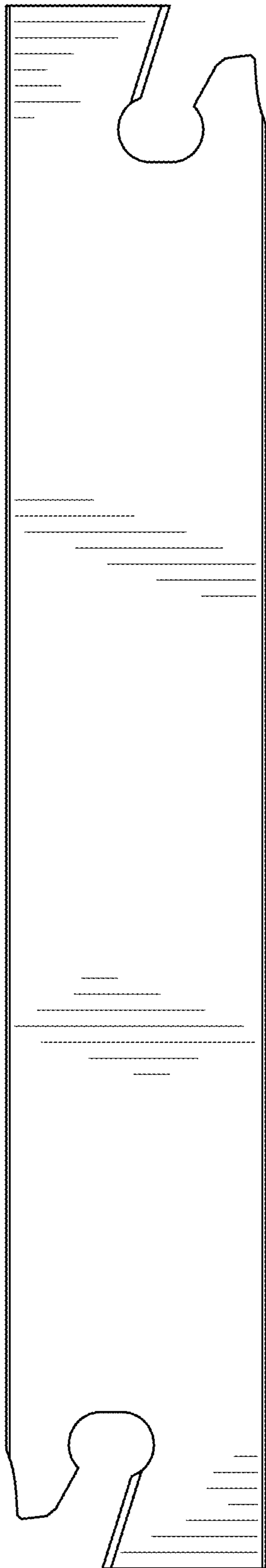


FIG. 2

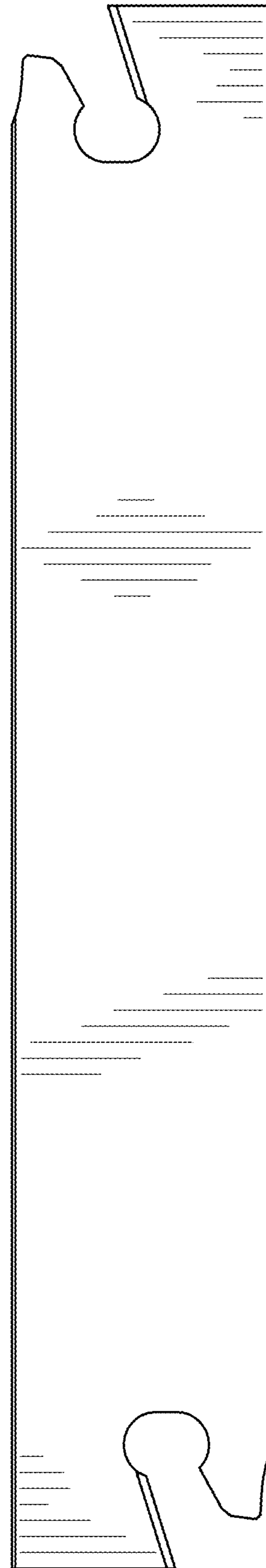


FIG. 3

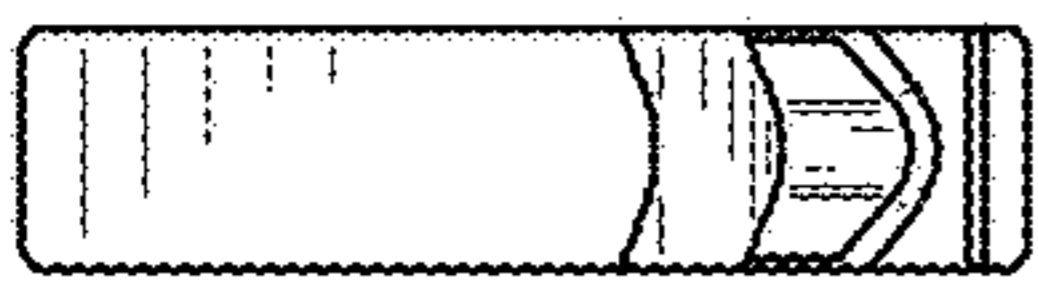


FIG. 4



FIG. 5

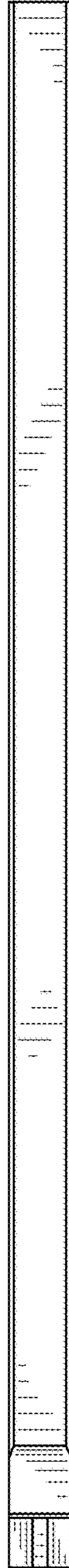


FIG. 6

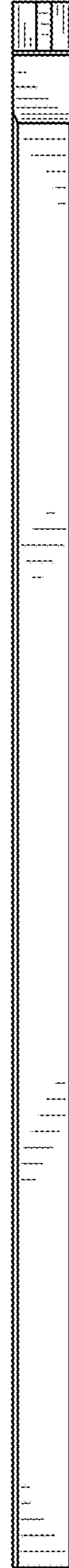


FIG. 7

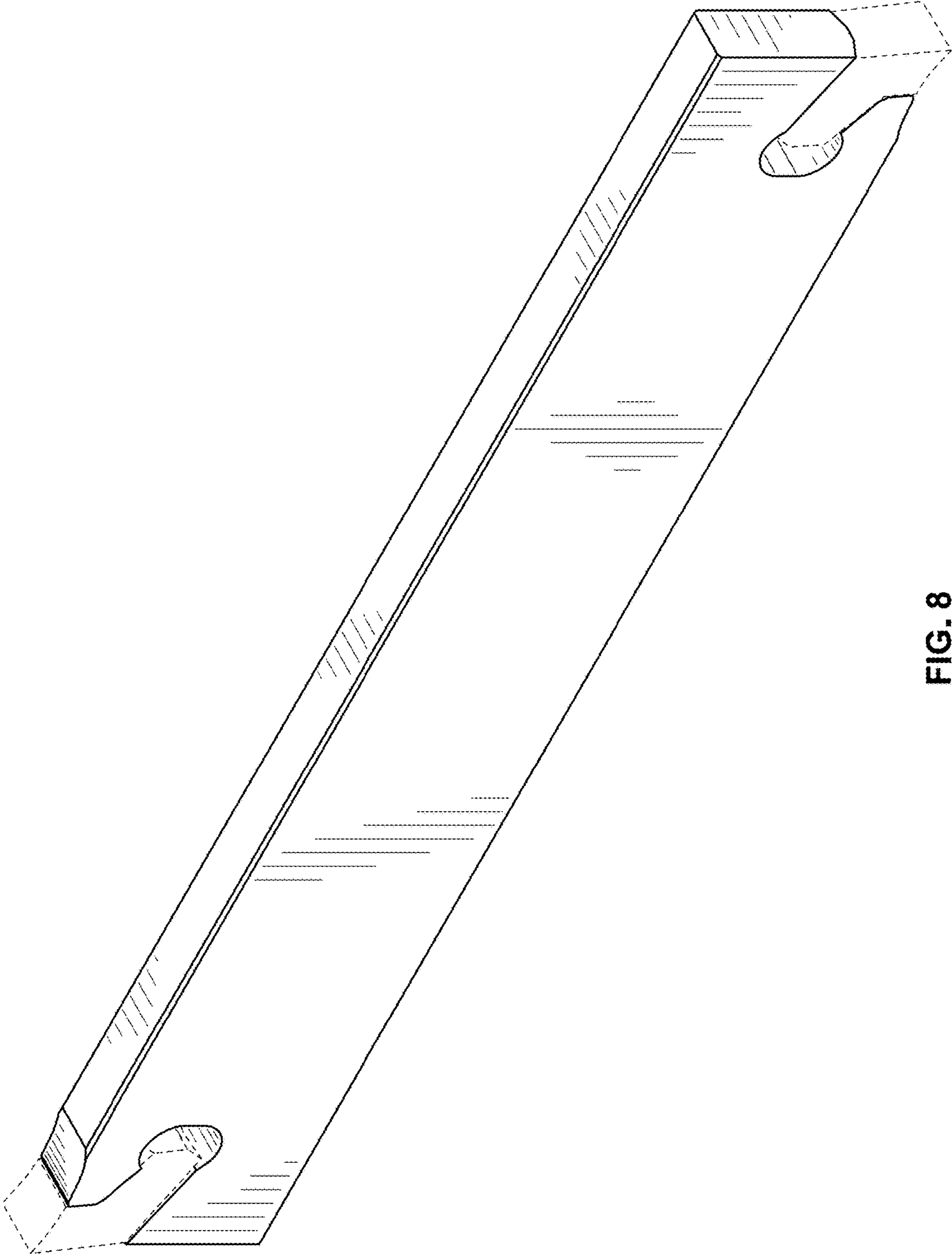


FIG. 8