



US00D836141S

(12) **United States Design Patent** (10) **Patent No.:** **US D836,141 S**
Torrealba et al. (45) **Date of Patent:** **** Dec. 18, 2018**

(54) **THREE-DIMENSIONAL PRINTER**

(56) **References Cited**

(71) Applicant: **Formlabs, Inc.**, Somerville, MA (US)

U.S. PATENT DOCUMENTS

(72) Inventors: **Eduardo Torrealba**, Cambridge, MA (US); **Maxim Lobovsky**, Cambridge, MA (US); **Yoav Reches**, Cambridge, MA (US); **Jason Livingston**, Somerville, MA (US); **Luke Plummer**, Belmont, MA (US); **Brian Chan**, Cambridge, MA (US)

D732,586 S *	6/2015	Chen	D15/122
D735,267 S *	7/2015	Chung	D18/50
D763,330 S *	8/2016	Olive	D15/122
D770,545 S *	11/2016	Olive	D15/122
D777,808 S *	1/2017	Chang	D15/122
D785,085 S *	4/2017	Lee	D18/55
D787,574 S *	5/2017	Lee	D15/122
D788,843 S *	6/2017	Lee	D18/55
D808,453 S *	1/2018	Share	D15/199
D809,574 S *	2/2018	Lin	D15/122
D810,156 S *	2/2018	Lin	D15/135

(73) Assignee: **Formlabs, Inc.**, Somerville, MA (US)

* cited by examiner

(**) Term: **15 Years**

Primary Examiner — Ian Simmons

(21) Appl. No.: **29/603,007**

Assistant Examiner — Khawaja Anwar

(22) Filed: **May 5, 2017**

(74) *Attorney, Agent, or Firm* — Wolf, Greenfield & Sacks, P.C.

(51) **LOC (11) Cl.** **15-03**

(52) **U.S. Cl.**
USPC **D15/122**

(57) **CLAIM**

(58) **Field of Classification Search**
USPC D15/122, 135, 138, 145, 146; D18/6, 7, D18/14, 19, 50, 54.1, 55

The ornamental design for a three-dimensional printer, as shown and described.

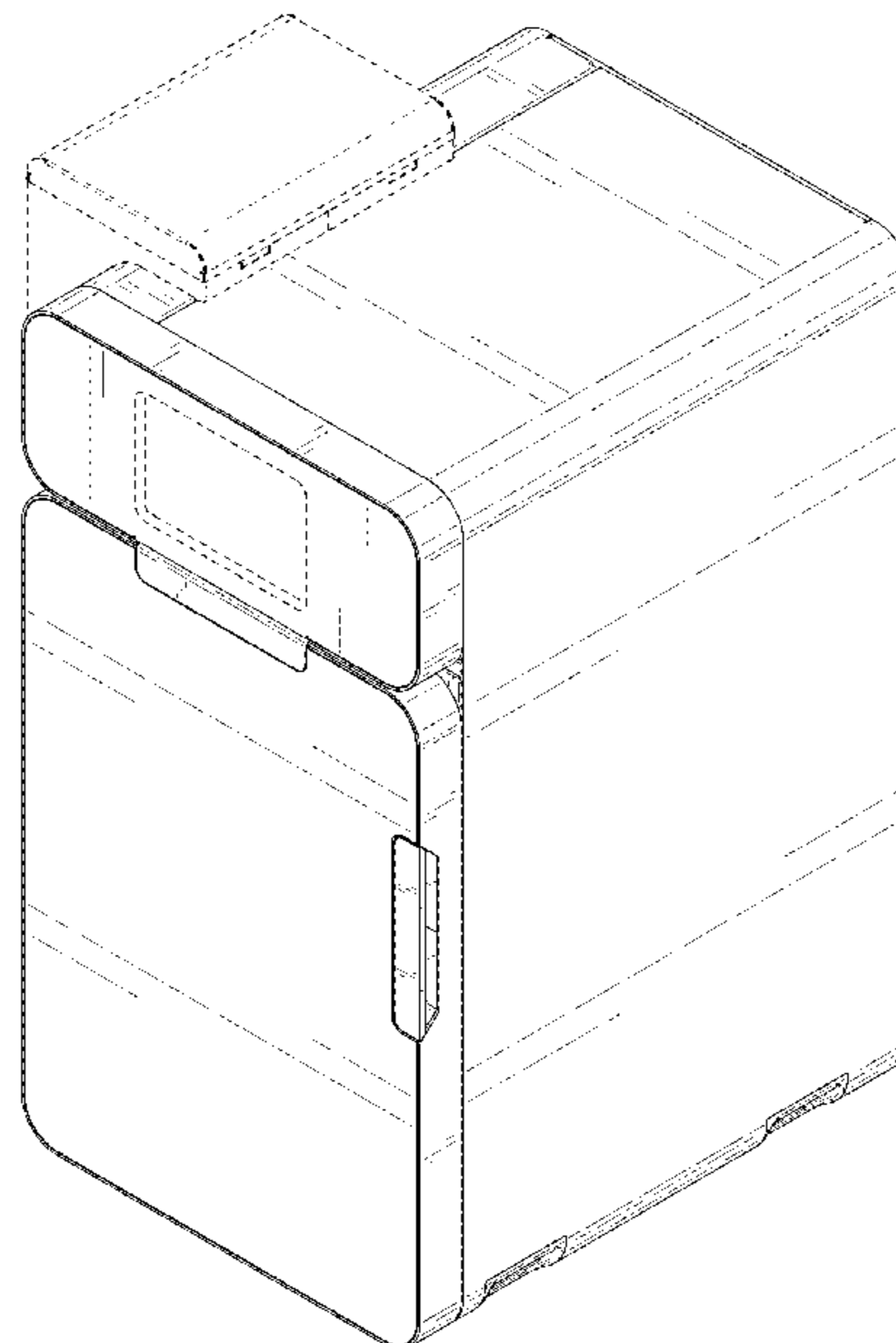
CPC G06T 11/206; G06T 11/60; G06T 15/00; G06T 2207/30201; G06T 7/0012; G06T 7/11; G06T 11/001; G06T 11/003; G06T 11/40; G06T 13/00; G06T 15/005; G06T 15/02; G06T 15/04; G06T 15/10; G06T 15/20; G06T 15/503; G06T 15/60; G06T 15/80; G06T 19/00; G06T 19/20; G06T 1/20; G06T 2200/24; G06T 2207/10024; G06T 2207/10068; G06T 2207/10132; G06T 2207/20221; G06T 2207/30028; G06T 2207/30048; G06T 2207/30104; G06T 7/00; G06T 7/149; G06T 7/248; G06T 7/64

DESCRIPTION

FIG. 1 is a top, front, right perspective view of a three-dimensional printer showing our new design;
 FIG. 2 is a front view thereof;
 FIG. 3 is a back view thereof;
 FIG. 4 is a left-side view thereof;
 FIG. 5 is a right-side view thereof;
 FIG. 6 is a top view thereof; and,
 FIG. 7 is a bottom view thereof.
 The broken lines illustrate portions of the three-dimensional printer that form no part of the claimed design.

See application file for complete search history.

1 Claim, 7 Drawing Sheets



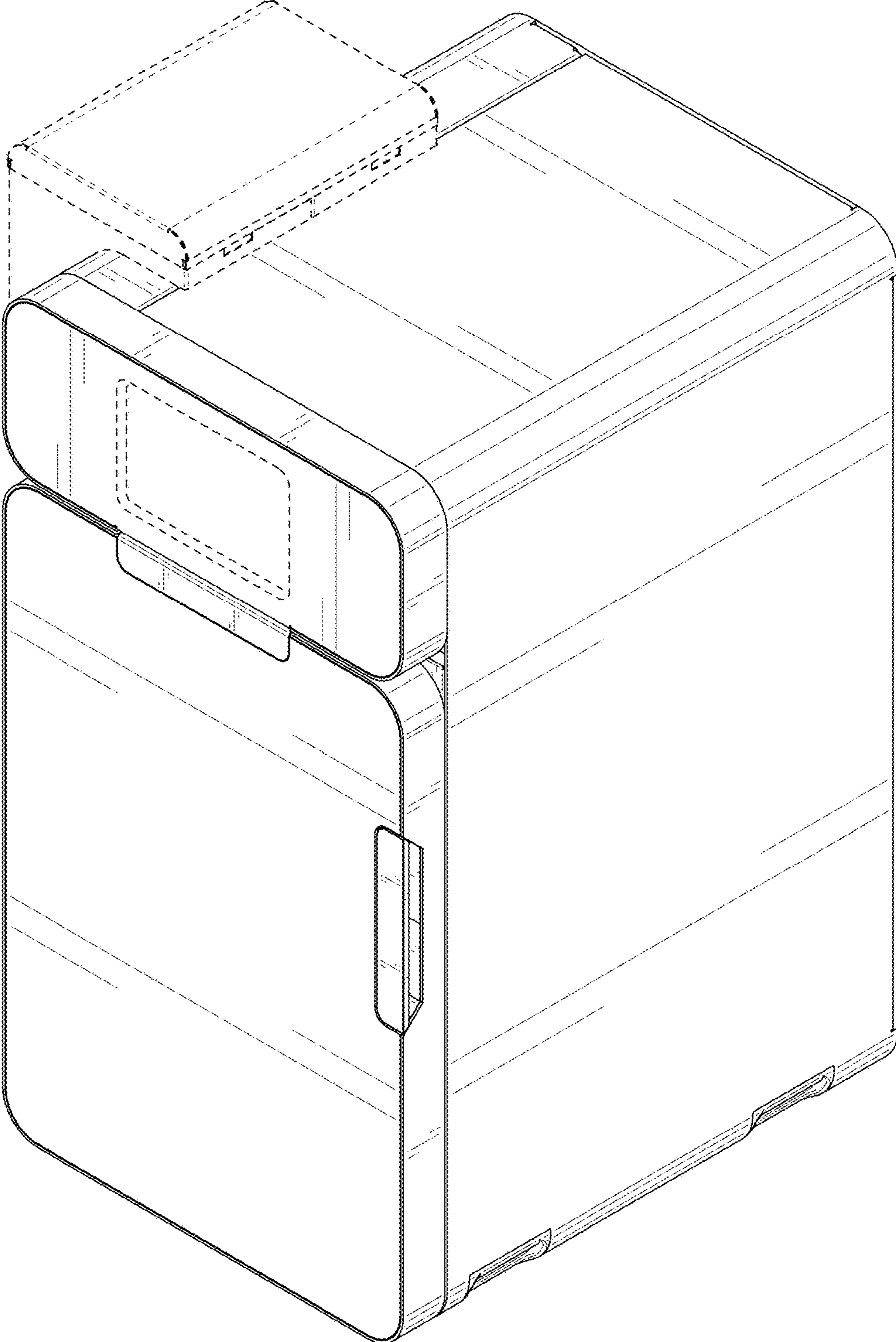


FIG. 1

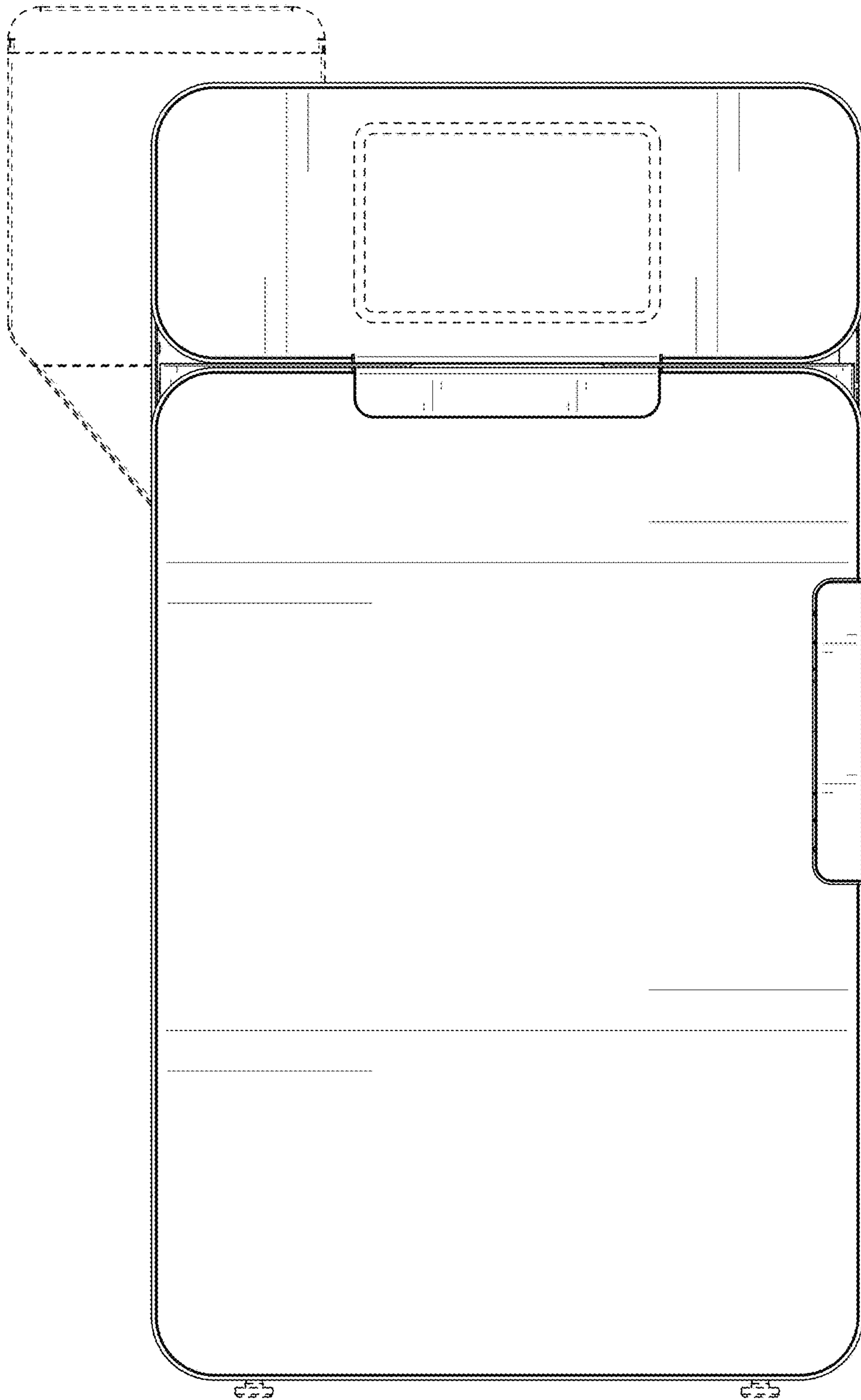


FIG. 2

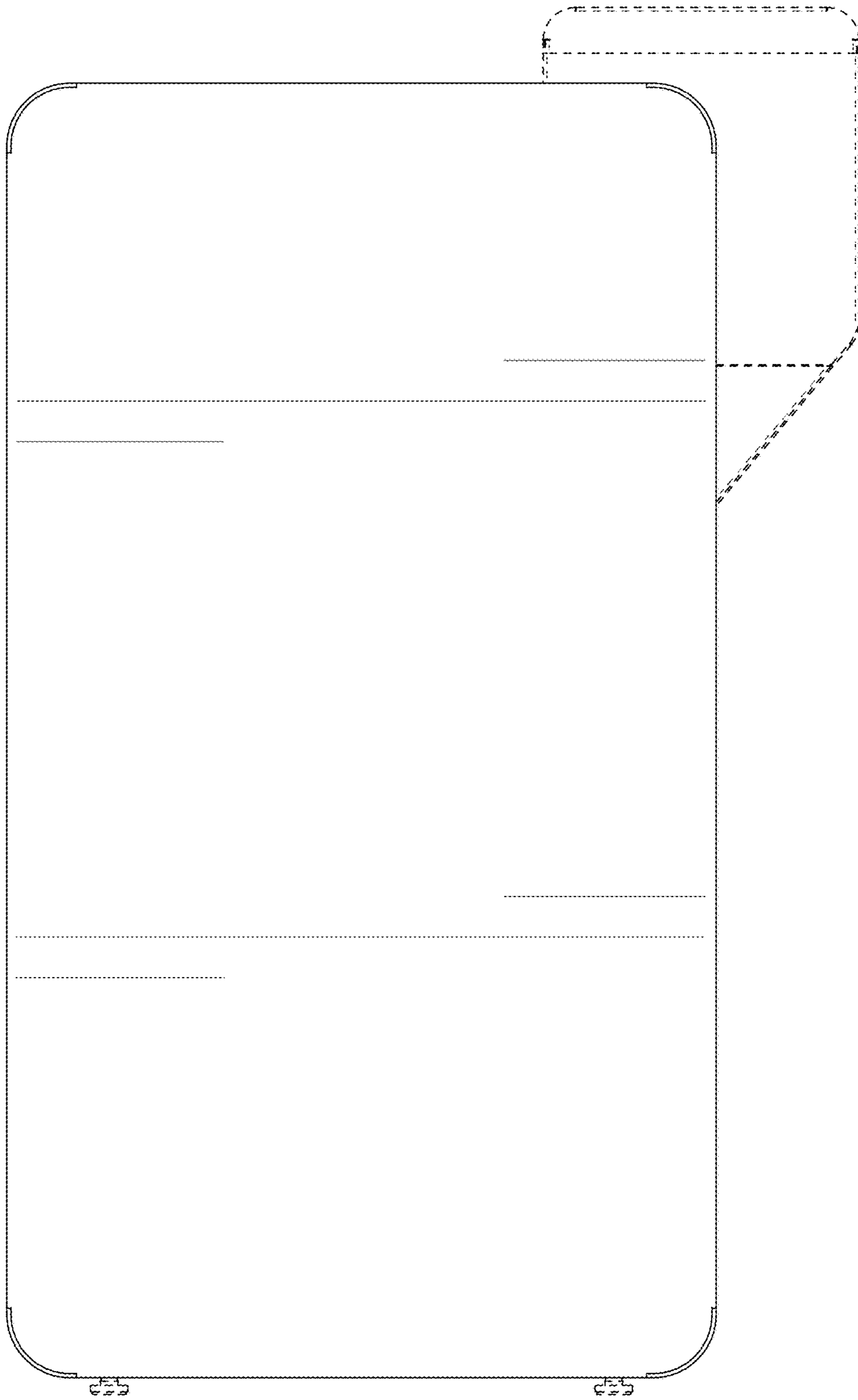


FIG. 3

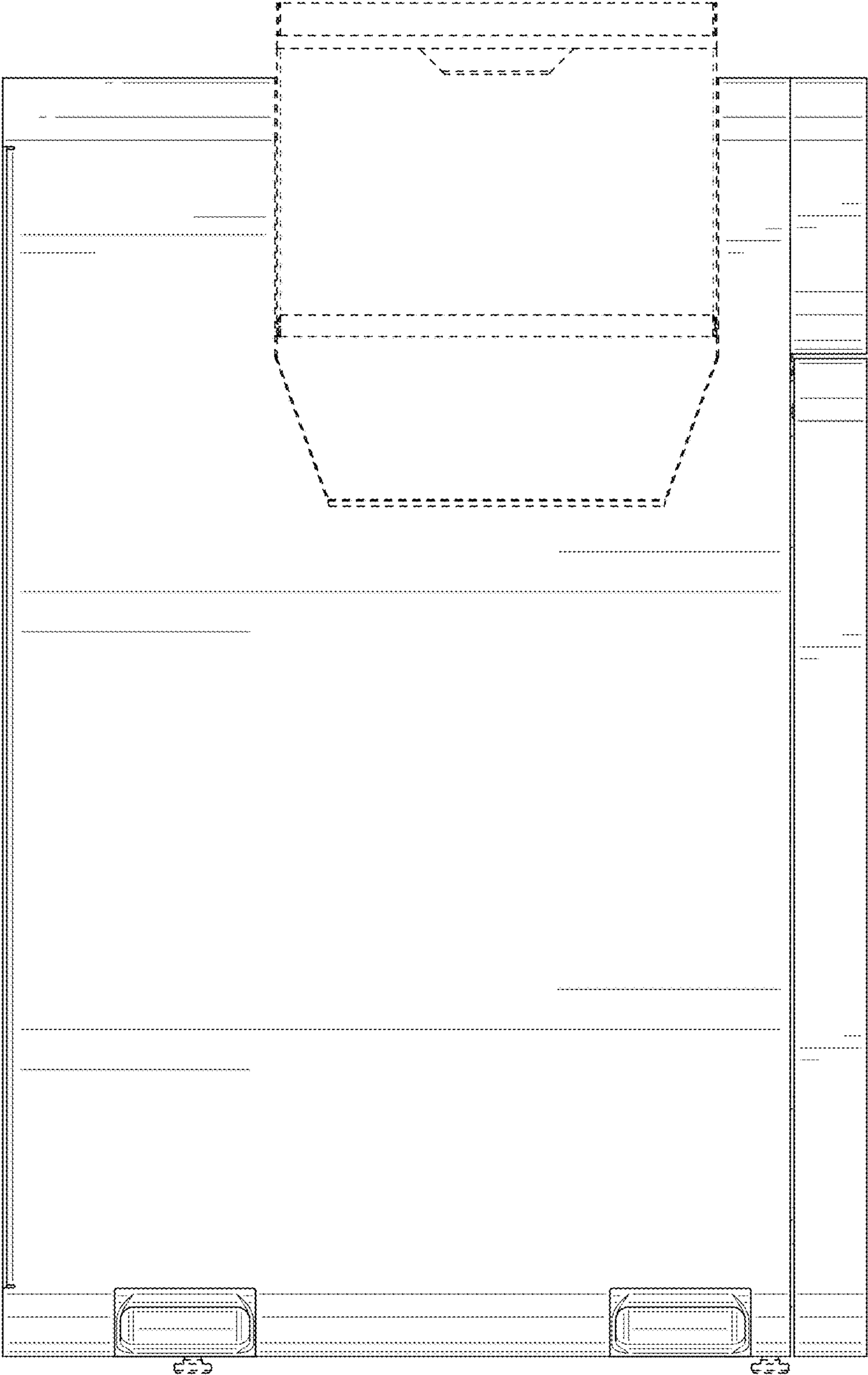


FIG. 4

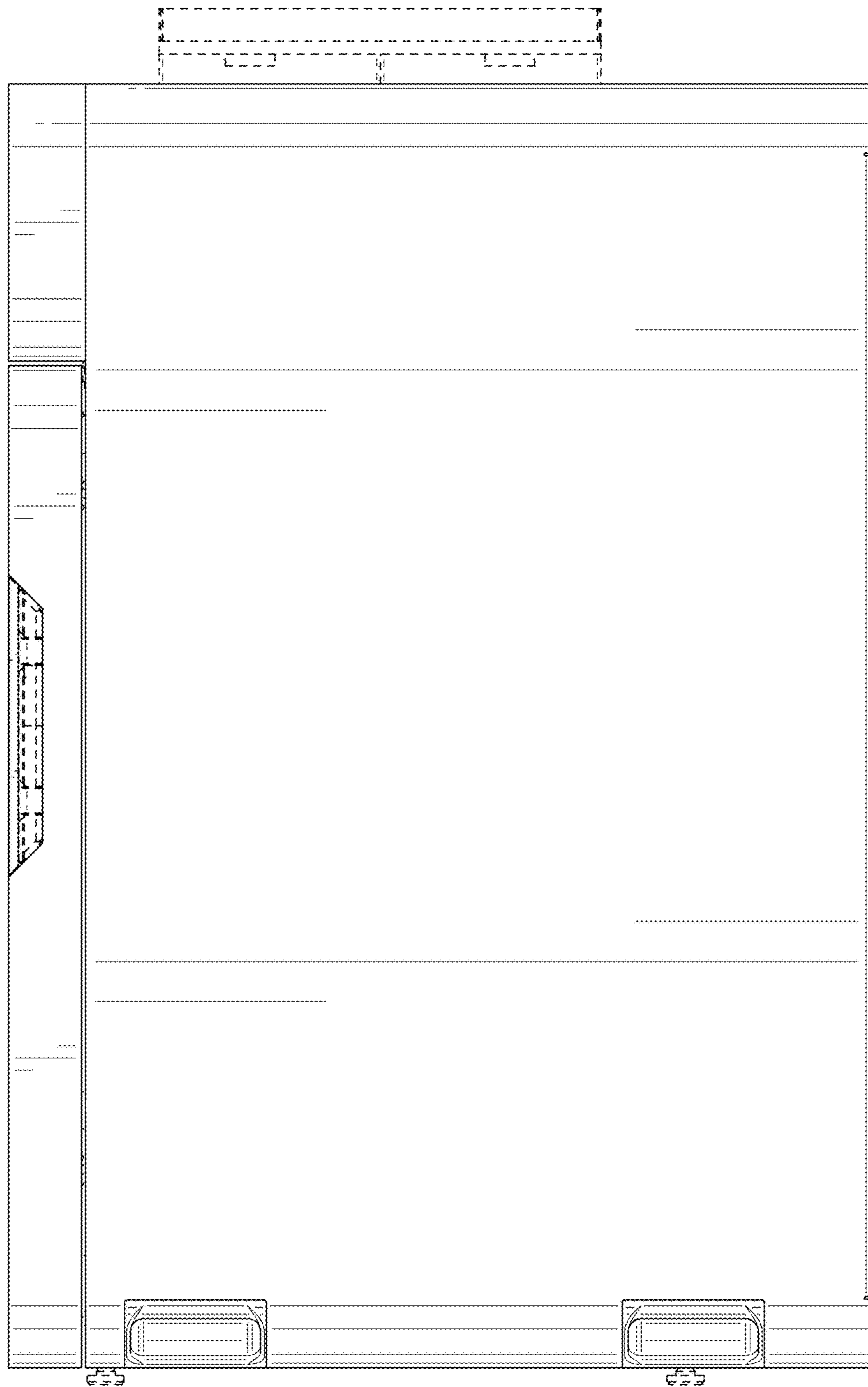


FIG. 5

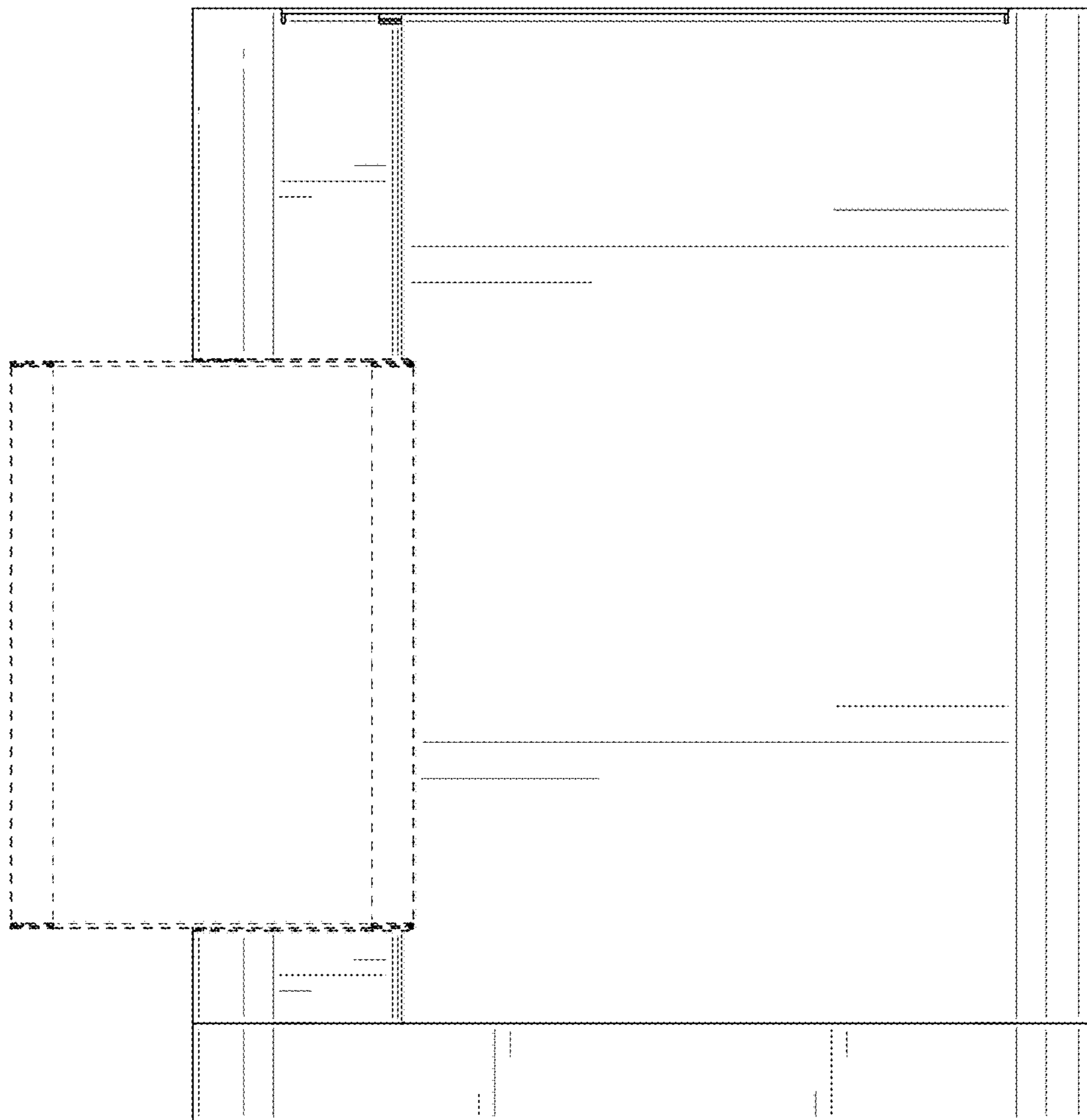


FIG. 6

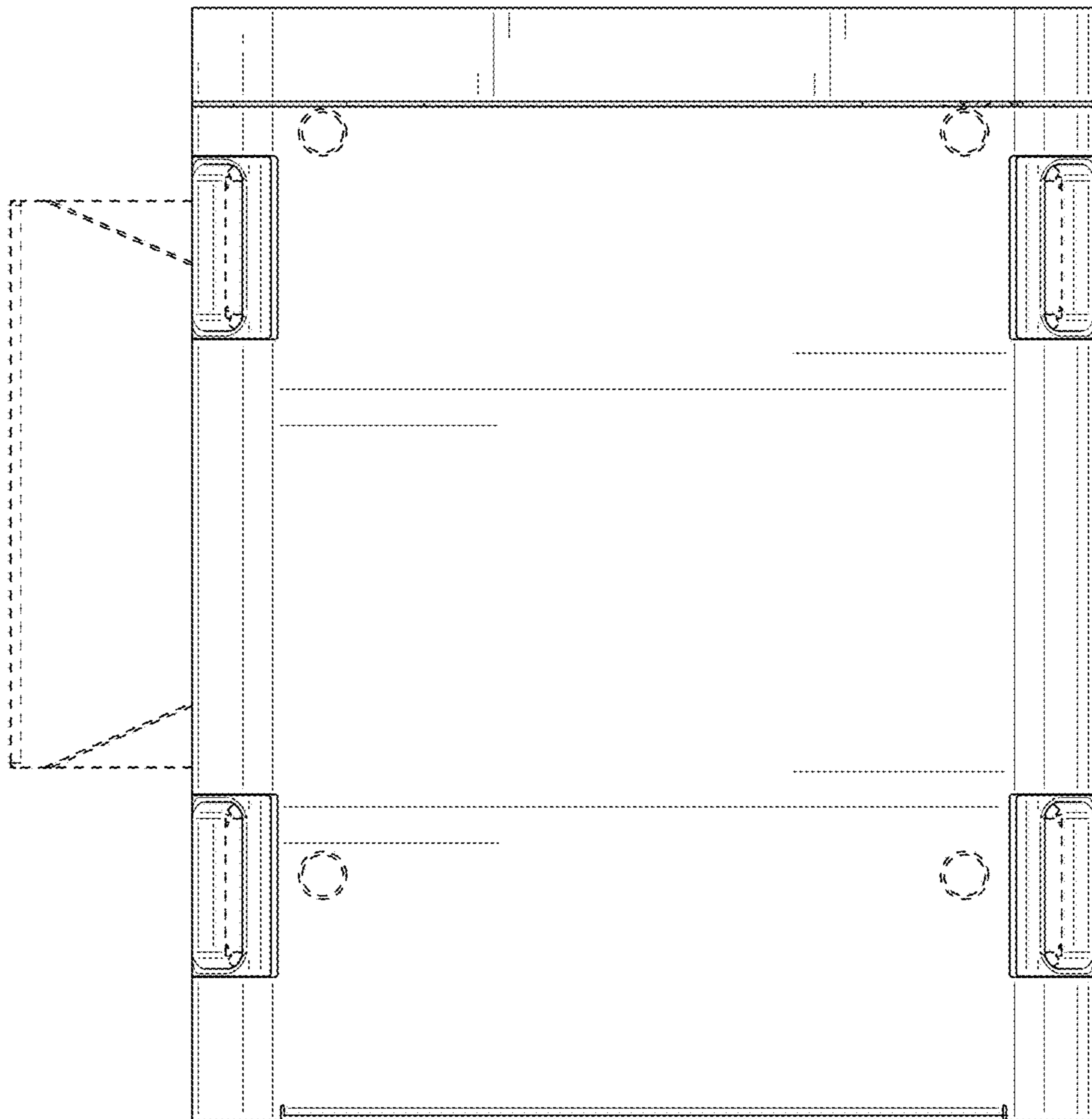


FIG. 7