



US00D836139S

(12) **United States Design Patent** (10) **Patent No.:** **US D836,139 S**
Niclot et al. (45) **Date of Patent:** **** Dec. 18, 2018**

(54) **ENGINE HOOD OF AN AGRICULTURAL WORK VEHICLE**

(71) Applicant: **CNH Industrial America LLC**, New Holland, PA (US)

(72) Inventors: **Giampiero Vietti Niclot**, Turin (IT); **Jakub Maria Sulikowski**, Modena (IT)

(73) Assignee: **CNH Industrial America LLC**, New Holland, PA (US)

(**) Term: **15 Years**

(21) Appl. No.: **29/615,078**

(22) Filed: **Aug. 25, 2017**

(51) **LOC (11) Cl.** **15-03**

(52) **U.S. Cl.**
USPC **D15/31**

(58) **Field of Classification Search**
USPC D15/10, 11, 13-17, 28, 22-26, 30, 31;
D12/173; 56/13.3, 13.4, 15.8, 15.9,
56/320.1; 180/89.1, 89.12, 900, 69.2,
180/68.1, 69.1
CPC B62D 49/00-49/085; B62D 25/10; B62D
25/00; B60R 19/52; B60R 21/38
See application file for complete search history.

(56) **References Cited**

U.S. PATENT DOCUMENTS

D537,090 S *	2/2007	Kuwae	D15/31
D546,351 S *	7/2007	Arthur	D15/31
D586,828 S *	2/2009	Staines	D15/31
D591,777 S *	5/2009	Kokitkar	D15/31
D596,205 S *	7/2009	Kawashiri	D15/31
D605,669 S *	12/2009	Matsumoto	D15/31
D624,944 S *	10/2010	Major	D15/31
D642,598 S *	8/2011	Wikner	D15/31

D680,562 S *	4/2013	Park	D15/31
D754,215 S *	4/2016	Okuyama	D15/31
D767,645 S *	9/2016	Okuyama	D15/31
D778,963 S *	2/2017	Yang	D15/31
D778,964 S *	2/2017	Yang	D15/31
D804,539 S *	12/2017	Okuyama	D15/31

* cited by examiner

Primary Examiner — Mark A Goodwin

(74) *Attorney, Agent, or Firm* — Richard K. DeMille;
Rebecca L. Henkel

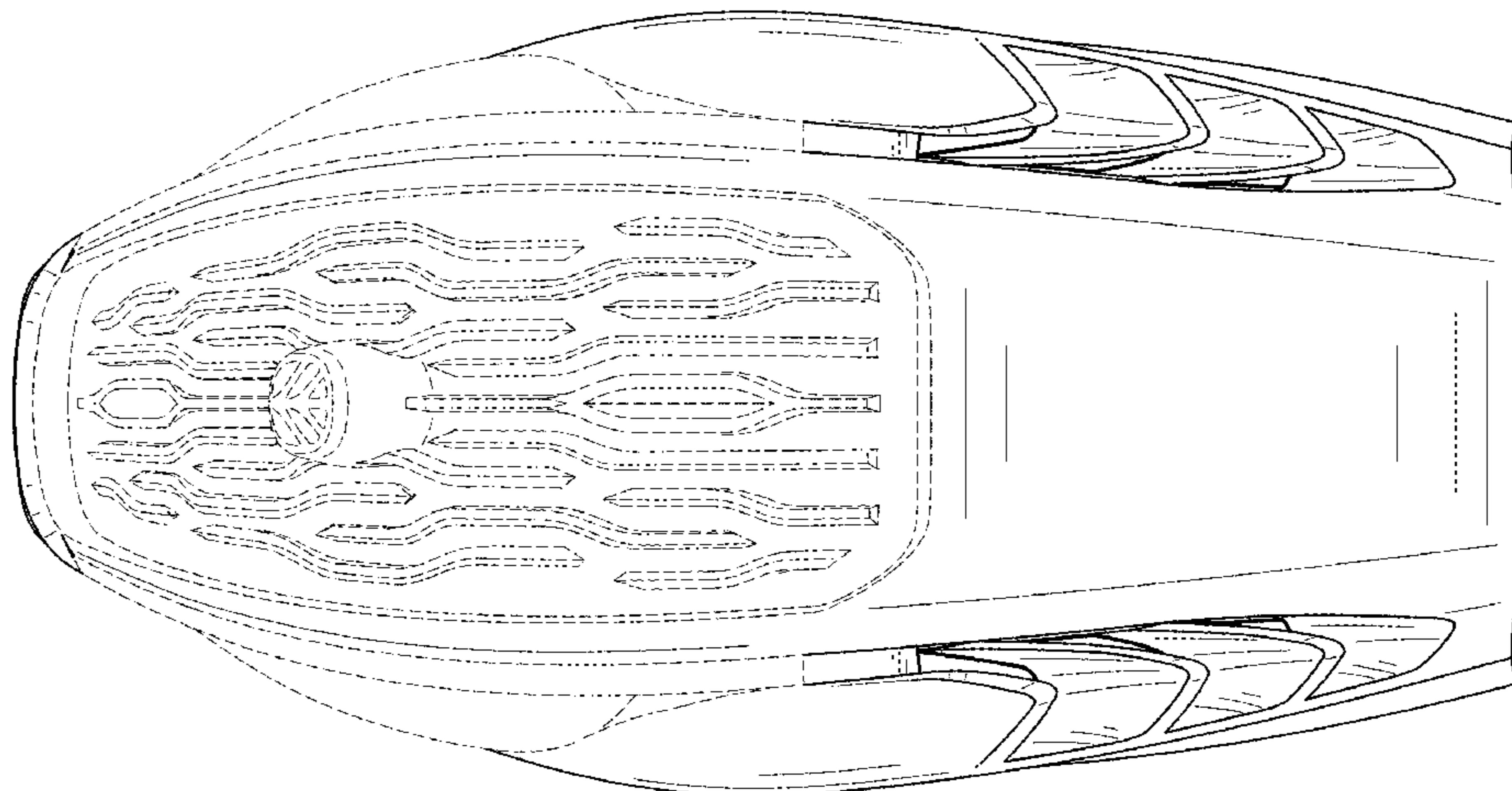
(57) **CLAIM**

The ornamental design for an engine hood of an agricultural work vehicle, substantially as shown and described.

DESCRIPTION

FIG. 1 is a perspective view of an engine hood of an agricultural work vehicle;
FIG. 2 is a perspective view of the engine hood of an agricultural work vehicle;
FIG. 3 is a left side view of the engine hood of an agricultural work vehicle;
FIG. 4 is a right side view of the engine hood of an agricultural work vehicle;
FIG. 5 is a front view of the engine hood of an agricultural work vehicle;
FIG. 6 is a back view of the engine hood of an agricultural work vehicle;
FIG. 7 is a top view of the engine hood of an agricultural work vehicle; and,
FIG. 8 is a bottom view of the engine hood of an agricultural work vehicle.
Phantom lines, where utilized, are for illustrative purposes only and form no part of the claimed design.

1 Claim, 8 Drawing Sheets



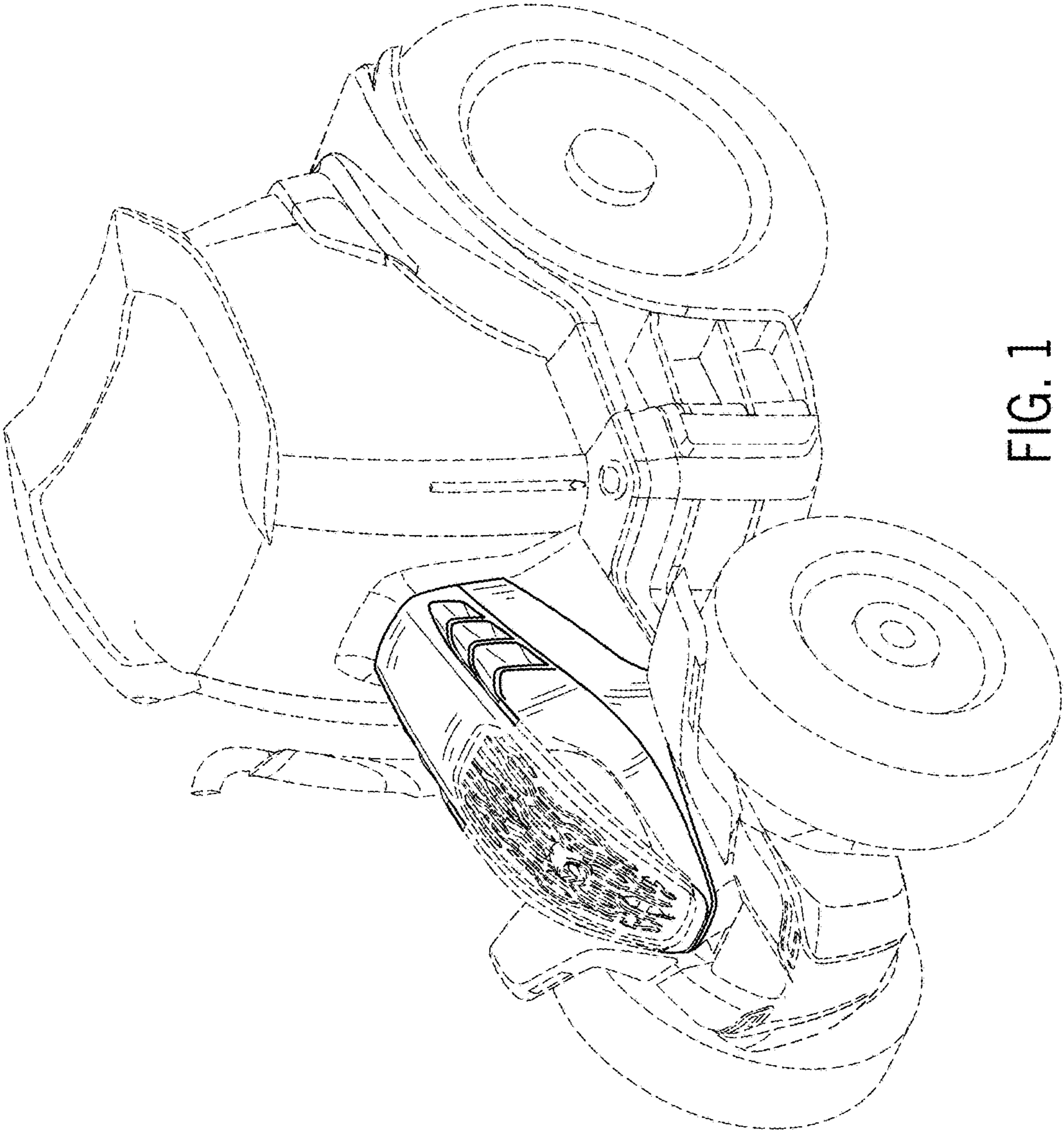


FIG. 1

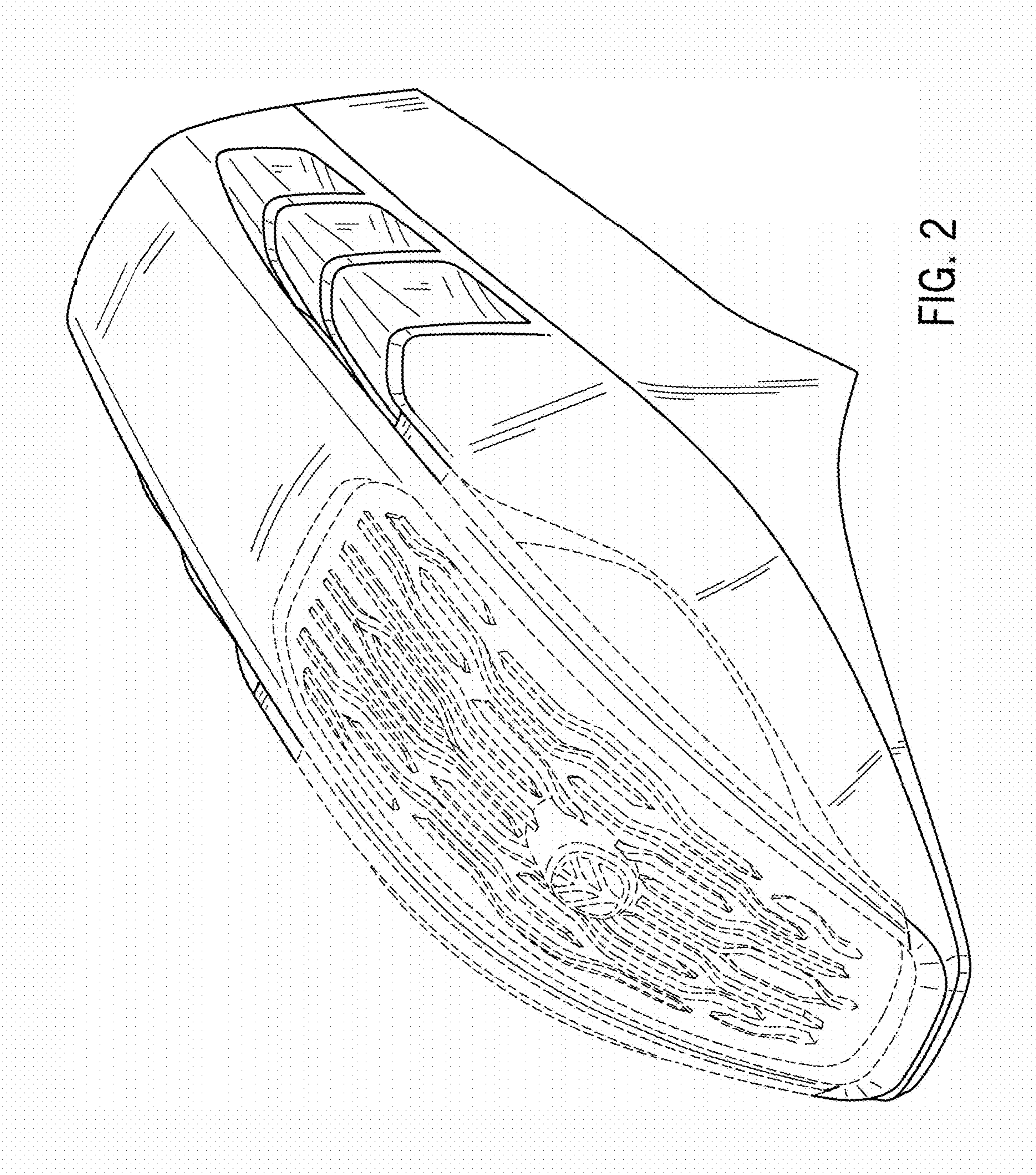


FIG. 2

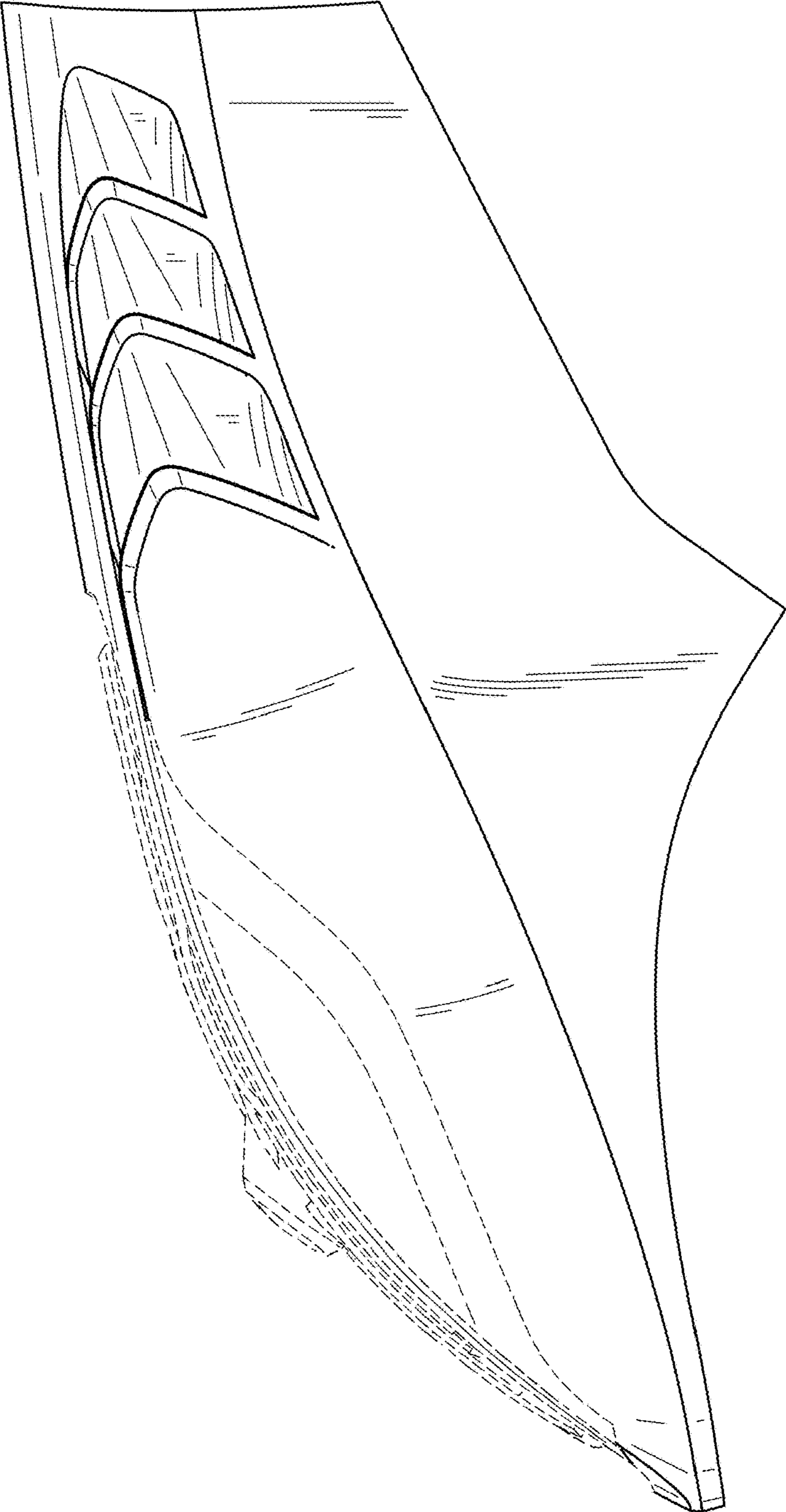


FIG. 3

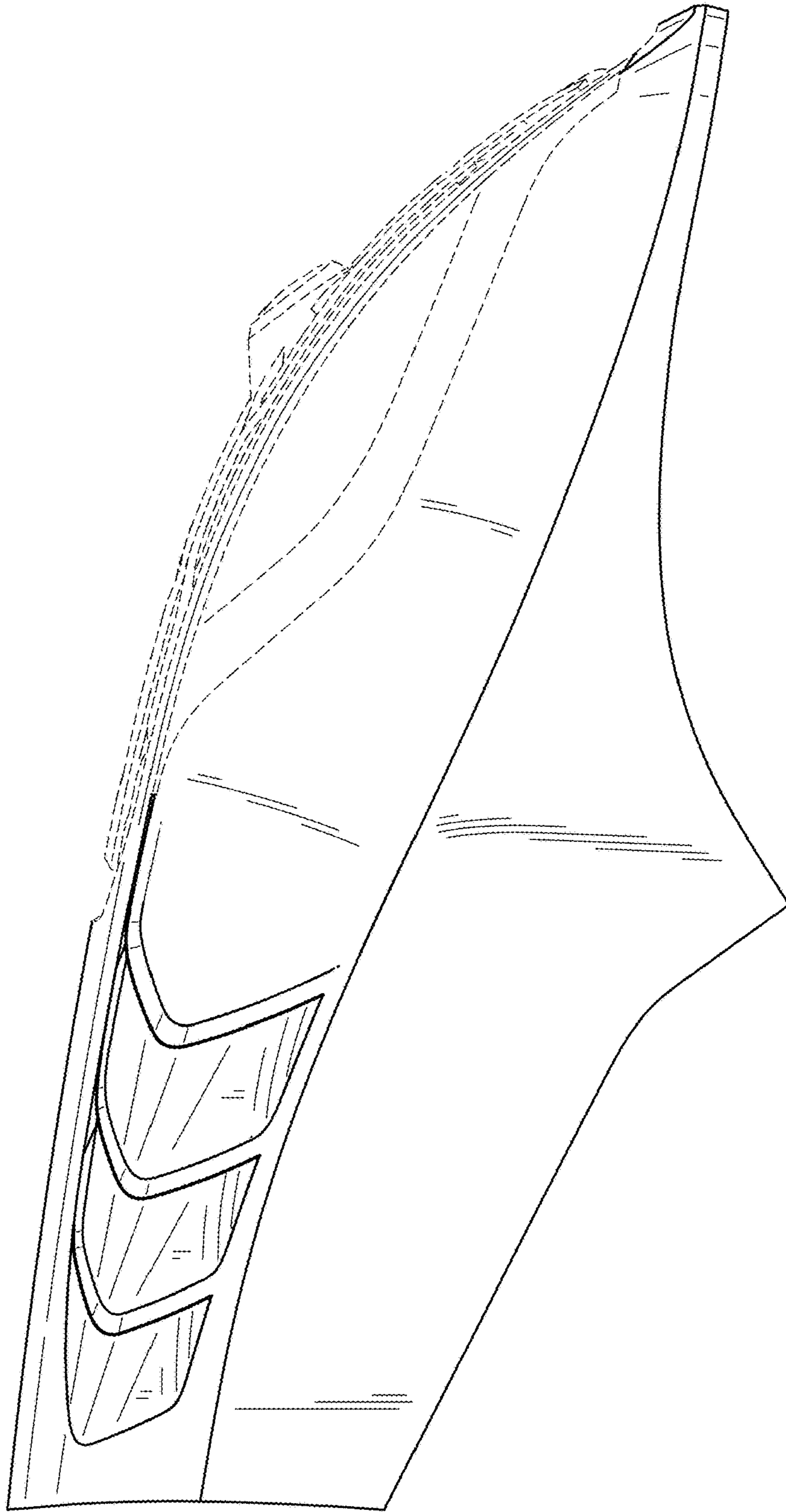


FIG. 4

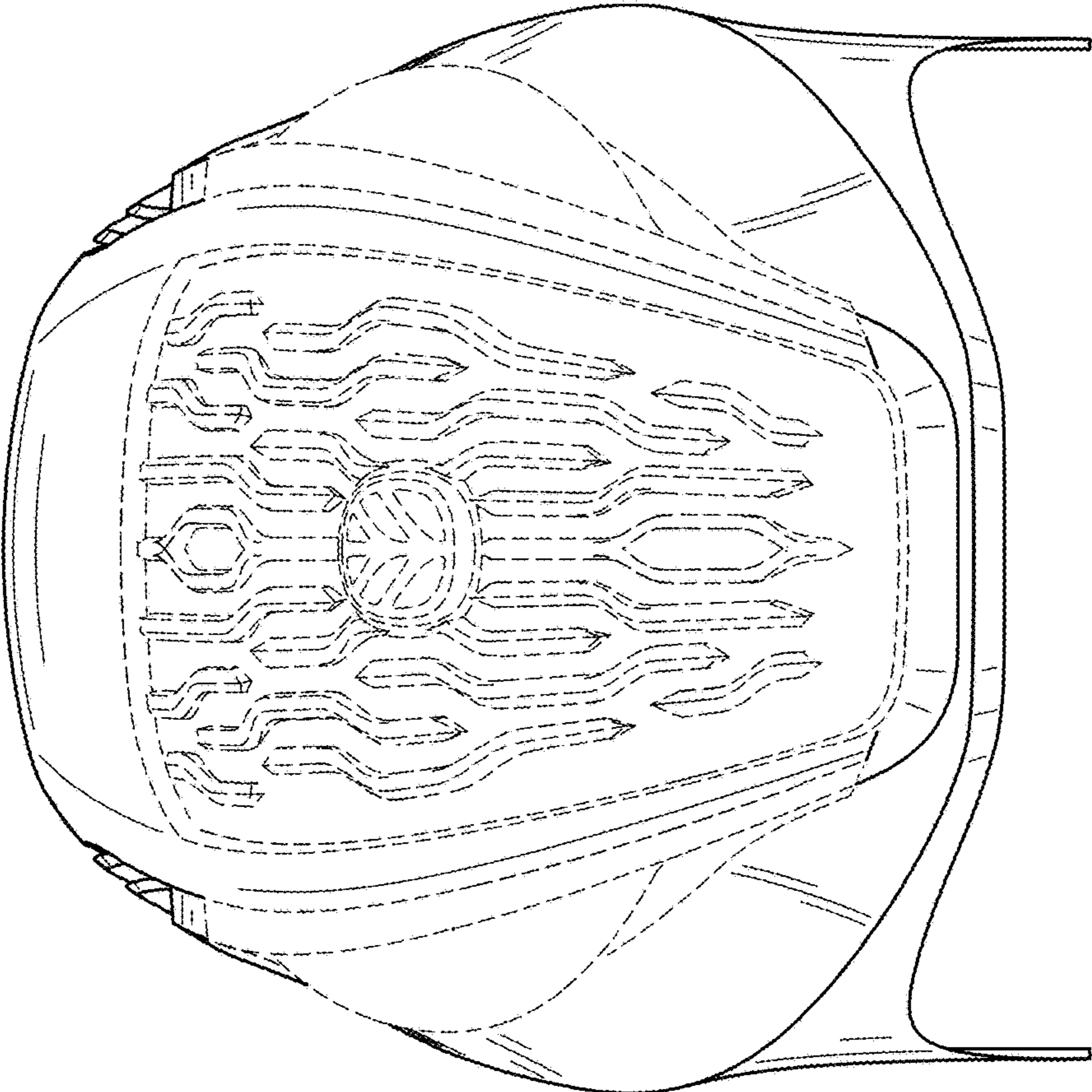


FIG. 5

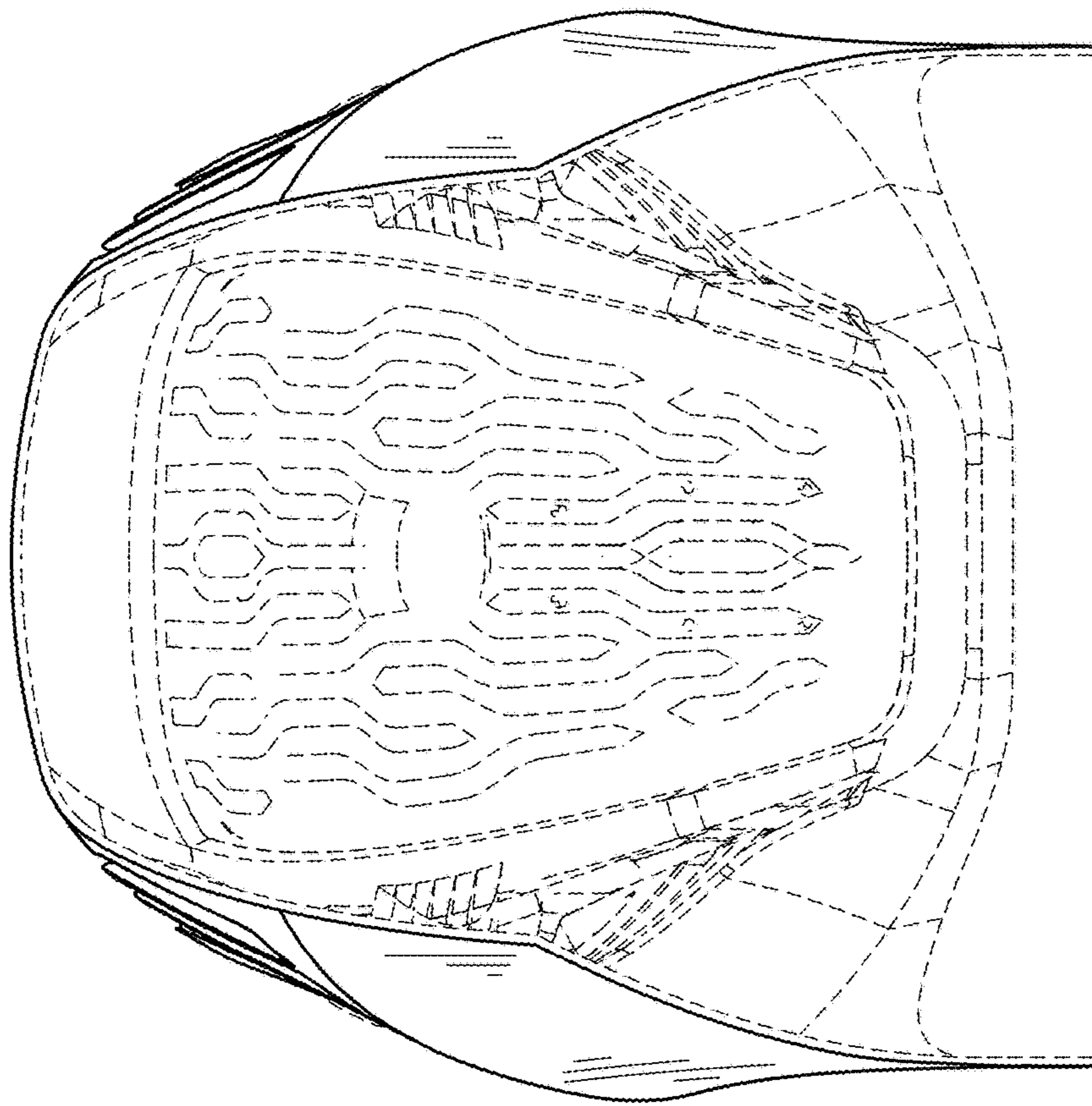


FIG. 6

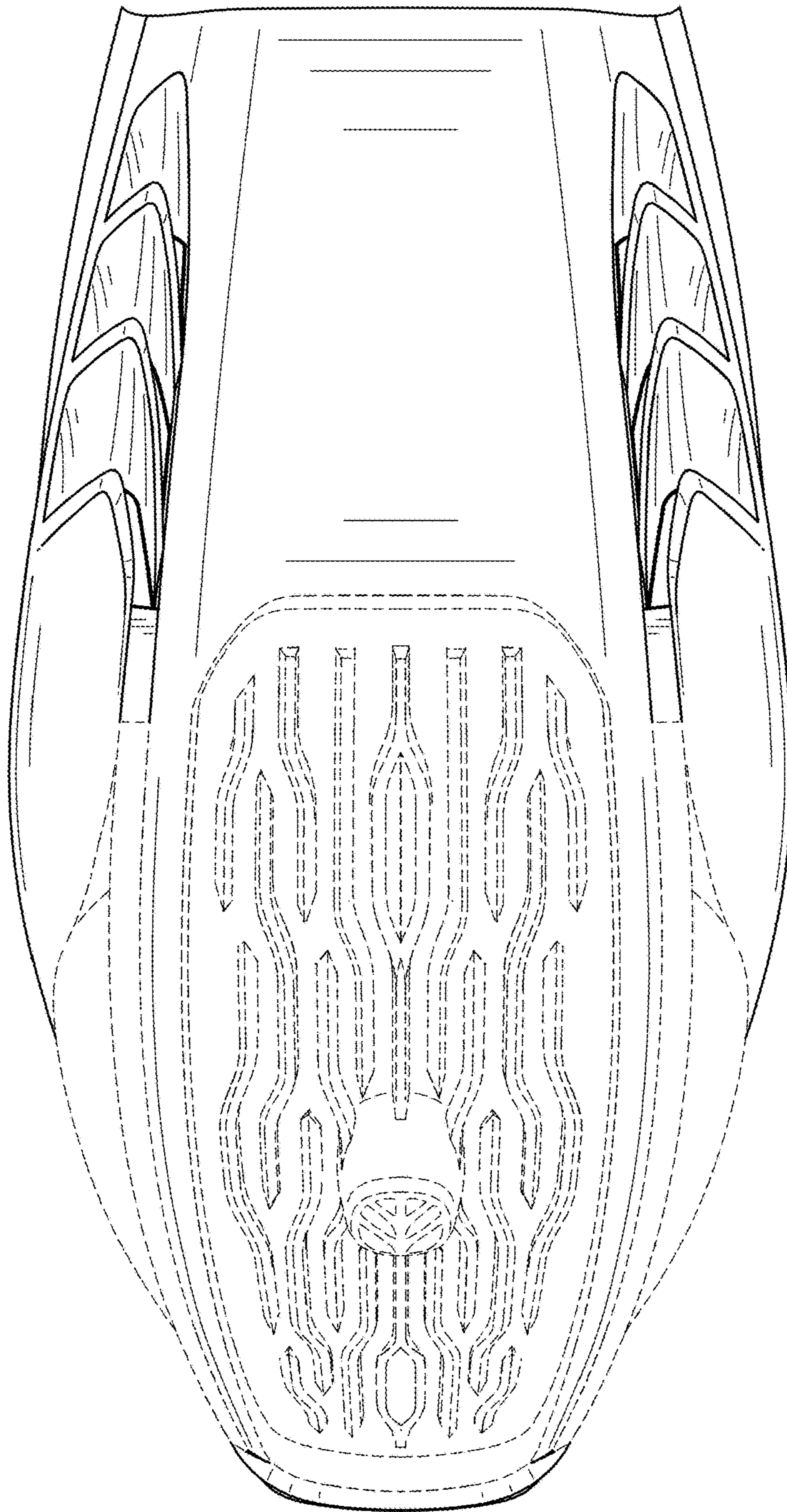


FIG. 7

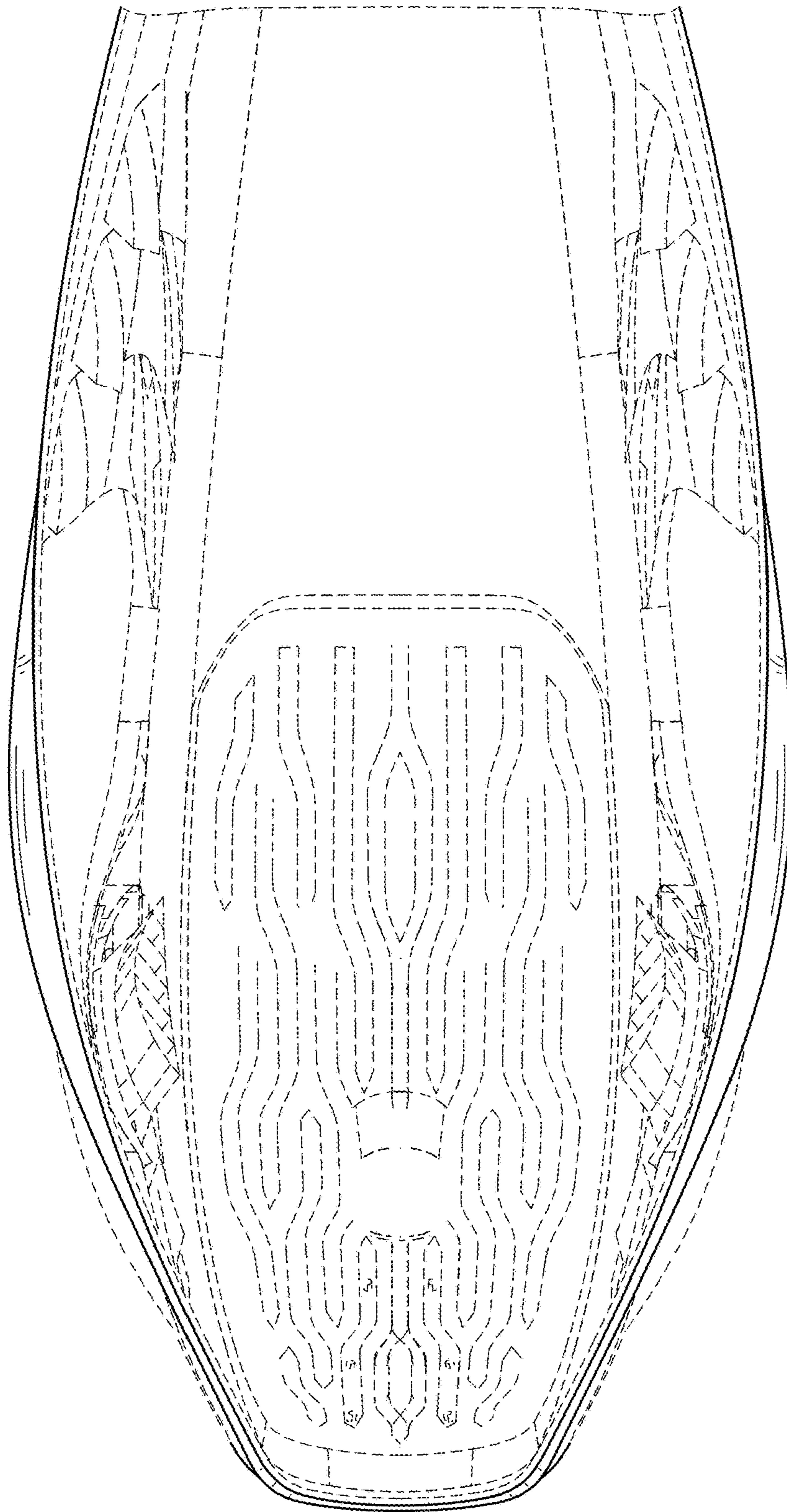


FIG. 8