



US00D836136S

(12) **United States Design Patent** (10) **Patent No.:** **US D836,136 S**
Tiefenthaler (45) **Date of Patent:** **** Dec. 18, 2018**

(54) **ENGINE**
(71) Applicant: **Briggs & Stratton Corporation,**
Wauwatosa, WI (US)
(72) Inventor: **Carl T. Tiefenthaler,** Jackson, WI (US)
(73) Assignee: **Briggs & Stratton Corporation,**
Wauwatosa, WI (US)
(**) Term: **15 Years**

D668,264 S 10/2012 Tiefenthaler
D671,559 S 11/2012 Martinek et al.
D673,980 S 1/2013 Tiefenthaler
D679,289 S 4/2013 Tiefenthaler
D689,522 S 9/2013 Johnson et al.
D691,177 S 10/2013 Tiefenthaler
D695,317 S * 12/2013 Yano D15/1
D709,522 S * 7/2014 Yano D15/1
D709,523 S * 7/2014 Nonaka D15/1
D751,118 S * 3/2016 Suzuki D15/1
D771,143 S * 11/2016 Yu D15/1
2006/0266338 A1* 11/2006 Kashima B60K 15/03504
123/519
2009/0038879 A1 2/2009 Sato et al.
2009/0199793 A1* 8/2009 Sato F01P 1/02
123/41.62

(21) Appl. No.: **29/594,461**

(22) Filed: **Feb. 17, 2017**

(51) **LOC (11) Cl.** **15-01**
(52) **U.S. Cl.**
USPC **D15/5**

(58) **Field of Classification Search**
USPC D15/1, 2, 3, 4, 5
CPC ... F01P 5/02; F01P 1/02; F02B 75/007; F02B
77/02; F02B 2700/03; F02B 75/16; F02B
63/00; F02B 63/02; F02F 1/34
See application file for complete search history.

(56) **References Cited**

U.S. PATENT DOCUMENTS

D516,580 S 3/2006 Li
D529,046 S * 9/2006 Maeda D15/1
D552,128 S * 10/2007 Li D15/1
D583,829 S * 12/2008 Fan D15/1
D595,737 S * 7/2009 Neeley D15/1
D610,163 S * 2/2010 Wood D15/1
D612,402 S 3/2010 Dai et al.
D628,597 S * 12/2010 Dai D15/1
D634,333 S 3/2011 Johnson et al.
D638,444 S 5/2011 He et al.
D647,536 S 10/2011 Tiefenthaler
D663,322 S 7/2012 Sullivan et al.
D667,463 S 9/2012 Tiefenthaler
D667,464 S 9/2012 Tiefenthaler

(Continued)

Primary Examiner — T Chase Nelson
Assistant Examiner — Ania Aman
(74) *Attorney, Agent, or Firm* — Foley & Lardner LLP

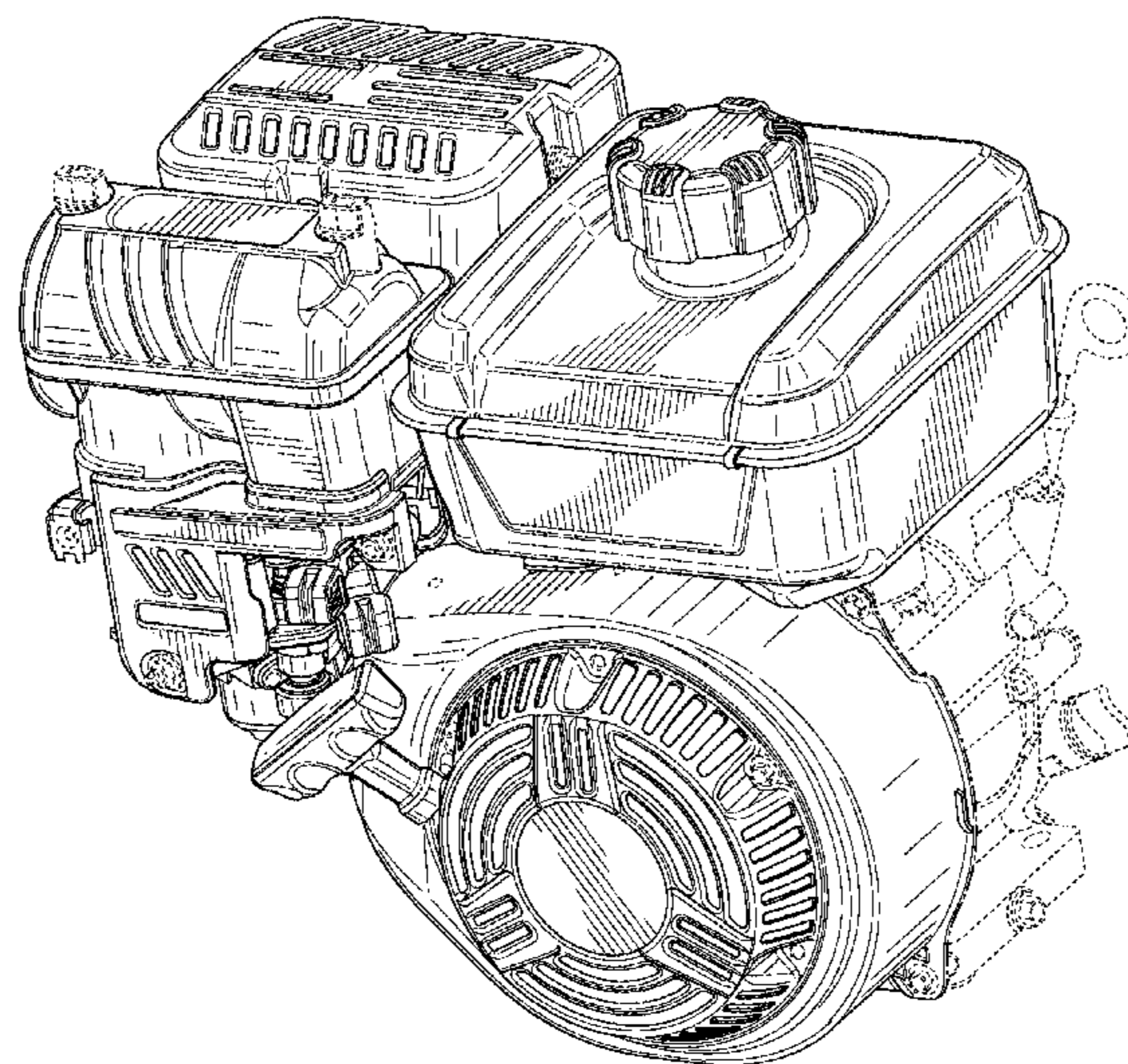
(57) **CLAIM**

I claim the ornamental design for an engine, as shown and described.

DESCRIPTION

FIG. 1 is a front-left perspective view from above of an engine showing my new design;
FIG. 2 is a rear-right perspective view from below of the claimed design of FIG. 1;
FIG. 3 is a front view of the claimed design of FIG. 1;
FIG. 4 is a rear view of the claimed design of FIG. 1;
FIG. 5 is a top view of the claimed design of FIG. 1;
FIG. 6 is a bottom view of the claimed design of FIG. 1;
FIG. 7 is a right side view of the claimed design of FIG. 1;
and,
FIG. 8 is a left side view of the claimed design of FIG. 1.
The broken lines in the drawings form no part of the claimed design.

1 Claim, 8 Drawing Sheets



(56)

References Cited

U.S. PATENT DOCUMENTS

2009/0230693 A1 9/2009 Yoshida et al.
2009/0230695 A1* 9/2009 Yoshida F02B 63/04
290/1 A
2009/0302610 A1* 12/2009 Kanai F02B 63/04
290/47
2010/0180864 A1 7/2010 Maekawa et al.
2012/0160194 A1* 6/2012 Yano F02F 1/34
123/41.65
2012/0210704 A1* 8/2012 Kawase F01N 1/089
60/320
2014/0338634 A1* 11/2014 Mitchell F02D 17/04
123/332
2016/0296869 A1 10/2016 Stark et al.
2017/0276100 A1 9/2017 Kaufmann et al.
2018/0008923 A1 1/2018 Burton et al.

* cited by examiner

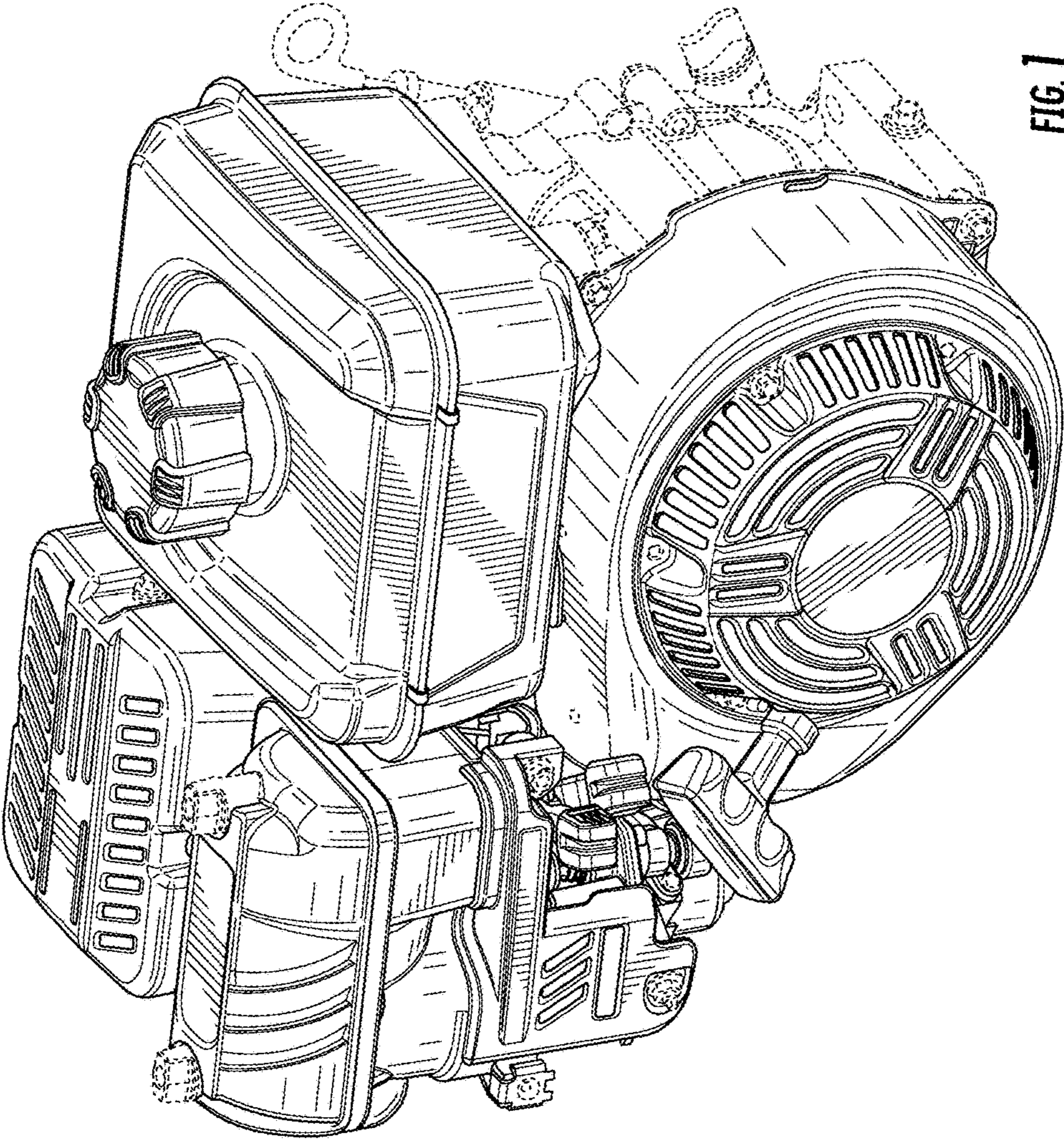


FIG. 1

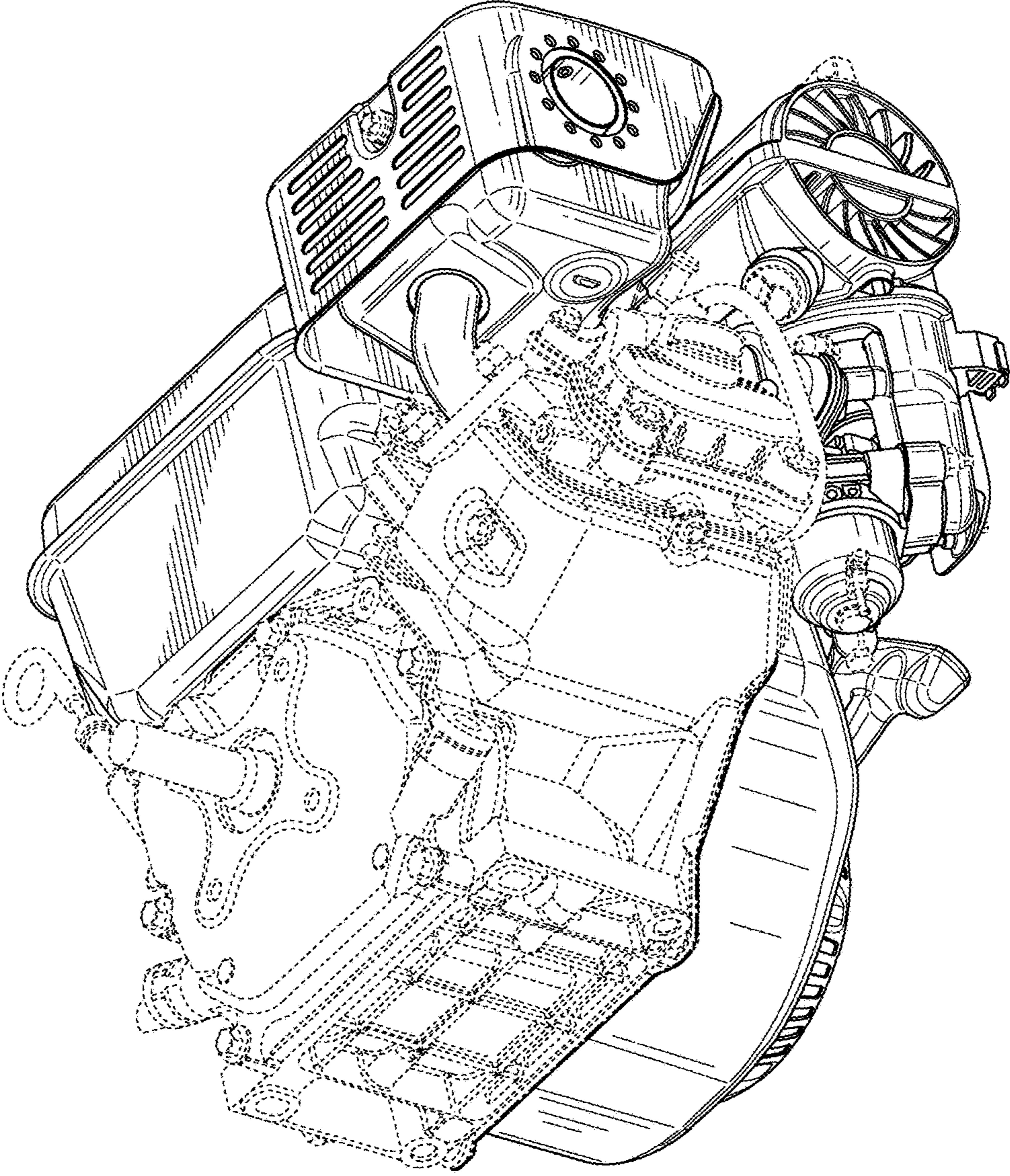


FIG. 2

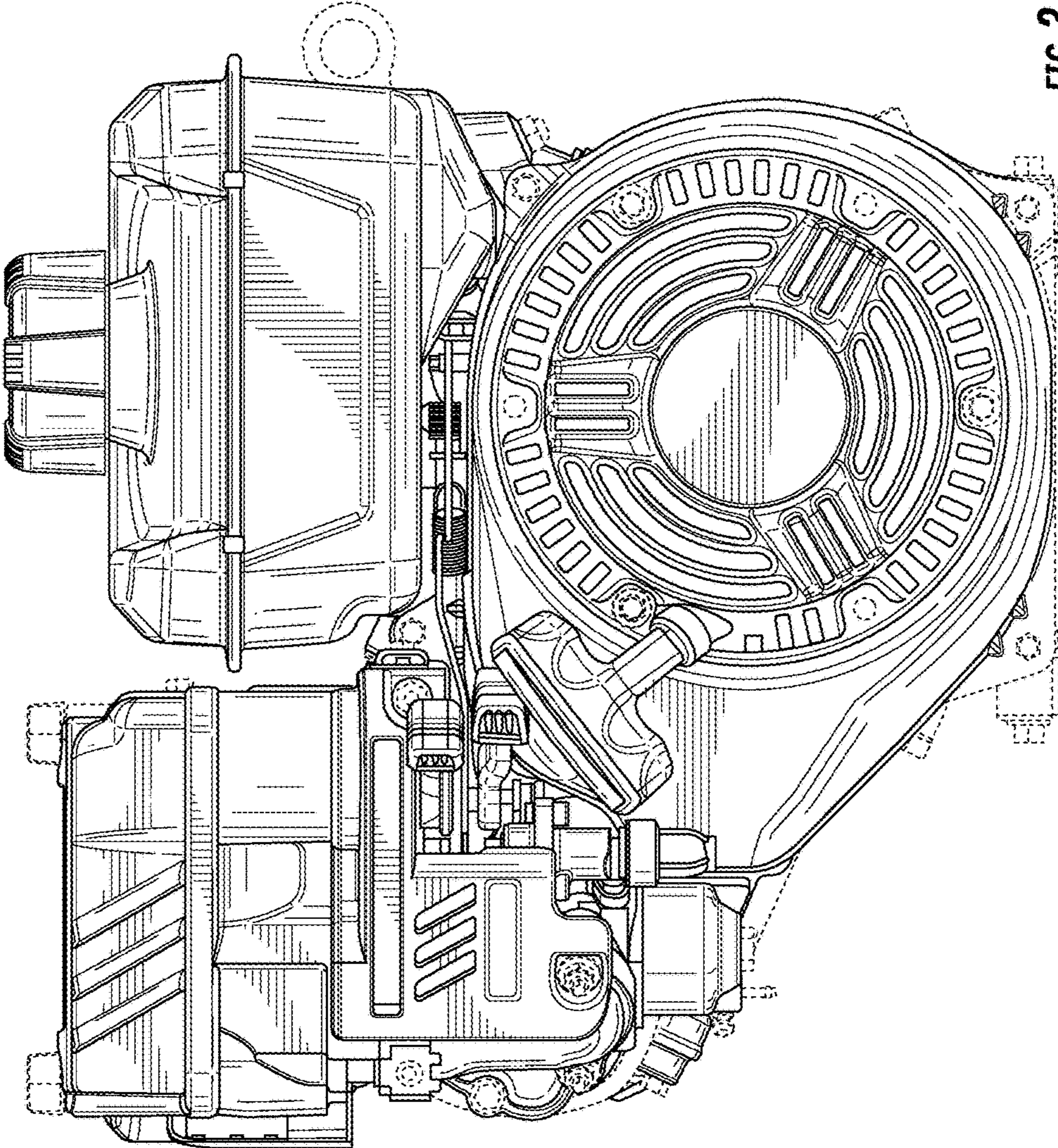


FIG. 3

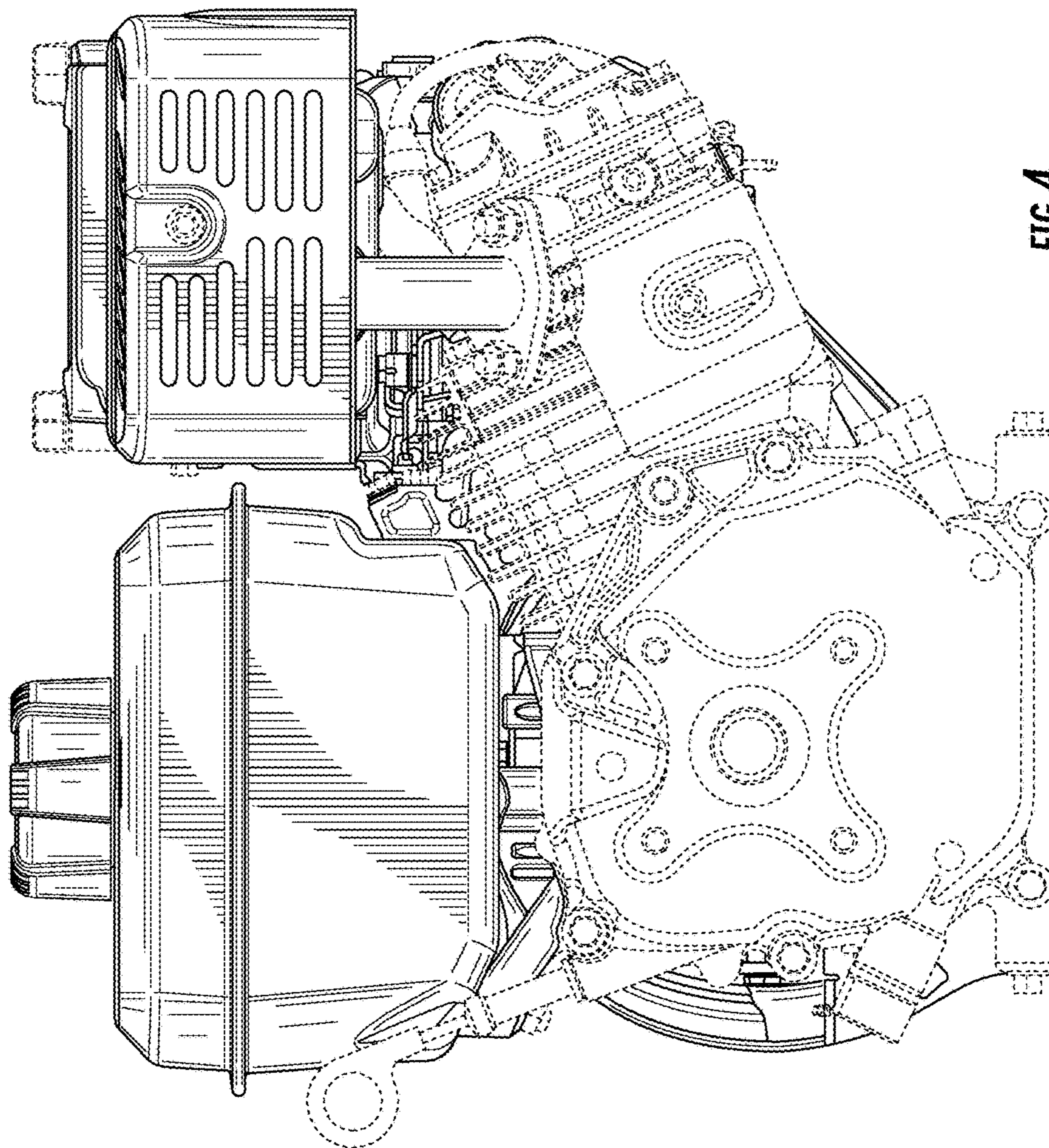


FIG. 4

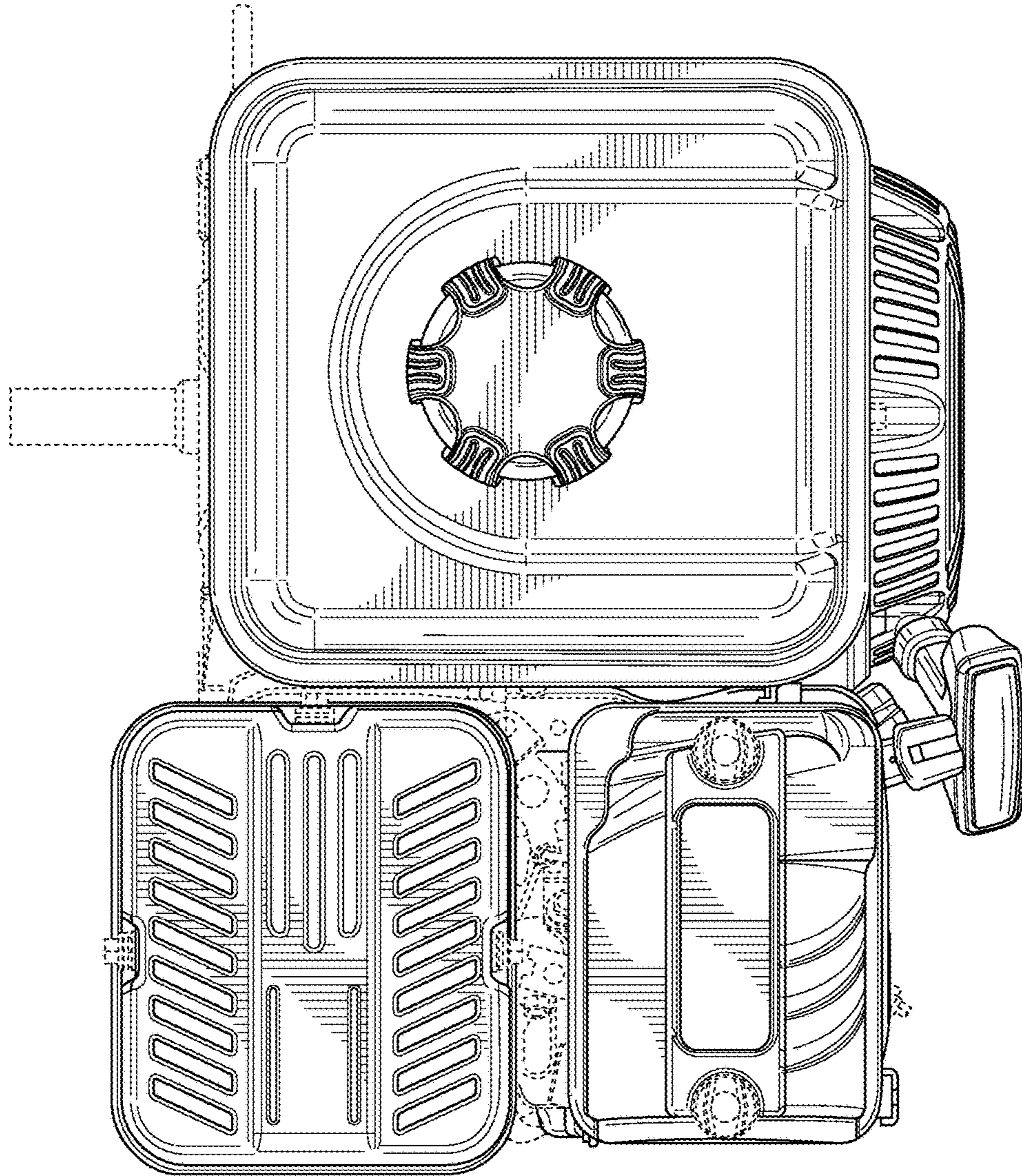


FIG. 5

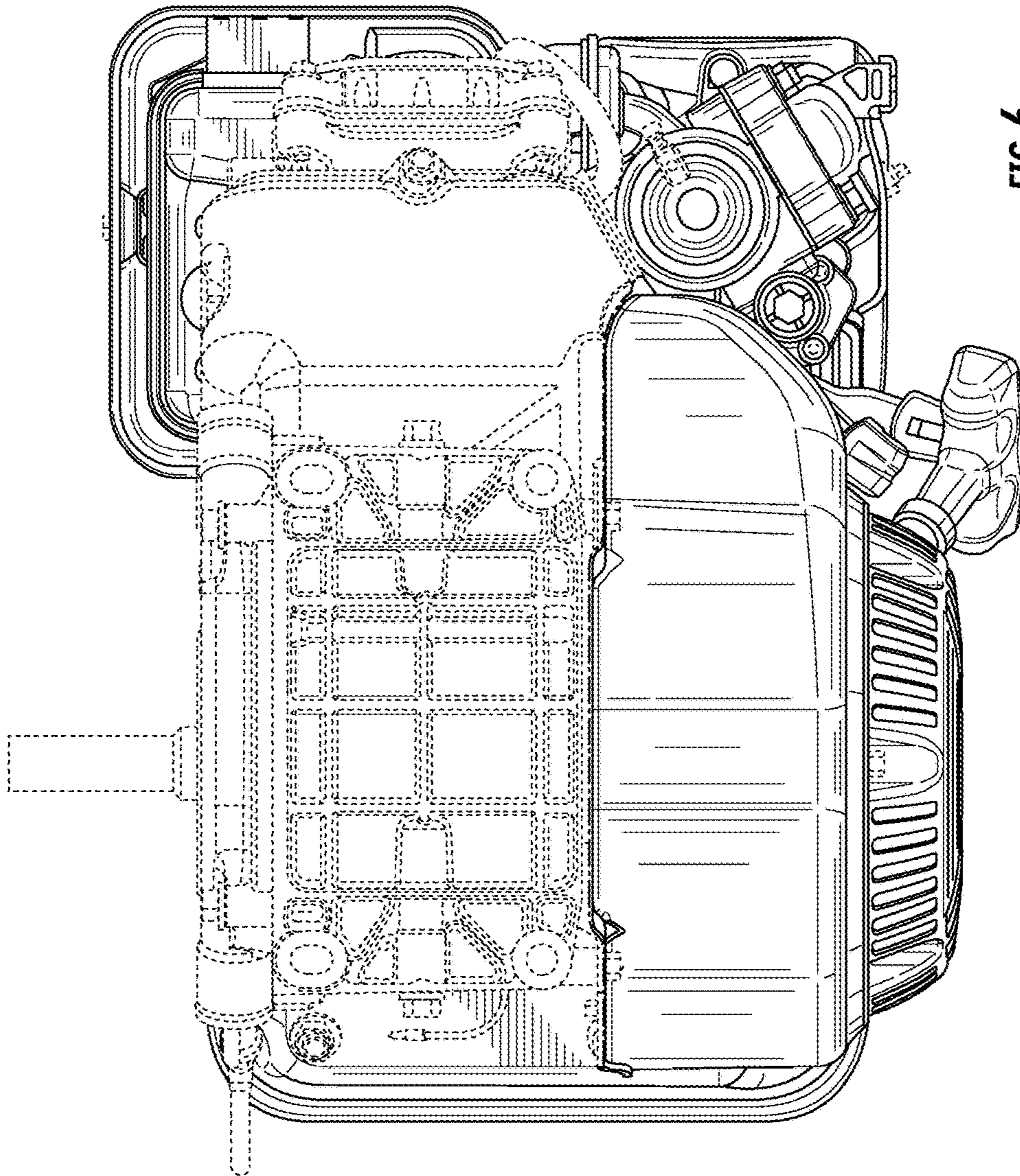


FIG. 6

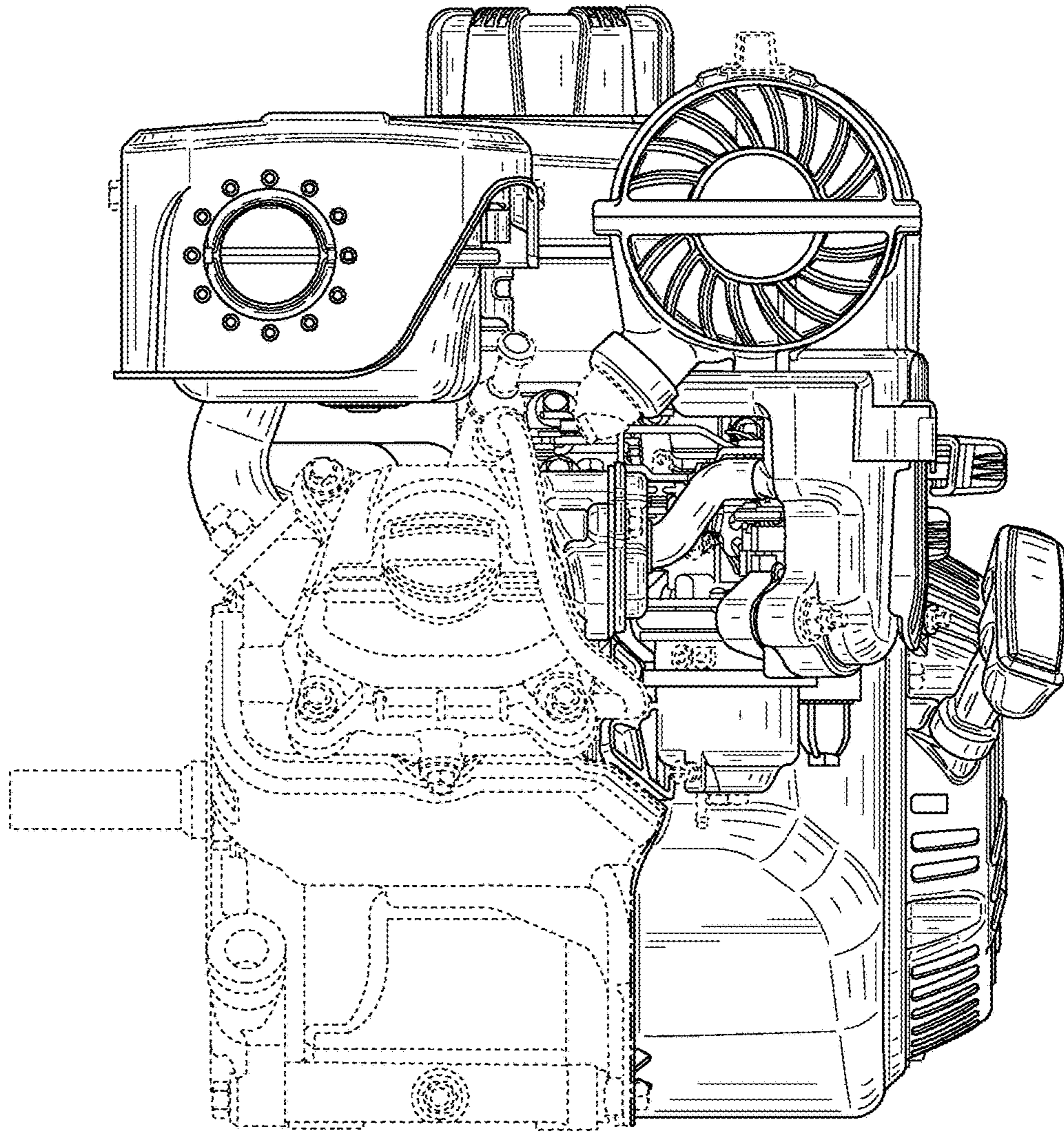


FIG. 7

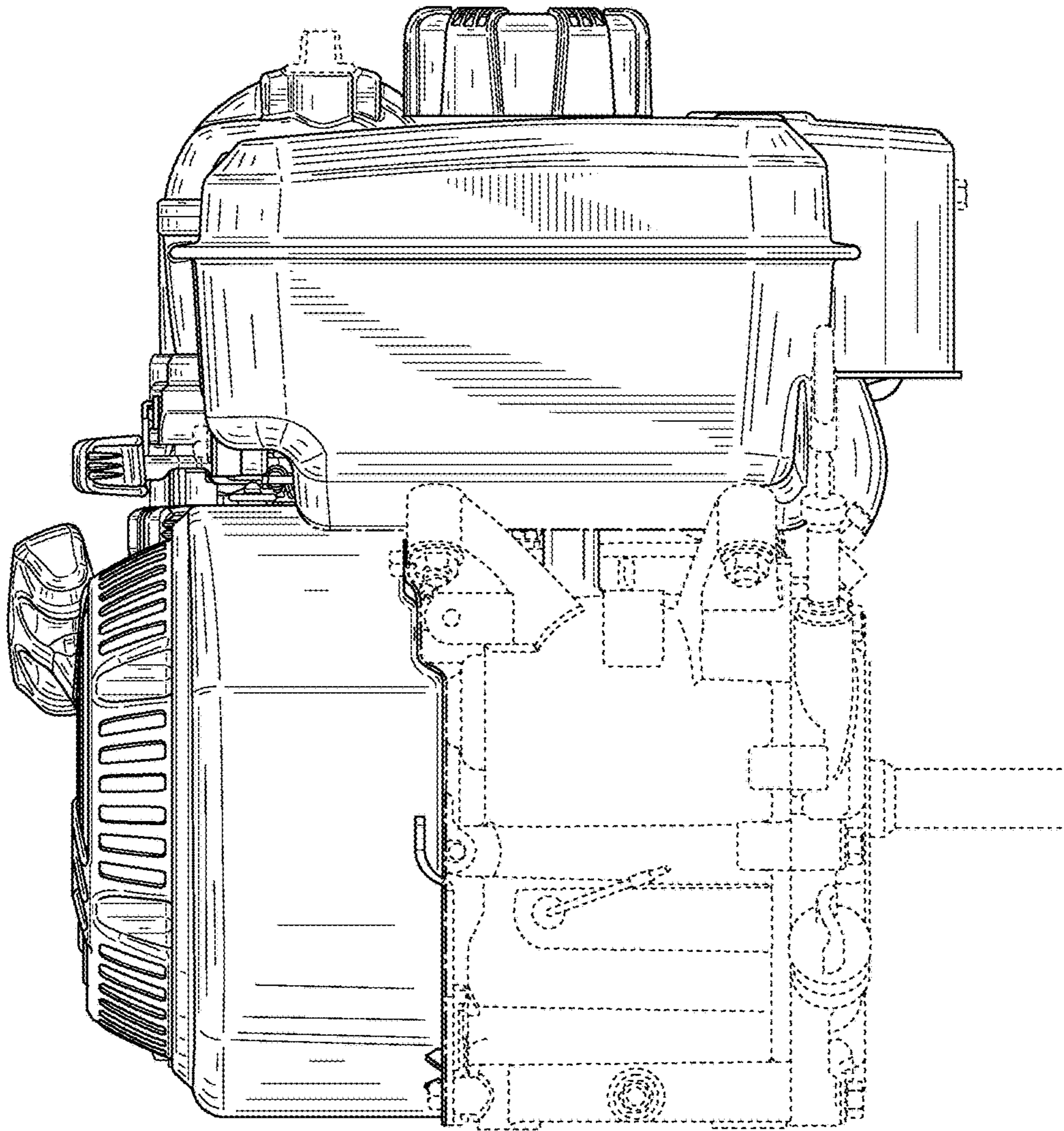


FIG. 8