

US00D836112S

(12) **United States Design Patent** (10) **Patent No.:** **US D836,112 S**  
**McDermott et al.** (45) **Date of Patent:** **\*\* Dec. 18, 2018**

(54) **OPTICAL SCANNER**

G06K 7/10633; G06K 7/10653; G06K 7/10891; G06K 7/14; G06K 7/1443; G06K 7/10801;

(71) Applicant: **Hand Held Products, Inc.**, Fort Mill, SC (US)

(Continued)

(72) Inventors: **Brad McDermott**, Hiawatha, IA (US); **Gregory Payne**, Charlotte, NC (US); **William Woodburn**, Muscatine, IA (US)

(56) **References Cited**

U.S. PATENT DOCUMENTS

D211,487 S \* 6/1968 Franciscus et al. .... D7/309  
D232,410 S \* 8/1974 Rakocy ..... D7/309

(Continued)

(73) Assignee: **Hand Held Products, Inc.**, Fort Mill, SC (US)

*Primary Examiner* — Susan Moon Lee

(\*\*) Term: **15 Years**

(74) *Attorney, Agent, or Firm* — Additon, Higgins & Pendleton, P.A.

(21) Appl. No.: **29/577,136**

(57) **CLAIM**

(22) Filed: **Sep. 9, 2016**

The ornamental design for an optical scanner, as shown in the accompanying drawings and described above.

(51) **LOC (11) Cl.** ..... **14-02**

**DESCRIPTION**

(52) **U.S. Cl.**

USPC ..... **D14/420**

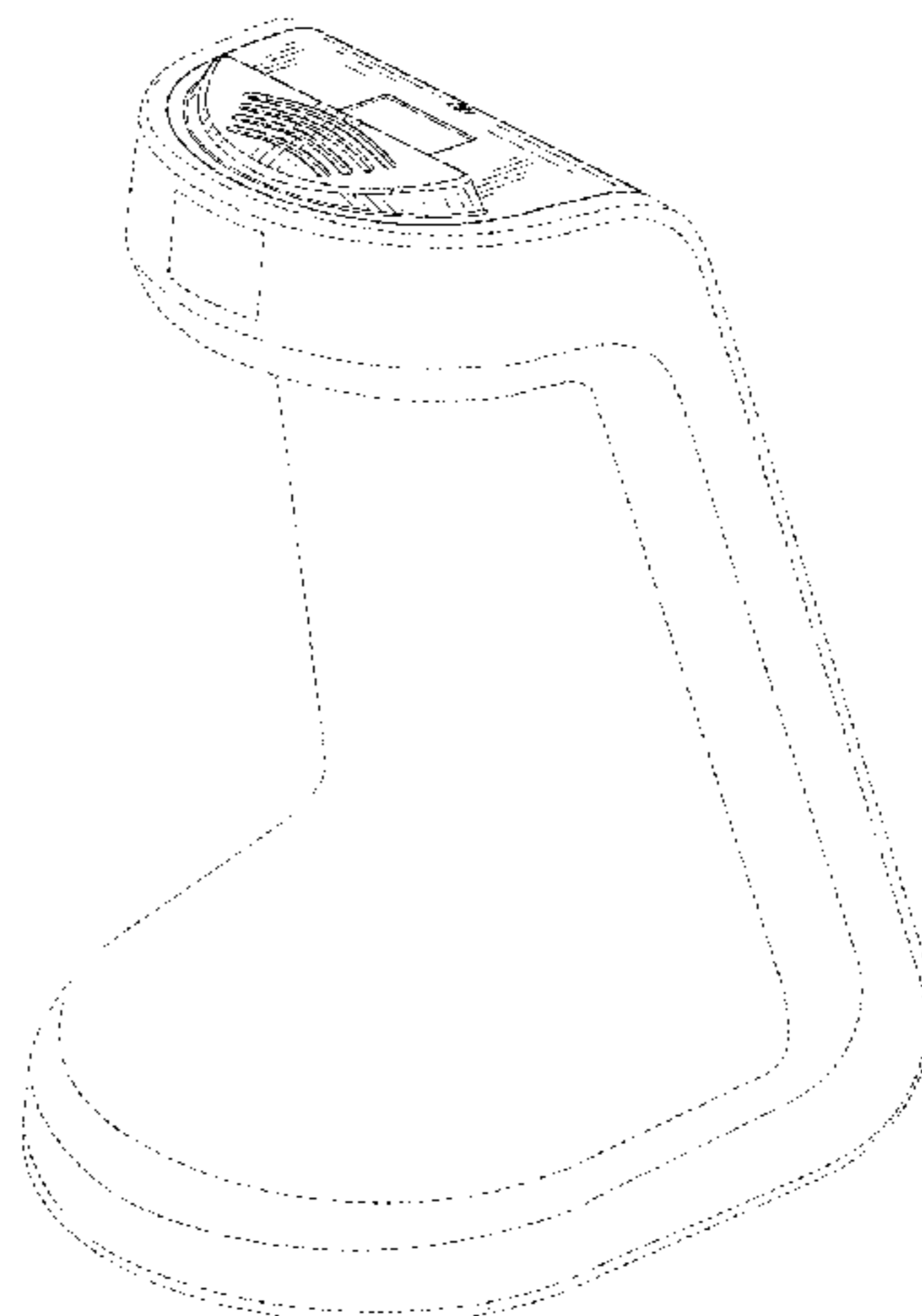
(58) **Field of Classification Search**

USPC ..... D14/420, 426–430, 453, 421–423, 385; 235/462.01, 462.11, 462.43, 462.45, 235/462.49, 472.01, 385, 454, 381; 382/313, 321, 318; 358/473; 250/215, 250/216; D26/37–50, 24; 362/157, 158, 362/171–174, 183–208; 396/427; 433/222.1, 223, 213–215, 73, 24, 29, 37, 433/202.1; 700/98, 97, 118, 161, 163, 700/182; 264/16, 17, 19, 219, 225; 374/1; 707/104.1; 249/54; 600/590; D20/1–9; 194/205, 206, 244, 321, 345, 194/346, 350; D18/3.3, 4.4, 12, 49; D99/28, 43; D13/174; D24/185; D7/300, 305–313, 316, 320, 605

CPC ..... G06K 7/10584; G06K 7/10613; G06K 7/10881; G06K 7/109; G06K 7/10693; G06K 7/10871; G06K 7/1096; G06K 7/10; G06K 7/10564; G06K 7/10594; G06K 7/10603; G06K 7/10663; G06K 7/10673; G06K 7/10702; G06K 7/10792;

The broken lines shown herein are for illustrative purposes and form no part of the claimed design.

**1 Claim, 9 Drawing Sheets**



(58) **Field of Classification Search**

CPC ..... G06K 7/10851; G06K 7/10861; G06K  
 2207/1011; G06K 2207/1012; G06K  
 2207/1013; G06K 2207/1016; G06K  
 2207/1017; G06K 2207/1018; G06K  
 2207/10534; G06K 17/0022; A47F 9/046;  
 A47F 9/047; G07G 1/0045; G04N  
 5/23238; G04N 5/2252; G04N 5/2251;  
 G03B 17/02; B25H 5/00; B66F 7/28;  
 G02B 26/10; G02B 26/106; G07F  
 11/002; G07F 11/02; G06Q 20/343; G06F  
 2203/0331

See application file for complete search history.

(56) **References Cited**

U.S. PATENT DOCUMENTS

D234,901 S \* 4/1975 Mantelet ..... D7/309  
 D254,285 S \* 2/1980 Lee ..... D7/309  
 D267,325 S \* 12/1982 Zimmerman ..... D7/309  
 D274,400 S \* 6/1984 Muller ..... D7/309  
 D277,539 S \* 2/1985 Elkerbout ..... D7/309  
 D291,766 S \* 9/1987 Steinkamp ..... D7/309  
 D296,857 S \* 7/1988 Stutzer ..... D7/309  
 D296,972 S \* 8/1988 Roccio ..... D7/309  
 D300,105 S \* 3/1989 Klein ..... D7/300  
 D317,546 S \* 6/1991 Rakocy ..... D7/309  
 D338,366 S \* 8/1993 Ueda ..... D7/312  
 D379,349 S \* 5/1997 Nichols ..... D13/167  
 D384,651 S \* 10/1997 Sandor ..... D14/423  
 D394,778 S \* 6/1998 Arns ..... D7/312  
 D431,410 S \* 10/2000 Huang ..... D7/313  
 D439,103 S \* 3/2001 Cruz ..... D7/309  
 D440,947 S \* 4/2001 Culberson ..... D13/171  
 D446,989 S \* 8/2001 Cruz ..... D7/309  
 D449,995 S \* 11/2001 Christianson ..... D10/18  
 D454,023 S \* 3/2002 Wang ..... D7/309  
 D463,192 S \* 9/2002 Uneo ..... D7/300  
 D463,381 S \* 9/2002 Westermann ..... D13/167  
 D477,082 S \* 7/2003 Bromley ..... D24/170  
 D484,355 S \* 12/2003 De Gooijer ..... D7/312  
 D487,376 S \* 3/2004 Uneo ..... D7/300

D489,936 S \* 5/2004 Smith ..... D7/379  
 D497,103 S \* 10/2004 Malloy ..... D3/203.2  
 D501,623 S \* 2/2005 Lin ..... D7/309  
 D502,841 S \* 3/2005 Santer ..... D7/309  
 D522,794 S \* 6/2006 Imai ..... D7/306  
 D533,555 S \* 12/2006 Odhe ..... D14/420  
 D541,097 S \* 4/2007 Leverrier ..... D7/300  
 D541,572 S \* 5/2007 Watanabe ..... D7/306  
 D550,499 S \* 9/2007 Argabrite ..... D7/309  
 D553,417 S \* 10/2007 Schreitmuller ..... D7/306  
 D555,970 S \* 11/2007 Schreitmuller ..... D7/312  
 D559,800 S \* 1/2008 Neveu ..... D13/174  
 D577,252 S \* 9/2008 Kotoku ..... D7/309  
 D599,606 S \* 9/2009 Wakita ..... D7/306  
 D600,493 S \* 9/2009 Pino ..... D7/306  
 D633,291 S \* 3/2011 Portney ..... D3/203.2  
 D649,826 S \* 12/2011 Garman ..... D7/306  
 D691,099 S \* 10/2013 Li ..... D13/174  
 D700,150 S \* 2/2014 Li ..... D13/174  
 D700,607 S \* 3/2014 Cederstrom ..... D14/420  
 D702,237 S \* 4/2014 Oberpriller ..... D14/420  
 D705,743 S \* 5/2014 Porter ..... D13/174  
 D705,744 S \* 5/2014 Porter ..... D13/177  
 D707,640 S \* 6/2014 Li ..... D13/174  
 D713,667 S \* 9/2014 Marsland ..... D7/306  
 D714,233 S \* 9/2014 Dorn ..... D13/174  
 D720,305 S \* 12/2014 Wenji ..... D13/174  
 D733,078 S \* 6/2015 Wu ..... D13/171  
 D737,227 S \* 8/2015 Hamlin ..... D13/174  
 D737,452 S \* 8/2015 Park ..... D24/185  
 D739,677 S \* 9/2015 Du ..... D7/309  
 9,183,426 B2 \* 11/2015 Gannon ..... G06K 7/10881  
 D748,590 S \* 2/2016 Dorn ..... D13/174  
 D755,556 S \* 5/2016 Bandixen ..... D7/306  
 D757,478 S \* 5/2016 Bandixen ..... D7/306  
 D771,993 S \* 11/2016 Cai ..... D7/309  
 D777,498 S \* 1/2017 Bandixen ..... D7/306  
 9,542,017 B2 \* 1/2017 Sakai ..... B29C 45/16  
 9,646,781 B1 \* 5/2017 Gluchman, Jr. .... H01H 13/14  
 D807,836 S \* 1/2018 Johnson ..... D13/174  
 2011/0108403 A1 \* 5/2011 Kukita ..... H01H 13/14  
 200/341  
 2013/0262730 A1 \* 10/2013 Al-Ali ..... G16H 10/60  
 710/303

\* cited by examiner

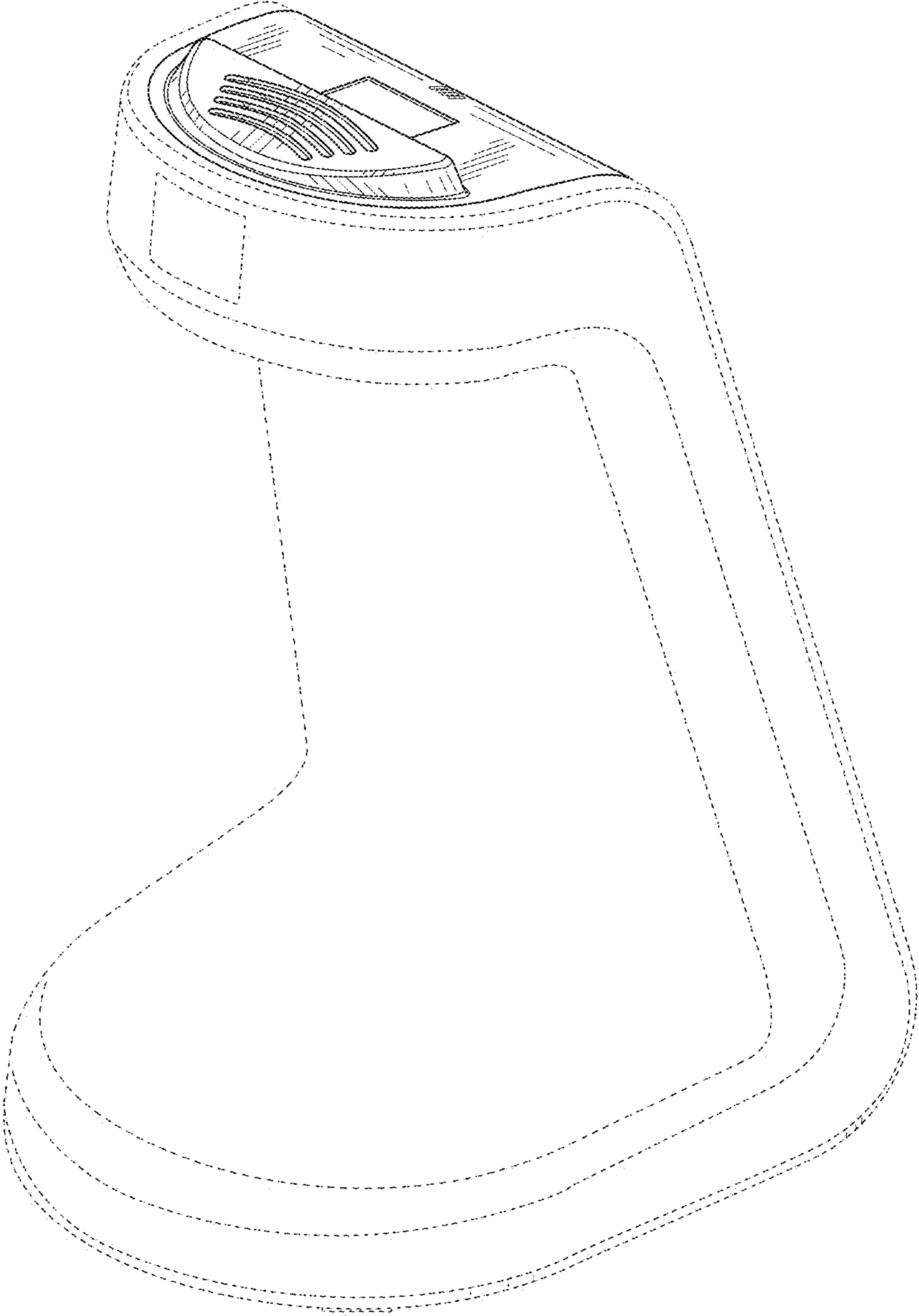


FIG. 1



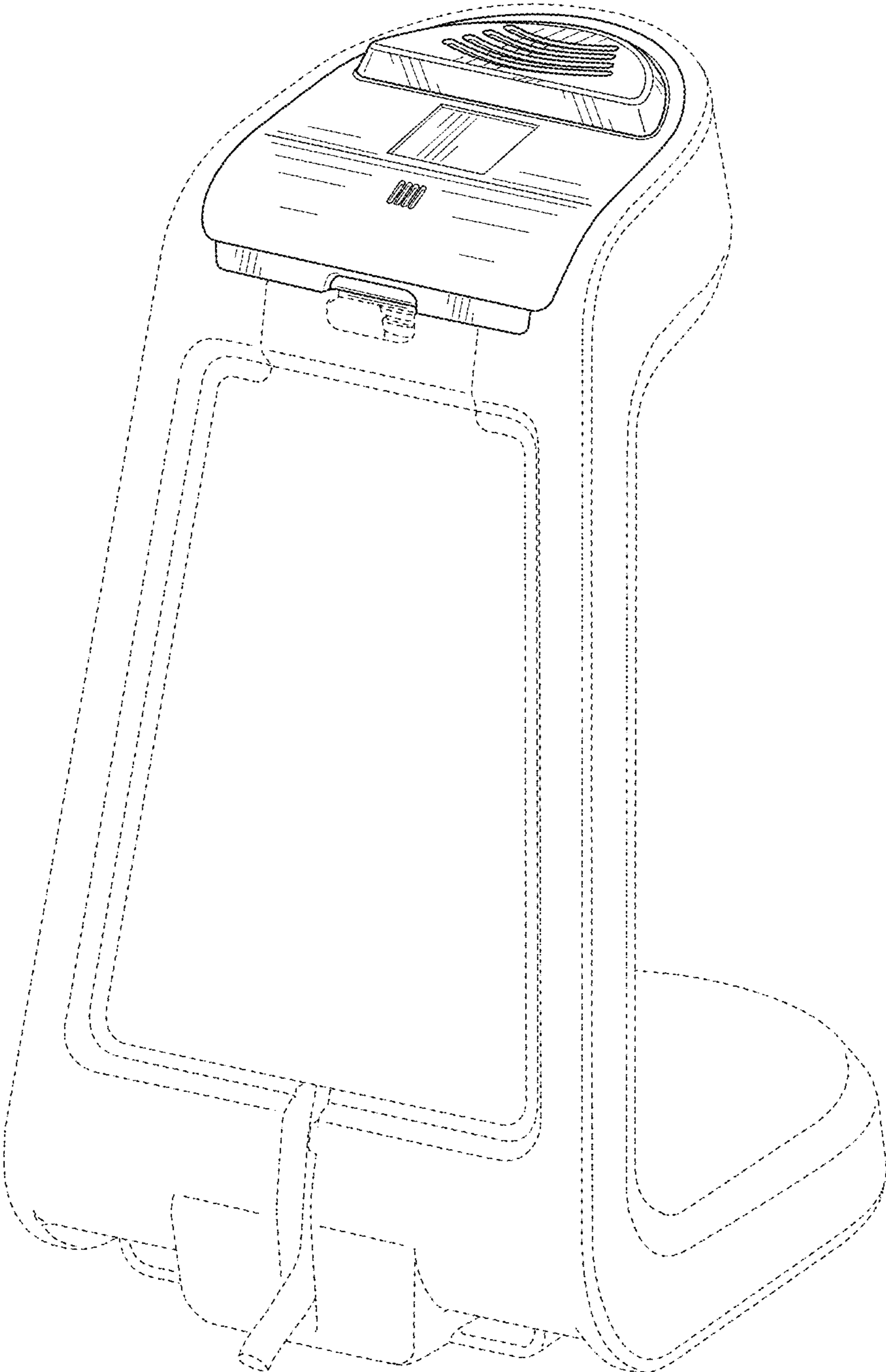


FIG. 2

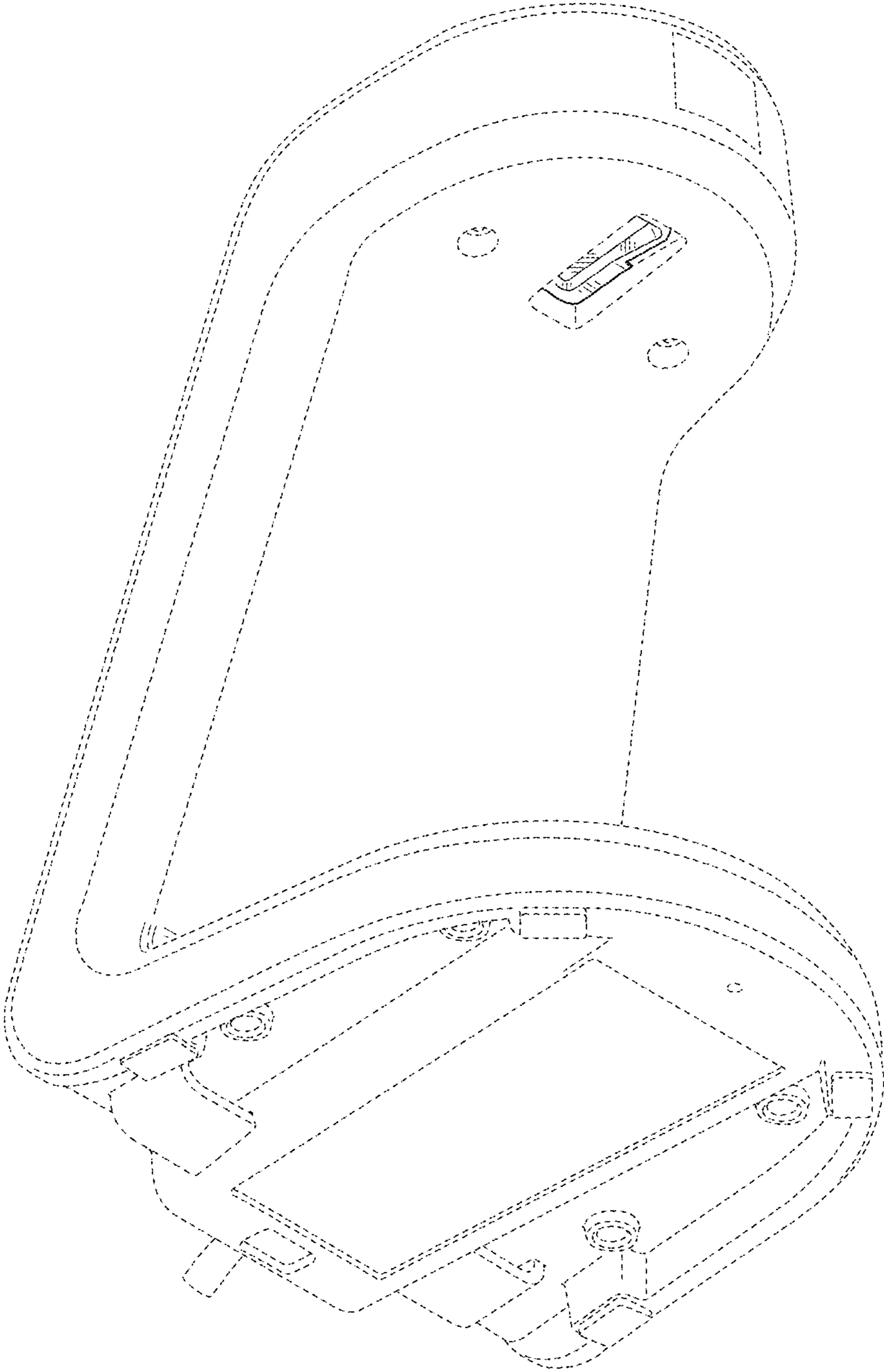


FIG. 3

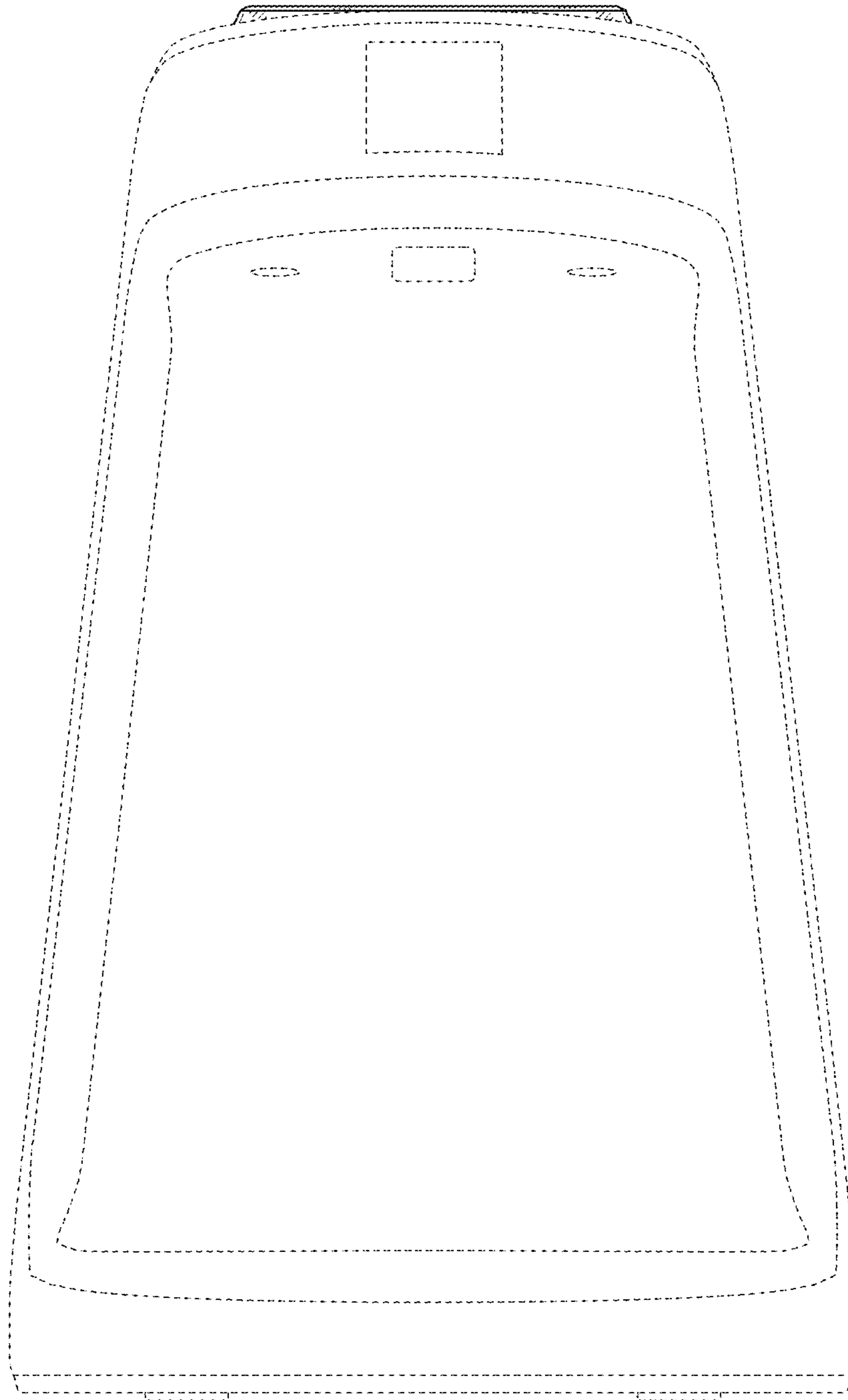


FIG. 4

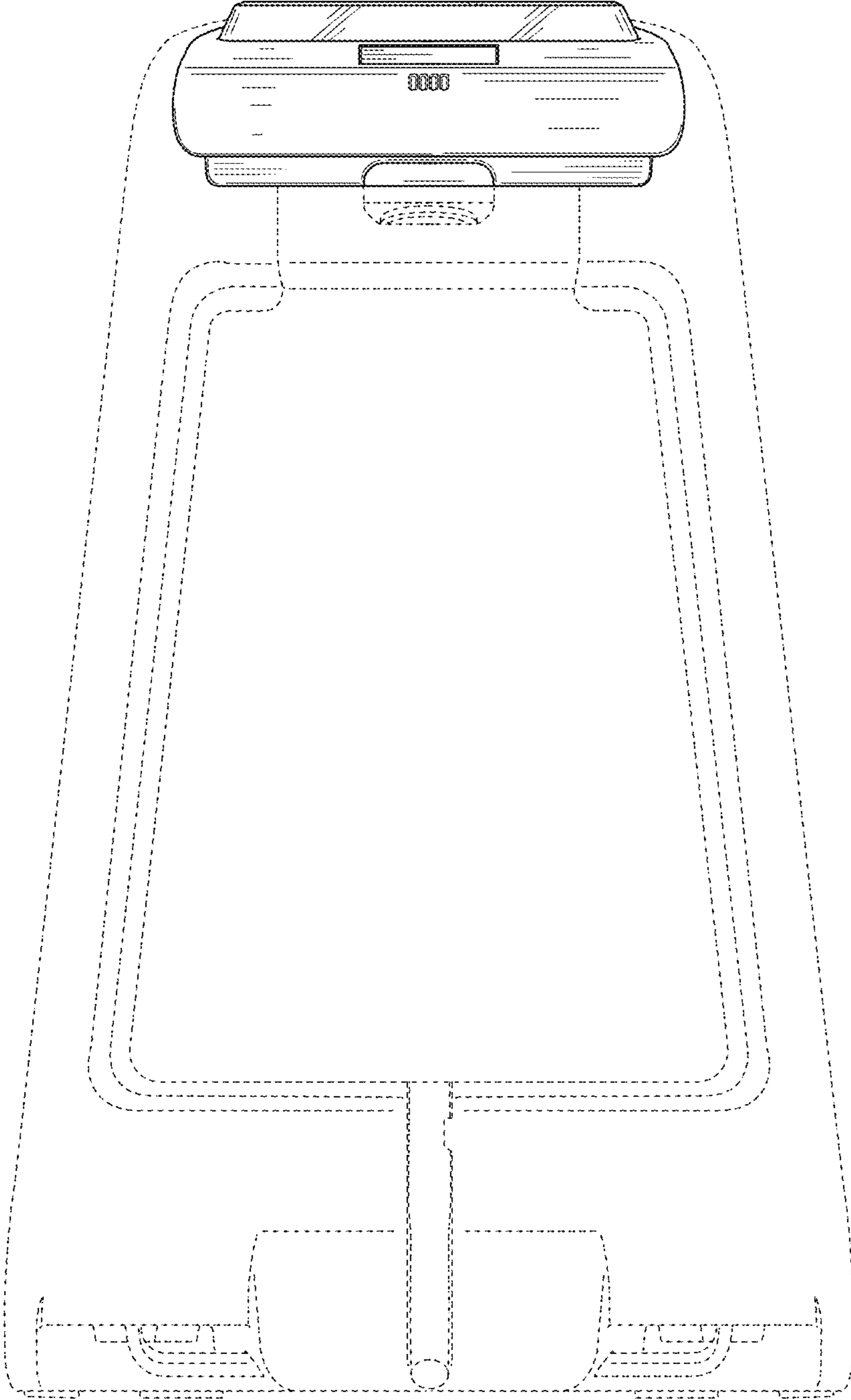


FIG. 5

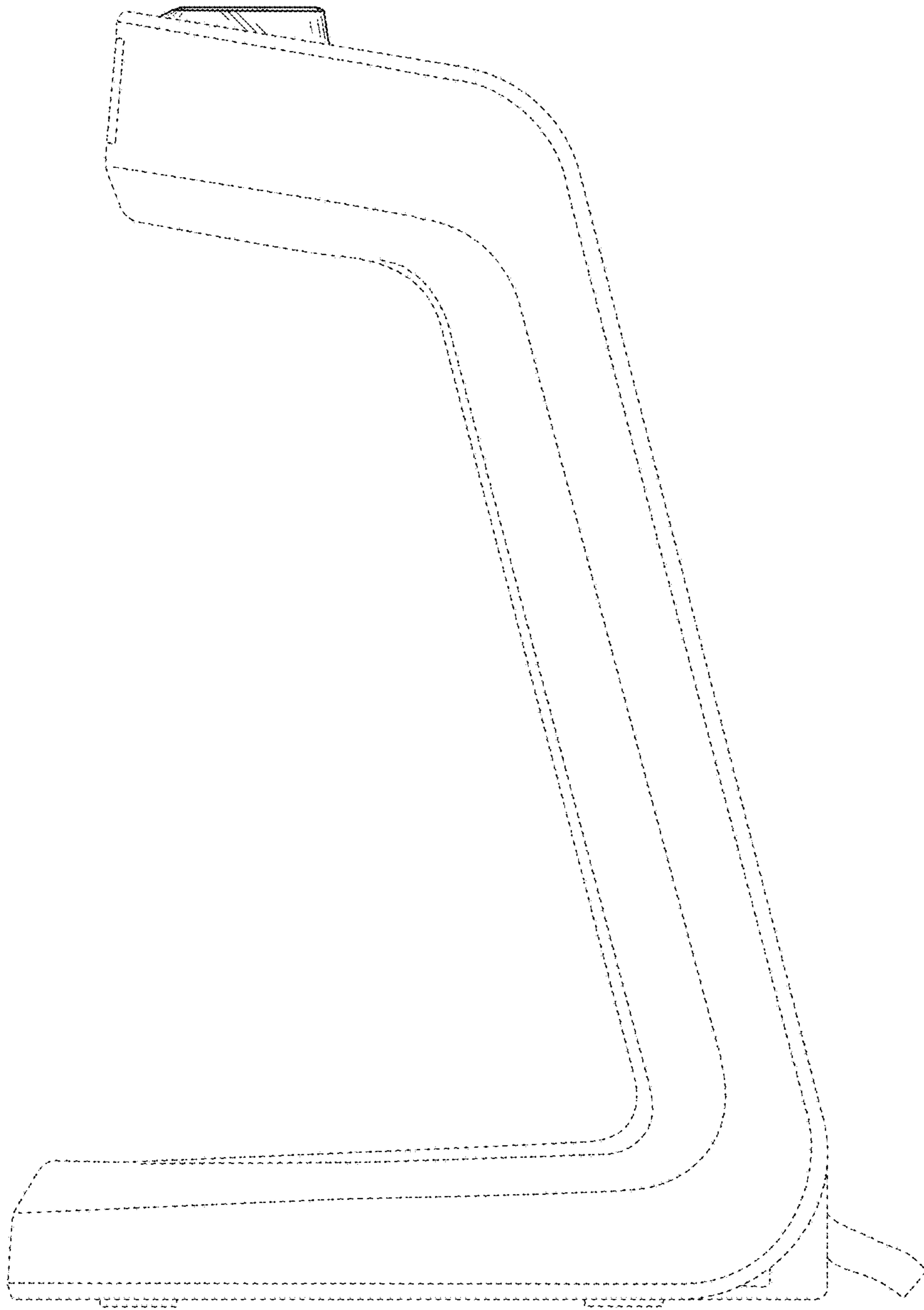
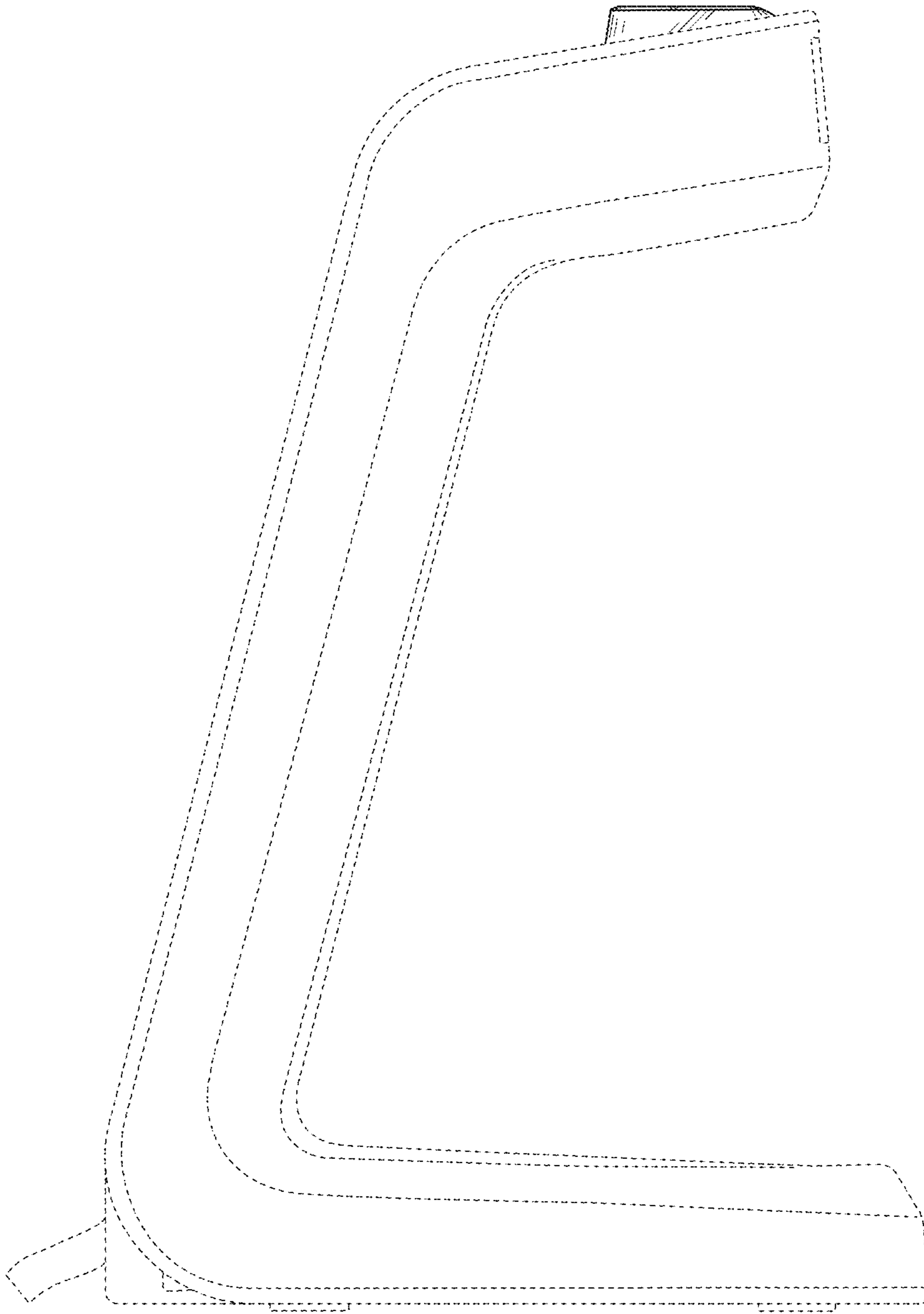


FIG. 6





**FIG. 7**

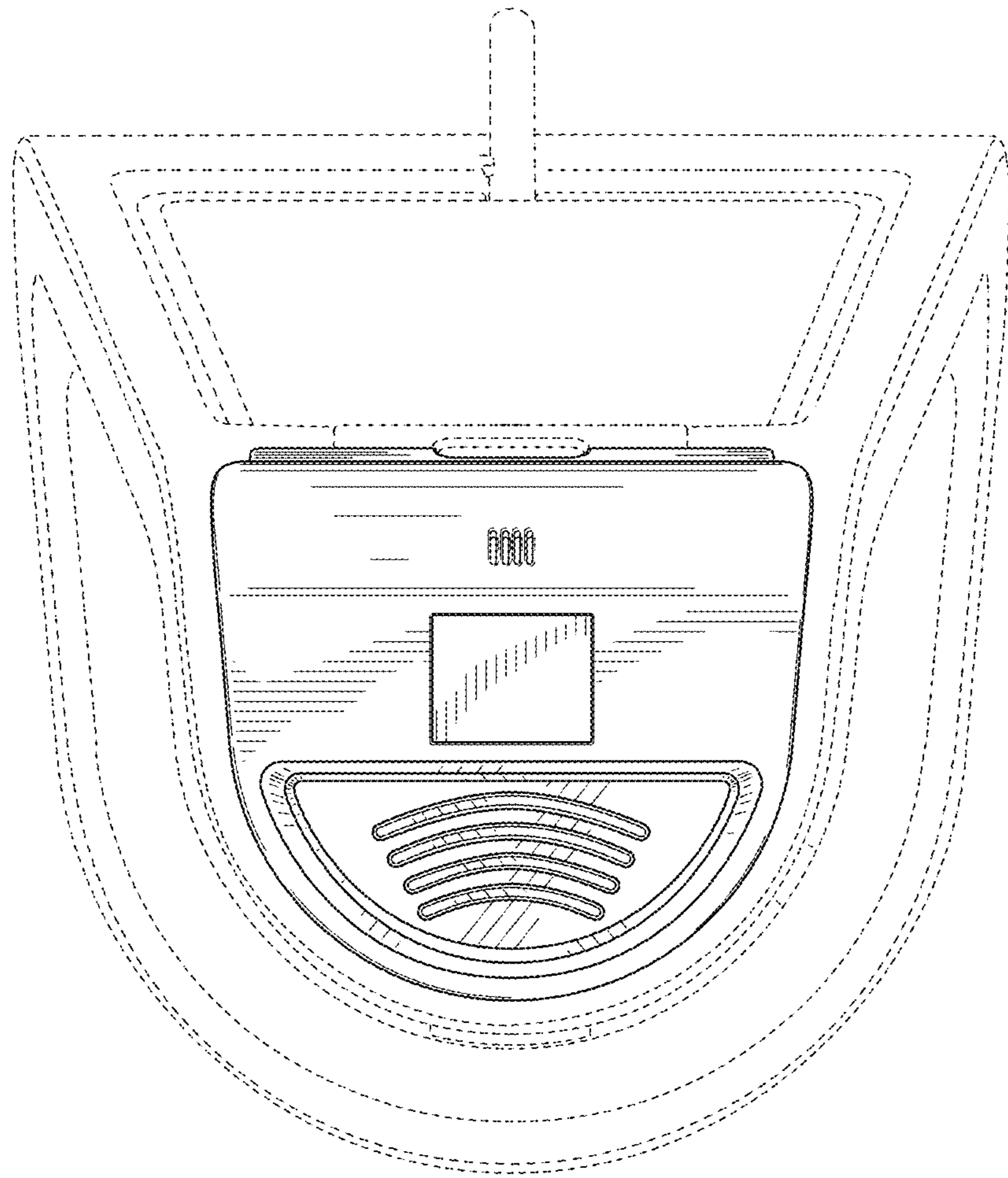
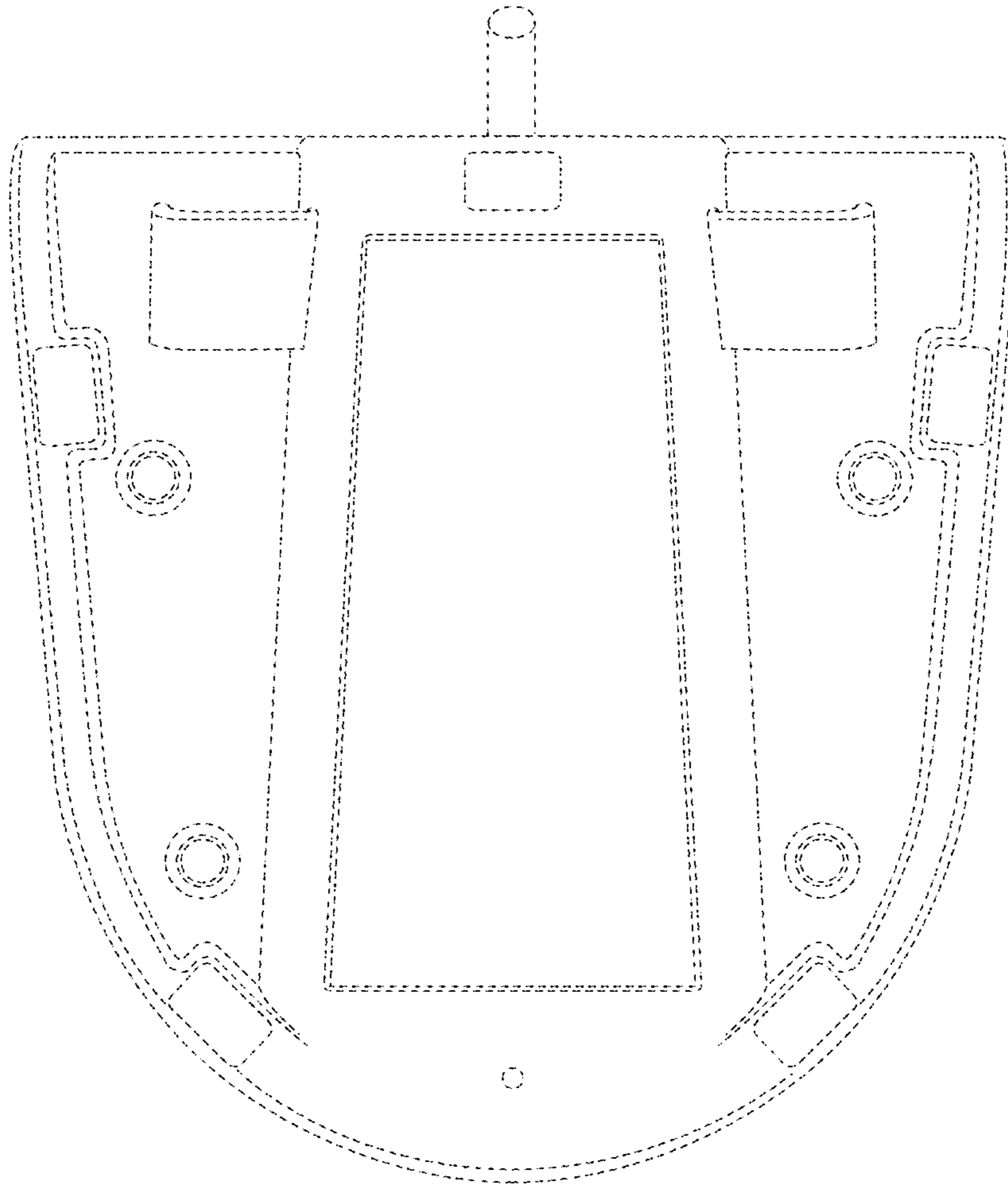


FIG. 8



**FIG. 9**