



US00D836108S

(12) **United States Design Patent** (10) **Patent No.:** **US D836,108 S**  
**Natsume et al.** (45) **Date of Patent:** **\*\* Dec. 18, 2018**

(54) **HEAD MOUNTED AUDIO-VISUAL DISPLAY SYSTEM**

- (71) Applicant: **MAGIC LEAP, INC.**, Plantation, FL (US)
- (72) Inventors: **Shigeru Natsume**, Weston, FL (US); **Bradley Fraser**, Miami Beach, FL (US); **Haney Awad**, Fort Lauderdale, FL (US); **Sebastian Gonzalo Arrieta Gunther**, Fort Lauderdale, FL (US); **Masamune Kaji**, Plantation, FL (US); **William Wheeler**, Fort Lauderdale, FL (US)
- (73) Assignee: **Magic Leap, Inc.**, Plantation, FL (US)
- (\*\*) Term: **15 Years**
- (21) Appl. No.: **29/653,573**
- (22) Filed: **Jun. 15, 2018**

**Related U.S. Application Data**

- (63) Continuation of application No. 29/584,739, filed on Nov. 16, 2016.
- (51) **LOC (11) Cl.** ..... **14-02**
- (52) **U.S. Cl.**  
USPC ..... **D14/372**
- (58) **Field of Classification Search**  
USPC ..... D14/372, 496, 432, 371, 125, 126, 129, D14/299; D16/300-342; 351/158, 153, 351/144; 345/7-9, 905; 455/344; 348/115, 53, 121, 739  
CPC ..... G02B 27/017; G02B 27/0158; G02B 27/0161; G02B 27/0181; G02B 27/0185; G02B 27/0189  
See application file for complete search history.

(56) **References Cited**

U.S. PATENT DOCUMENTS

D776,111	S	*	1/2017	Baldassi	.....	D14/372
D780,752	S	*	3/2017	Park	.....	D14/372
D781,290	S	*	3/2017	Kim	.....	D14/372
D796,504	S	*	9/2017	Natsume	.....	D14/372
D796,506	S	*	9/2017	Natsume	.....	D14/372
D797,735	S	*	9/2017	Fraser	.....	D14/372
D798,862	S	*	10/2017	Wang	.....	D14/372
D799,482	S	*	10/2017	Thomas	.....	D14/372
D800,727	S	*	10/2017	Mullins	.....	D14/372
D805,072	S	*	12/2017	Seki	.....	D14/372
D805,073	S	*	12/2017	Yee	.....	D14/372
D806,710	S	*	1/2018	Chen	.....	D14/372
D807,882	S	*	1/2018	Gribetz	.....	D14/372
D810,743	S	*	2/2018	Yee	.....	D14/372
D812,612	S	*	3/2018	Gribetz	.....	D14/372
D815,092	S	*	4/2018	Liao	.....	D14/372

(Continued)

*Primary Examiner* — Austin Murphy

(74) *Attorney, Agent, or Firm* — Vista IP Law Group LLP

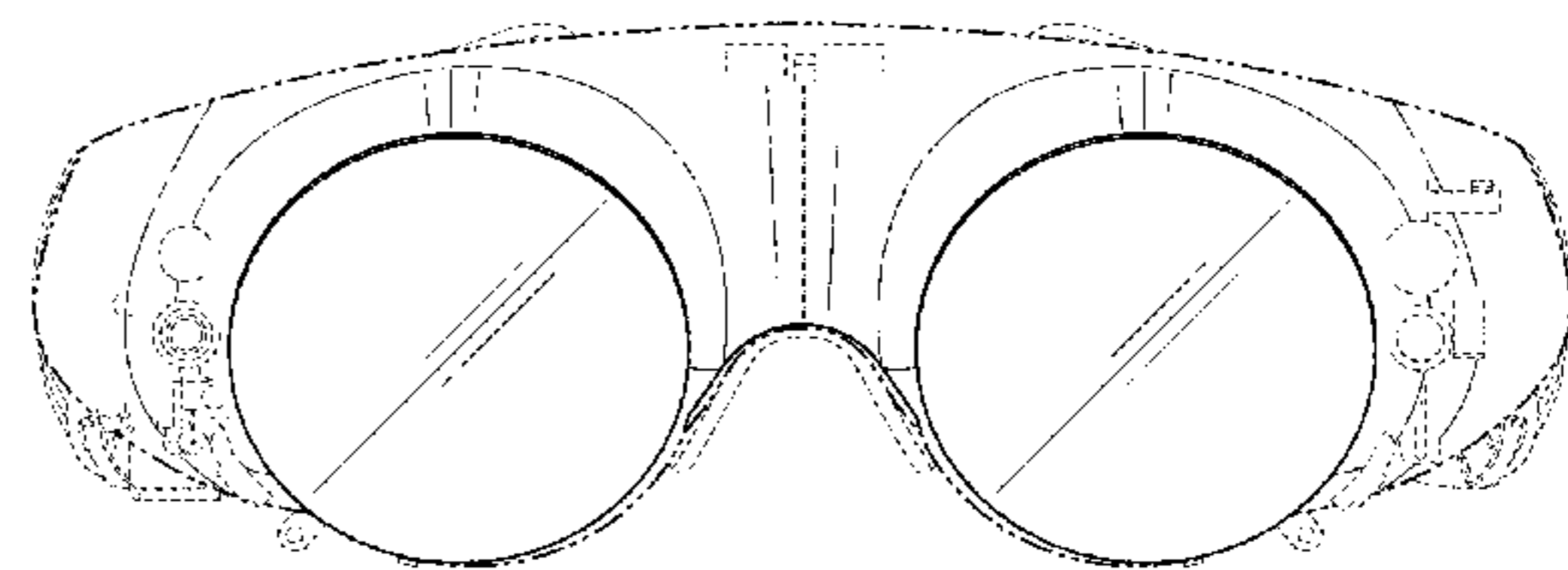
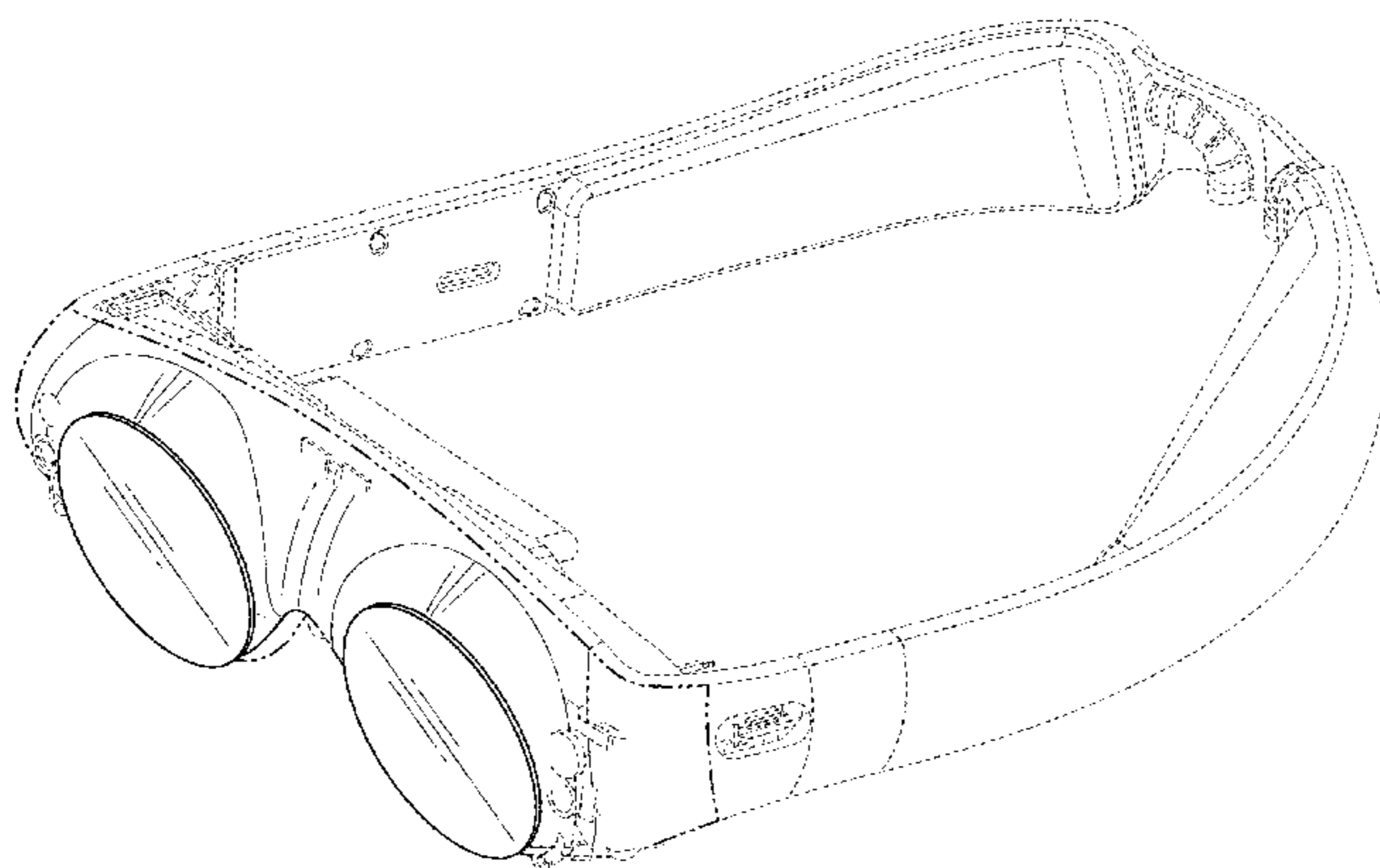
(57) **CLAIM**

We claim the ornamental design for a head mounted audio-visual display system, as shown and described.

**DESCRIPTION**

FIG. 1 is a front perspective view of a head mounted audio-visual display system showing our design;  
 FIG. 2 is a rear perspective view thereof;  
 FIG. 3 is a front view thereof;  
 FIG. 4 is a rear view thereof;  
 FIG. 5 is a left view thereof;  
 FIG. 6 is a right view thereof;  
 FIG. 7 is a top view thereof; and,  
 FIG. 8 is a bottom view thereof.  
 The broken lines depicting various portions of the head mounted audio-visual display system are included for the purpose of illustrating environmental structure and form no part of the claimed design.

**1 Claim, 8 Drawing Sheets**



(56)

**References Cited**

U.S. PATENT DOCUMENTS

D819,636 S \* 6/2018 Chen ..... D14/372  
D819,637 S \* 6/2018 Chen ..... D14/372

\* cited by examiner

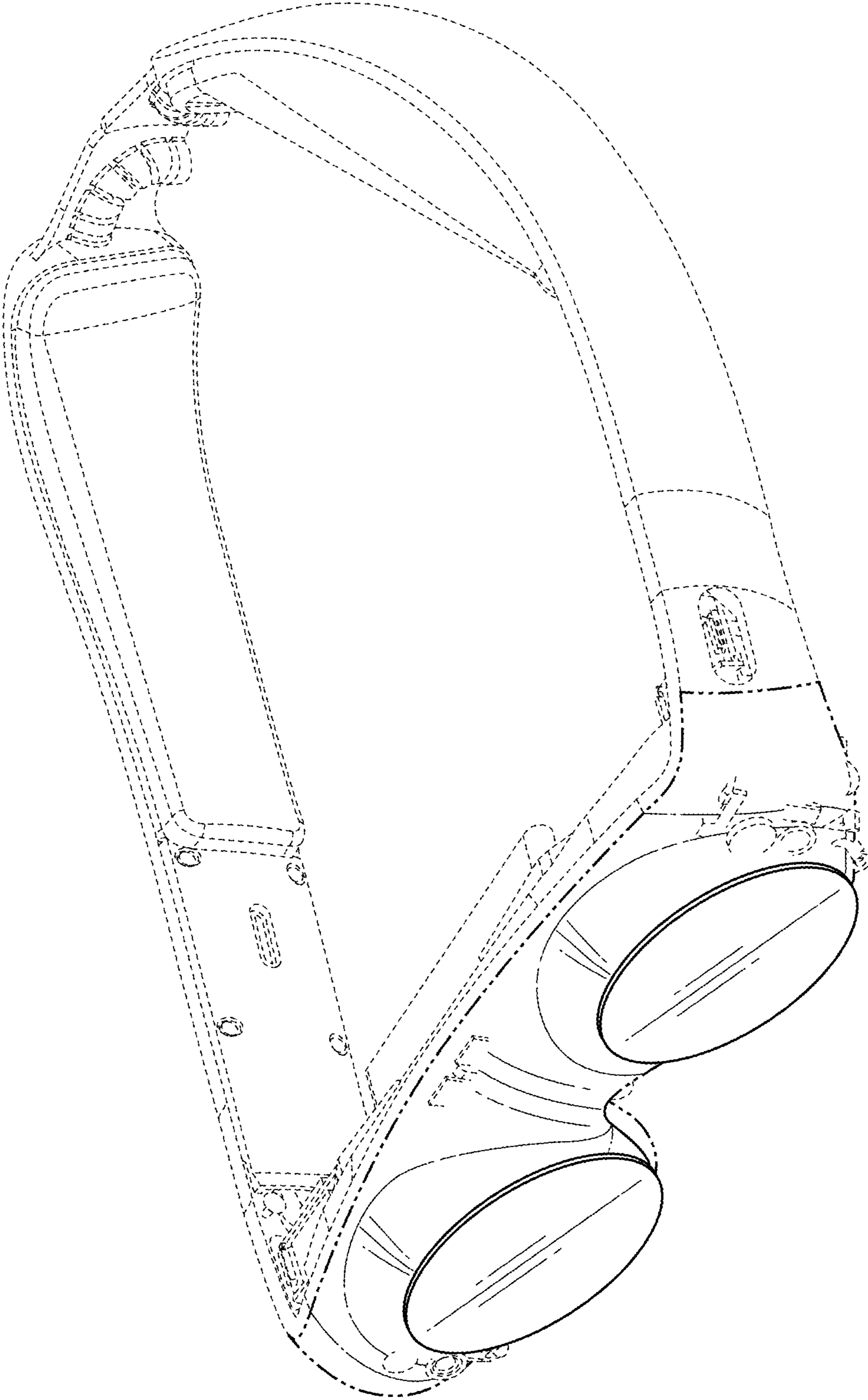


FIG. 1

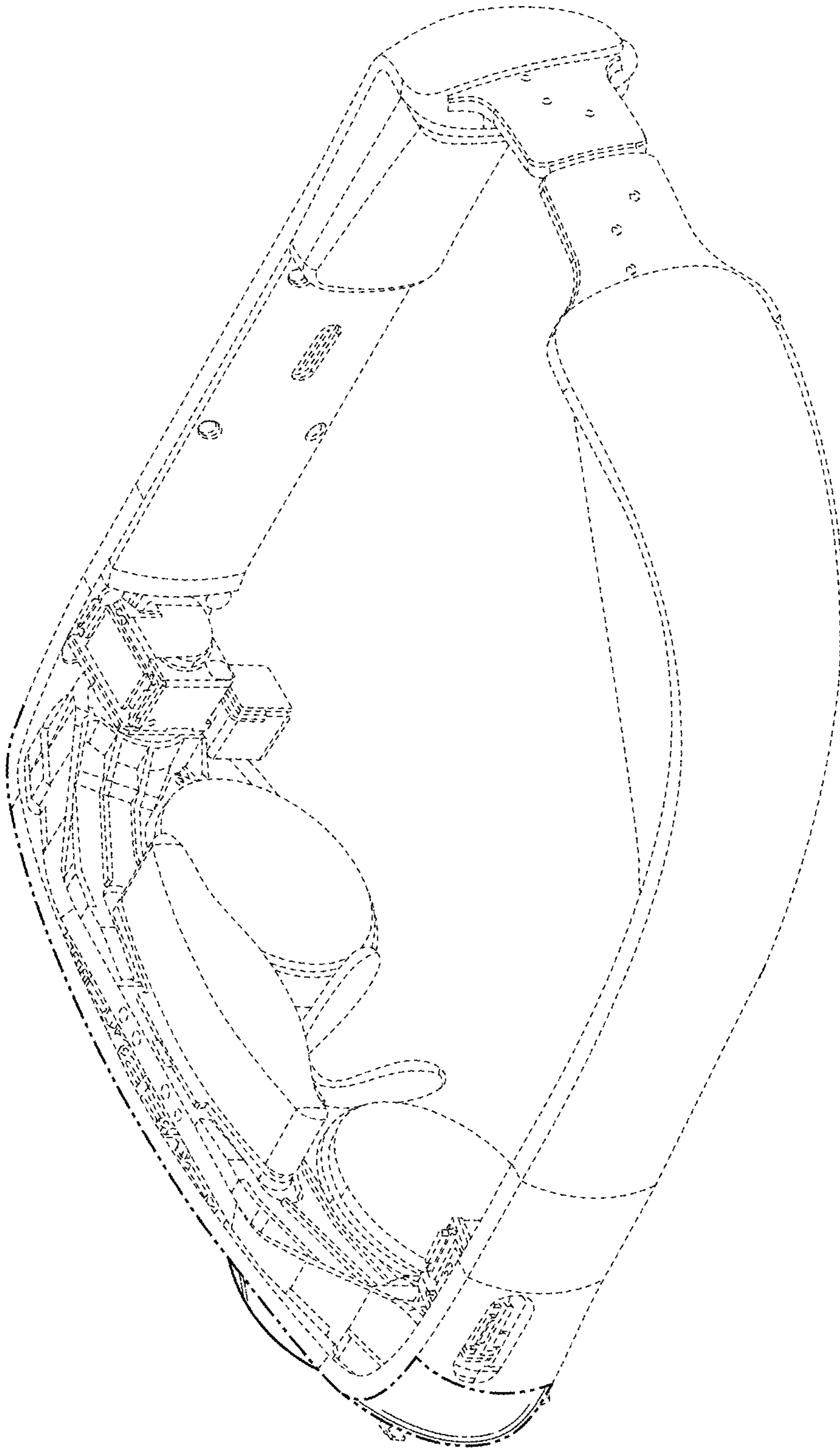


FIG. 2

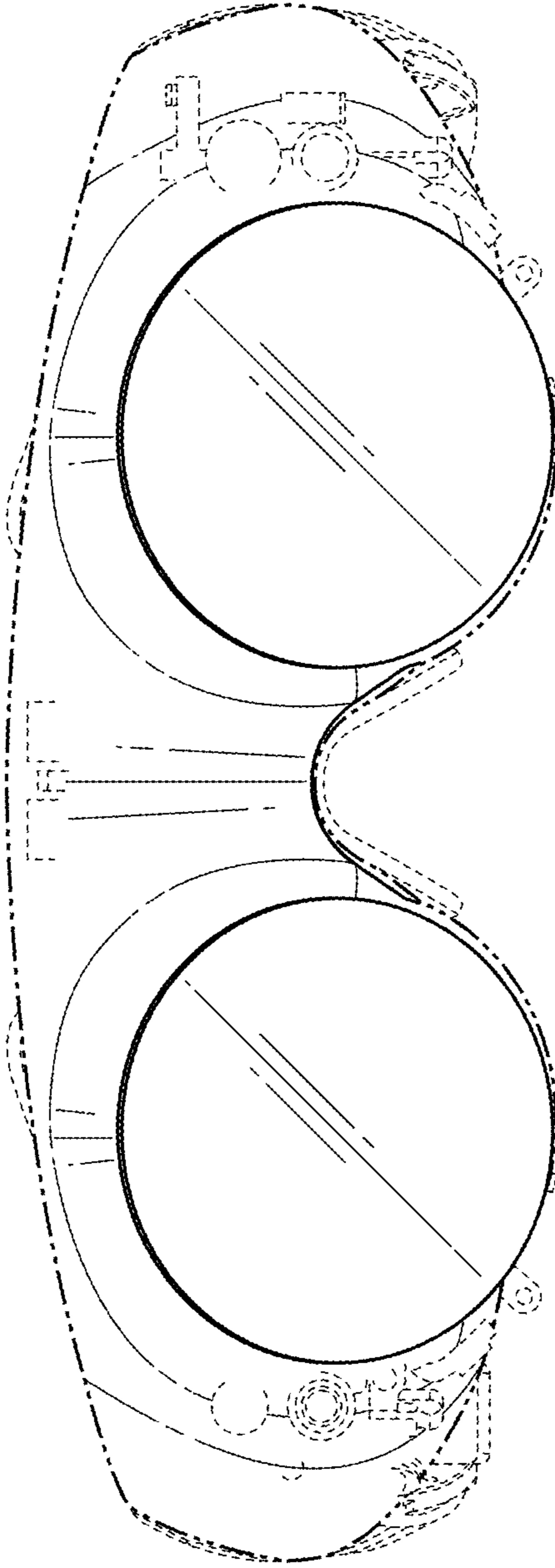


FIG. 3

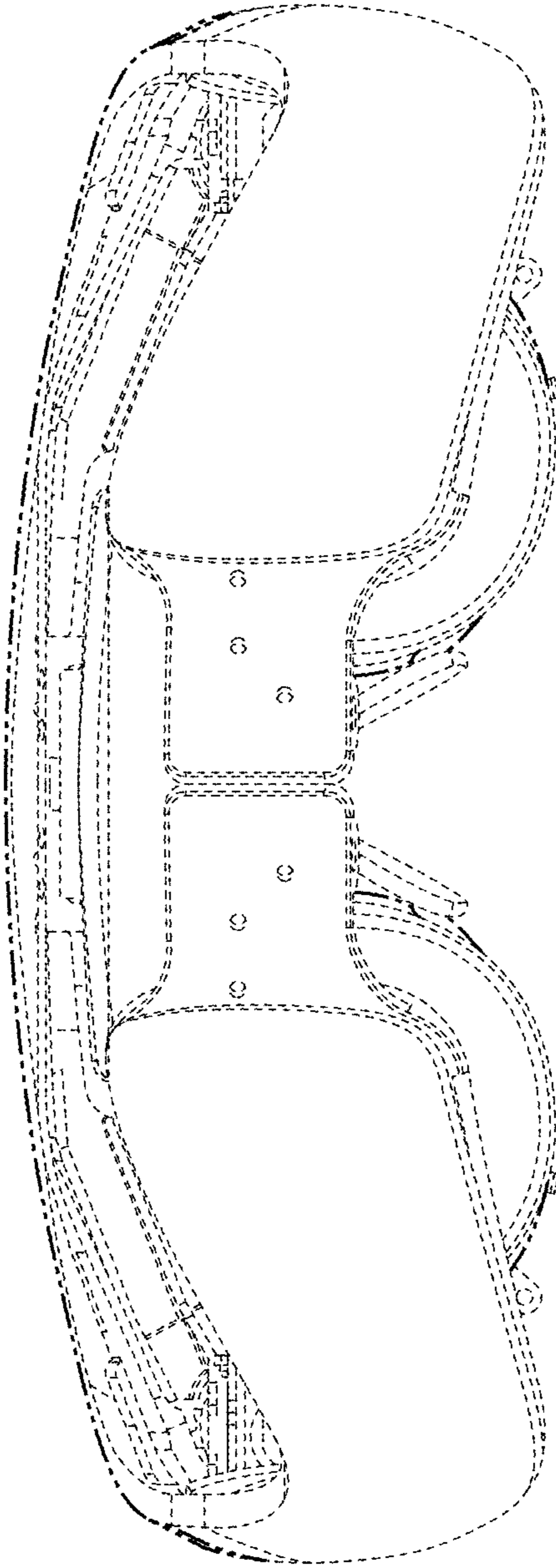


FIG. 4

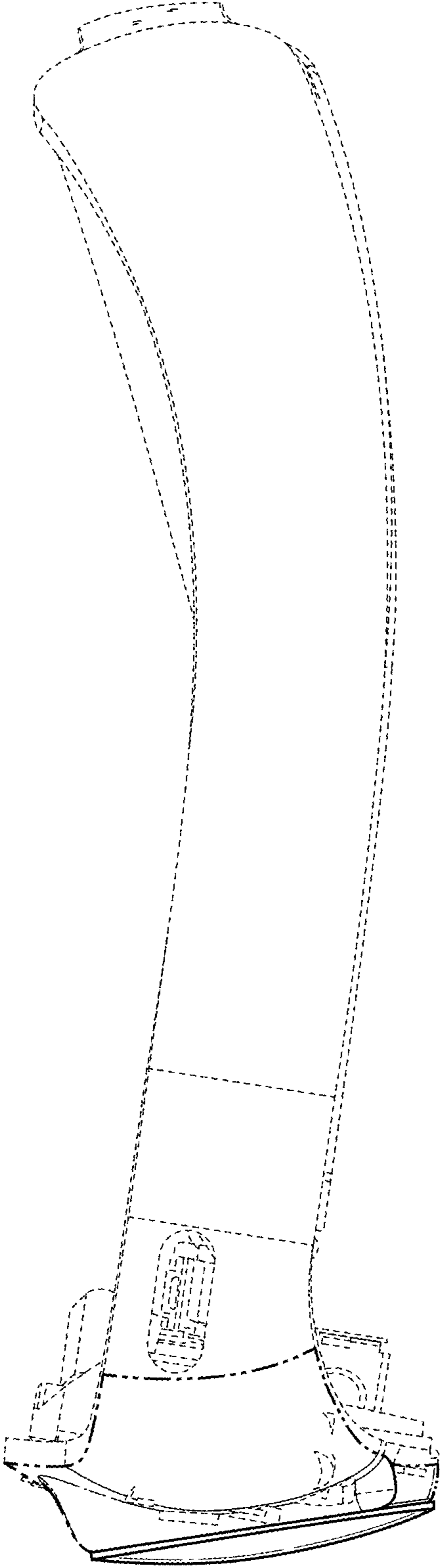


FIG. 5

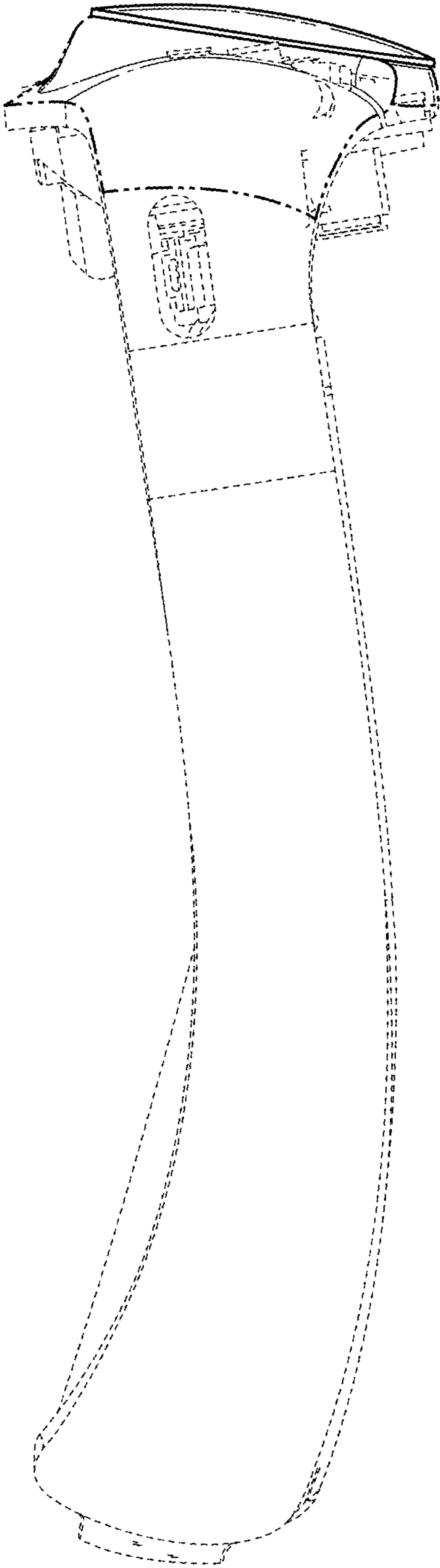


FIG. 6



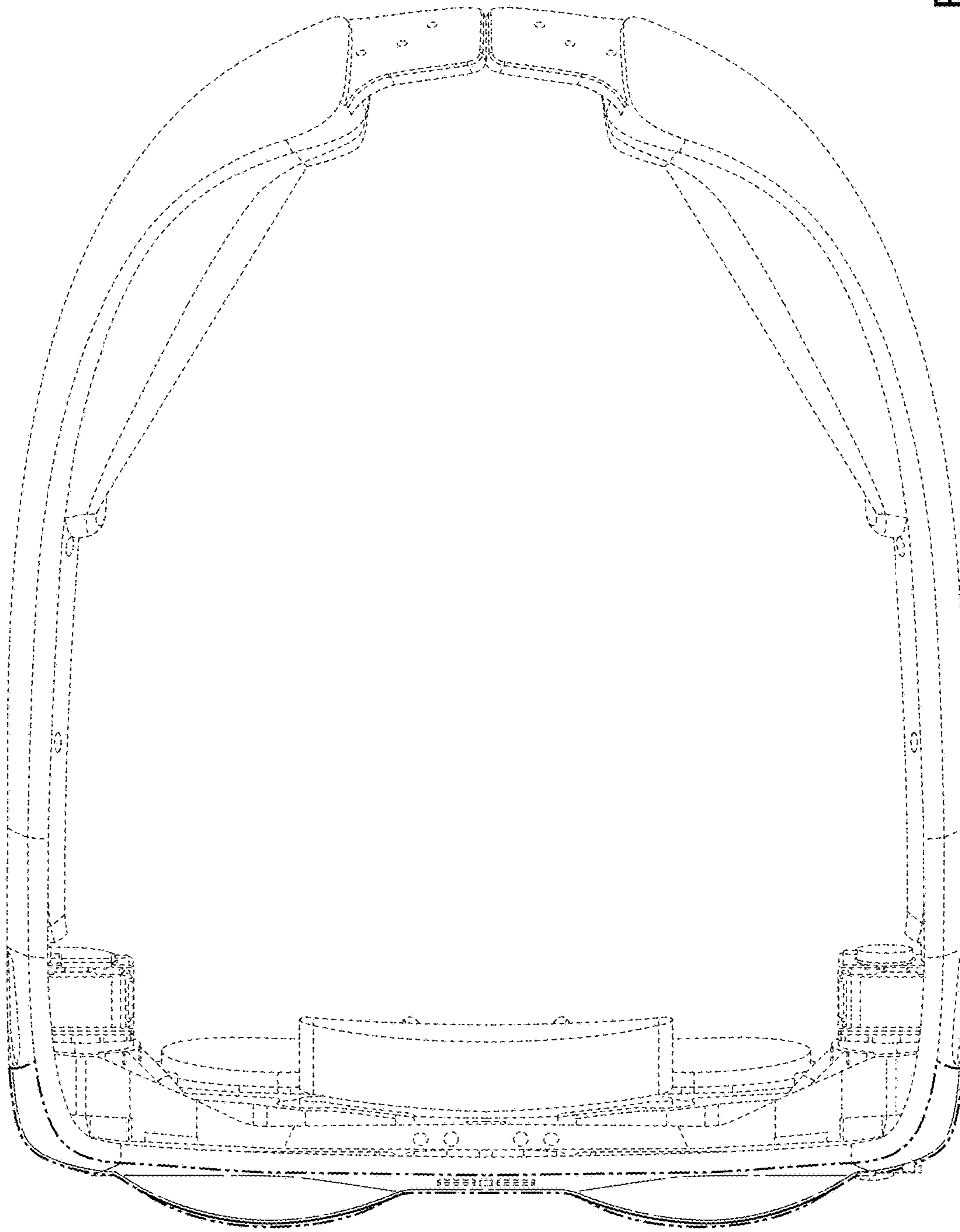


FIG. 7

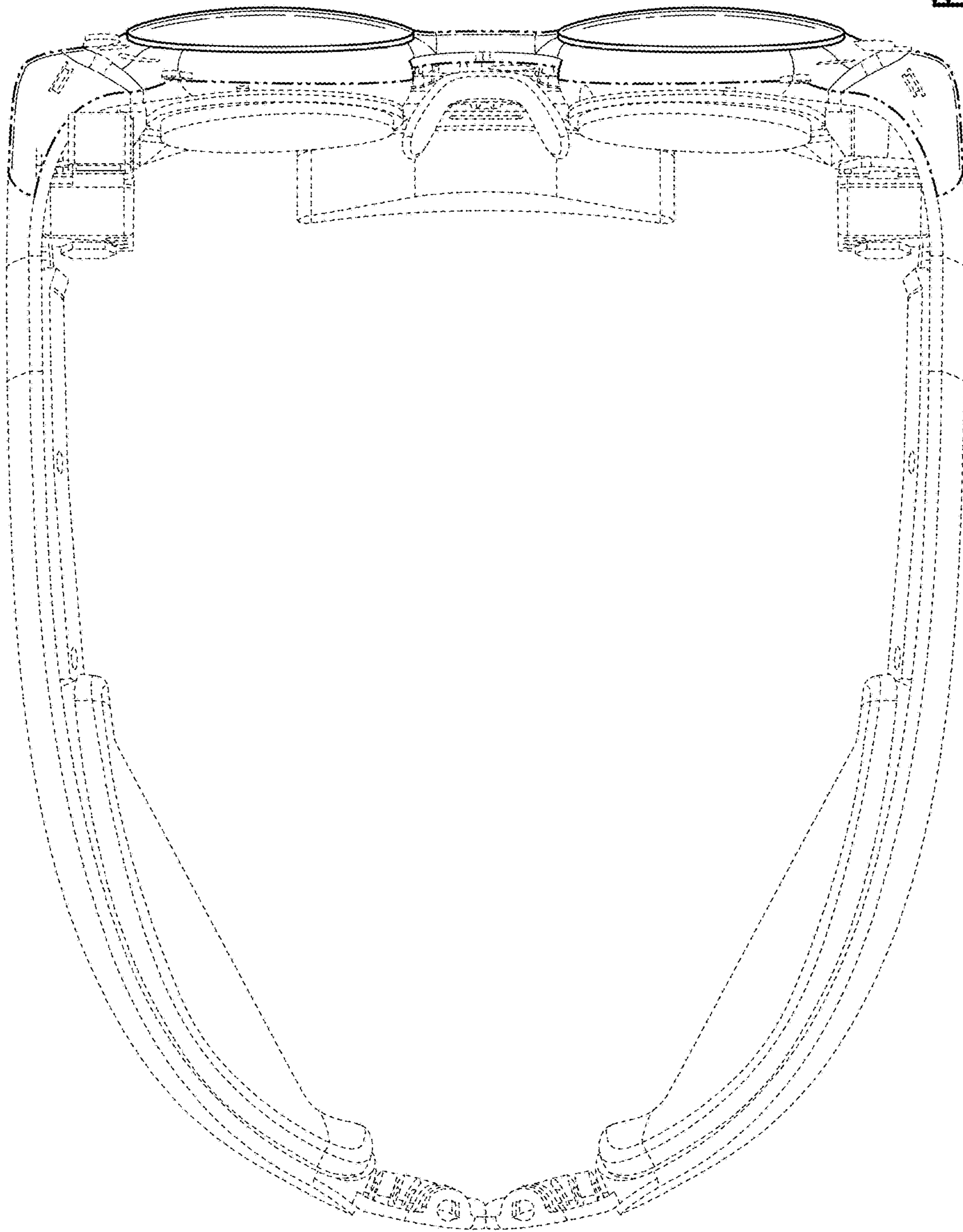


FIG. 8