

US00D836106S

(12) **United States Design Patent** (10) **Patent No.:** **US D836,106 S**
Natsume et al. (45) **Date of Patent:** **** Dec. 18, 2018**

(54) **PADDING FOR HEAD MOUNTED AUDIO-VISUAL DISPLAY SYSTEM**

(71) Applicant: **MAGIC LEAP, INC.**, Plantation, FL (US)

(72) Inventors: **Shigeru Natsume**, Weston, FL (US); **Michael John Slipy**, Plantation, FL (US); **Paul Thomas Foster**, Fort Lauderdale, FL (US); **Bradley Fraser**, Miami Beach, FL (US); **Haney Awad**, Fort Lauderdale, FL (US); **Sebastian Gonzalo Arrieta Gunther**, Fort Lauderdale, FL (US); **Masamune Kaji**, Plantation, FL (US); **William Wheeler**, Fort Lauderdale, FL (US)

(73) Assignee: **Magic Leap, Inc.**, Plantation, FL (US)

(**) Term: **15 Years**

(21) Appl. No.: **29/650,872**

(22) Filed: **Jun. 11, 2018**

Related U.S. Application Data

(63) Continuation of application No. 29/621,011, filed on Oct. 3, 2017.

(51) **LOC (11) Cl.** **14-02**

(52) **U.S. Cl.**
USPC **D14/372**

(58) **Field of Classification Search**
USPC D14/372, 496, 432, 371, 125, 126, 129, D14/299; D16/300-342; 351/158, 153,
(Continued)

(56) **References Cited**

U.S. PATENT DOCUMENTS

D433,023 S 10/2000 Pinchuk
D521,493 S 5/2006 Wai

(Continued)

OTHER PUBLICATIONS

Design application specification and drawings for U.S. Appl. No. 29/584,739, filed Nov. 16, 2016, Inventor Michael Slipy, entitled "Head Mounted Audio-Visual Display System" 9 pages.

(Continued)

Primary Examiner — Austin Murphy

(74) *Attorney, Agent, or Firm* — Vista IP Law Group LLP

(57) **CLAIM**

We claim the ornamental design for padding for head mounted audio-visual display system, as shown and described.

DESCRIPTION

FIG. 1 is a left front perspective view of padding for a head mounted audio-visual display system in a closed configuration showing our design;

FIG. 2 is a right rear perspective view thereof with the head mounted audio-visual display system in the closed configuration;

FIG. 3 is a left rear perspective view thereof with the head mounted audio-visual display system in the closed configuration;

FIG. 4 is a rear view thereof with the head mounted audio-visual display system in the closed configuration;

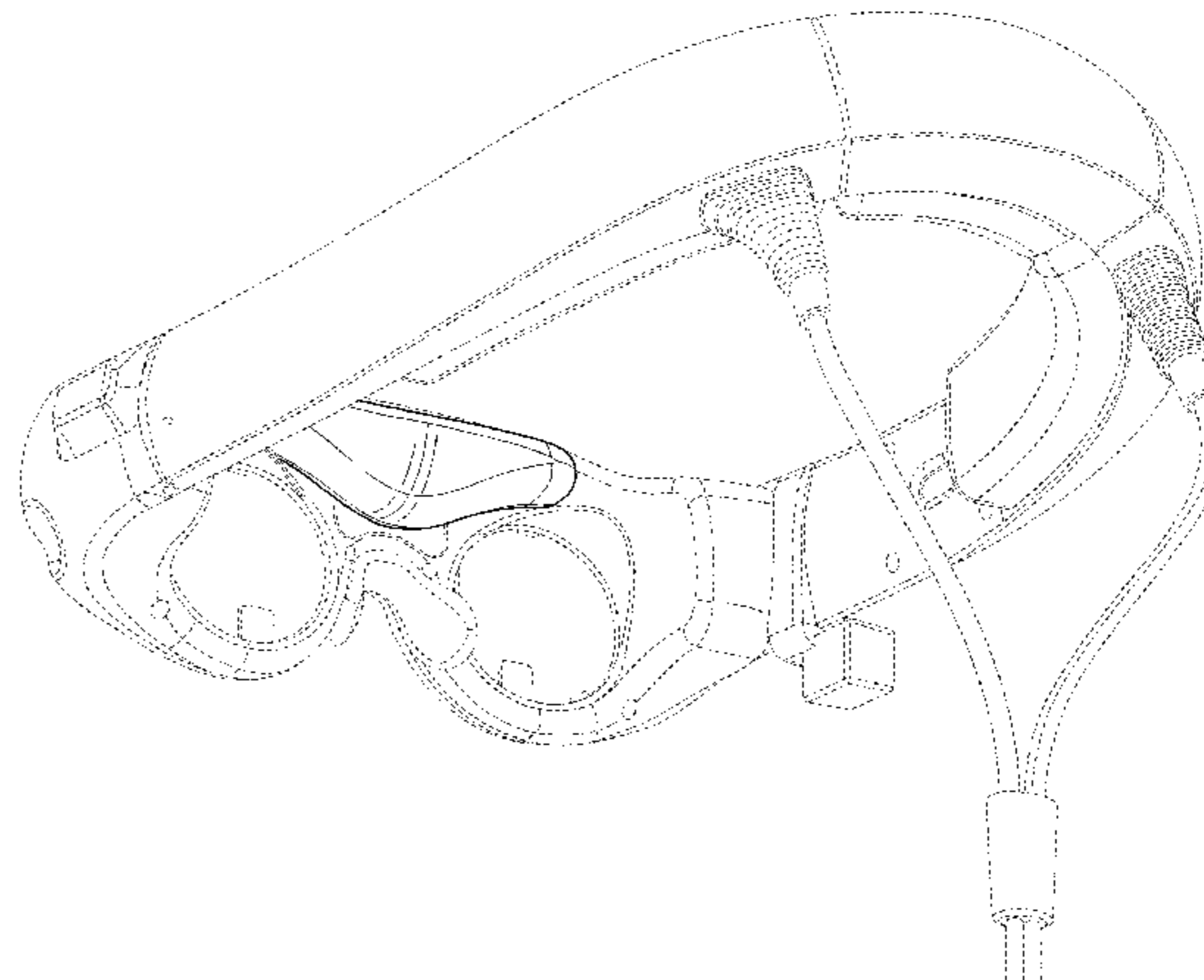
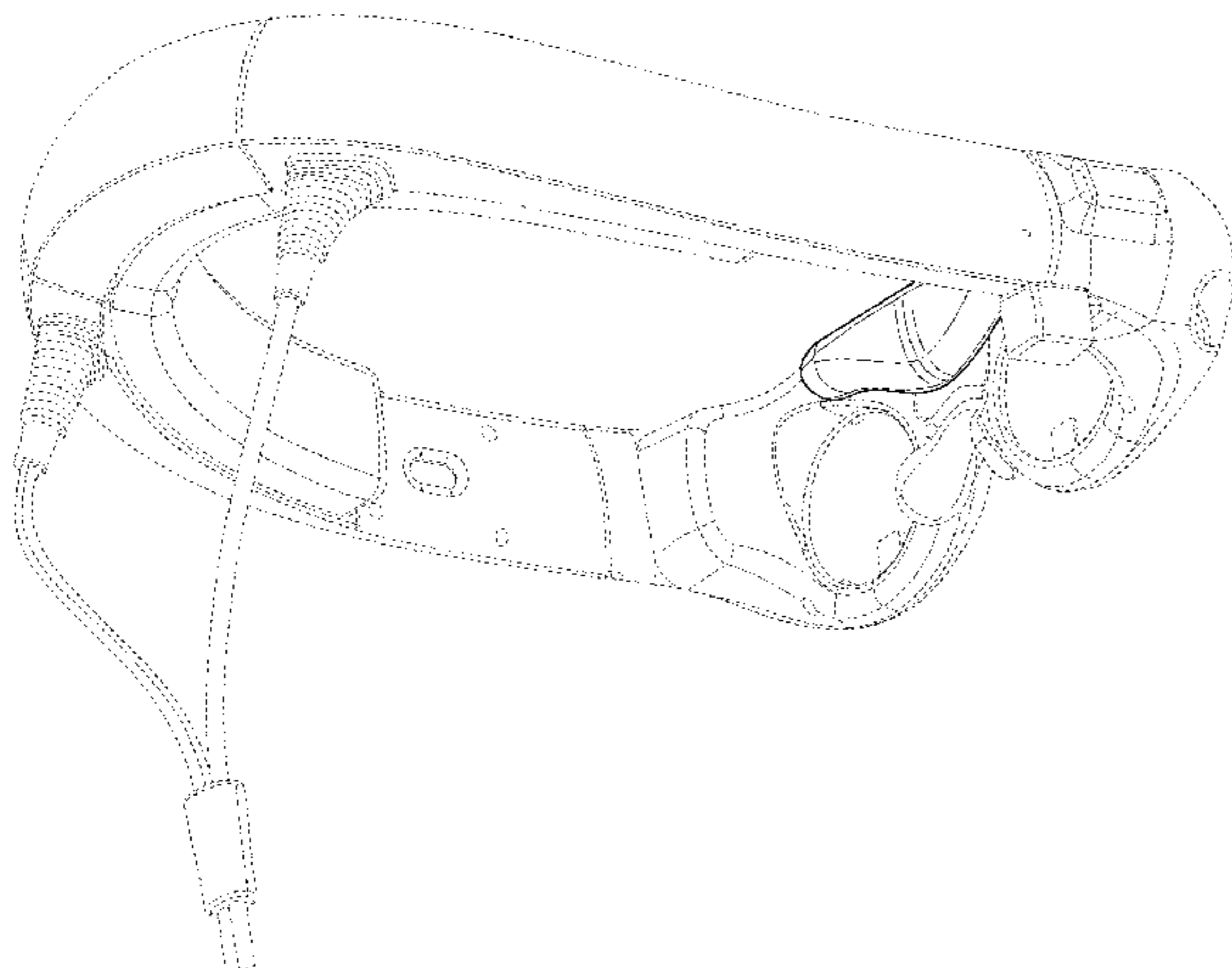
FIG. 5 is a top view thereof with the head mounted audio-visual display system in the closed configuration;

FIG. 6 is a bottom view thereof with the head mounted audio-visual display system in the closed configuration; and,

FIG. 7 is a rear view thereof with the head mounted audio-visual display system in an open configuration.

The broken lines depicting various portions of the head mounted audio-visual display system are included for the purpose of illustrating environmental structure and form no part of the claimed design.

1 Claim, 7 Drawing Sheets



(58) **Field of Classification Search**

USPC 351/144; 345/7-9, 905; 455/344;
348/115, 53, 121, 739
CPC G02B 27/017; G02B 27/0158; G02B
27/0161; G02B 27/0181; G02B 27/0185;
G02B 27/0189

See application file for complete search history.

(56) **References Cited**

U.S. PATENT DOCUMENTS

D669,471 S	10/2012	Hwang et al.	
D704,704 S	5/2014	Tatara et al.	
D757,007 S	5/2016	Cazalet et al.	
D776,111 S *	1/2017	Baldassi	D14/372
D780,752 S *	3/2017	Park	D14/372
D781,290 S *	3/2017	Kim	D14/372
D792,400 S	7/2017	Osterhout	
D796,503 S	9/2017	Natsume et al.	
D796,504 S *	9/2017	Natsume	D14/372
D796,505 S	9/2017	Natsume et al.	
D796,506 S *	9/2017	Natsume	D14/372
D797,733 S	9/2017	Lee	
D797,735 S *	9/2017	Fraser	D14/372
D798,862 S *	10/2017	Wang	D14/372
D799,482 S *	10/2017	Thomas	D14/372
D800,727 S *	10/2017	Mullins	D14/372
D805,072 S *	12/2017	Seki	D14/372
D805,073 S *	12/2017	Yee	D14/372
D806,710 S *	1/2018	Chen	D14/372
D807,882 S *	1/2018	Gribetz	D14/372
D810,743 S *	2/2018	Yee	D14/372
D812,612 S *	3/2018	Gribetz	D14/372
D815,092 S *	4/2018	Liao	D14/372

D819,636 S *	6/2018	Chen	D14/372
D819,637 S *	6/2018	Chen	D14/372
D820,258 S	6/2018	Maw et al.	

OTHER PUBLICATIONS

Design application specification and drawings for U.S. Appl. No. 29/603,737, filed May 11, 2016, Inventor David Charles Lundmark, et al., entitled "Head Mounted Audio-Visual Display System Connection Cable" 25 pages.

Design application specification and drawings for U.S. Appl. No. 29/575,027, filed Aug. 22, 2016, Inventor Bradley Fraser, et al., entitled "Mixed Reality Head Mounted Display" 9 pages.

Notice of Allowance dated Jul. 31, 2018 for Design U.S. Appl. No. 29/650,868, 12 pages.

Notice of Allowance dated Jul. 31, 2018 for Design U.S. Appl. No. 29/653,570, 8 pages.

Notice of Allowance dated Jul. 31, 2018 for Design U.S. Appl. No. 29/653,573, 8 pages.

Notice of Allowance dated Jul. 31, 2018 for Design U.S. Appl. No. 29/653,575, 8 pages.

Notice of Allowance dated Aug. 28, 2018 for Design U.S. Appl. No. 29/653,576, 8 pages.

Notice of Allowance dated Aug. 27, 2018 for Design U.S. Appl. No. 29/647,016, 17 pages.

Notice of Allowance dated Aug. 29, 2018 for Design U.S. Appl. No. 29/647,017, 17 pages.

Notice of Allowance dated Aug. 27, 2018 for Design U.S. Appl. No. 29/647,018, 17 pages.

Notice of Allowance dated Aug. 29, 2018 for Design U.S. Appl. No. 29/647,019, 17 pages.

* cited by examiner

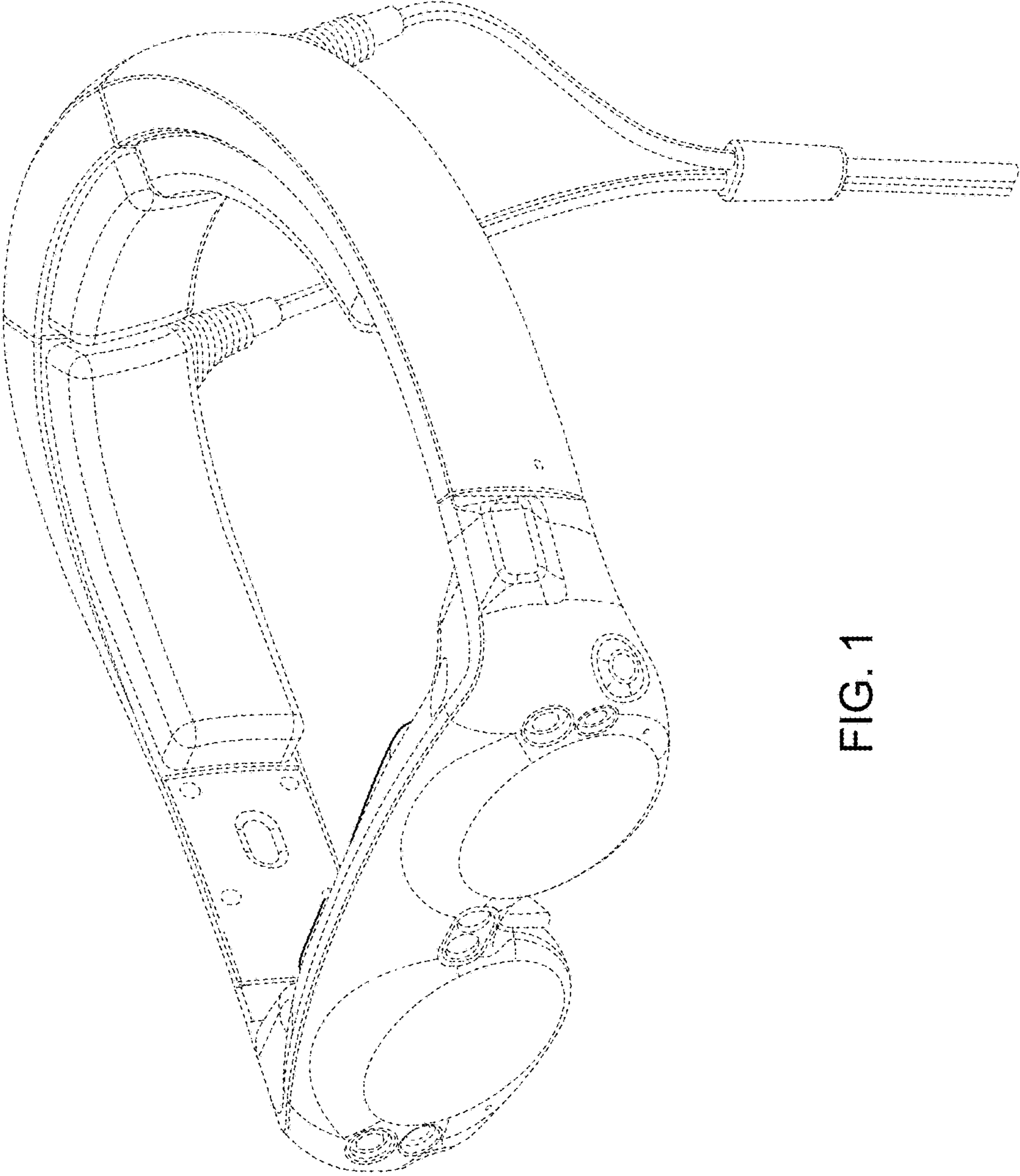


FIG. 1

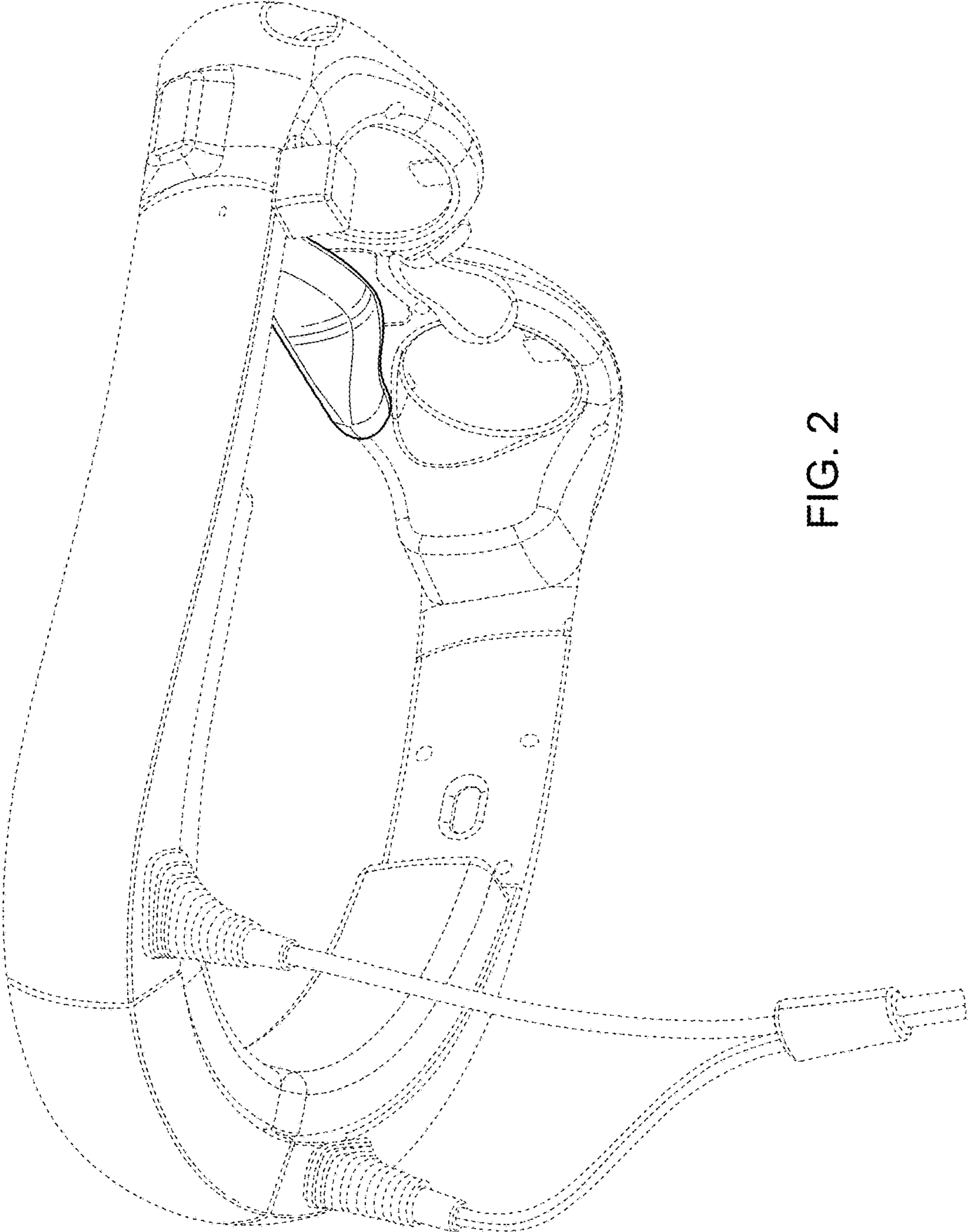


FIG. 2

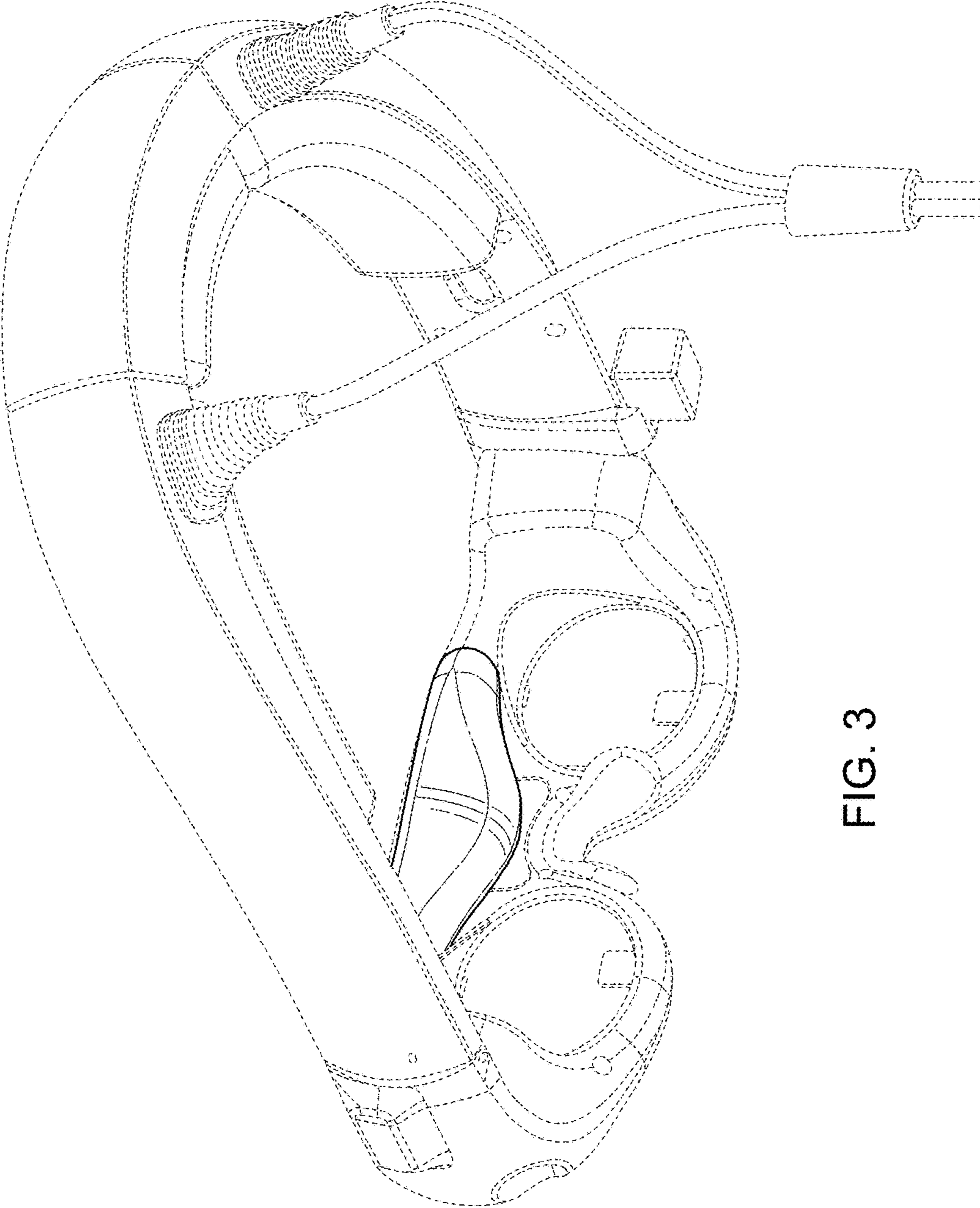


FIG. 3

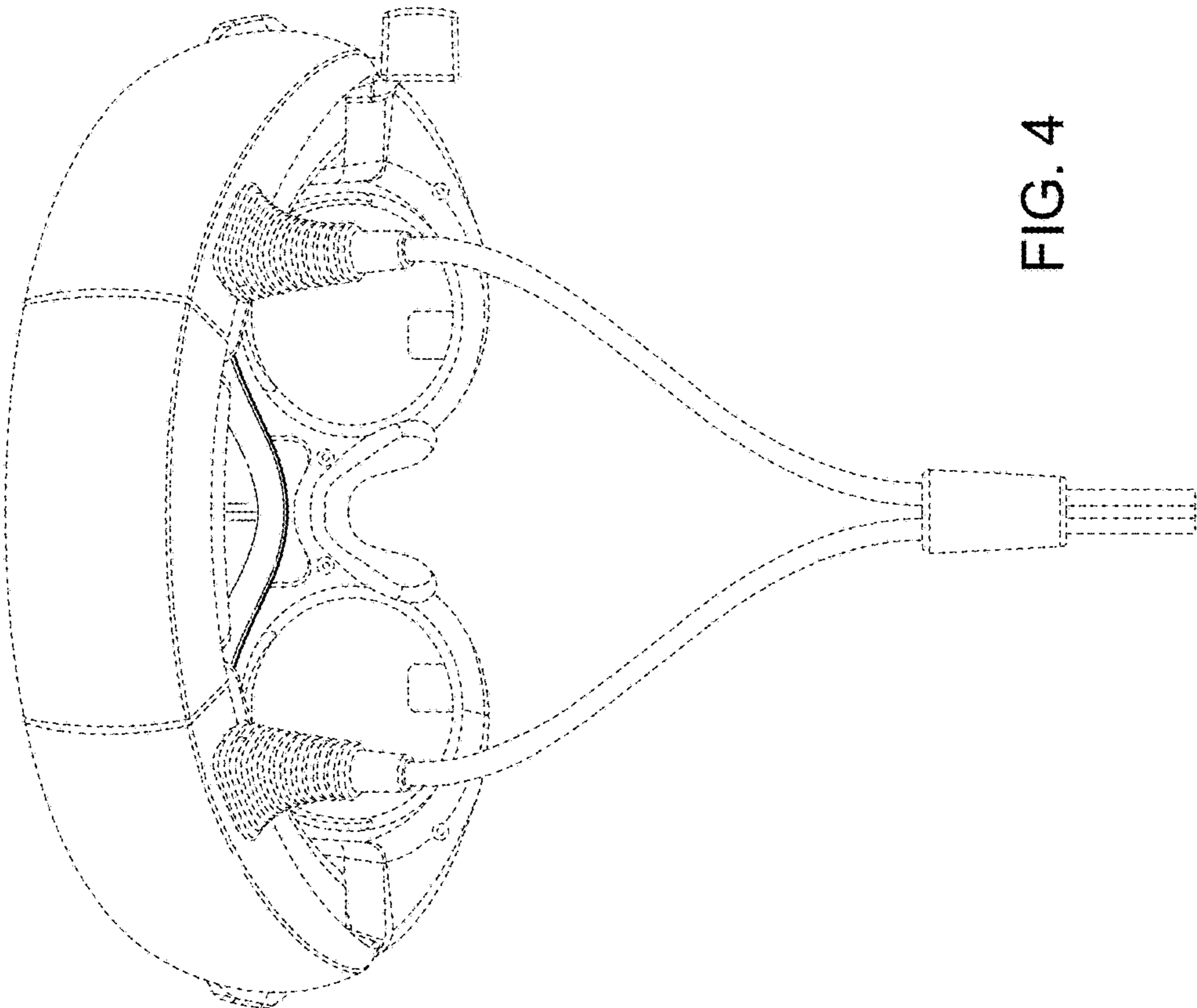


FIG. 4

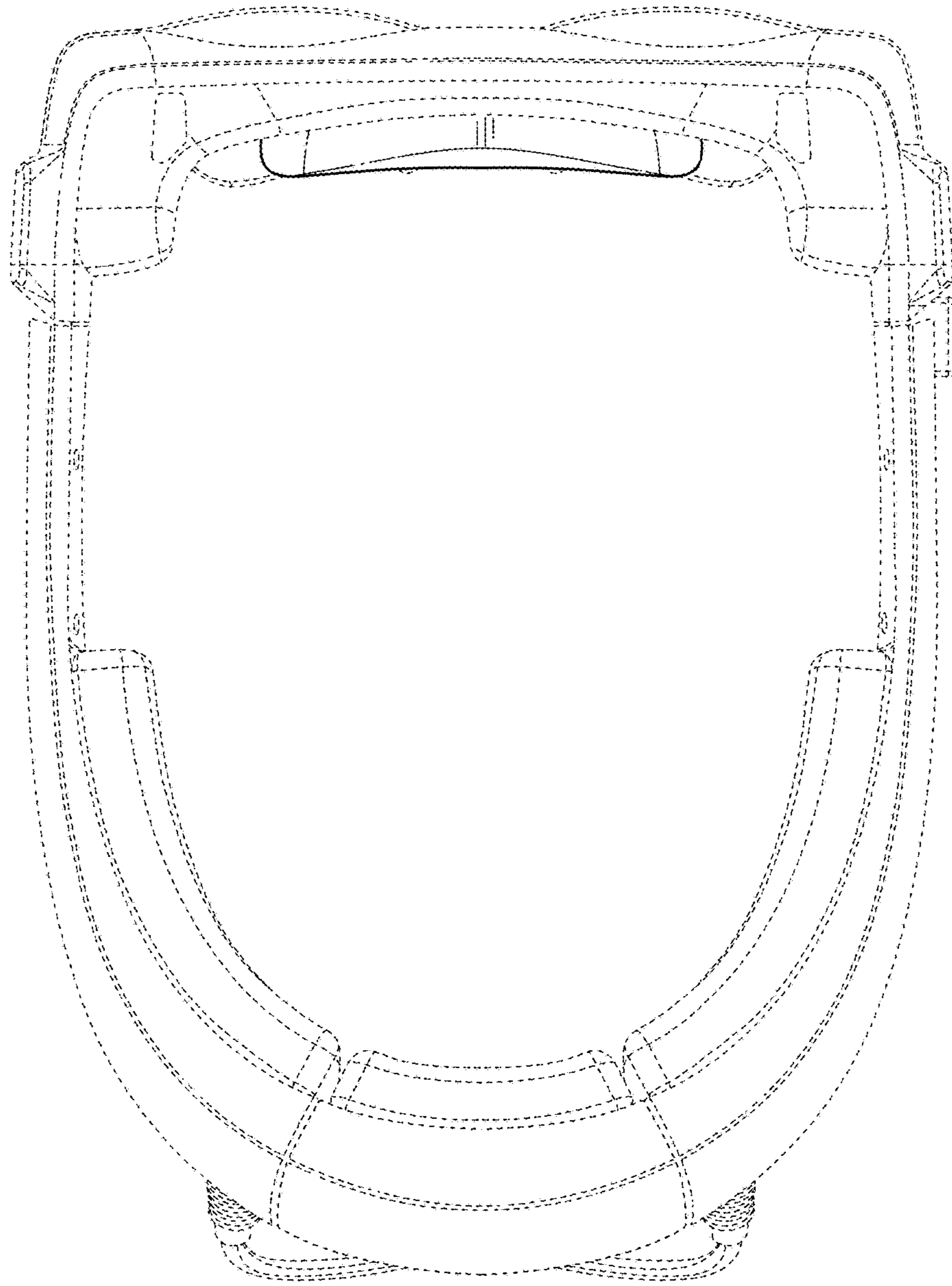


FIG. 5

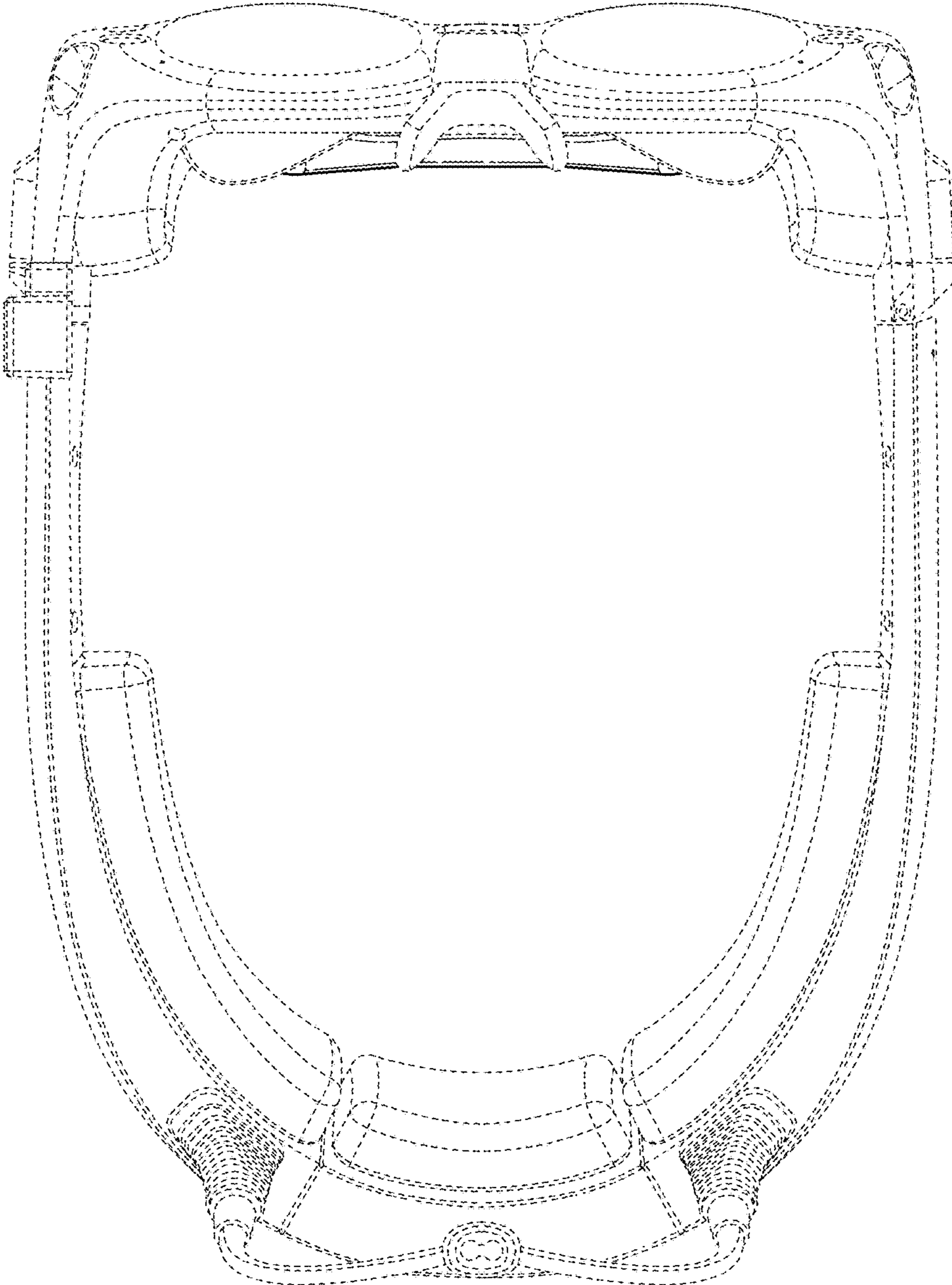


FIG. 6

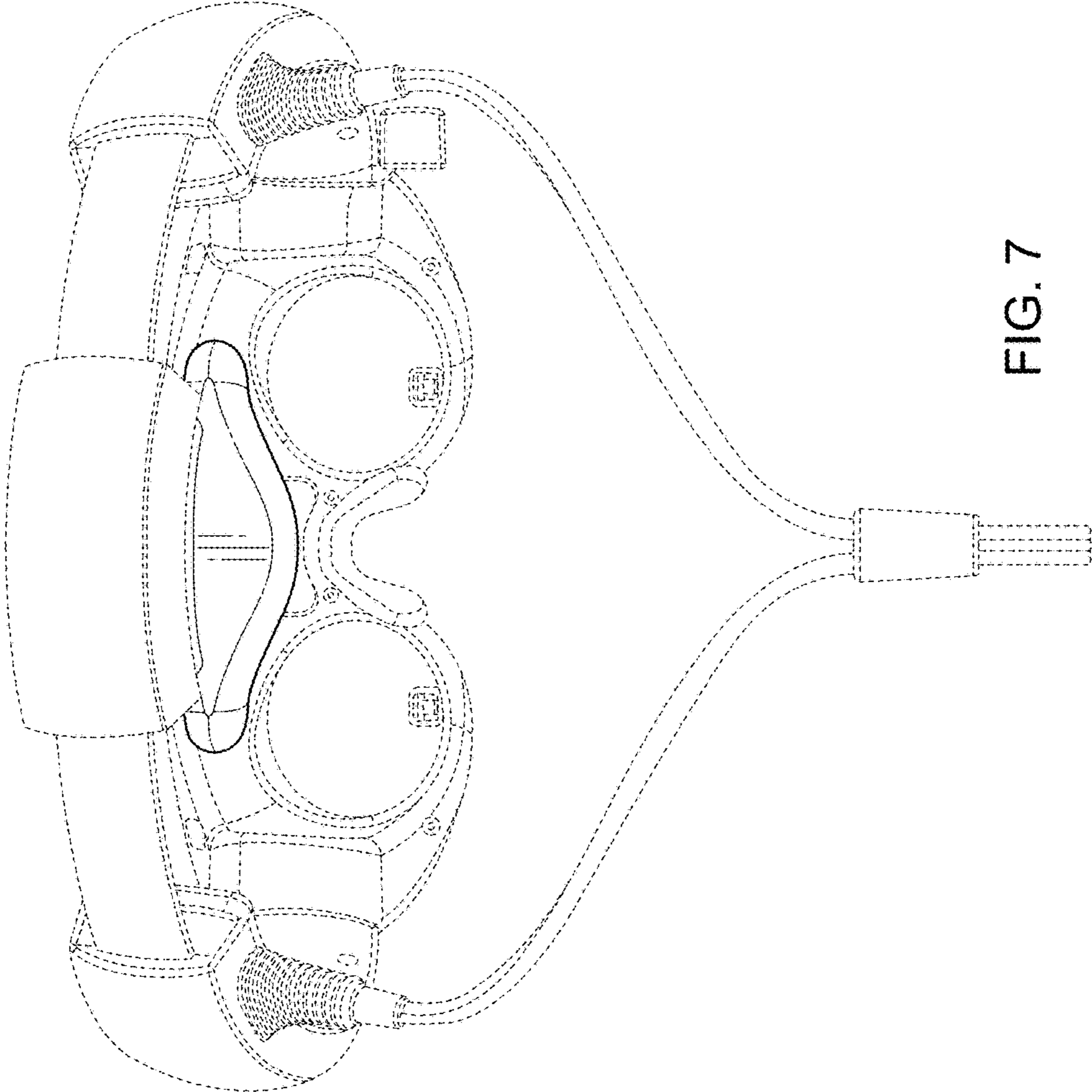


FIG. 7