



US00D836105S

(12) **United States Design Patent** (10) **Patent No.:** **US D836,105 S**
Natsume et al. (45) **Date of Patent:** **** Dec. 18, 2018**

(54) **PADDING FOR HEAD MOUNTED AUDIO-VISUAL DISPLAY SYSTEM**

- (71) Applicant: **MAGIC LEAP, INC.**, Plantation, FL (US)
- (72) Inventors: **Shigeru Natsume**, Weston, FL (US); **Michael John Slipy**, Plantation, FL (US); **Paul Thomas Foster**, Fort Lauderdale, FL (US); **Bradley Fraser**, Miami Beach, FL (US); **Haney Awad**, Fort Lauderdale, FL (US); **Sebastian Gonzalo Arrieta Gunther**, Fort Lauderdale, FL (US); **Masamune Kaji**, Plantation, FL (US); **William Wheeler**, Fort Lauderdale, FL (US)
- (73) Assignee: **Magic Leap, Inc.**, Plantation, FL (US)
- (**) Term: **15 Years**
- (21) Appl. No.: **29/650,868**
- (22) Filed: **Jun. 11, 2018**

Related U.S. Application Data

- (63) Continuation of application No. 29/621,011, filed on Oct. 3, 2017.
- (51) **LOC (11) Cl.** **14-02**
- (52) **U.S. Cl.**
USPC **D14/372**
- (58) **Field of Classification Search**
USPC D14/372, 496, 432, 371, 125, 126, 129, D14/299; D16/300-342; 351/158, 153,
(Continued)

(56) **References Cited**

U.S. PATENT DOCUMENTS

- D433,023 S 10/2000 Pinchuk
 - D521,493 S 5/2006 Wai
- (Continued)

OTHER PUBLICATIONS

Design application specification and drawings for U.S. Appl. No. 29/584,739, filed Nov. 16, 2016, Inventor Michael Slipy, entitled "Head Mounted Audio-Visual Display System" 9 pages.
(Continued)

Primary Examiner — Austin Murphy
(74) *Attorney, Agent, or Firm* — Vista IP Law Group LLP

(57) **CLAIM**

We claim the ornamental design for padding for head mounted audio-visual display system, as shown and described.

DESCRIPTION

FIG. 1 is a left front perspective view of padding for a head mounted audio-visual display system in a closed configuration showing our design;

FIG. 2 is a right front perspective view thereof with the head mounted audio-visual display system in the closed configuration;

FIG. 3 is a right rear perspective view thereof with the head mounted audio-visual display system in the closed configuration;

FIG. 4 is a left rear perspective view thereof with the head mounted audio-visual display system in the closed configuration;

FIG. 5 is a front view thereof with the head mounted audio-visual display system in the closed configuration;

FIG. 6 is a rear view thereof with the head mounted audio-visual display system in the closed configuration;

FIG. 7 is a top view thereof with the head mounted audio-visual display system in the closed configuration;

FIG. 8 is a bottom view thereof with the head mounted audio-visual display system in the closed configuration;

FIG. 9 is a left front perspective view thereof with the head mounted audio-visual display system in an open configuration;

FIG. 10 is a right front perspective view thereof with the head mounted audio-visual display system in the open configuration;

(Continued)

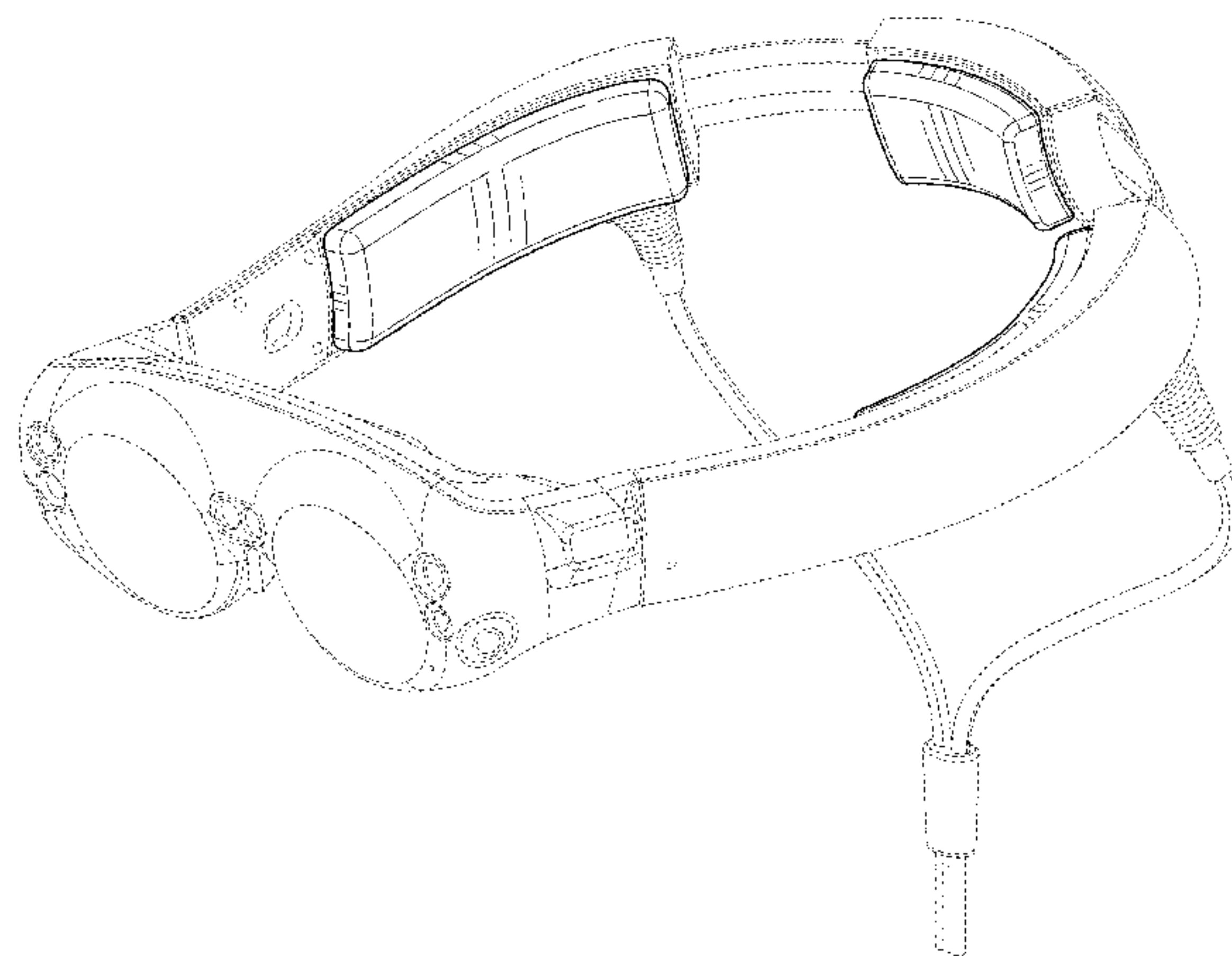
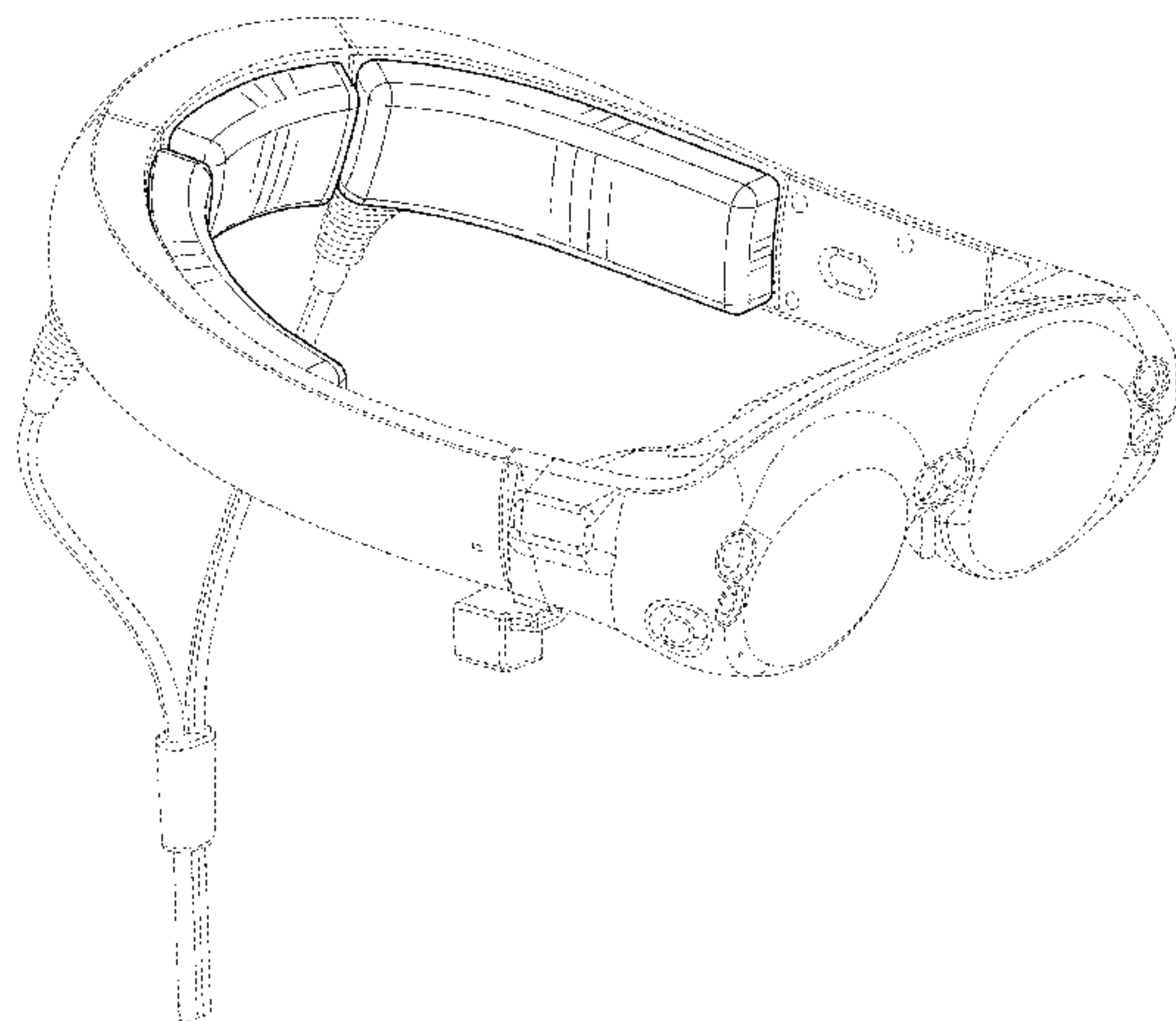


FIG. 11 is a left view thereof with the head mounted audio-visual display system in the open configuration; FIG. 12 is a top view thereof with the head mounted audio-visual display system in the open configuration; and, FIG. 13 is a rear view thereof with the head mounted audio-visual display system in the open configuration. The broken lines depicting various portions of the head mounted audio-visual display system are included for the purpose of illustrating environmental structure and form no part of the claimed design.

D799,482	S	*	10/2017	Thomas	D14/372
D800,727	S	*	10/2017	Mullins	D14/372
D805,072	S	*	12/2017	Seki	D14/372
D805,073	S	*	12/2017	Yee	D14/372
D806,710	S	*	1/2018	Chen	D14/372
D807,882	S	*	1/2018	Gribetz	D14/372
D810,743	S	*	2/2018	Yee	D14/372
D812,612	S	*	3/2018	Gribetz	D14/372
D815,092	S	*	4/2018	Liao	D14/372
D819,636	S	*	6/2018	Chen	D14/372
D819,637	S	*	6/2018	Chen	D14/372
D820,258	S		6/2018	Maw et al.		

1 Claim, 13 Drawing Sheets

(58) **Field of Classification Search**

USPC 351/144; 345/7-9, 905; 455/344;
348/115, 53, 121, 739
CPC G02B 27/017; G02B 27/0158; G02B
27/0161; G02B 27/0181; G02B 27/0185;
G02B 27/0189

See application file for complete search history.

(56) **References Cited**

U.S. PATENT DOCUMENTS

D669,471	S		10/2012	Hwang et al.		
D704,704	S		5/2014	Tatara et al.		
D757,007	S		5/2016	Cazalet et al.		
D776,111	S	*	1/2017	Baldassi	D14/372
D780,752	S	*	3/2017	Park	D14/372
D781,290	S	*	3/2017	Kim	D14/372
D792,400	S		7/2017	Osterhout		
D796,503	S		9/2017	Natsume et al.		
D796,504	S	*	9/2017	Natsume	D14/372
D796,505	S		9/2017	Natsume et al.		
D796,506	S	*	9/2017	Natsume	D14/372
D797,733	S		9/2017	Lee		
D797,735	S	*	9/2017	Fraser	D14/372
D798,862	S	*	10/2017	Wang	D14/372

OTHER PUBLICATIONS

Design application specification and drawings for U.S. Appl. No. 29/603,737, filed May 11, 2016, Inventor David Charles et al., entitled "Head Mounted Audio-Visual Display System Connection Cable" 25 pages.

Design application specification and drawings for U.S. Appl. No. 29/575,027, filed Aug. 22, 2016, Inventor Bradley Fraser, et al., entitled "Mixed Reality Head Mounted Display" 9 pages.

Notice of Allowance dated Jul. 31, 2018 for Design U.S. Appl. No. 29/650,872, 12 pages.

Notice of Allowance dated Jul. 31, 2018 for Design U.S. Appl. No. 29/653,570, 8 pages.

Notice of Allowance dated Jul. 31, 2018 for Design U.S. Appl. No. 29/653,573, 8 pages.

Notice of Allowance dated Jul. 31, 2018 for Design U.S. Appl. No. 29/653,575, 8 pages.

Notice of Allowance dated Aug. 28, 2018 for Design U.S. Appl. No. 29/653,576, 8 pages.

Notice of Allowance dated Aug. 27, 2018 for Design U.S. Appl. No. 29/647,016, 17 pages.

Notice of Allowance dated Aug. 29, 2018 for Design U.S. Appl. No. 29/647,017, 17 pages.

Notice of Allowance dated Aug. 27, 2018 for Design U.S. Appl. No. 29/647,018, 17 pages.

Notice of Allowance dated Aug. 29, 2018 for Design U.S. Appl. No. 29/647,019, 17 pages.

* cited by examiner

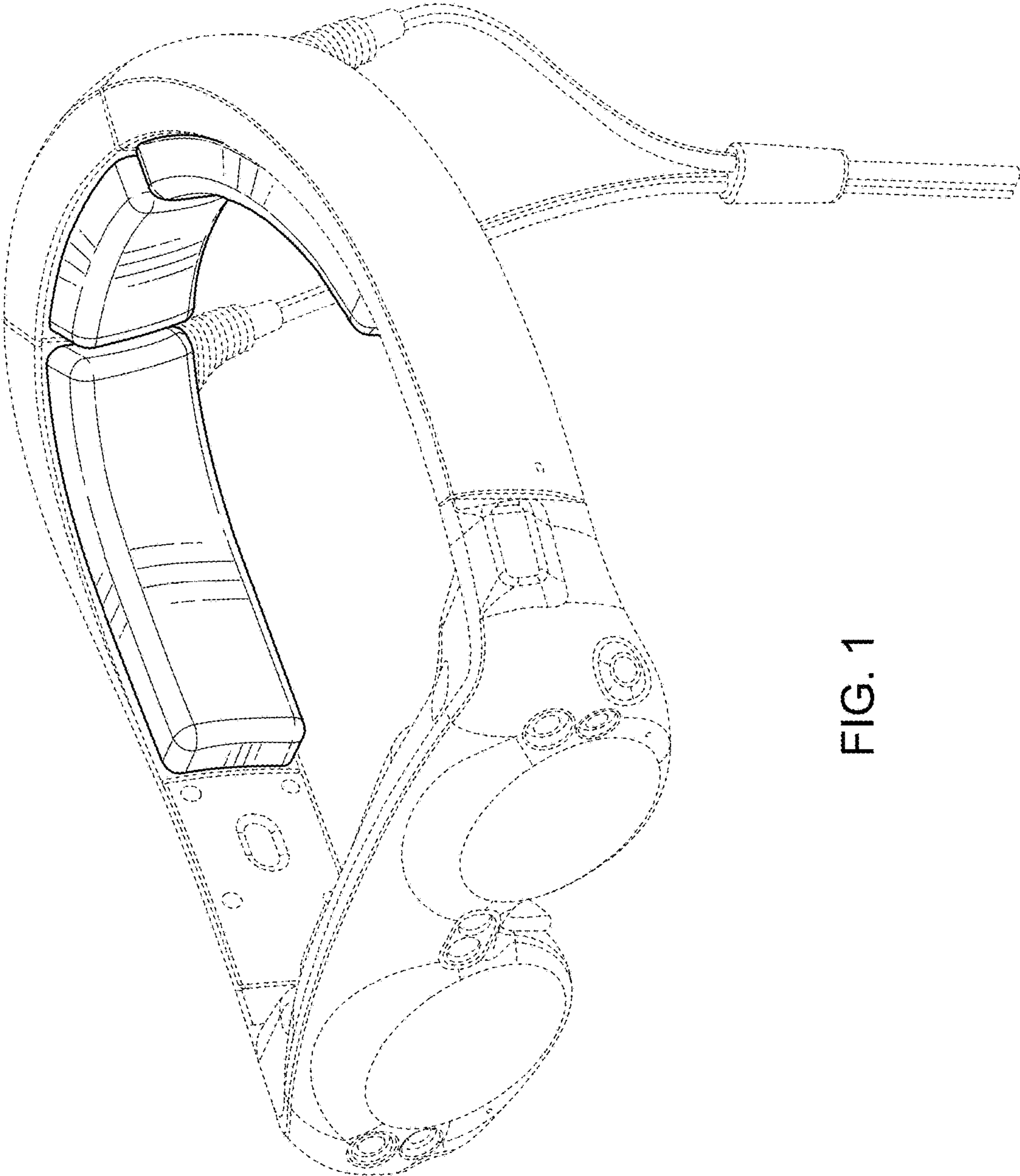


FIG. 1

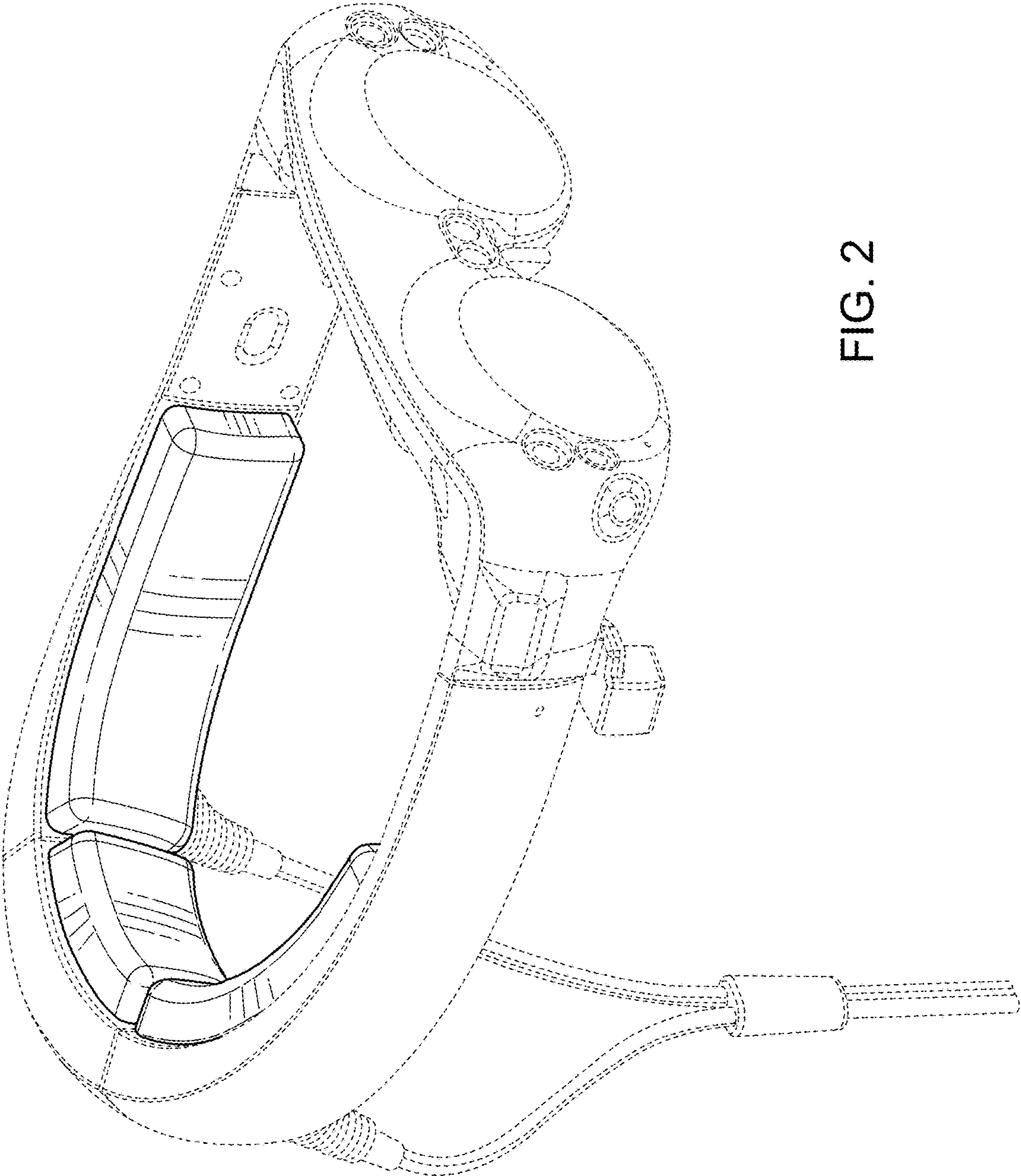


FIG. 2

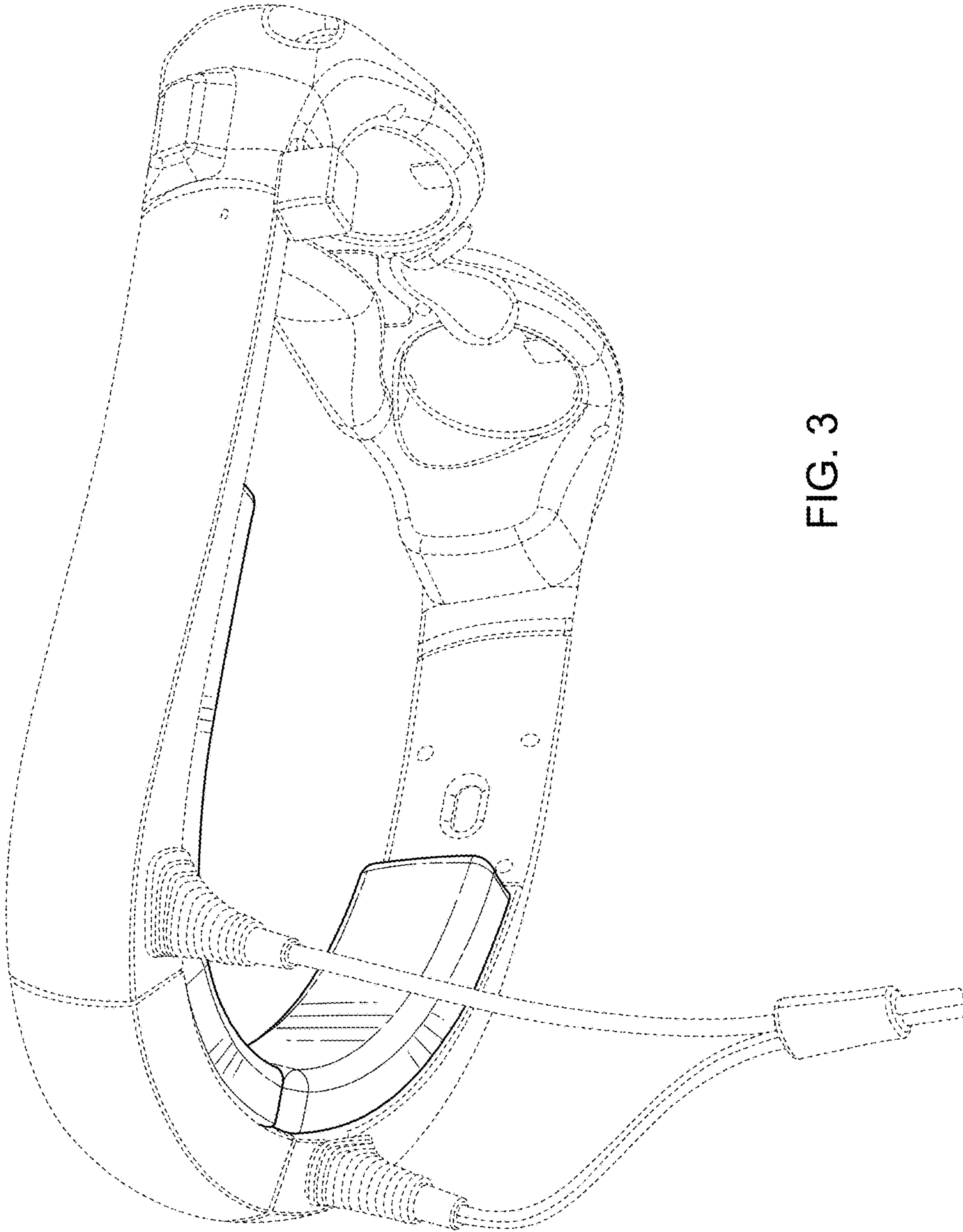


FIG. 3

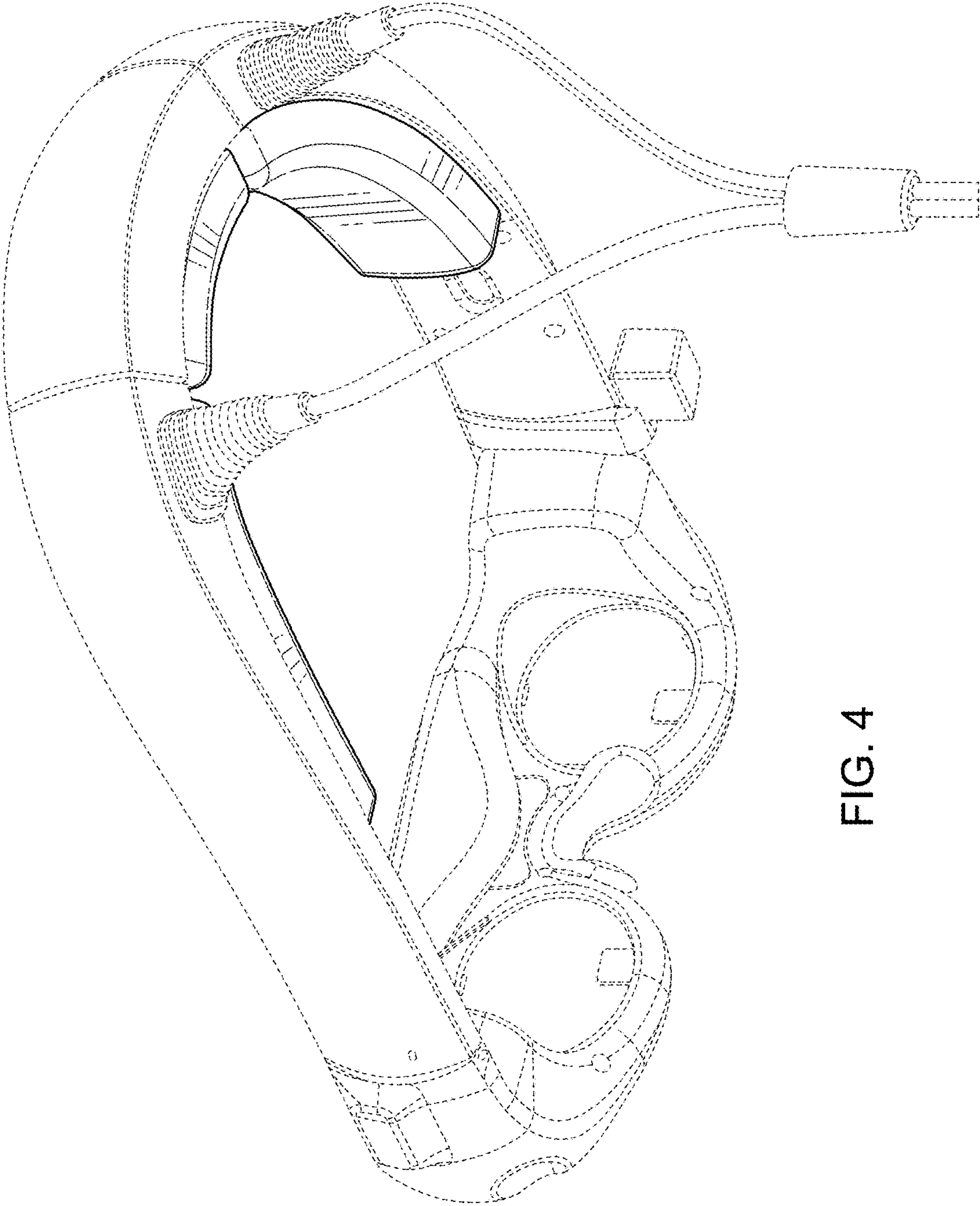


FIG. 4

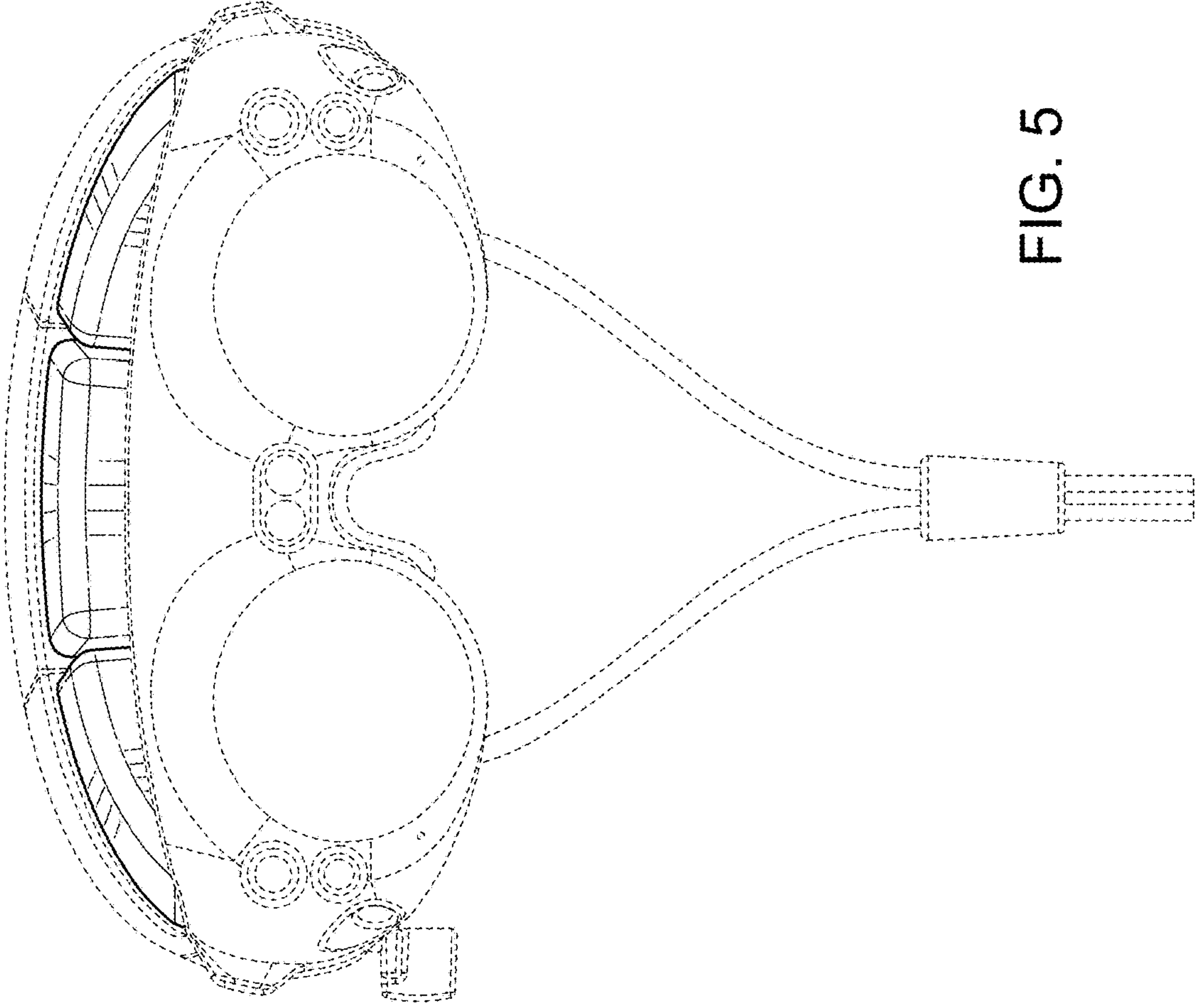


FIG. 5

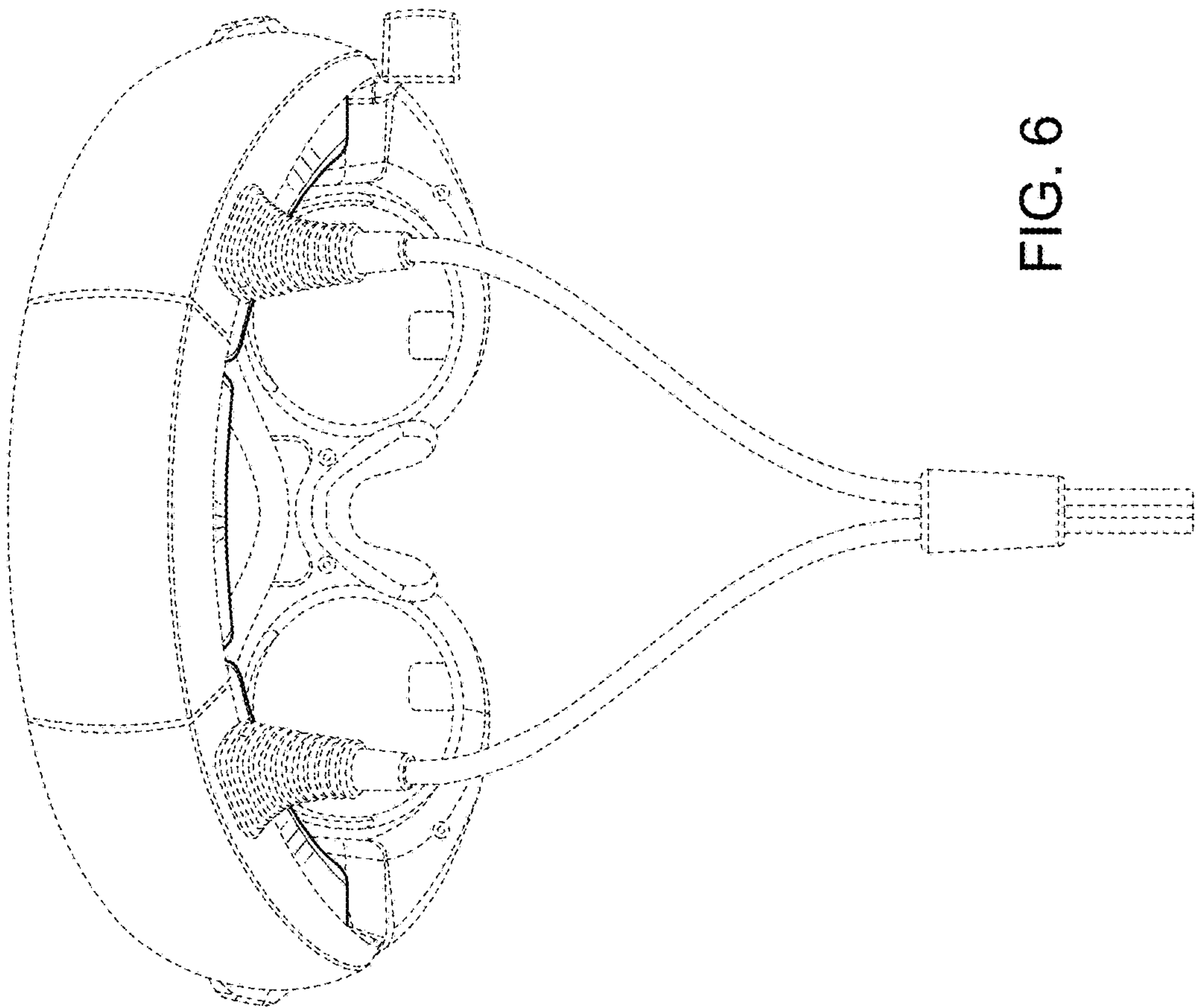


FIG. 6

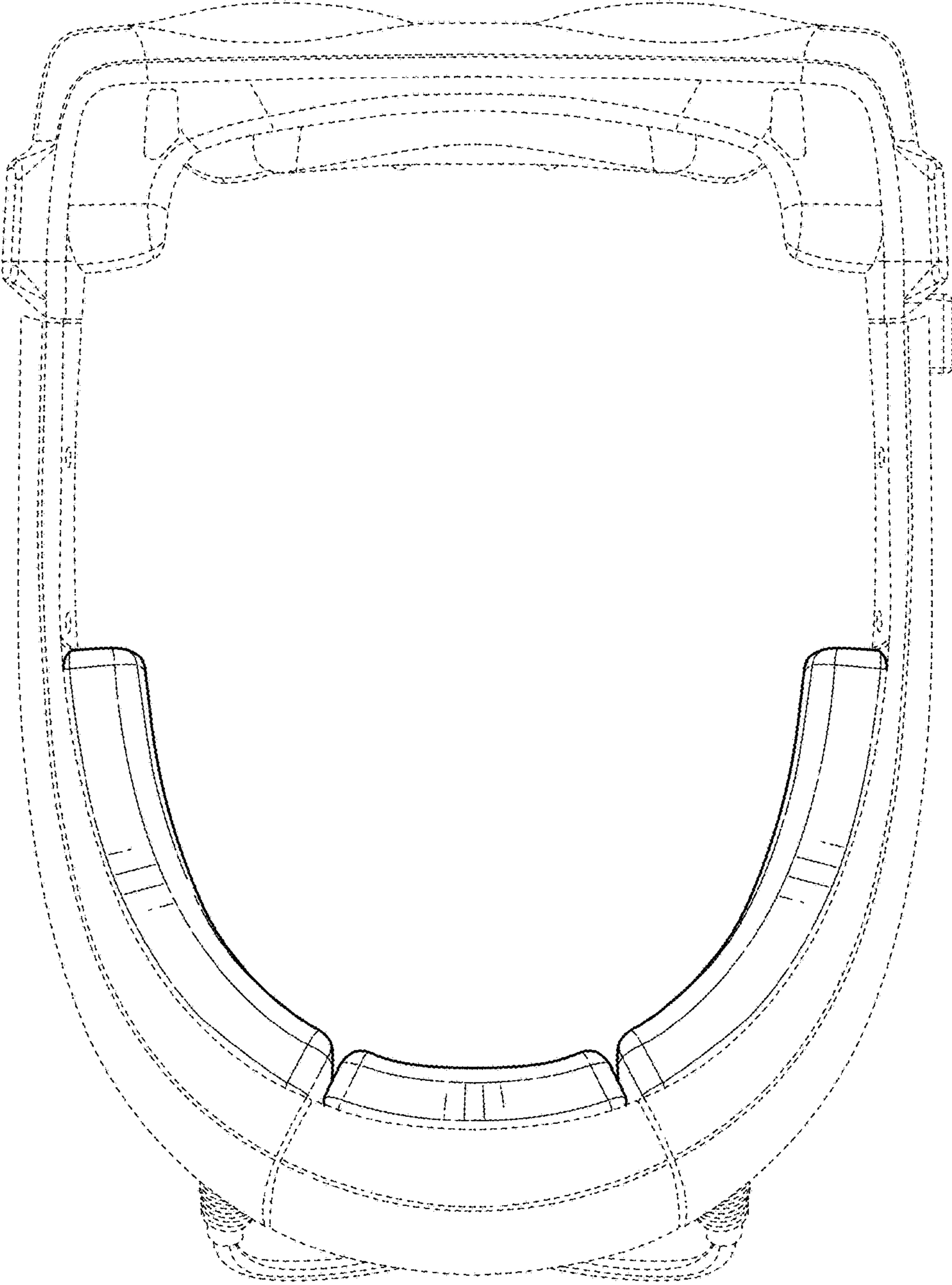


FIG. 7

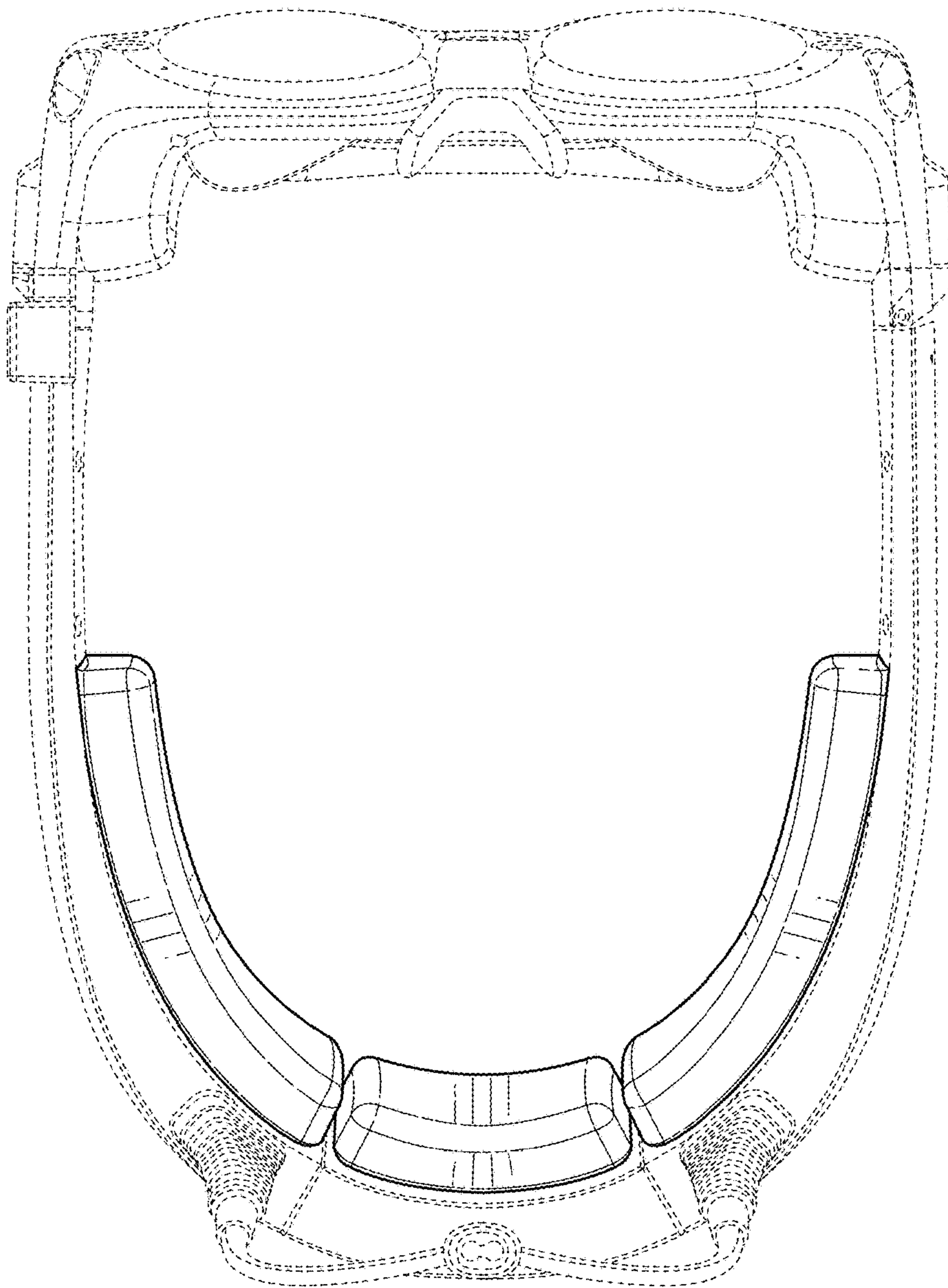


FIG. 8

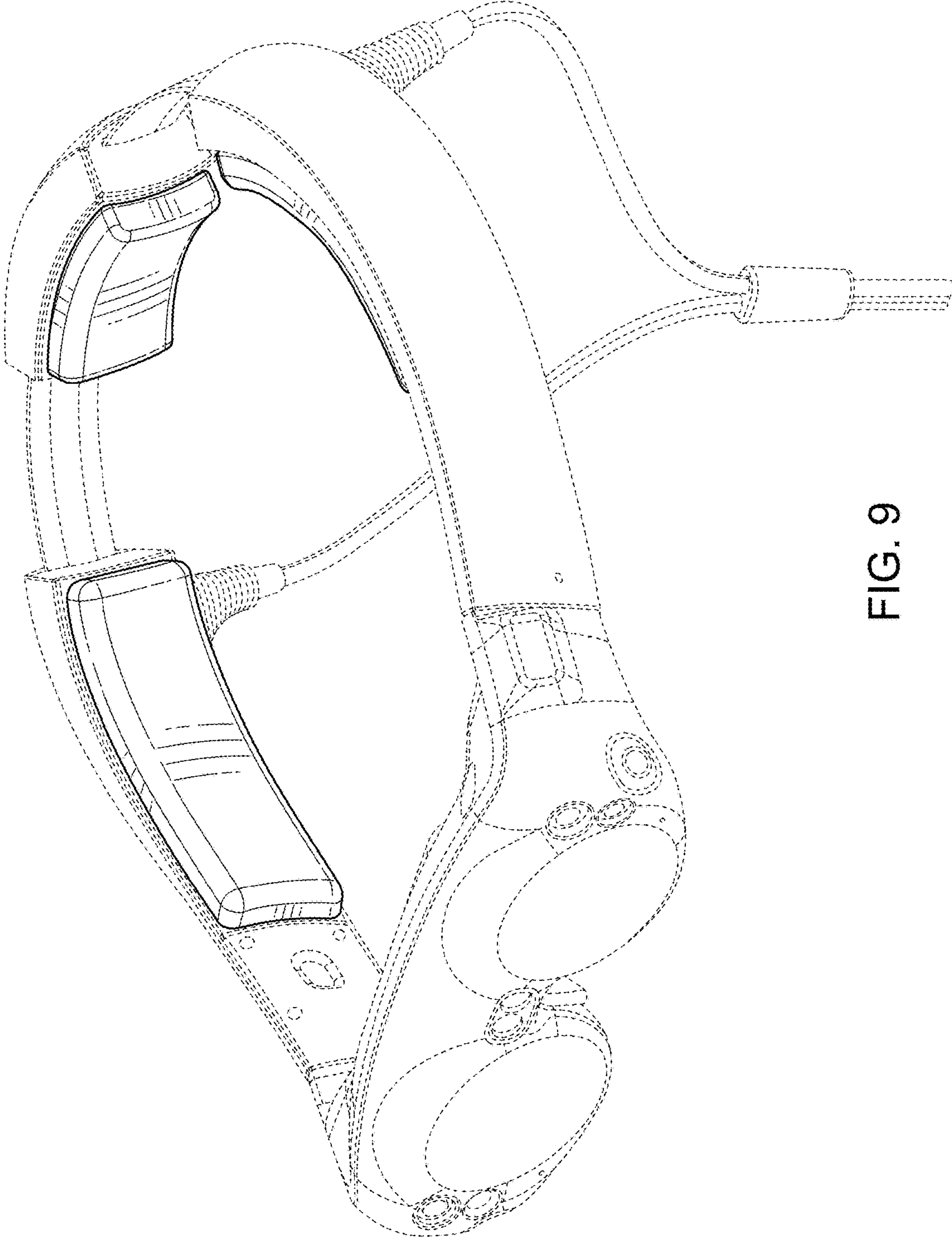


FIG. 9

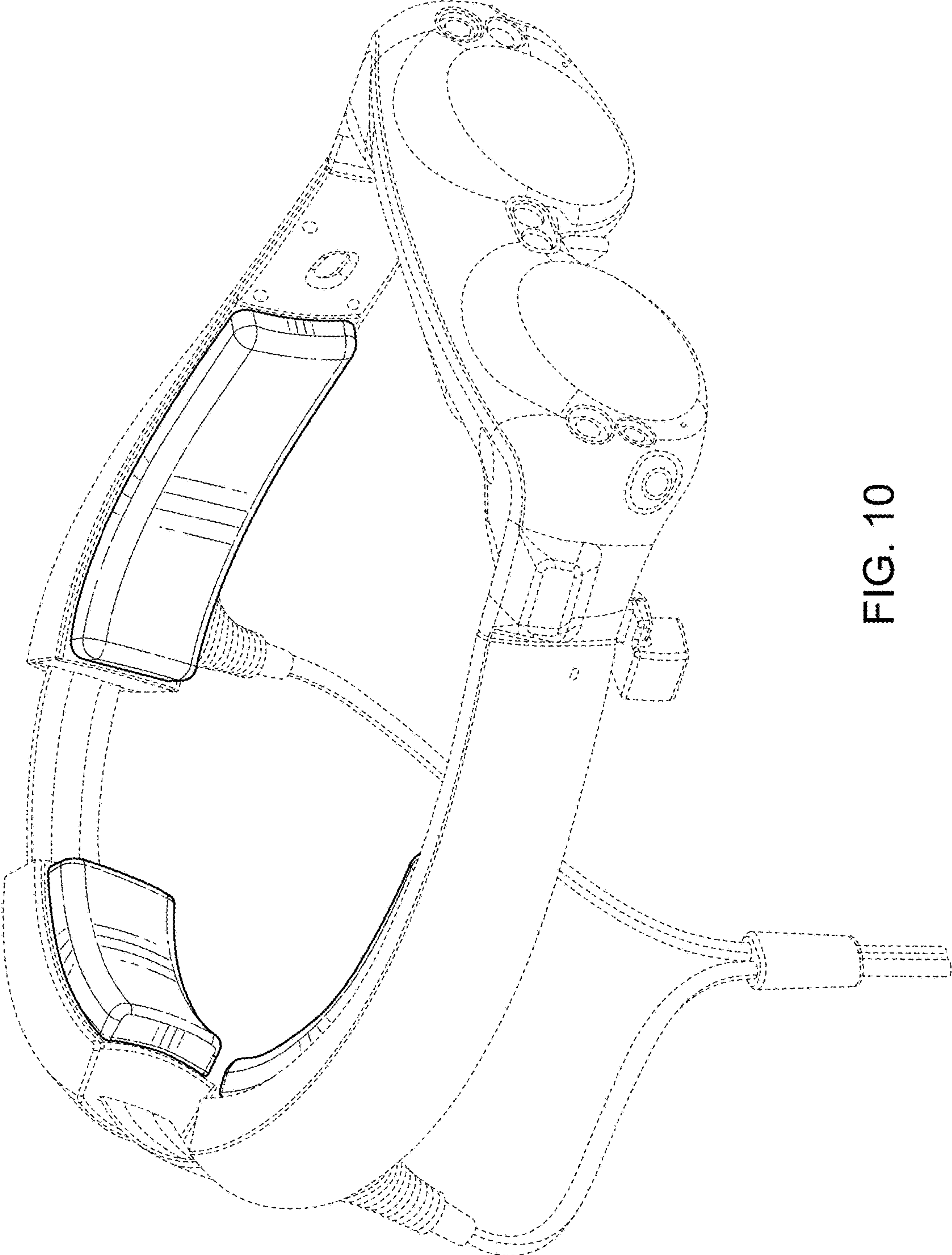


FIG. 10

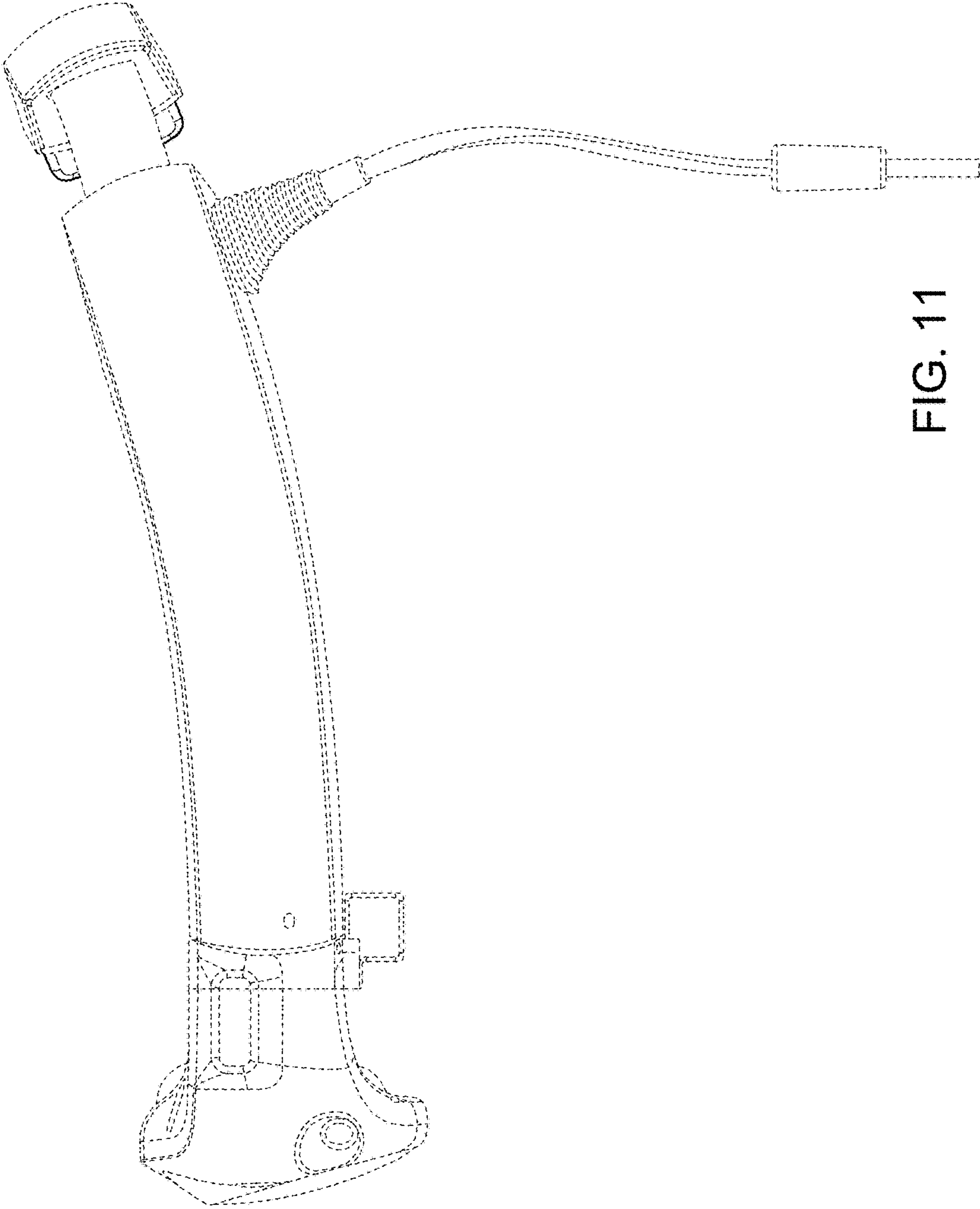


FIG. 11

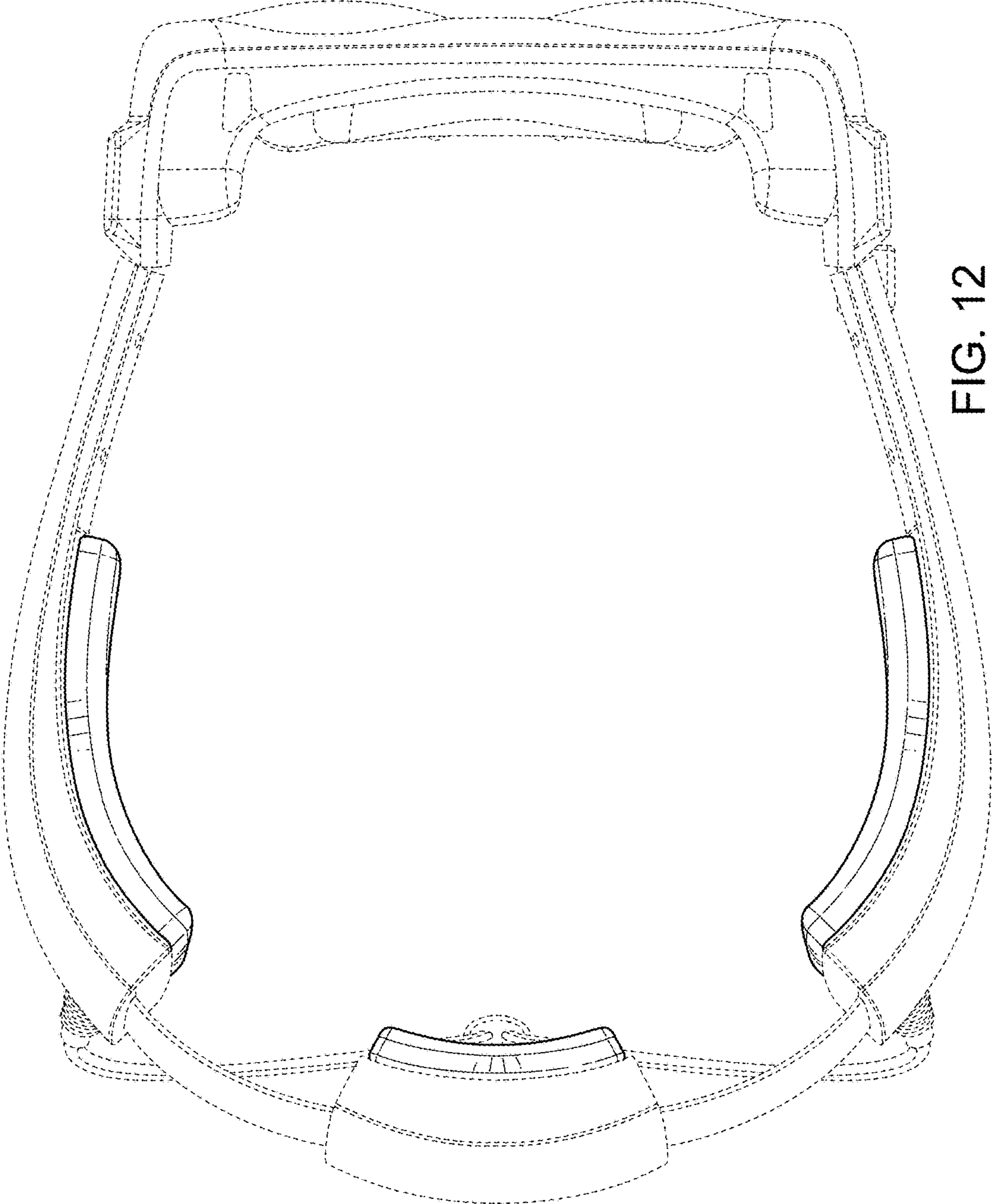


FIG. 12

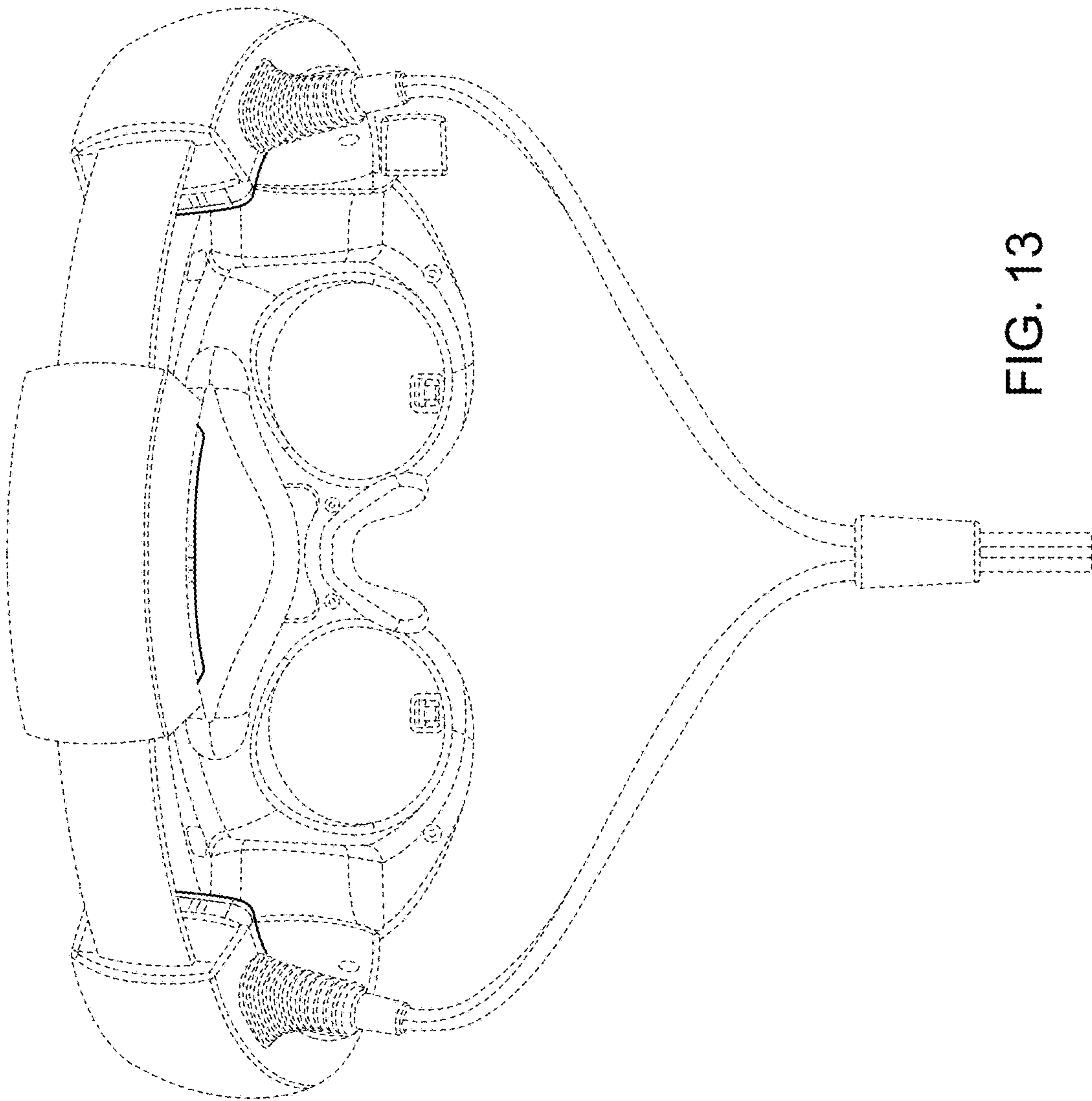


FIG. 13