



US00D836102S

(12) **United States Design Patent** (10) **Patent No.:** **US D836,102 S**
Akana et al. (45) **Date of Patent:** **** Dec. 18, 2018**

(54) **WEARABLE DEVICE**

(71) Applicant: **Apple Inc.**, Cupertino, CA (US)

(72) Inventors: **Jody Akana**, San Francisco, CA (US);
Bartley K. Andre, Palo Alto, CA (US);
Shota Aoyagi, San Francisco, CA (US);
Anthony Michael Ashcroft, San Francisco, CA (US);
Jeremy Bataillou, San Francisco, CA (US);
Daniel J. Coster, San Francisco, CA (US);
Daniele De Iuliis, San Francisco, CA (US);
M. Evans Hankey, San Francisco, CA (US);
Julian Hoenig, San Francisco, CA (US);
Richard P. Howarth, San Francisco, CA (US);
Jonathan P. Ive, San Francisco, CA (US);
Duncan Robert Kerr, San Francisco, CA (US);
Marc A. Newson, London (GB);
Matthew Dean Rohrbach, San Francisco, CA (US);
Peter Russell-Clarke, San Francisco, CA (US);
Benjamin Andrew Shaffer, San Jose, CA (US);
Mikael Silvanto, San Francisco, CA (US);
Christopher J. Stringer, Woodside, CA (US);
Eugene Antony Whang, San Francisco, CA (US);
Rico Zörkendörfer, San Francisco, CA (US)

(73) Assignee: **Apple Inc.**, Cupertino, CA (US)

(**) Term: **15 Years**

(21) Appl. No.: **29/629,981**

(22) Filed: **Dec. 18, 2017**

Related U.S. Application Data

(63) Continuation of application No. 29/583,415, filed on Nov. 4, 2016, now Pat. No. Des. 805,513, which is a continuation of application No. 29/519,678, filed on Mar. 6, 2015, now Pat. No. Des. 771,037, which is a continuation of application No. 29/499,081, filed on

Aug. 11, 2014, now Pat. No. Des. 771,035, and a continuation of application No. 29/499,081, filed on Aug. 11, 2014, now Pat. No. Des. 771,035.

(51) **LOC (11) Cl.** **14-02**

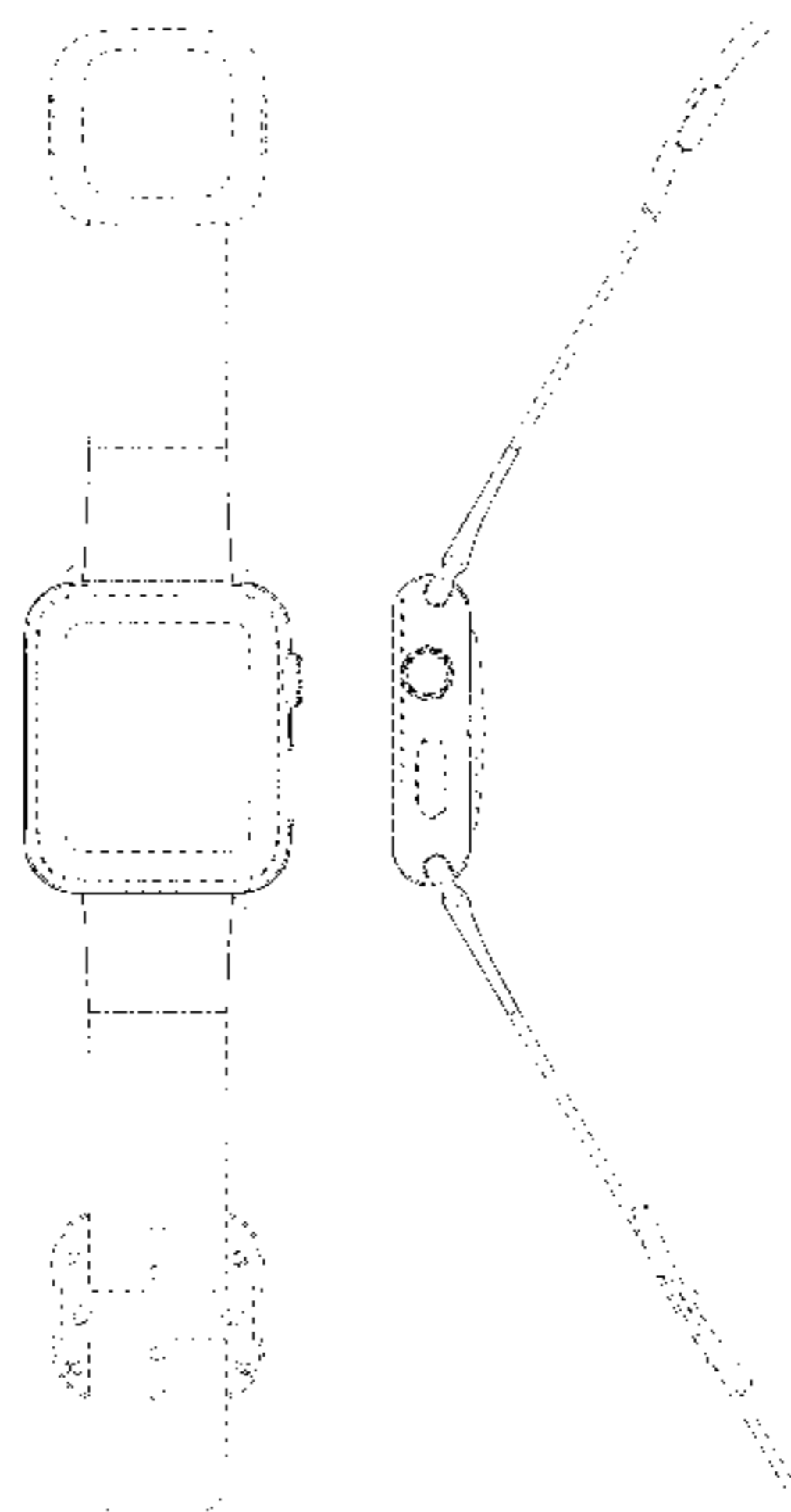
(52) **U.S. Cl.**
 USPC **D14/344**

(58) **Field of Classification Search**
 USPC .. D14/138 R, 144, 341, 344, 358, 388, 218;
 D10/30-39, 70, 98; D11/3, 4, 26, 93-94,
 D11/78.1, 79, 86; D24/167, 169,
 D24/186-187, 164
 CPC A41D 1/002; A41D 19/0034; G06F 1/04;
 G06F 1/08; G06F 1/10; G06F 1/14; G06F
 1/1626; G06F 1/1628; G06F 1/163; G06F
 1/1635; G06F 1/3203; G06Q 20/10;
 G06Q 20/12; G06Q 20/108; G06Q
 20/145; H04B 1/3833; H04B 1/385;
 H04B 1/3888; H04M 1/02; H04M 1/03;
 H04M 1/04; H04M 1/05; H04M 1/667;
 H04M 1/6058; Y02B 60/1217
 See application file for complete search history.

(56) **References Cited**

U.S. PATENT DOCUMENTS

1,712,564 A	5/1929	Jones
1,712,582 A	5/1929	Renz
1,738,407 A	12/1929	Tost
1,740,894 A	12/1929	Johnson
1,760,662 A	5/1930	Prestinari
1,764,440 A	6/1930	Gammell et al.
1,784,582 A	12/1930	Doppenschmitt
1,786,943 A	12/1930	Gammell
D152,491 S	1/1949	Osier
3,030,686 A	4/1962	Burkhardt
3,372,500 A	3/1968	Claude
3,640,065 A	2/1972	Lederrey et al.
3,665,565 A	5/1972	Kruger
3,675,284 A	7/1972	Rieth
3,914,933 A	10/1975	Carlone
3,994,126 A	11/1976	Rieth
D249,244 S	9/1978	Salter
4,125,920 A	11/1978	Grimes
D250,634 S	12/1978	Porsche
D251,829 S	5/1979	Sulek
D256,568 S	8/1980	Young
4,266,400 A	5/1981	Tabata



US D836,102 S

D269,254 S	6/1983	Kishimoto	D724,469 S	3/2015	Akana et al.
D287,471 S	12/1986	Sato et al.	D724,556 S	3/2015	Choi et al.
D287,705 S	1/1987	Malamoud	D727,197 S	4/2015	Akana et al.
4,681,461 A	7/1987	Gogniat	D727,198 S	4/2015	Akana et al.
D299,718 S	2/1989	Steer et al.	D727,199 S	4/2015	Akana et al.
D305,422 S	1/1990	Steer et al.	D727,787 S	4/2015	Akana et al.
D331,020 S	11/1992	Ishii et al.	D729,670 S	5/2015	Nuovo et al.
D333,626 S	3/1993	Chang	D731,346 S	6/2015	Akana et al.
D337,157 S	7/1993	Ortiz	D732,416 S	6/2015	Akana et al.
D337,158 S	7/1993	Summers	D736,664 S	8/2015	Paradise et al.
5,239,521 A	8/1993	Blonder	D737,156 S	8/2015	Akana et al.
D339,309 S	9/1993	Butler	D737,157 S	8/2015	Akana et al.
D349,864 S	8/1994	Dunlap et al.	D737,158 S	8/2015	Akana et al.
5,363,351 A	11/1994	Carney	D737,159 S *	8/2015	Akana D10/32
D355,375 S	2/1995	Bandy, II	D739,780 S	9/2015	Akana et al.
5,386,933 A	2/1995	Greene et al.	D741,726 S	10/2015	Akana et al.
5,441,686 A	8/1995	Jackl et al.	D744,356 S	12/2015	Akana et al.
D372,658 S	8/1996	Decursu et al.	D745,421 S	12/2015	Akana et al.
D408,301 S	4/1999	Porsche et al.	D746,707 S	1/2016	Akana et al.
D424,952 S	5/2000	Porsche et al.	D747,997 S	1/2016	Akana et al.
6,101,842 A	8/2000	Delacretaz	D748,008 S	1/2016	Akana et al.
D439,172 S	3/2001	Brzezinski	D748,009 S	1/2016	Akana et al.
6,198,698 B1	3/2001	Graves	D748,010 S	1/2016	Akana et al.
D455,093 S	4/2002	Fitzgerald	D748,527 S	2/2016	Akana et al.
D473,818 S	4/2003	Salvisberg	D749,009 S	2/2016	Akana et al.
6,655,831 B1	12/2003	Ruffieux	D749,460 S	2/2016	Akana et al.
D488,392 S	4/2004	Tschumi	D751,070 S	3/2016	Akana et al.
D494,098 S	8/2004	Cohen	D752,044 S	3/2016	Akana et al.
6,782,690 B2	8/2004	Kwan	D756,357 S	5/2016	Akana et al.
D496,589 S	9/2004	Perrenoud	D756,824 S	5/2016	Akana et al.
6,970,157 B2	11/2005	Siddeeq	D757,722 S	5/2016	Akana et al.
D513,195 S	12/2005	Gruosi	D757,819 S	5/2016	Akana et al.
7,004,469 B2	2/2006	Von Goeben	D758,363 S	6/2016	Akana et al.
7,013,631 B2	3/2006	Carrola	D759,011 S	6/2016	Akana et al.
D528,439 S	9/2006	Burton	D759,725 S	6/2016	Akana et al.
D528,928 S	9/2006	Burton	D760,716 S	7/2016	Akana et al.
7,106,197 B2	9/2006	Gaiotto et al.	D764,340 S	8/2016	Akana et al.
D536,265 S	2/2007	Reynoso	D769,869 S *	10/2016	Zhou D10/38
D538,687 S	3/2007	Komulainen	D771,035 S *	11/2016	Akana D14/344
D549,602 S	8/2007	Oberrieder et al.	D771,037 S *	11/2016	Akana D14/344
D550,105 S	9/2007	Oberrieder et al.	9,715,301 B2 *	7/2017	Kuboyama G06F 3/0414
D558,227 S	12/2007	Cho et al.	9,811,648 B2 *	11/2017	Choi G06F 21/32
D560,520 S	1/2008	Oberrieder et al.	D802,929 S	12/2017	Akana et al.
D569,282 S	5/2008	Daniel	D805,513 S *	12/2017	Akana D14/344
D572,266 S	7/2008	Anderson et al.	9,901,147 B1 *	2/2018	Karanikos H05K 999/99
D573,905 S	7/2008	Poirier	D816,522 S *	5/2018	Zhou D10/70
D574,735 S	8/2008	Landman et al.	10,019,097 B2 *	7/2018	Ely G06F 3/0414
D578,922 S	10/2008	Hoshino	10,020,668 B2 *	7/2018	Adamisin H02J 7/025
D581,811 S	12/2008	Messmer et al.	2005/0207284 A1	9/2005	Hiranuma et al.
D584,170 S	1/2009	Morrison	2005/0210857 A1	9/2005	Carrola
D586,823 S	2/2009	Anderson et al.	2010/0061191 A1	3/2010	Chen
D588,472 S	3/2009	Messmer et al.	2012/0168471 A1	7/2012	Wilson
D589,375 S	3/2009	Tang	2014/0096345 A1	4/2014	Tschumi
D589,376 S *	3/2009	Tang D10/32	2014/0098649 A1	4/2014	Tschumi
D596,610 S	7/2009	Hou	2016/0058375 A1 *	3/2016	Rothkopf G06F 1/1643 600/301
7,591,581 B2	9/2009	Lovegrove et al.	2017/0046451 A1	2/2017	Akana et al.
D610,476 S	2/2010	Daniel			
D616,417 S	5/2010	Liao			
7,708,457 B2	5/2010	Girardin et al.			
D631,761 S	2/2011	Barbier			
D637,094 S	5/2011	Cobbett et al.			
D637,918 S	5/2011	Cobbett et al.			
D642,074 S	7/2011	Chastaingt			
D645,360 S	9/2011	Kiser et al.			
D650,706 S	12/2011	Zanella et al.			
D666,503 S	9/2012	Bulgari			
D670,583 S	11/2012	Shaanan			
D671,015 S	11/2012	Monachon			
D672,667 S	12/2012	Mix			
D674,710 S	1/2013	Monachon			
D681,483 S	5/2013	Biegert et al.			
8,601,784 B2	12/2013	Kaltenrieder			
D699,701 S	2/2014	Kim			
D704,077 S	5/2014	Monachon			
D714,288 S	9/2014	Aumiller et al.			
D717,678 S	11/2014	Anderssen et al.			
D717,679 S	11/2014	Anderssen et al.			
D719,123 S	12/2014	Park et al.			
D720,630 S	1/2015	Nashimoto			

FOREIGN PATENT DOCUMENTS

CN	2613171 Y	4/2004
DE	10229050 C1	6/2003
EP	1098231 A1	5/2001
EP	1136010 B1	11/2003
EP	2636328 A1	9/2013
ES	001359301-0002	6/2013
GB	618917 A	3/1949
GB	2047514 A	12/1980
GB	2033807	3/1994
GB	2082277	6/1999
GB	2086601	11/1999
GB	2095450	12/2000
HK	0501949.8	12/2005
HK	1001605.7	12/2010
JP	D1038962	5/1999
JP	D1038963	5/1999
JP	D1088241	10/2000
JP	D1092722	12/2000
JP	D1095359	1/2001

JP	D1115866	7/2001
JP	D1126997	11/2001
JP	D1130391	1/2002
JP	D1194393	1/2004
JP	D1231469	2/2005
JP	D1350052	2/2009
JP	D1350493	2/2009
JP	5479052 B2	4/2014
KR	30-0298089	5/2002
KR	30-0476859	1/2008
KR	30-0476860	1/2008
WO	WO-9117679 A1	11/1991
WO	WO-DM/033704-002	9/1995
WO	WO-DM/041969-001	1/1998
WO	DM/047086-002	5/1999
WO	WO-DM/061681-002	10/2002
WO	WO-DM/063315-002	5/2003
WO	WO-DM/066491-004	3/2005
WO	WO-DM/068937-006	6/2007
WO	WO-DM/070624-004	10/2008
WO	WO-DM071101	12/2008
WO	WO-DM072215	9/2009
WO	WO-DM/074430-001	11/2010
WO	WO-DM/077452-004	6/2011
WO	WO-2013182397 A1	12/2013
WO	WO-2014135709 A2	9/2014

OTHER PUBLICATIONS

Alvarez, Edgar, "Basis Peak to get its smartwatch-like features in December," *engadget.com*, <<http://www.engadget.com/2014/11/20/basis-peak-new-features/>>, dated Nov. 20, 2014, accessed Dec. 15, 2014.

Cool Material, "Braun Square Digital Watch," <<http://web.archive.org/web/20111125033014/http://coolmaterial.com/style/braun-square-digital-watch/>>, dated Nov. 25, 2011, accessed Dec. 18, 2014.

Emily, "Nixon—The Newton Digital," <<http://www.freshnessmag.com/2009/09/08/nixon-the-newton-digital/>>, *freshnessmag.com*, dated Sep. 8, 2009, accessed Oct. 9, 2014.

Fitbit, "Fitbit Surge™ Fitness Super Watch" <<https://www.fitbit.com/surge/>>, accessed Dec. 15, 2014.

geekbuying.com, "Makibes unisex red led digital wrist watch with square case silicone watchband—white," <<http://www.geekbuying.com/item/Unisex-Red-LED-Digital-Wrist-Watch-with-Square-Case-Silicone-Watchband---White-326443.html>>, accessed Oct. 9, 2014.

Haedges, "1 Set Silver End Cap Clasp—Findings Large Toggle Clasp End Caps Buckle Connector with Five Inside Loops for Jewelry Making 26mm," <<http://www.etsy.com/listing/101269004/1-set-silver-end-cap-clasp-findings?ref=market>>, Listed on Aug. 29, 2014, accessed Oct. 9, 2014.

Hodinkee.com, "Apple iPod Nano Now Available With Mickey Mouse Dial, Also Cheesy, Mechanically Inaccurate Open-Worked Dial," <<http://web.archive.org/web/20111006043916/http://www.hodinkee.com/blog/2011/10/5/apple-ipod-nano-now-available-with-mickey-mouse-dial-also-ch.html>>, dated Oct. 6, 2011, accessed Dec. 18, 2014.

Homego, "M6 Silver Smart Watch Cell Phone 1.54 inch Bluetooth 3.0 Dialer Outdoor Sports Pedometer," *amazon.com*, <<http://www.amazon.com/Silver-Bluetooth-Dialer-Outdoor-Pedometer/dp/B00MQTBGK6>>, accessed Dec. 15, 2014.

Ikepod, "Original Ikepod Watch With GMT—Marc Newson Design," *Watchbox.be*, <<http://www.watchbox.be/prod/Others-Watches/Marc%20Newson%20Design/item7165.htm#.VJLm2fAo5D8>>, accessed Dec. 17, 2014.

"Innovative Components Knurled Knob K4 Master," posted at *knobsources.com/catalog_prints.html*, Posting date unknown, Drawing dated Nov. 27, 2007. Available from Internet: <<http://www.knobsources.com/pdf/k4-masterrev-0.pdf>>. Retrieved Oct. 10, 2017.

Ipod Nano Watch Band Metal, <<http://trend-kid.com/ipod-nano-watch-band-orange.htm>>, accessed Dec. 5, 2014.

LG Life's Good, "LG G Watch (W100)," <<http://www.lg.com/us/smart-watches/lg-W100-g-watch>>, accessed Dec. 18, 2014.

"Louis Moinet Geograph," posted at *worldwatchreview.com*, dated Mar. 14, 2011. Available from Internet: <<http://www.worldwatchreview.com/2011/03/14/louis-moinet-geograph-limited-edition/>>. Retrieved Oct. 10, 2017.

Metawatch, "Frame—Black (MW3005)," <<http://meta.watch/collections/smartwatch-all/products/frame-ss-black-leather>>, accessed Dec. 15, 2014.

Omate, "Omate TrueSmart: Water-resistant standalone Smartwatch 2.0," <<http://www.kickstarter.com/projects/omate/omate-truesmart-water-resistant-standalone-smartwa>>, dated Aug. 21, 2013, accessed Oct. 8, 2014.

[Online] <http://i1-news.softpedia-static.com/images/news2/The-Chips-for-Apple-s-Smartwatch-Are-Entering-Production-464937-2.jpg> Retrieved on Feb. 17, 2015.

Pebble, "Pebble Smartwatch," *getpebble.com*, <<https://getpebble.com/checkout>>, accessed Dec. 15, 2014.

Samsung, "Samsung Gear™ 2 Charcoal Black SM-R3800VSAXAR," <<http://www.samsung.com/us/mobile/wearable-tech/SM-R3800VSAXAR>>, accessed Dec. 15, 2014.

Samsung, "Samsung Gear S™, (Sprint), Black SM-R750PZKASPR," <<http://www.samsung.com/us/mobile/wearable-tech/SM-R750PZKASPR>>, accessed Dec. 15, 2014.

Samsung, "Galaxy Gear™ Live, Black SM-R3820ZKAXAR," <<http://www.samsung.com/us/mobile/wearable-tech/SM-R3820ZKAXAR>>, accessed Dec. 15, 2014.

Sony, "SmartWatch," <<http://www.sonymobile.com/us/products/accessories/smartwatch/>>, accessed Dec. 15, 2014.

Sony, "SmartWatch 3 SWR50," <<http://www.sonymobile.com/us/products/smartwear/smartwatch-3-swr50/>>, accessed Dec. 15, 2014.

Stables, James, "Clevercare smartwatch aims to help Alzheimer's suffers and carers: Revamped Sony SmartWatch 2 designed for users that need care," *Wearable News*, <<http://www.wearable.com/wearable-tech/clevercare-smartwatch-aims-to-help-alzheimers-suffers-and-carers-585>>, dated Dec. 15, 2014.

Suunto D6 Replacement Stainless Metal Watch Band Bracelet SS013525000 w/ Free Shipping and Handling, <<http://www.opticsplanet.com/suunto-d6-replacement-stainless-bracelet.html>>, accessed Dec. 5, 2014.

Ted Baker, "Ted Baker Men's TE1054 Time Flies Contemporary Square Digital Case Watch," <<http://www.amazon.com/Ted-Baker-TE1054-Contemporary-Digital/dp/B0045CRTYO%3FSubscriptionId%3DAKIAJ3U4YRIBWCGGKZ2A%26tag%3Dfrases365-20%26linkCode%3Dsp1%26camp%3D2025%26creative%3D165953%26creativeASIN%3DB0045CRTYO>>, accessed Oct. 9, 2014.

Thomas Ricker, "Nike's Amp+ watch: hearts your heart and iPod, too," Oct. 5, 2007, <<http://www.engadget.com/2007/10/05/nikes-amp-watch-hearts-your-heart-and-ipod-too/>>, accessed Dec. 17, 2014.

Twist-O-Flex Radial (16-21mm, Stainless Steel), <<http://www.thewatchprince.com/Speidel-Twist-O-Flex-Expansion-Radial-Stainless>>, accessed Dec. 5, 2014.

Velazco, Chris, "ASUS ZenWatch review: subtle and stylish, with a few shortcomings," *Engadget.com*, <<http://www.engadget.com/2014/12/11/asus-zenwatch-review/>>, dated Dec. 11, 2014, accessed Dec. 15, 2014.

Watches Infoniac.com, "Hermes Carre H Watch—Extremely Contemporary Design," <<http://watches.infoniac.com/carre-h-watch-hermes.html>>, dated Aug. 13, 2010, accessed Dec. 18, 2014.

Watchismo, "Braun BN0042 Black Date Leather," <<http://web.archive.org/web/20130815073830/http://www.watchismo.com/braun-bn0042bkbk.aspx>>, dated Aug. 15, 2013, accessed Dec. 18, 2014.

Ornate, "The TrueSmart™ is the world's first standalone smartwatch 2.0 running on top of Android and OUI 2.0," <<http://www.ornate.com/product.html>>, accessed Dec. 15, 2014.

* cited by examiner

Primary Examiner — Barbara Fox

Assistant Examiner — Kristin E Reed

(74) *Attorney, Agent, or Firm* — Sterne, Kessler,
Goldstein & Fox P.L.L.C.

(57) **CLAIM**

The ornamental design for a wearable device, as shown and described.

DESCRIPTION

FIG. 1 is a front view of a wearable device showing the claimed design;

FIG. 2 is a rear view thereof;

FIG. 3 is a right side view thereof;

FIG. 4 is a left side view thereof;

FIG. 5 is a top view thereof; and,

FIG. 6 is a bottom view thereof.

The dashed broken lines in the figures show portions of the wearable device that form no part of the claimed design. The dot-dash broken lines in the figures show boundaries that form no part of the claimed design.

1 Claim, 4 Drawing Sheets

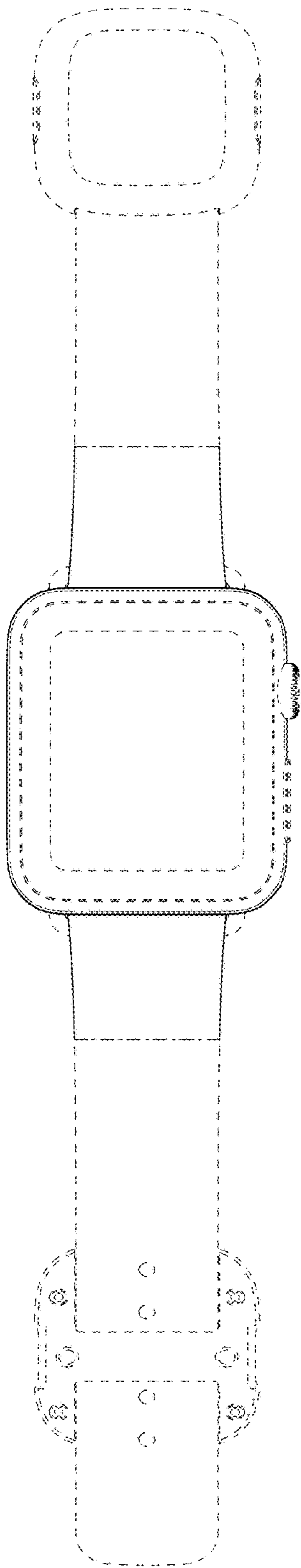


FIG. 1

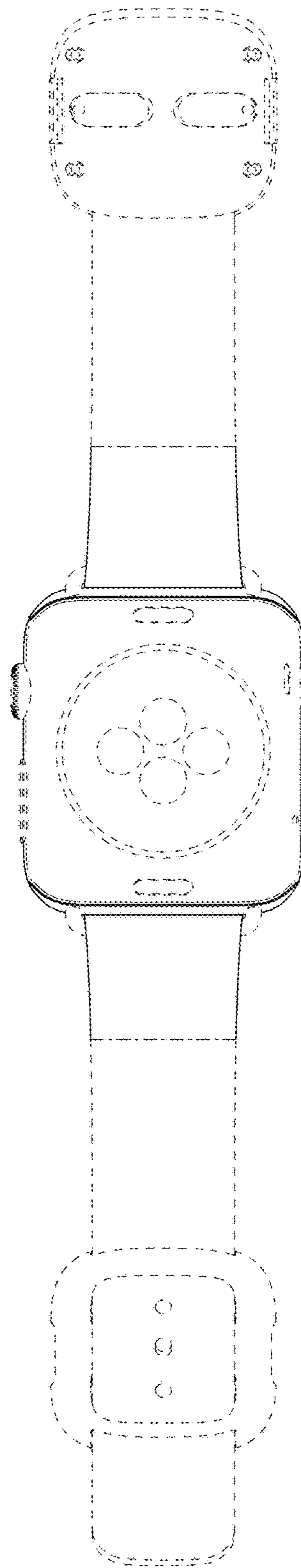
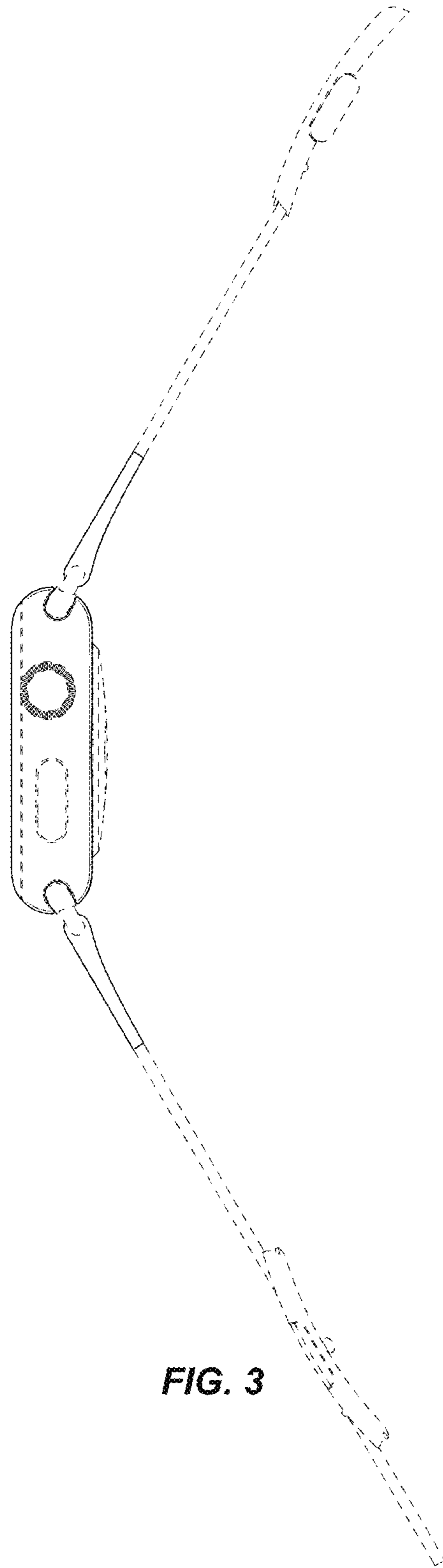
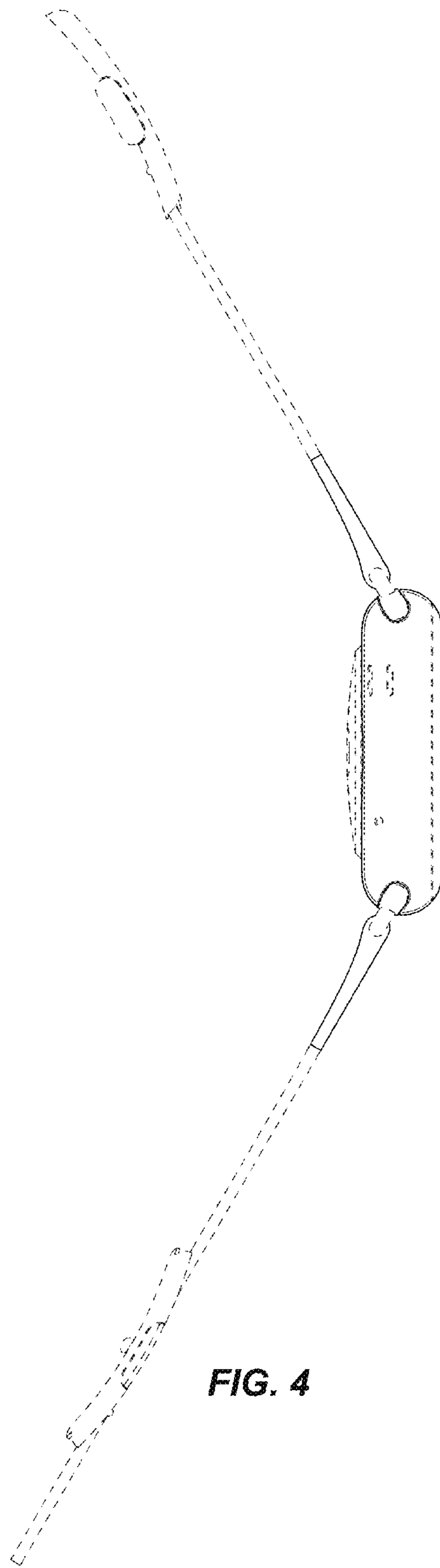


FIG. 2





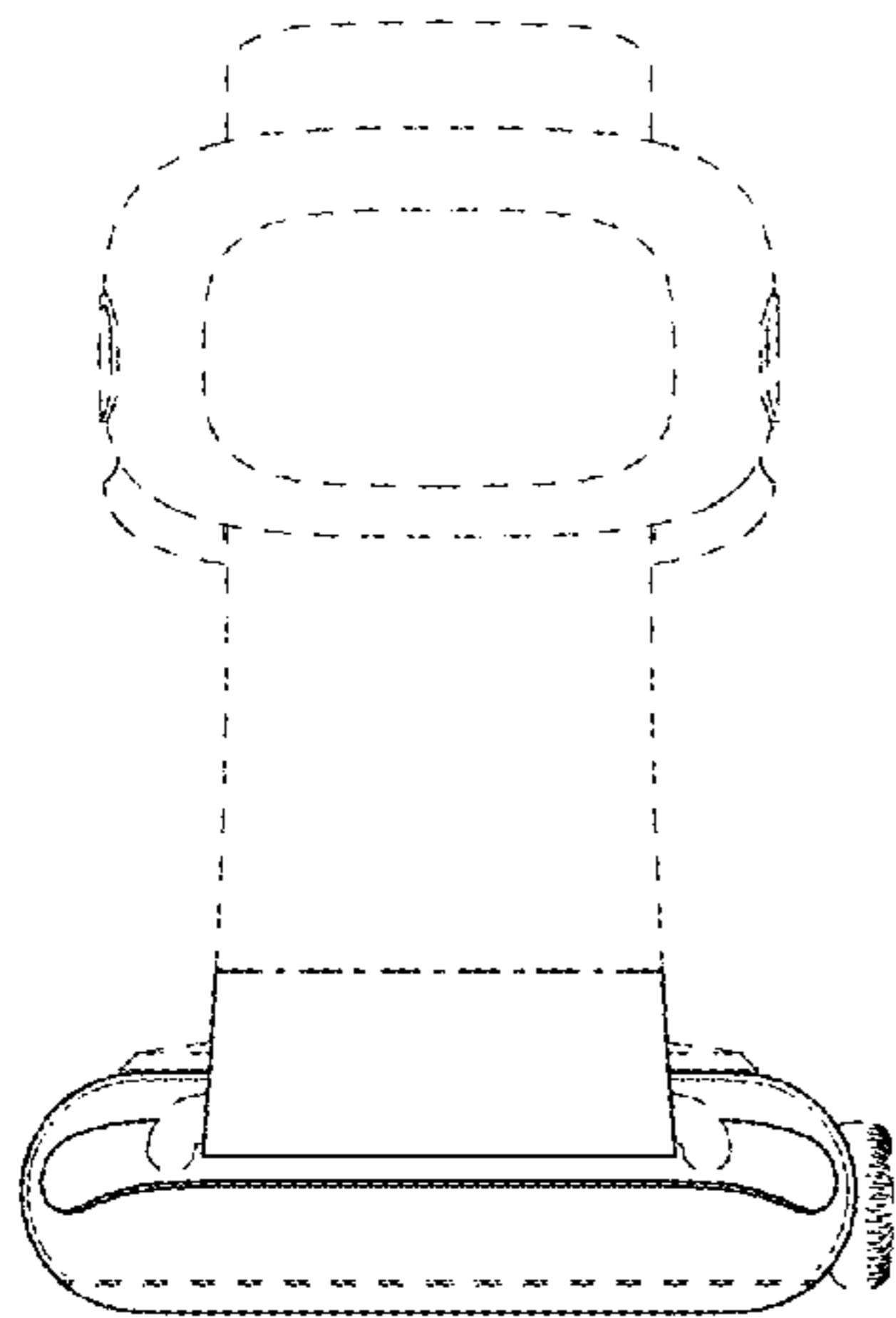


FIG. 5

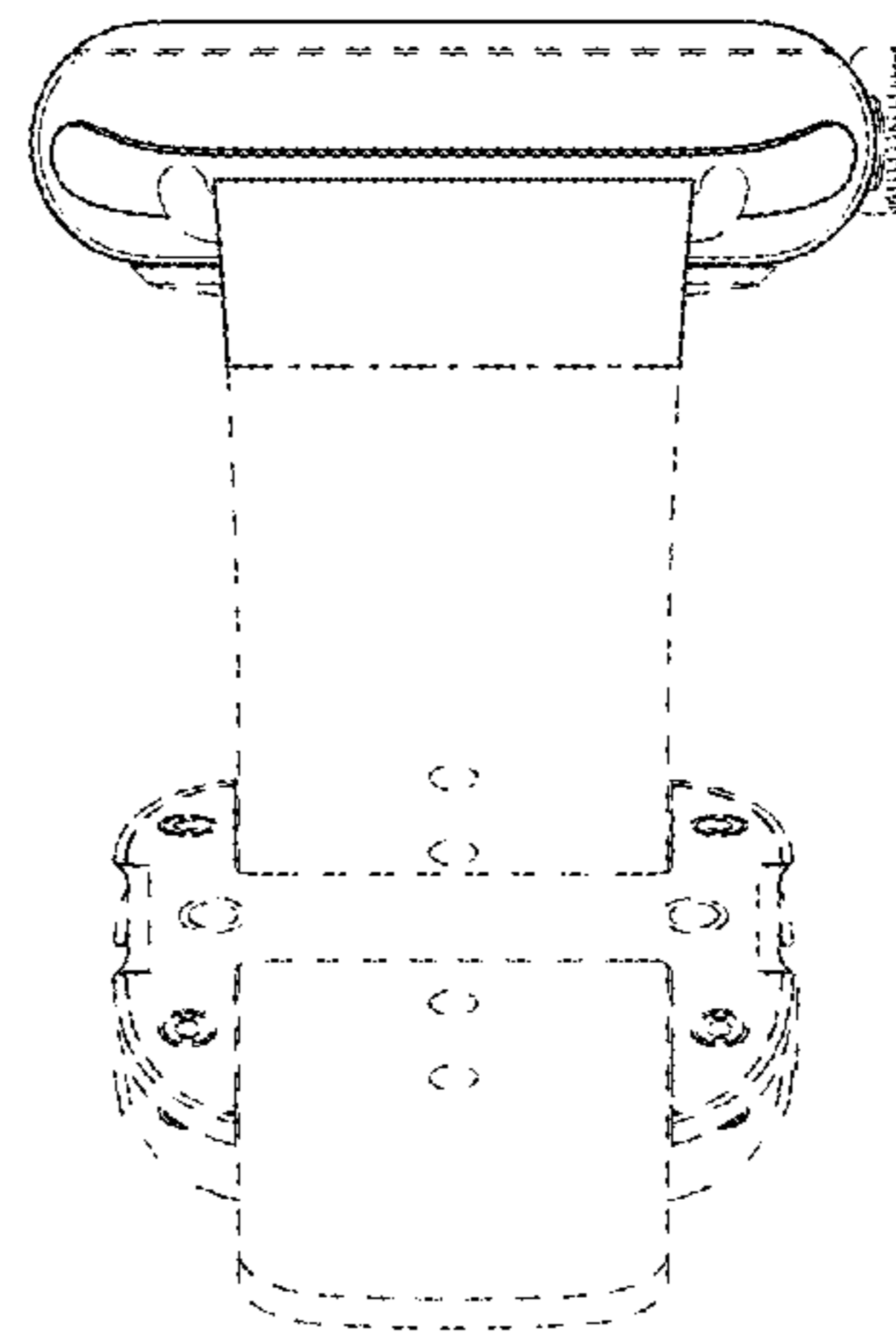


FIG. 6