



US00D836101S

(12) **United States Design Patent** (10) **Patent No.:** **US D836,101 S**
Bang et al. (45) **Date of Patent:** **** Dec. 18, 2018**

(54) **ELECTRONIC DEVICE**

FOREIGN PATENT DOCUMENTS

(71) Applicant: **Samsung Electronics Co., Ltd.**,
Suwon-si (KR)

TW D158667 S 2/2014

(72) Inventors: **Yongseok Bang**, Yongin-si (KR); **Miri Lee**, Namyangju-si (KR); **In Sik Chung**, Seoul (KR); **Jaehyung Hong**, Seoul (KR)

OTHER PUBLICATIONS

Google's smartwatches get one critical thing wrong, posted Oct. 1, 2017, [retrieved Nov. 28, 2017], Retrieved from Internet, <URL: <http://www.businessinsider.com/android-wear-notifications-are-bad-on-smartwatches-2015-9>>.

(73) Assignee: **SAMSUNG ELECTRONICS CO., LTD.**, Suwon-si (KR)

(Continued)

(**) Term: **15 Years**

Primary Examiner — Barbara Fox

Assistant Examiner — Kristin E Reed

(21) Appl. No.: **29/627,871**

(74) *Attorney, Agent, or Firm* — McAndrews Held & Malloy, Ltd.

(22) Filed: **Nov. 30, 2017**

(57) **CLAIM**

Related U.S. Application Data

The ornamental design for an electronic device, as shown and described.

(63) Continuation of application No. 29/542,451, filed on Oct. 14, 2015, now Pat. No. Des. 807,352.

DESCRIPTION

(30) **Foreign Application Priority Data**

Aug. 13, 2015 (KR) 30-2015-0041028

(51) **LOC (11) Cl.** **14-02**

(52) **U.S. Cl.**
USPC **D14/344**

(58) **Field of Classification Search**
USPC .. D14/138 R, 144, 341, 344, 358, 388, 218;
D10/30-39, 70, 98; D11/3, 4, 26, 93-94,
(Continued)

FIG. 1 is a front perspective view of an electronic device showing our new design;
FIG. 2 is a front elevation view thereof;
FIG. 3 is a rear elevation view thereof;
FIG. 4 is a left side elevation view thereof;
FIG. 5 is a right side elevation view thereof;
FIG. 6 is a top plan view thereof;
FIG. 7 is a bottom plan view thereof;
FIG. 8 is a rear perspective view thereof; and,
FIG. 9 is a front perspective view thereof, in which a wristband in dashed broken lines is provided to depict an example environment.

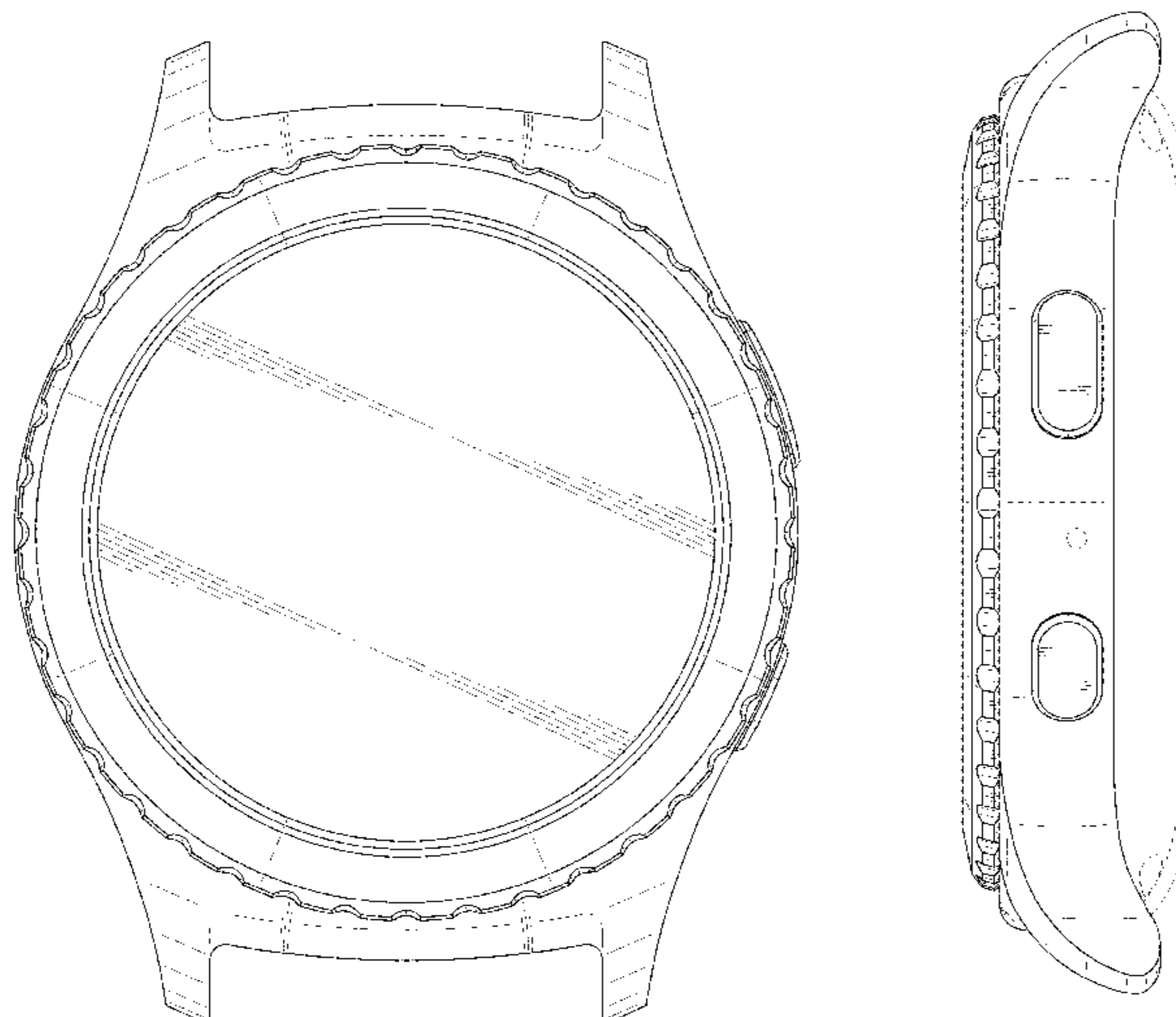
(56) **References Cited**

U.S. PATENT DOCUMENTS

D336,440 S 6/1993 Favre
D416,498 S 11/1999 Blondin
(Continued)

The dashed broken lines, showing portions of the electronic device in the figures and the wristband in FIG. 9, form no part of the claimed design.

1 Claim, 9 Drawing Sheets



(58) **Field of Classification Search**

USPC D11/78.1, 79, 86; D24/167, 169,
D24/186-187, 164
CPC A41D 1/002; A41D 19/0034; G06F 1/04;
G06F 1/08; G06F 1/10; G06F 1/14; G06F
1/1626; G06F 1/1628; G06F 1/163; G06F
1/1635; G06F 1/3203; G06Q 20/10;
G06Q 20/12; G06Q 20/108; G06Q
20/145; H04B 1/3833; H04B 1/385;
H04B 1/3888; H04M 1/02; H04M 1/03;
H04M 1/04; H04M 1/05; H04M 1/667;
H04M 1/6058; Y02B 60/1217

See application file for complete search history.

(56) **References Cited**

U.S. PATENT DOCUMENTS

D490,722 S 6/2004 Weismann
D536,994 S * 2/2007 Sugisawa D10/31
D541,675 S 5/2007 Ruchonnet
D579,350 S 10/2008 Calvani
7,639,568 B2 * 12/2009 Lin G04B 19/223
368/22

D730,201 S 5/2015 Giannini
D760,096 S 6/2016 Lutgen
D762,490 S * 8/2016 Tonohori D10/126
D801,195 S * 10/2017 Monachon D10/30
D803,210 S * 11/2017 Bang D14/344
D807,352 S * 1/2018 Bang D14/344
D812,051 S * 3/2018 Park D14/344
D815,547 S * 4/2018 Plange D10/30
D817,952 S * 5/2018 Choi D14/344
D817,953 S * 5/2018 Choi D14/344
D821,893 S * 7/2018 Nussbaum D10/38

OTHER PUBLICATIONS

Alcatel One Touch's new device family has a pretty tempting smartwatch, posted Sep. 4, 2014, [retrieved Nov. 28, 2017], Retrieved from Internet, <URL: <https://www.engadget.com/2014/09/04/alcatel-hero-2-hero-8-smartwatch/> >.

Thread: What can you tell me about Rip Curl watches?, posted Sep. 30, 2012, [retrieved Nov. 28, 2017], Retrieved from Internet, <URL: <http://forums.watchuseek.com/f71/what-can-you-tell-me-about-rip-curl-watches-755833.html> >.

* cited by examiner

FIG. 1

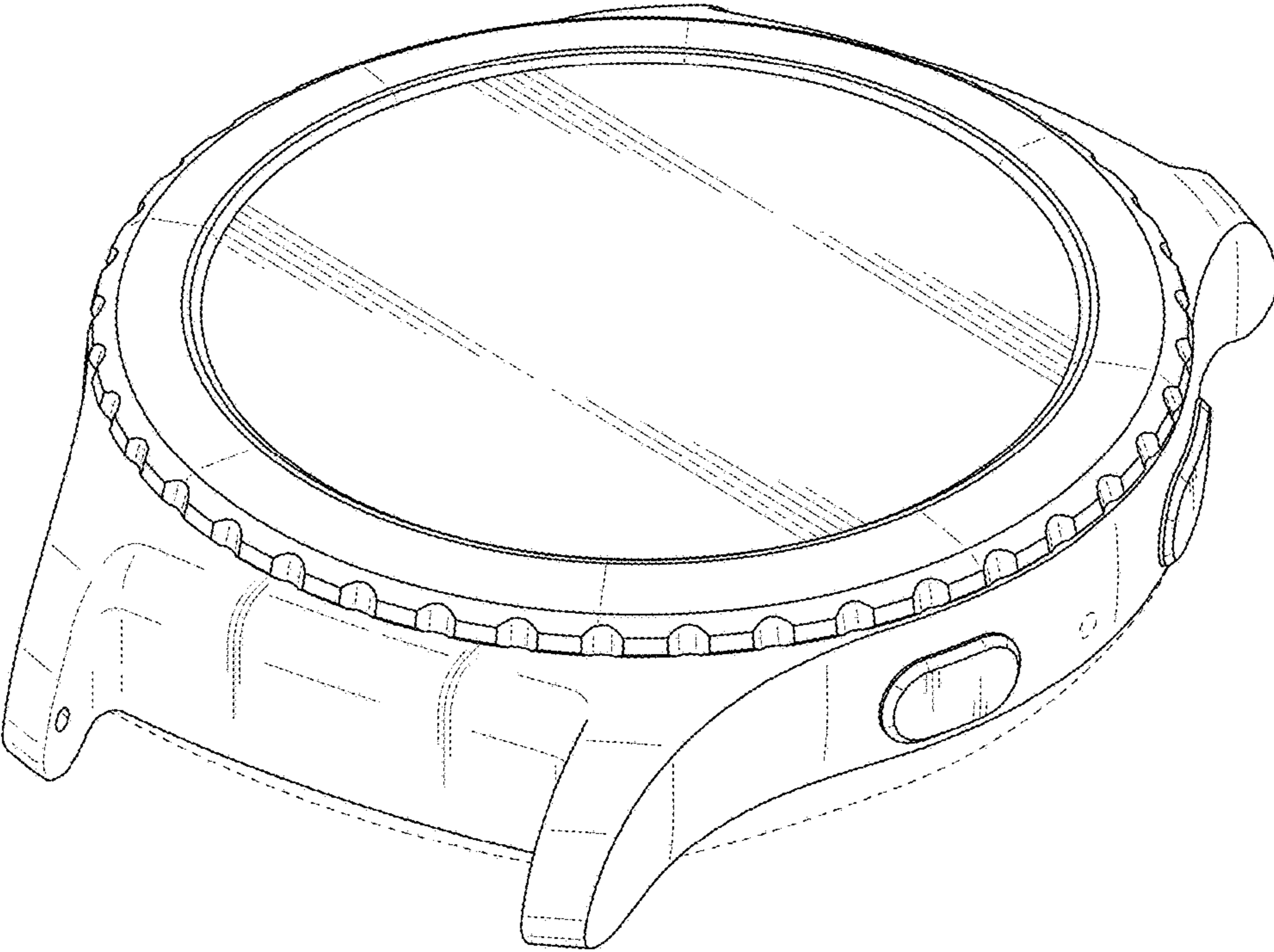


FIG. 2

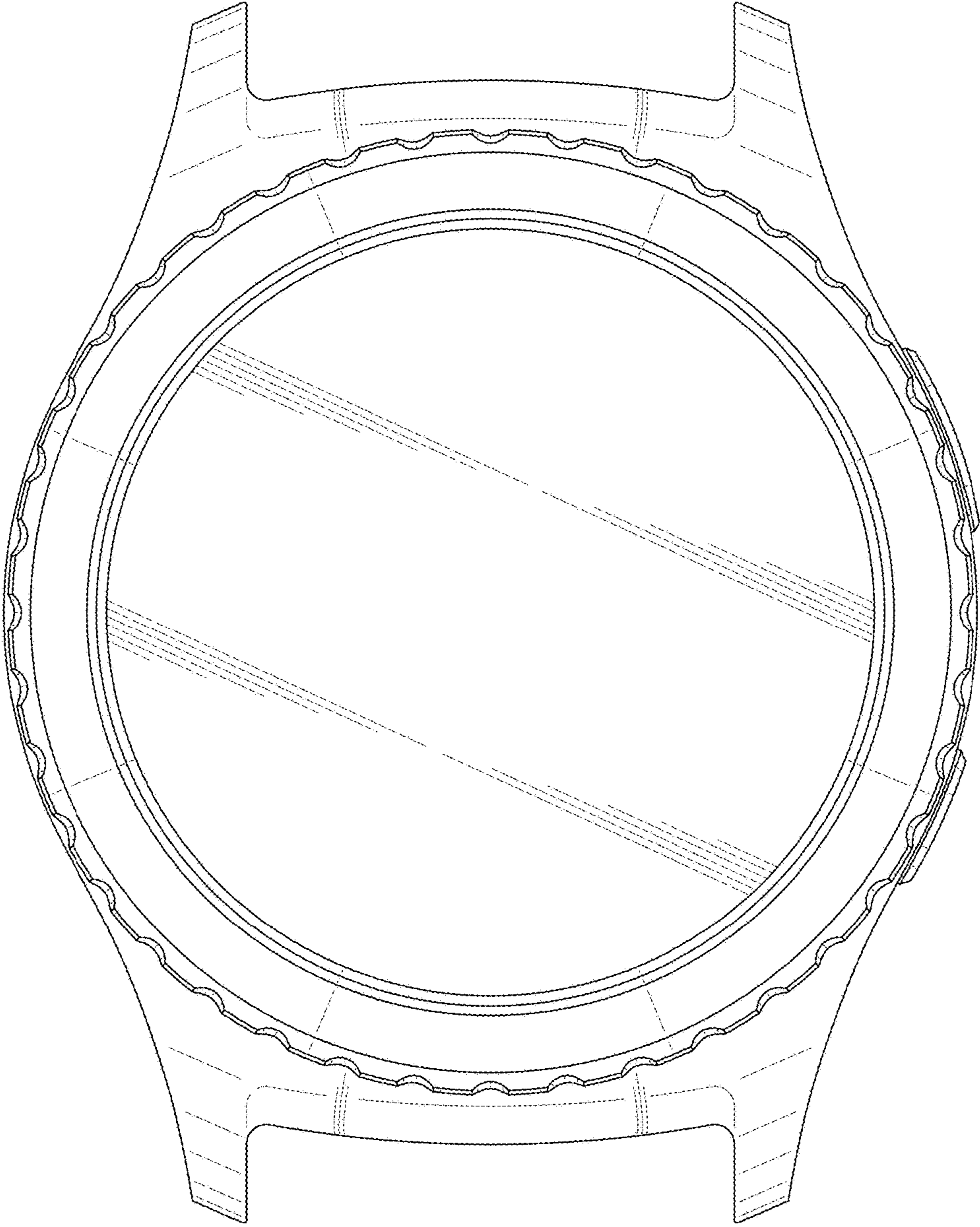


FIG. 3

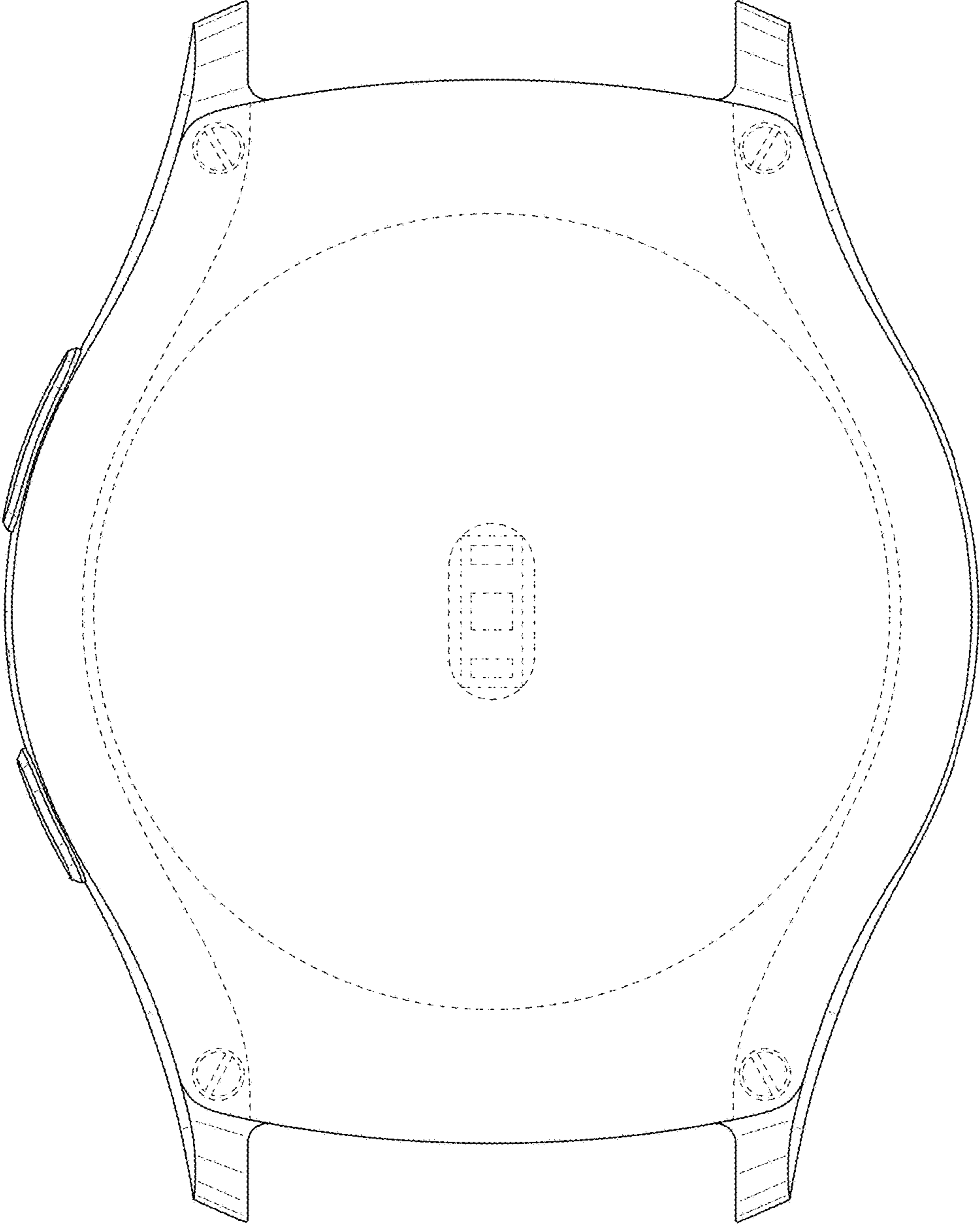


FIG. 4

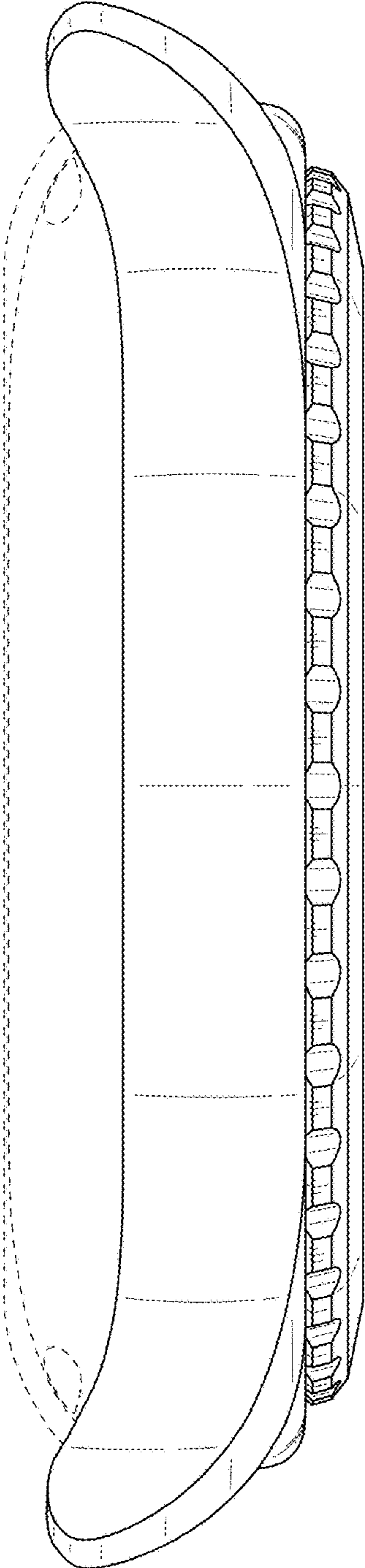


FIG. 5

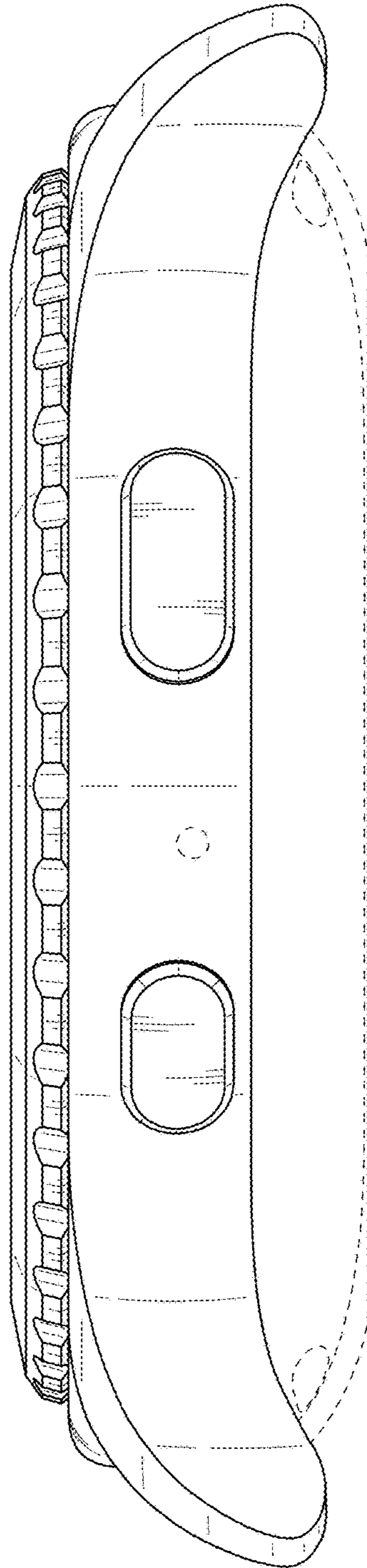


FIG. 6

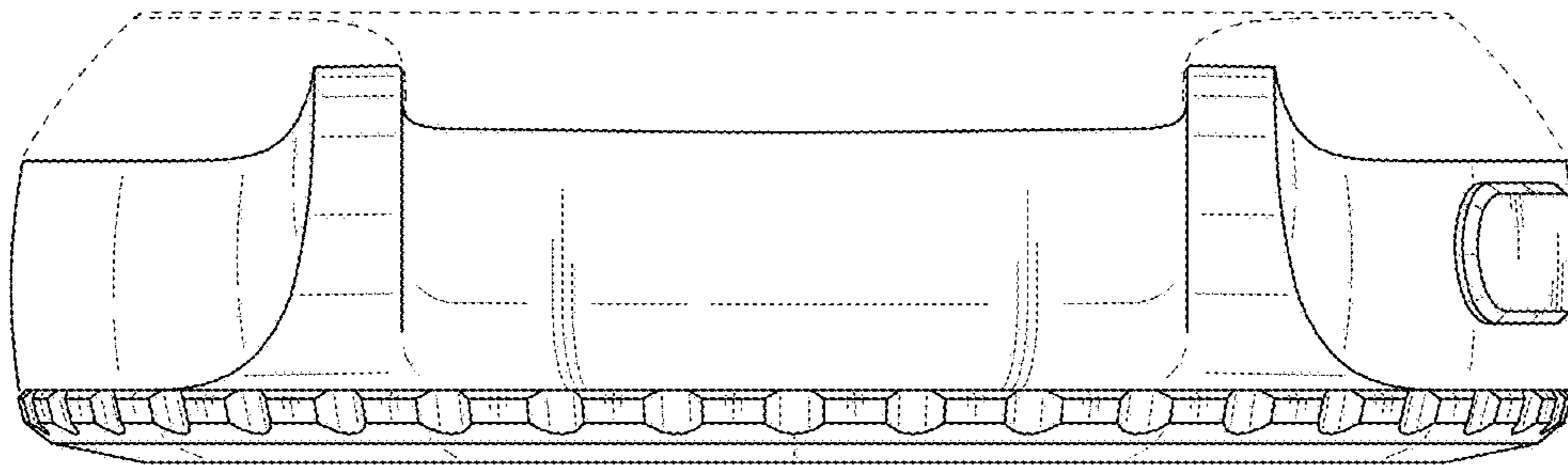


FIG. 7

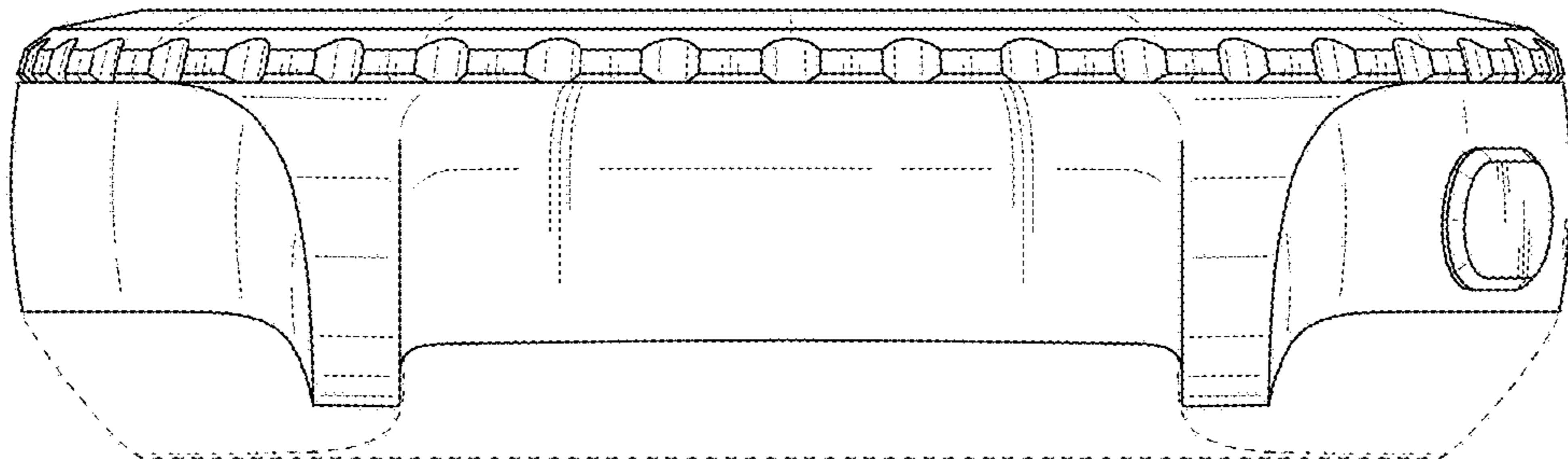


FIG. 8

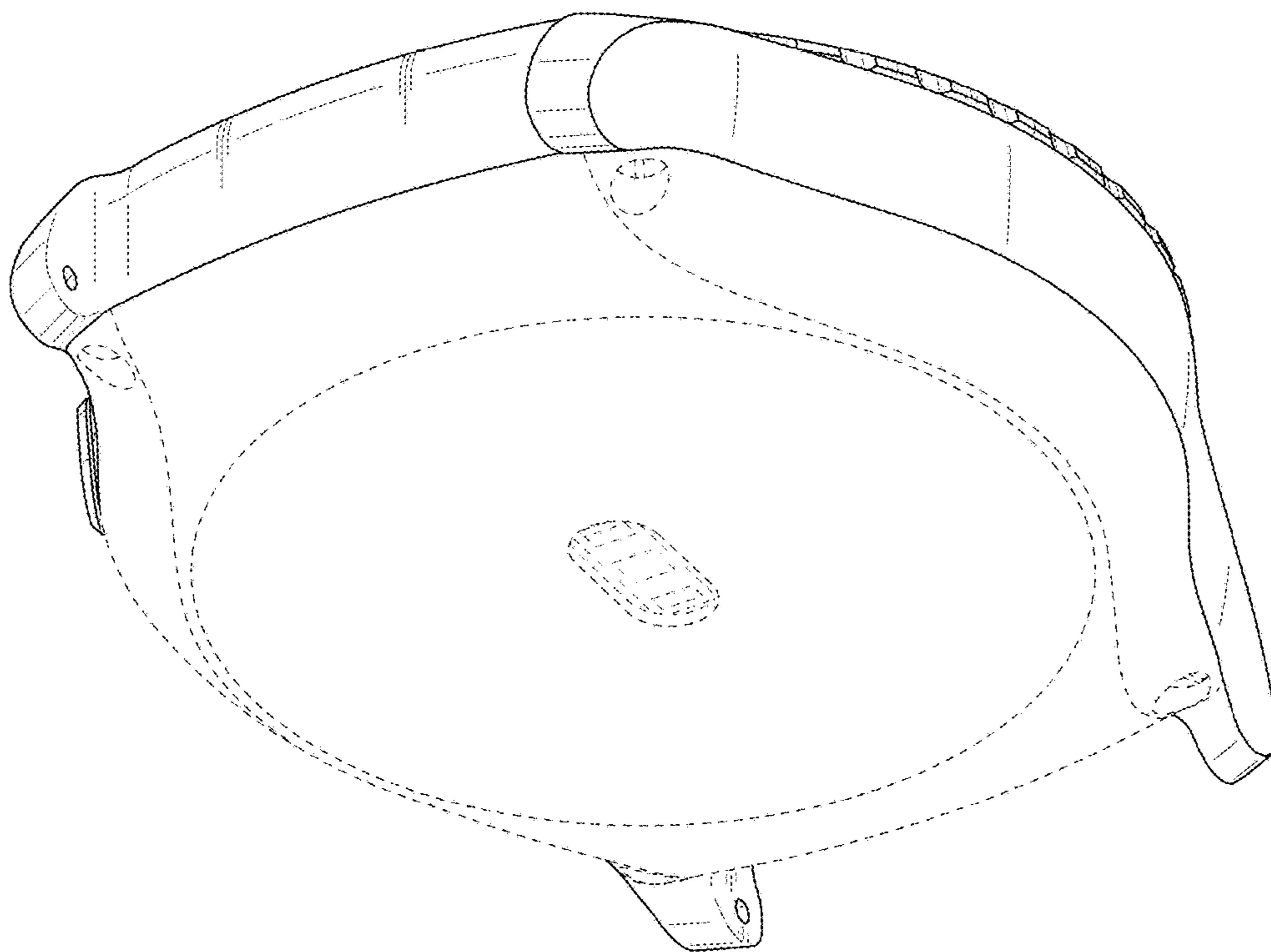


FIG. 9

