



US00D836098S

(12) **United States Design Patent**
Väänänen

(10) **Patent No.:** **US D836,098 S**

(45) **Date of Patent:** **** Dec. 18, 2018**

(54) **FEEDBACK STATION WITH A BACKBOARD**

(71) Applicant: **HappyOrNot Oy**, Tampere (FI)

(72) Inventor: **Heikki Väänänen**, Tampere (FI)

(73) Assignee: **HAPPYORNOT OY**, Tampere (FI)

(**) Term: **15 Years**

(21) Appl. No.: **29/627,661**

(22) Filed: **Nov. 29, 2017**

(30) **Foreign Application Priority Data**

Jul. 21, 2017 (EM) 004115137-0001

(51) **LOC (11) Cl.** **14-02**

(52) **U.S. Cl.**
USPC **D14/307**

(58) **Field of Classification Search**
USPC D14/167, 154, 168, 188, 496, 156, 160,
D14/161, 162, 163, 164, 165, 158, 253,
D14/192, 159, 155, 138 AB, 137, 104.1,
D14/307; 455/351, 350, 353; D10/104,
D10/106, 65, 78; 340/573.4, 573.1
CPC G08B 13/1672; G08B 13/19645; G08B
25/006; H04M 11/04

See application file for complete search history.

(56) **References Cited**

U.S. PATENT DOCUMENTS

D550,663 S * 9/2007 Olea D14/302
D587,699 S * 3/2009 Corti D14/307

D628,742 S * 12/2010 Hsu D14/307
D661,291 S * 6/2012 Renukanand D14/307
D698,777 S * 2/2014 Vaananen D14/307
D721,696 S * 1/2015 Birgeoglu D14/307
D722,313 S * 2/2015 Birgeoglu D14/307
D723,025 S * 2/2015 Birgeoglu D14/307
D723,026 S * 2/2015 Birgeoglu D14/307
D734,315 S * 7/2015 Masuda D14/307
D788,098 S * 5/2017 Thornton D14/307
D792,388 S * 7/2017 Taylor D14/307
D795,242 S * 8/2017 Birgeoglu D14/307
D795,858 S * 8/2017 Iulita D14/307

* cited by examiner

Primary Examiner — Austin Murphy

(74) *Attorney, Agent, or Firm* — Jacobson Holman, PLLC.

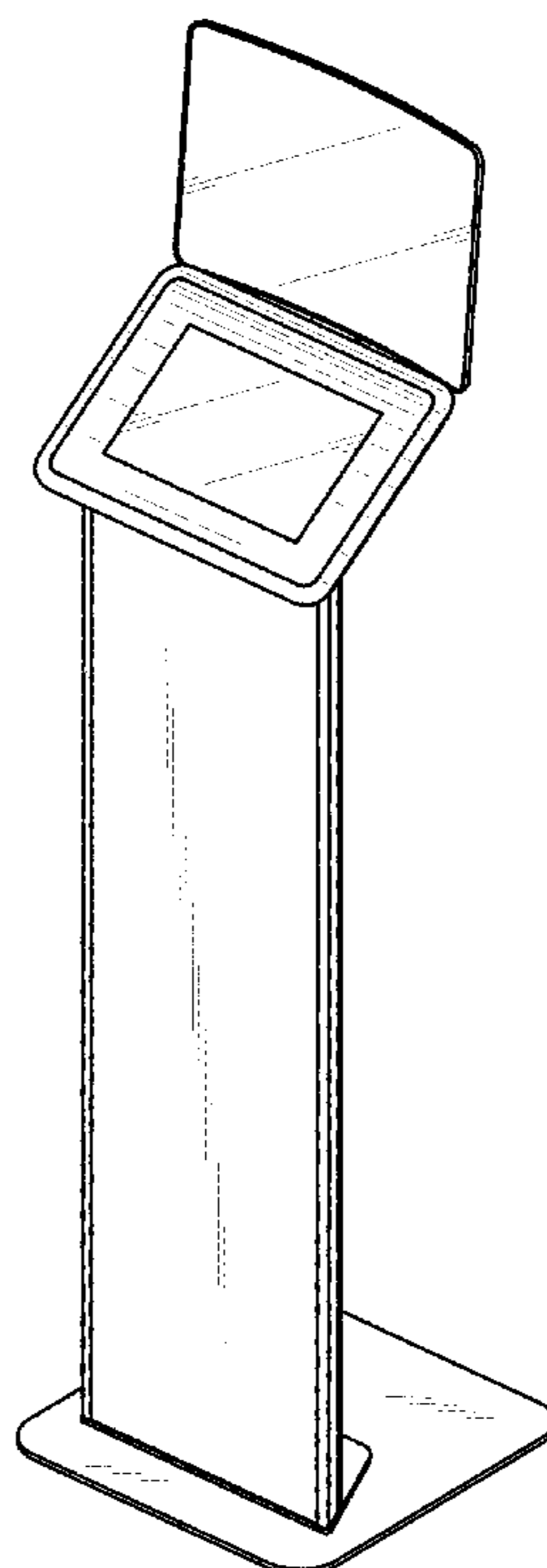
(57) **CLAIM**

I claim the ornamental design for a feedback station with a backboard, as shown and described.

DESCRIPTION

FIG. 1 is a front perspective view of a feedback station with a backboard embodying my design;
FIG. 2 is a front elevational view of FIG. 1;
FIG. 3 is a rear elevational view of FIG. 1;
FIG. 4 is a right side elevational view of FIG. 1;
FIG. 5 is a left side elevational view of FIG. 1;
FIG. 6 is an exploded top plan view of FIG. 1; and,
FIG. 7 is a bottom view of FIG. 1.

1 Claim, 5 Drawing Sheets



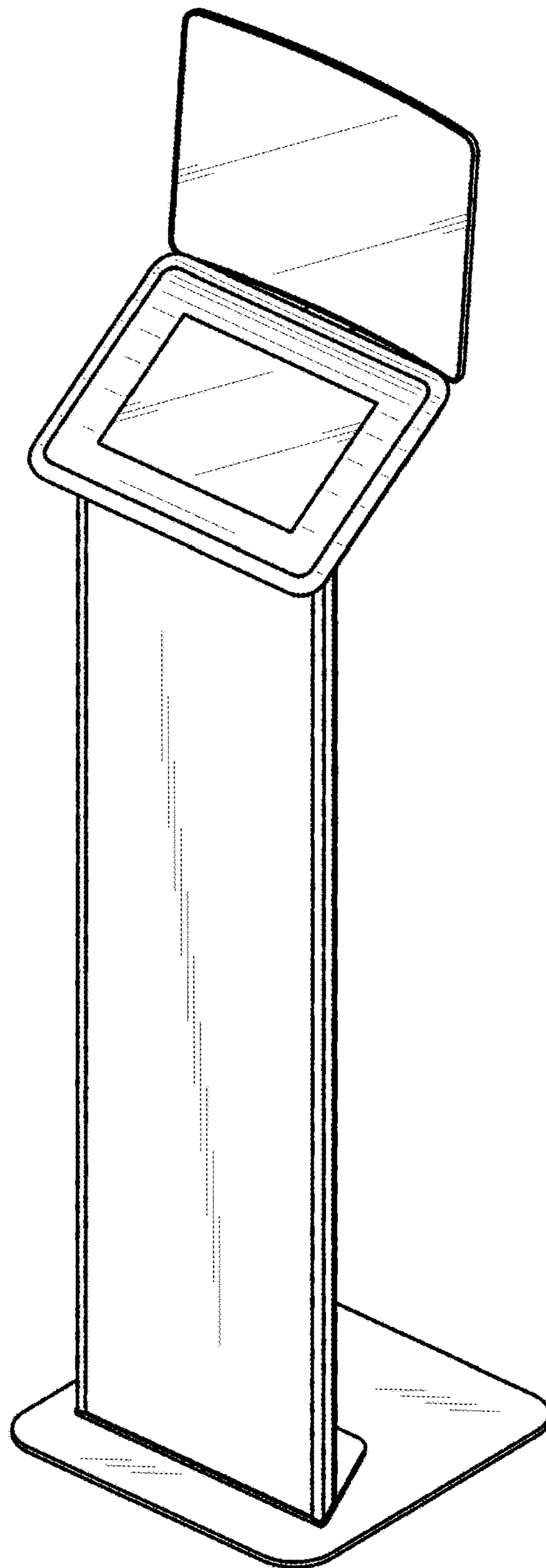


FIG. 1

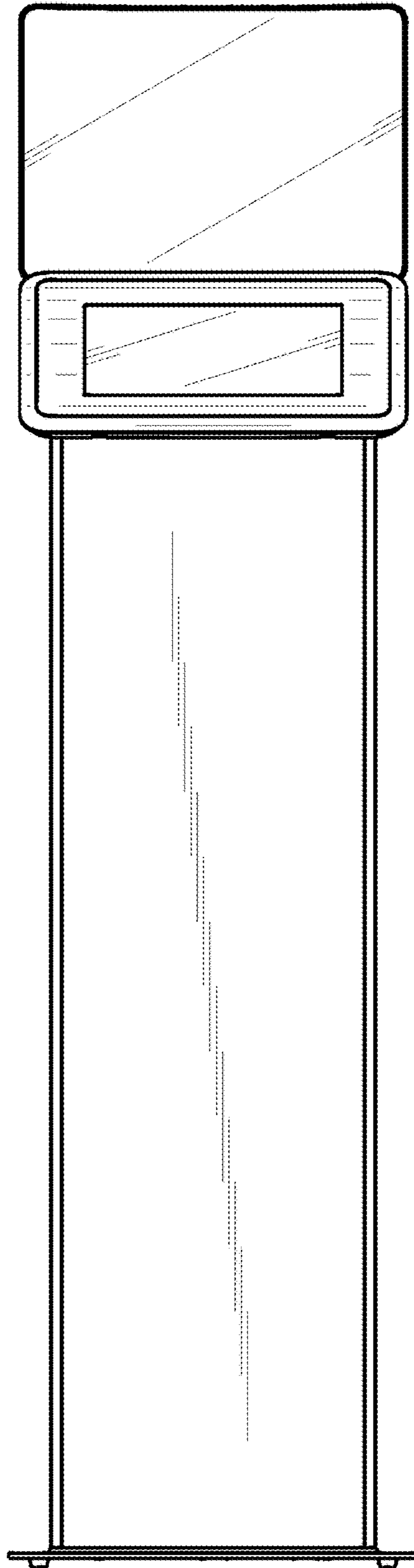


FIG. 2

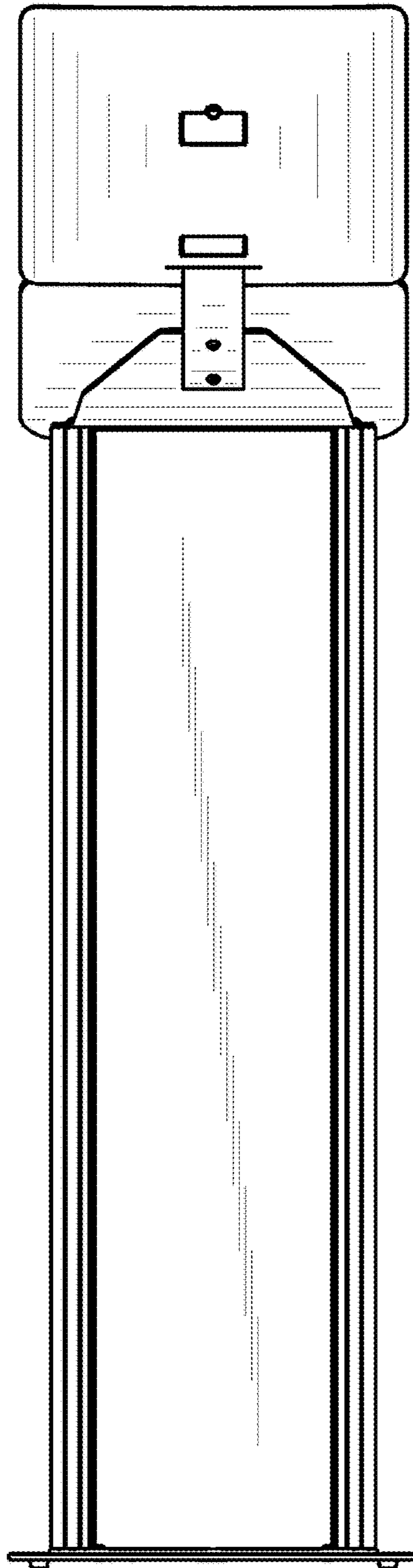


FIG. 3

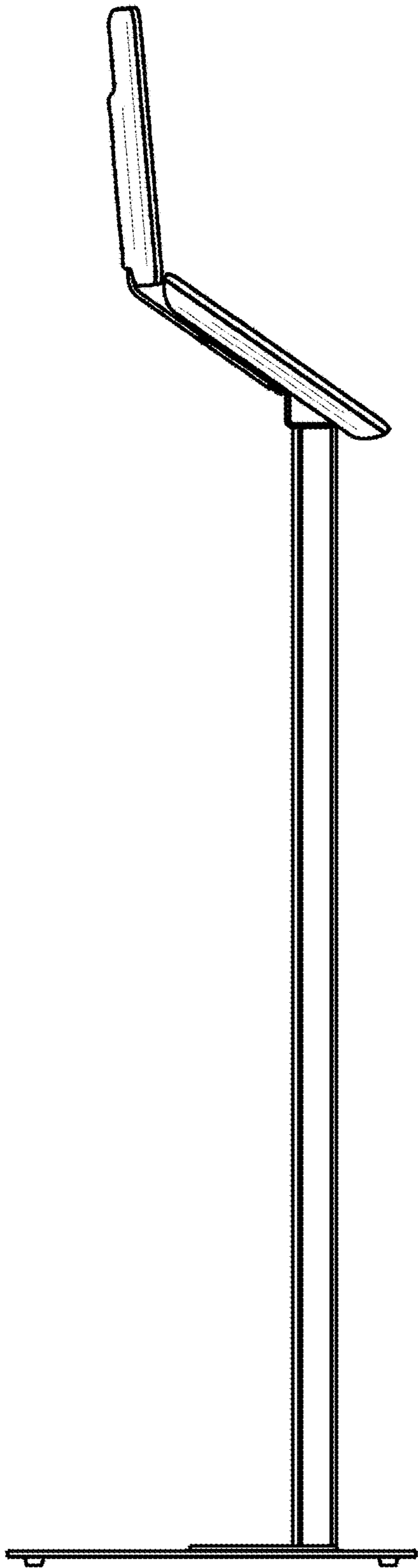


FIG. 4

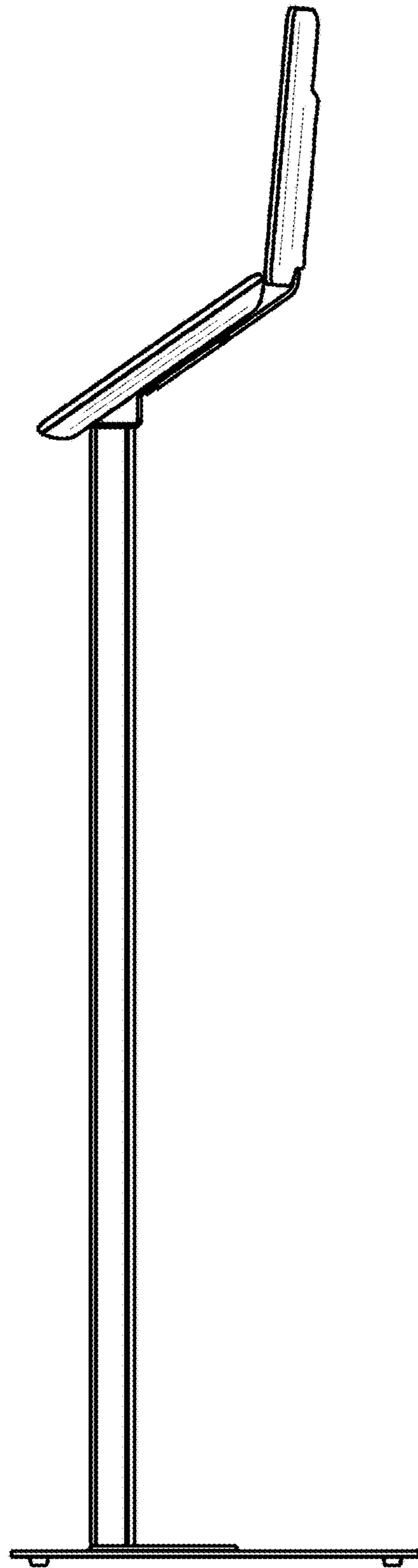


FIG. 5

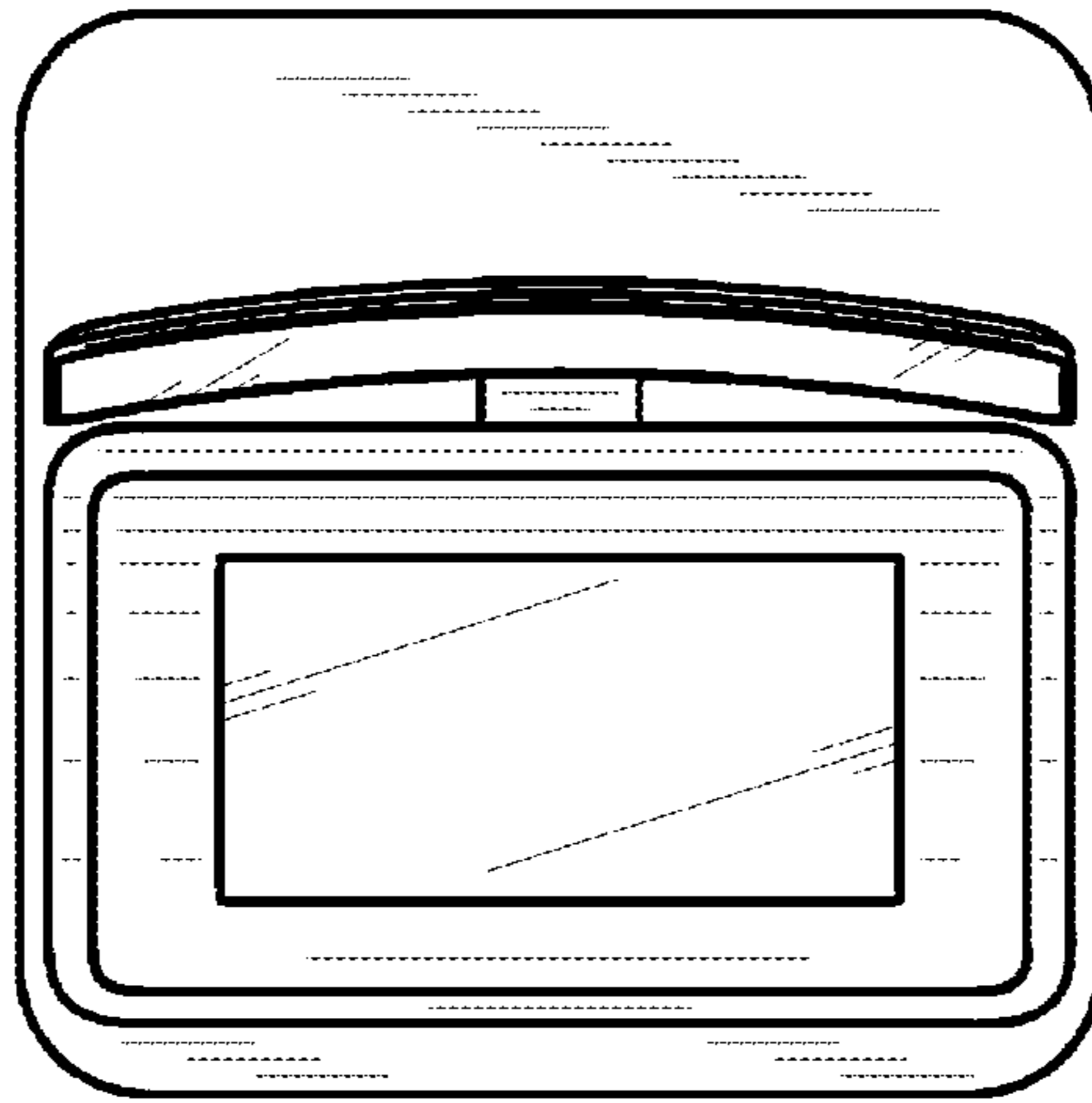


FIG. 6

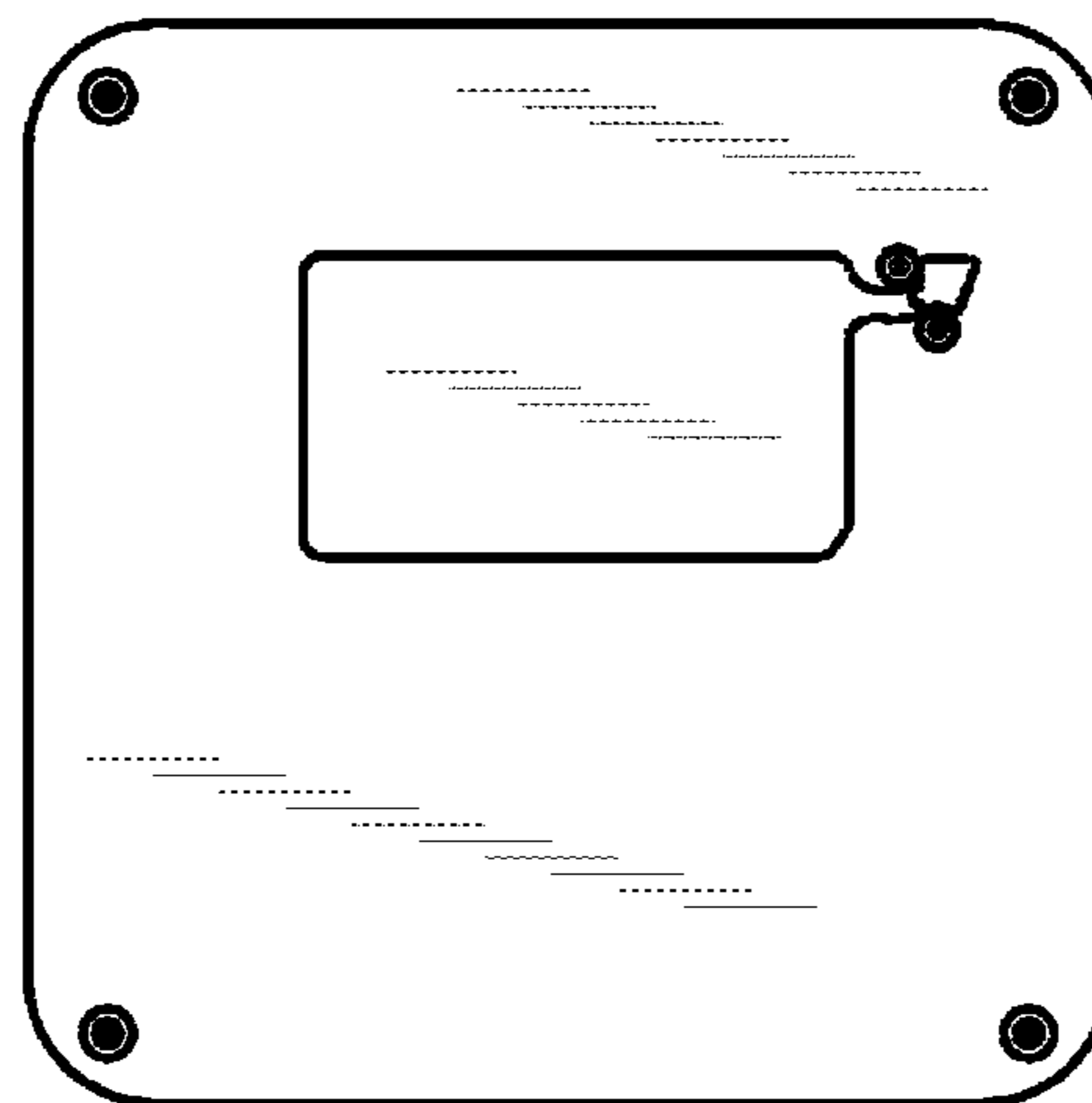


FIG. 7