



US00D836093S

(12) **United States Design Patent** (10) **Patent No.:** **US D836,093 S**
Burgess et al. (45) **Date of Patent:** **** Dec. 18, 2018**

(54) **WIRELESS BASE STATION**
(71) Applicant: **LOGITECH EUROPE, S.A.**,
Lausanne (CH)
(72) Inventors: **Jeremy Burgess**, Hayward, CA (US);
Adam Barry, San Francisco, CA (US)
(73) Assignee: **LOGITECH EUROPE, S.A.**,
Lausanne (CH)
(**) Term: **15 Years**
(21) Appl. No.: **29/606,464**
(22) Filed: **Jun. 5, 2017**
(51) **LOC (11) Cl.** **14-03**
(52) **U.S. Cl.**
USPC **D14/242**
(58) **Field of Classification Search**
USPC D14/242, 240, 355, 357, 358, 125,
D14/140-140.9, 155, 137, 139, 243, 239,
D14/433, 496, 188, 348, 351, 356, 251
CPC H04L 12/00; H03K 17/00; H04W 88/00;
H04W 88/005; H04W 88/02; H04W
88/08; H04W 88/085; H04W 88/10;
H04W 88/12; H04W 88/14; H04B 1/38;
H04M 1/04; H04M 1/05
See application file for complete search history.

D804,534 S * 12/2017 Gardner D14/496
D804,535 S * 12/2017 Gardner D14/496
D805,046 S * 12/2017 Lahiri D14/125

FOREIGN PATENT DOCUMENTS

CN 301199141 * 5/2010
CN 302694734 * 12/2013
WO D075632-001 * 8/2011

OTHER PUBLICATIONS

Headphone Boss. <URL: <http://headphoneboss.com/wireless-headphones-for-tv-jelly-comb-24ghz-uhfrf-over-ear-headphone/>> Nov. 23, 2016. Jelly Comb Wireless earphones.*

* cited by examiner

Primary Examiner — Brandon M Rosati
Assistant Examiner — Lauren D McVey
(74) *Attorney, Agent, or Firm* — Patterson & Sheridan, LLP

(57) **CLAIM**

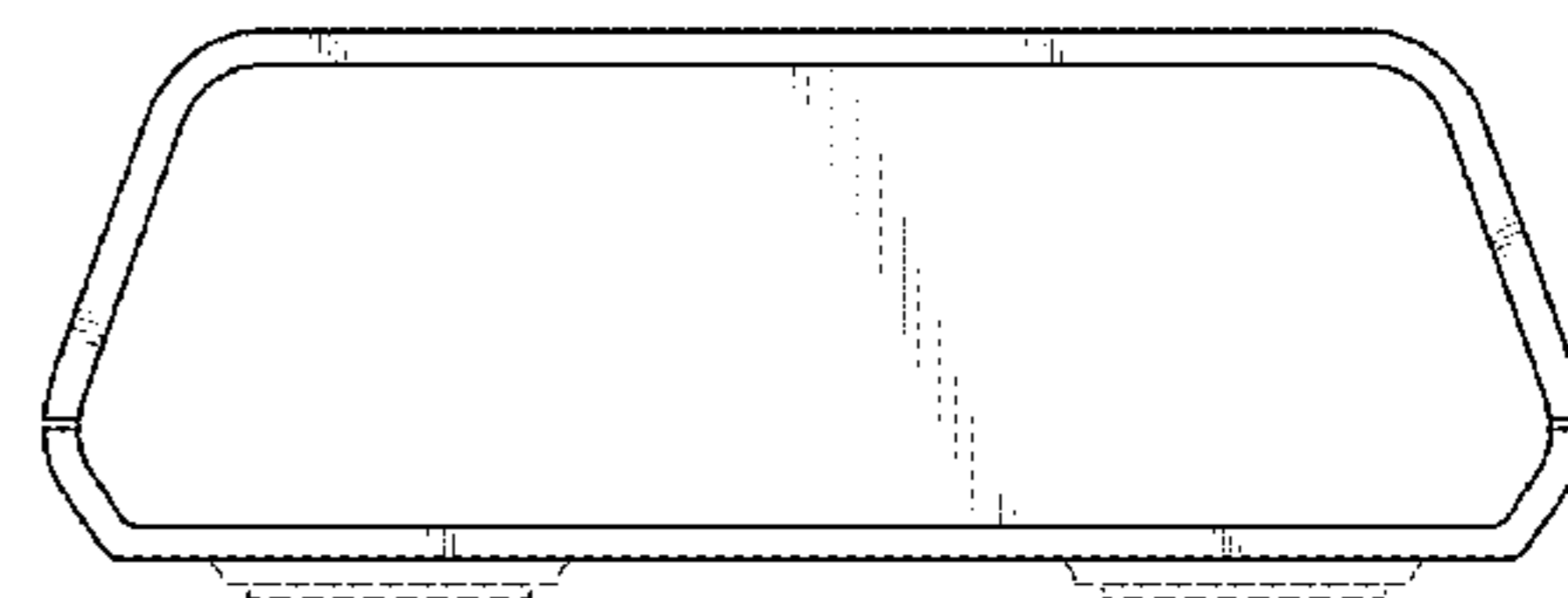
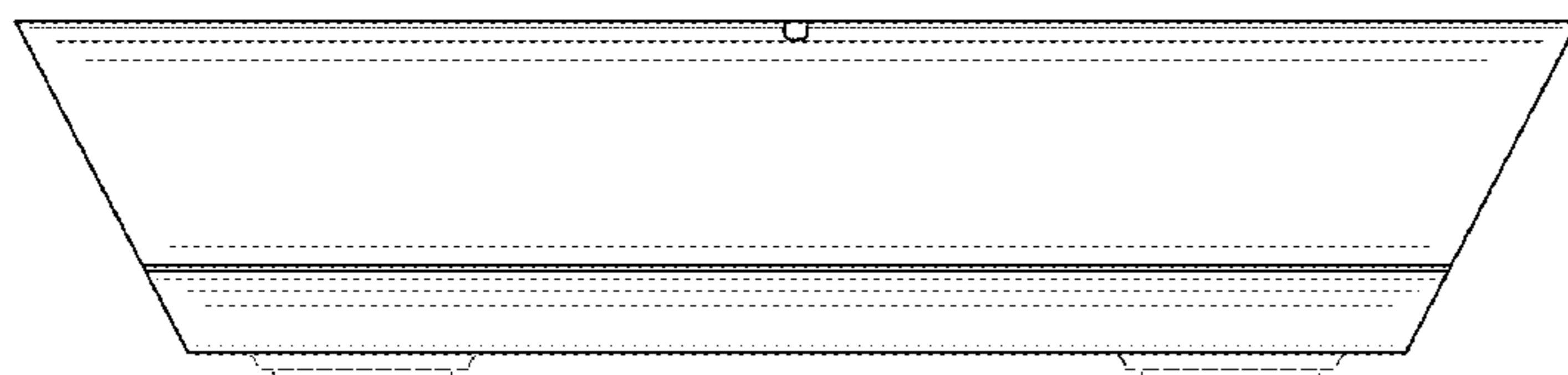
The ornamental design for a wireless base station, as shown and described.

DESCRIPTION

FIG. 1 is a top right perspective view of a wireless base station, showing our new design;
FIG. 2 is a front elevation view thereof;
FIG. 3 is a rear elevation view thereof;
FIG. 4 is a right side elevation view thereof;
FIG. 5 is a left side elevation view thereof;
FIG. 6 is a top plan view thereof; and,
FIG. 7 is a bottom plan view thereof.
The broken lines immediately adjacent the shaded areas represent the bounds of the claimed design while all other broken lines are directed to environment and are for illustrative purposes only; the broken lines form no part of the claimed design.

1 Claim, 3 Drawing Sheets

(56) **References Cited**
U.S. PATENT DOCUMENTS
D286,403 S * 10/1986 Parshad D14/240
D353,598 S * 12/1994 Brandt D14/242
D355,653 S * 2/1995 Brandt D14/149
D471,541 S * 3/2003 Tomino D14/240
D483,353 S * 12/2003 Hyogo D14/230
D661,286 S * 6/2012 McManigal D14/240
D685,752 S * 7/2013 Kimura D14/125
D702,259 S * 4/2014 Onoue D14/496
D707,210 S * 6/2014 Malasani D14/240
D740,828 S * 10/2015 Bucsa D14/433



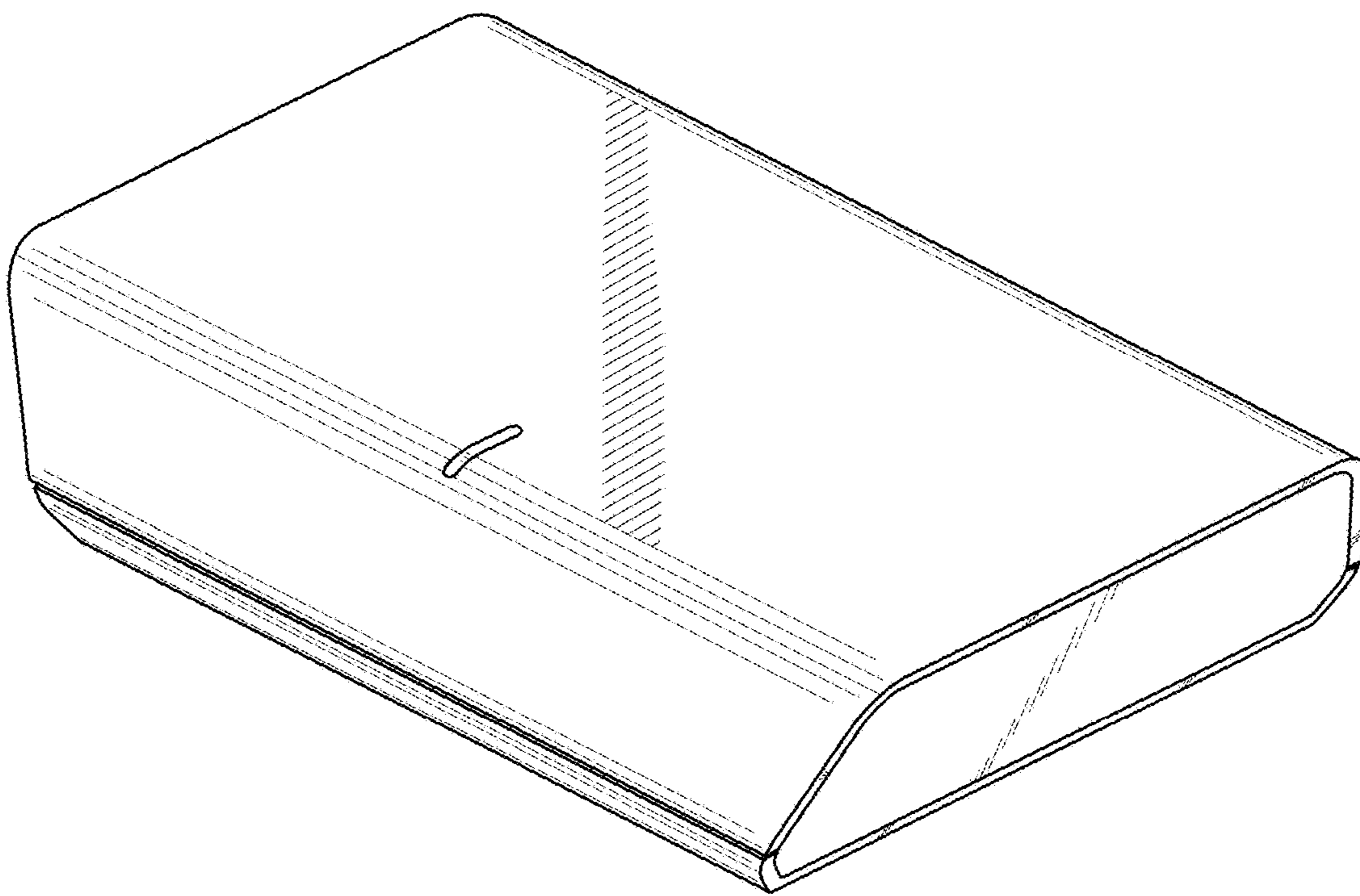


FIG. 1

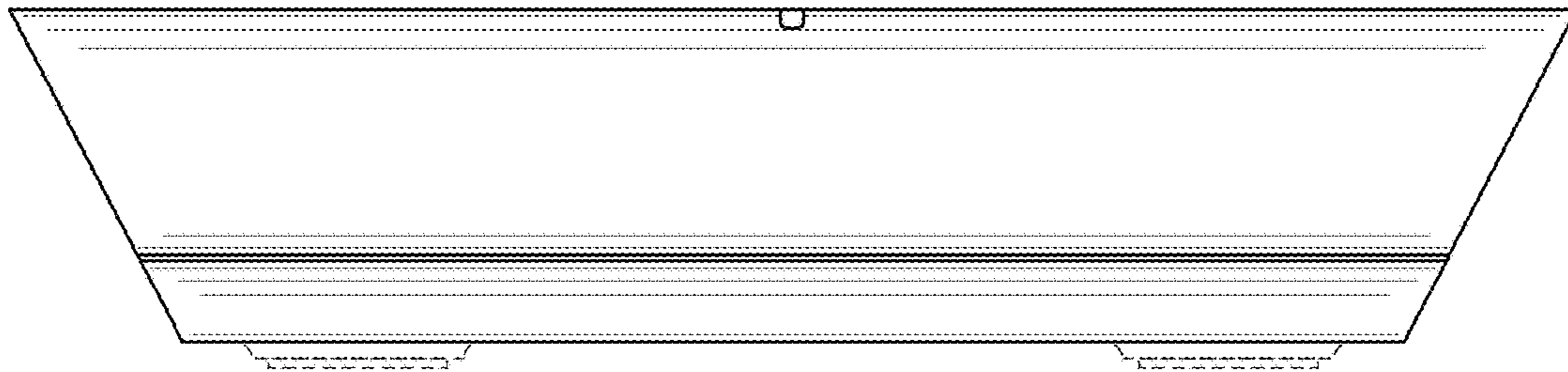


FIG. 2

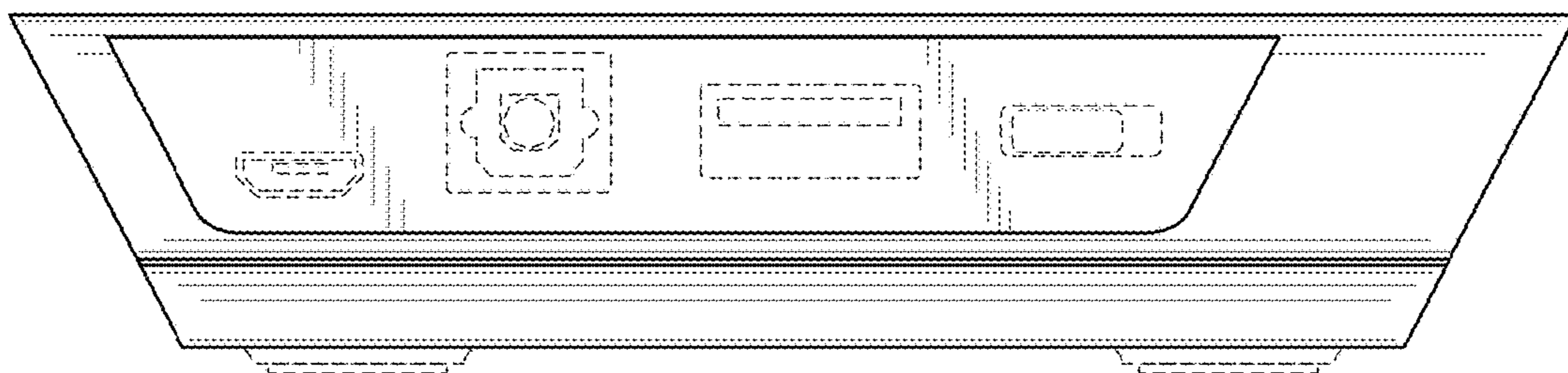


FIG. 3

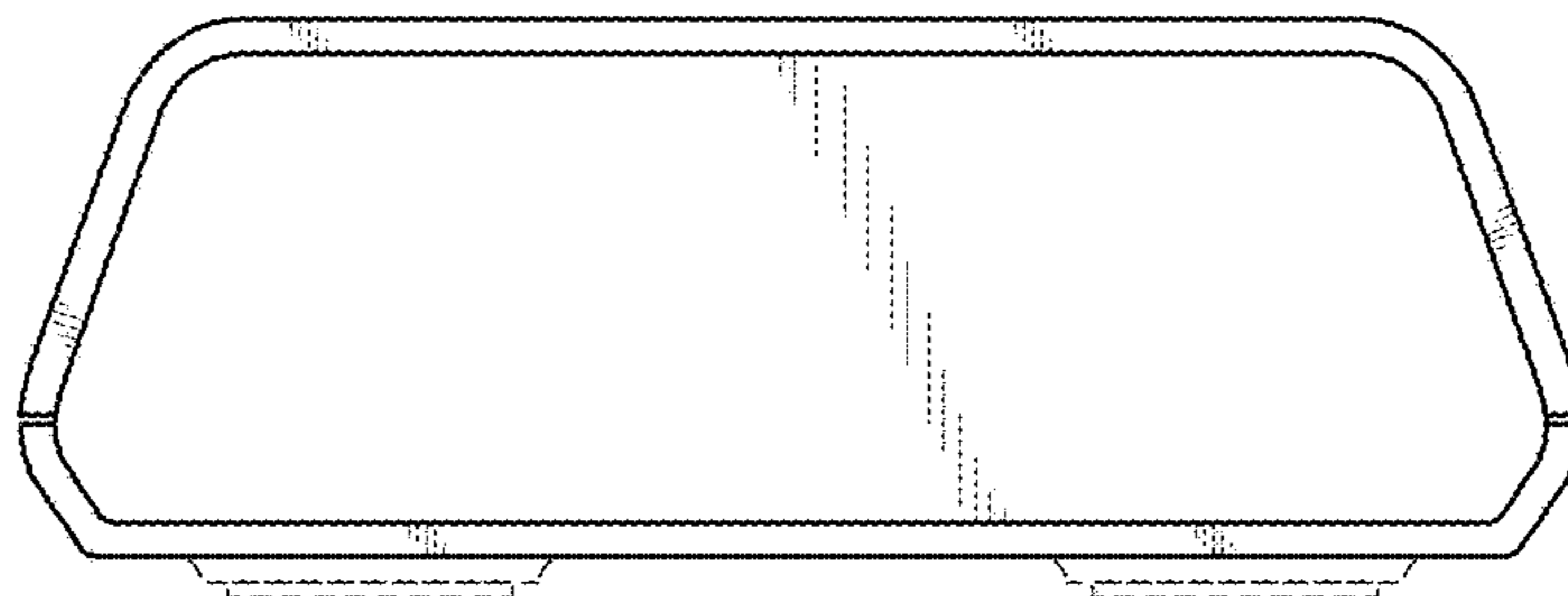


FIG. 4

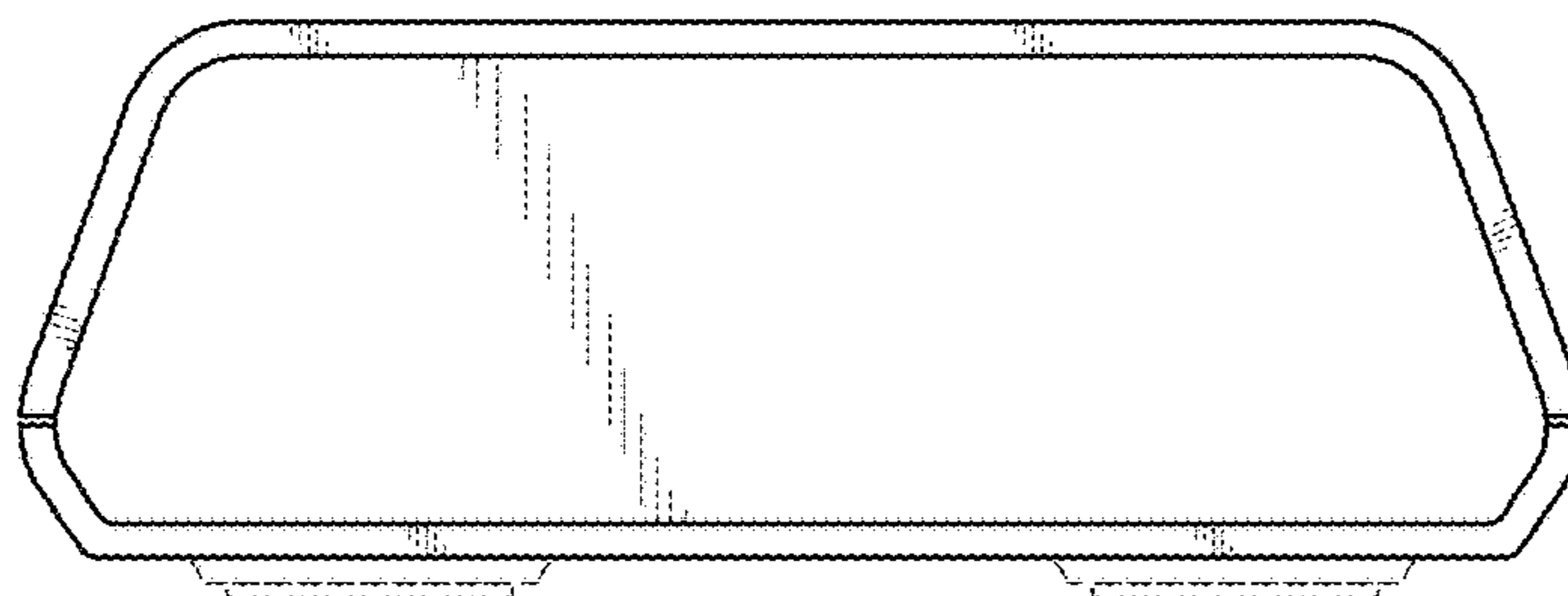


FIG. 5

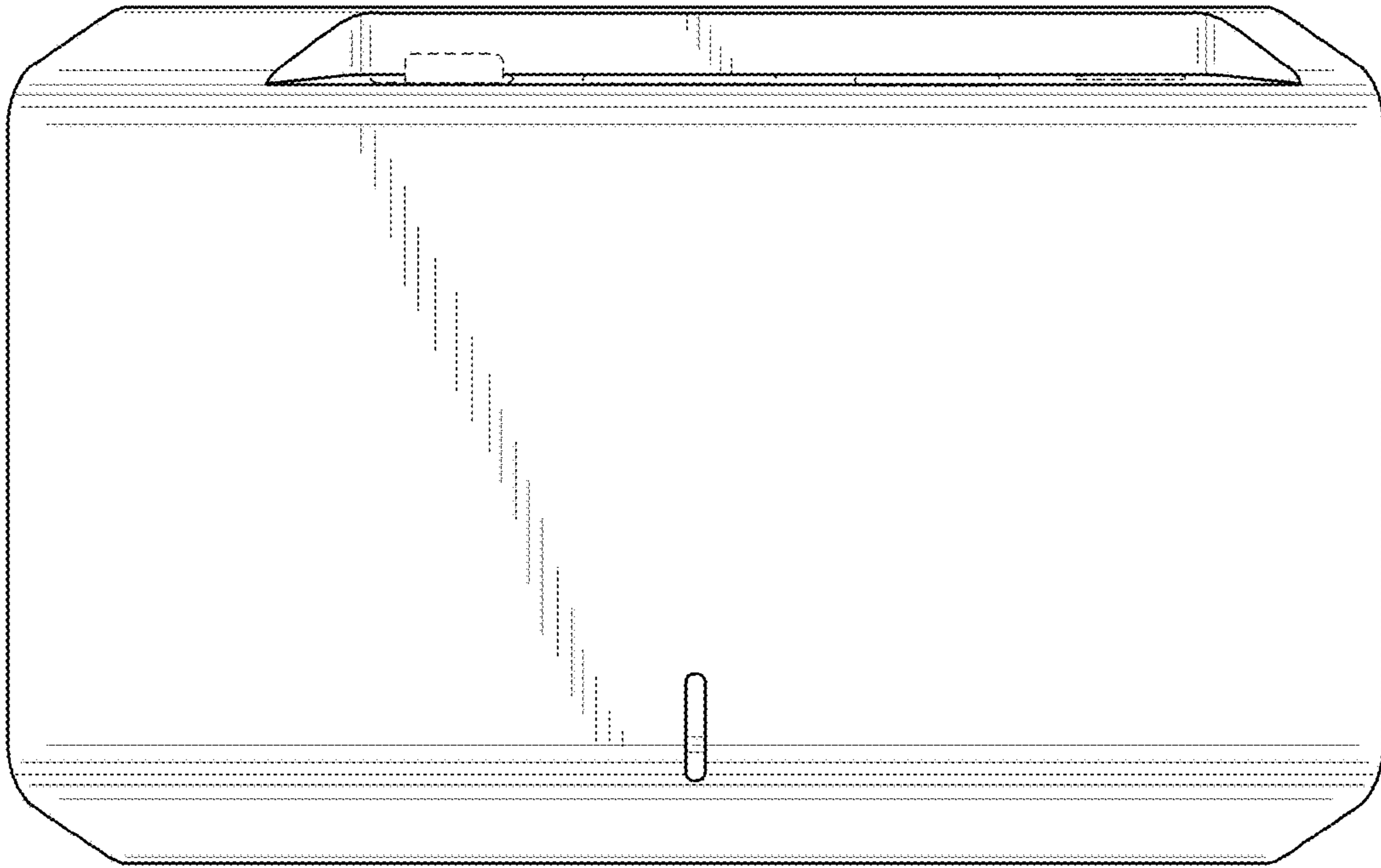


FIG. 6

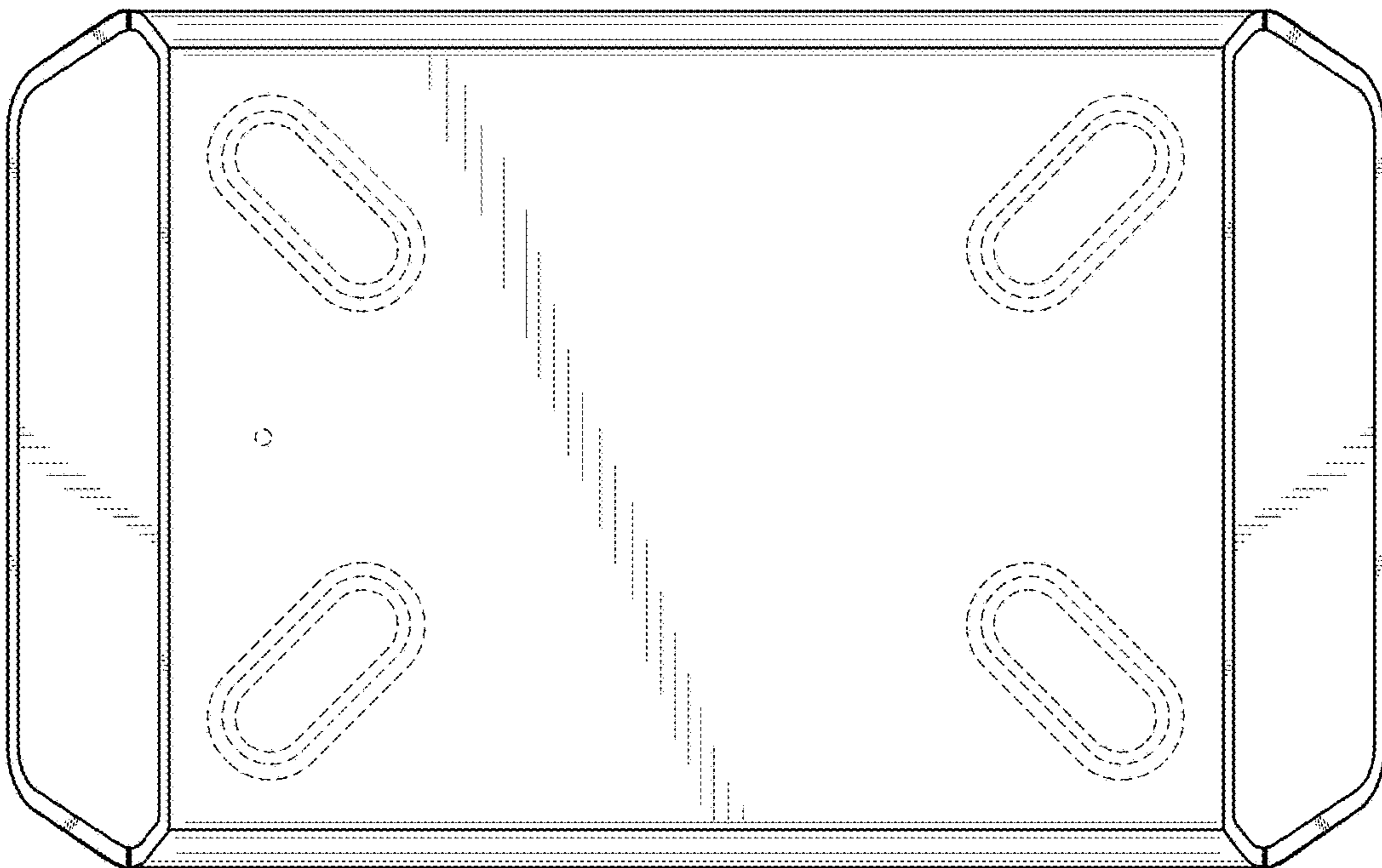


FIG. 7