



US00D836090S

(12) **United States Design Patent**
Li et al.

(10) **Patent No.:** **US D836,090 S**

(45) **Date of Patent:** **** Dec. 18, 2018**

(54) **MICROPHONE**

(71) Applicant: **Beijing 797 Audio Co., Ltd.**, Beijing (CN)

(72) Inventors: **Jianwei Li**, Beijing (CN); **Chen Li**, Beijing (CN); **Xin Yan**, Beijing (CN); **Zhifu Yin**, Beijing (CN); **Ming Song**, Beijing (CN)

(73) Assignee: **Beijing 797 Audio Co., Ltd.**, Beijing (CN)

(**) Term: **15 Years**

(21) Appl. No.: **29/598,263**

(22) Filed: **Mar. 24, 2017**

(51) **LOC (11) Cl.** **14-01**

(52) **U.S. Cl.**
USPC **D14/227**

(58) **Field of Classification Search**
USPC ... D14/227, 225, 226, 228, 229, 172, 209.1, D14/211, 215, 216; 181/142, 153, 129, 181/130, 135; 379/431, 428, 430; 381/354, 355, 359, 363, 361, 362, 364, 381/374, 375, 380, 381; 248/474, 276.1; 362/371; D16/242, 131, 136, 203; 455/90.3, 575.1, 569.1
CPC ... H04R 9/08; H04R 9/06; H04R 3/00; H04R 25/00; H04R 1/02; H04R 1/20; H05K 5/00; F16M 13/00; F21V 21/14; F21V 21/30

See application file for complete search history.

(56) **References Cited**

U.S. PATENT DOCUMENTS

- 2,107,124 A * 2/1938 Markert F21V 21/14
248/185.1
- D179,540 S * 1/1957 Knechtsbarger 248/185.1
- D183,114 S * 7/1958 Burroughs D14/228

- 2,984,713 A * 5/1961 Swinehart H04M 1/03
200/52 R
- 3,005,905 A * 10/1961 Libson F21V 33/00
362/294
- D194,151 S * 11/1962 Deschamps D14/228
- D198,850 S * 8/1964 Kategianis D14/227
- D199,398 S * 10/1964 Freeman D14/227
- 3,153,123 A * 10/1964 Harman H04R 1/08
248/414
- 3,371,742 A * 3/1968 Norton H04R 1/345
181/153
- 3,385,393 A * 5/1968 Gold H04R 5/023
181/141

(Continued)

Primary Examiner — Paula Allen Greene

(74) *Attorney, Agent, or Firm* — Wood Herron & Evans LLP

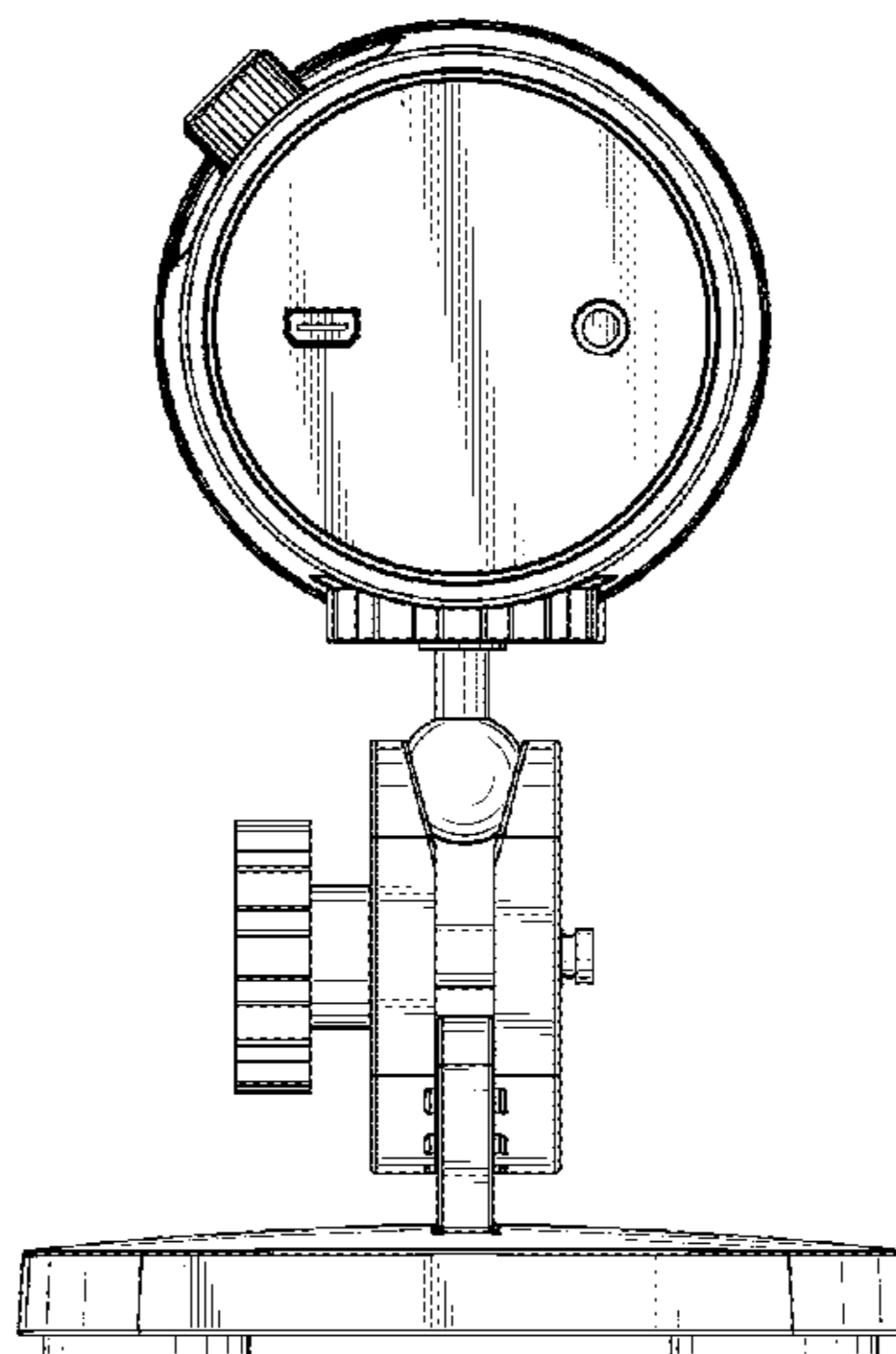
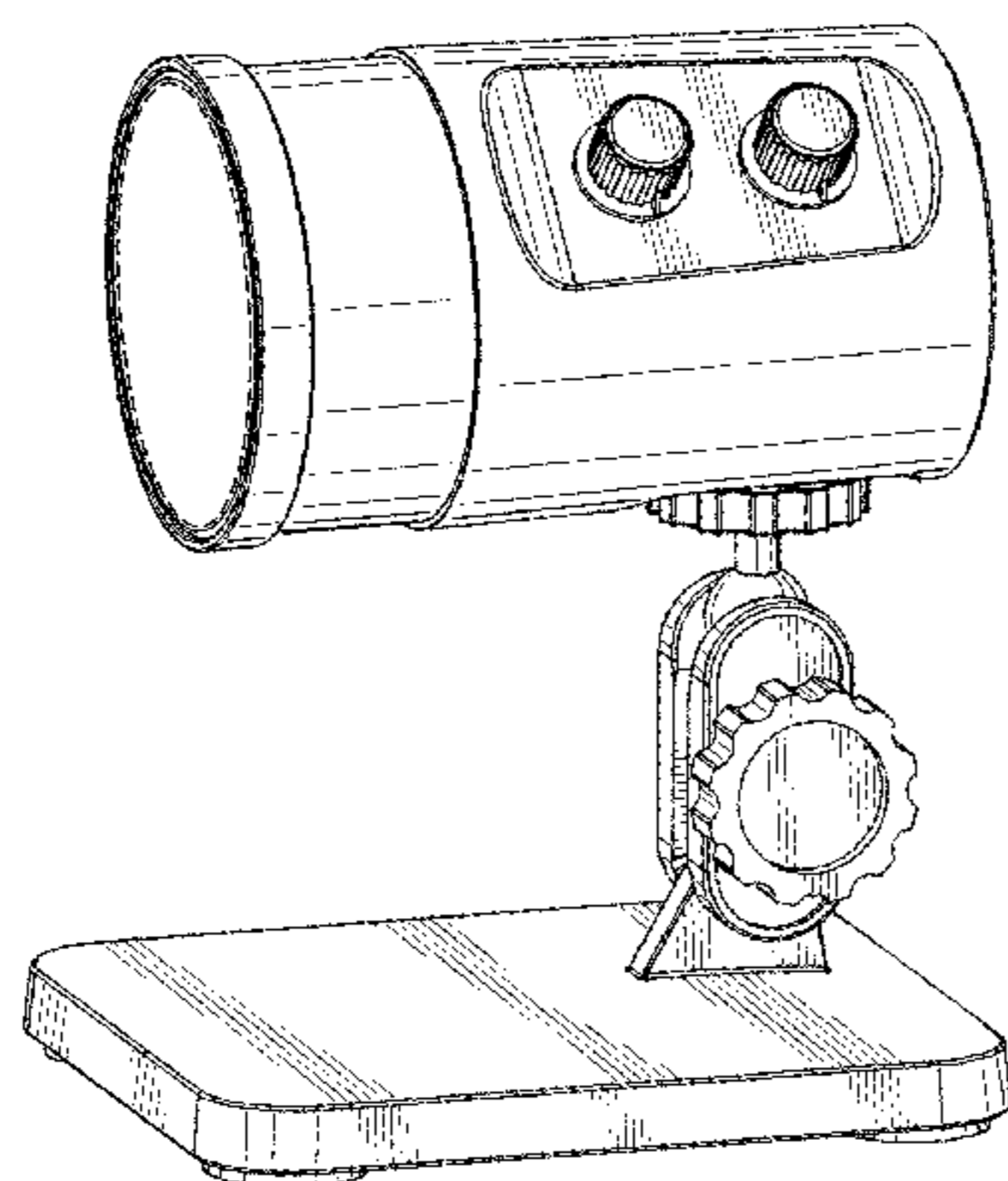
(57) **CLAIM**

The ornamental design for a microphone, as shown and described.

DESCRIPTION

FIG. 1 is a top front perspective view of a microphone in accordance with one embodiment of this invention;
 FIG. 2 is a bottom rear perspective view of the microphone of FIG. 1;
 FIG. 3 is a front elevational view of the microphone of FIG. 1;
 FIG. 4 is a rear elevational view of the microphone of FIG. 1;
 FIG. 5 is a right side elevational view of the microphone of FIG. 1;
 FIG. 6 is a left side elevational view of the of the microphone of FIG. 1;
 FIG. 7 is a bottom plan view of the microphone of FIG. 1;
 and,
 FIG. 8 is a top plan view of the microphone of FIG. 1.
 The broken lines in these drawing views depict environment that forms no part of the claimed design.

1 Claim, 8 Drawing Sheets



(56)

References Cited

U.S. PATENT DOCUMENTS

3,414,686 A * 12/1968 Reinthaler H04R 1/08
181/242
D213,567 S * 3/1969 Kahn D14/228
3,443,660 A * 5/1969 Olson H04R 1/2857
181/153
3,543,019 A * 11/1970 Jacobsen F16M 11/10
248/586
3,573,401 A * 4/1971 Lininger H04R 1/08
248/121
D221,230 S * 7/1971 Deschamps D14/227
D231,559 S * 4/1974 Darling D26/63
D233,669 S * 11/1974 Plice D14/228
D235,227 S * 5/1975 Cleary D26/63
3,895,188 A * 7/1975 Ingraham G10K 11/08
367/104
4,580,654 A * 4/1986 Hale H04R 1/02
181/146
D296,099 S * 6/1988 Kubota D14/227
4,756,382 A * 7/1988 Hudson, III H04R 1/227
181/141
D299,921 S * 2/1989 Kikutani D14/227
D302,158 S * 7/1989 Kubota D14/225
D313,802 S * 1/1991 Peiker D14/227
5,016,153 A * 5/1991 Gismondi F16M 11/10
362/287
5,191,177 A * 3/1993 Chi B60R 11/0217
181/153
5,357,577 A * 10/1994 Waji H01J 7/24
361/704
5,497,965 A * 3/1996 Mathieu, Jr. F16M 11/041
248/159
D375,749 S * 11/1996 Chiang D14/227

5,664,750 A * 9/1997 Cohen F16M 11/041
248/229.15
D387,770 S * 12/1997 Liao D14/227
D392,640 S * 3/1998 Tully D14/188
D393,643 S * 4/1998 Chiang D14/227
5,799,096 A * 8/1998 Liao H04R 1/083
381/355
5,805,709 A * 9/1998 Liou H04R 1/08
381/355
D412,708 S * 8/1999 Okon D14/228
6,219,429 B1 * 4/2001 Chung H04R 1/08
248/324
D441,354 S * 5/2001 Jing D14/228
D448,364 S * 9/2001 Chung D14/228
D457,876 S * 5/2002 Chung D14/228
D475,038 S * 5/2003 Jarodsky D14/228
D475,039 S * 5/2003 Thornton D14/228
D478,392 S * 8/2003 Kovacik D26/65
D496,351 S * 9/2004 Allen D14/211
D500,511 S * 1/2005 Sybilrud D16/203
7,137,721 B1 * 11/2006 Rao F21V 21/0824
362/371
D563,396 S * 3/2008 Probst D14/228
D594,856 S * 6/2009 Marshall D14/228
D599,326 S * 9/2009 Martikainen D14/211
D602,920 S * 10/2009 Fleischer D14/226
D603,381 S * 11/2009 Fleischer D14/227
D605,183 S * 12/2009 Fleischer D14/227
8,960,632 B2 * 2/2015 Fallows F16M 11/2092
248/276.1
2002/0048384 A1 * 4/2002 Chen H04R 1/08
381/363
2002/0154789 A1 * 10/2002 Rodgers F16M 11/041
381/363
2010/0254559 A1 * 10/2010 Heil H04R 1/08
381/361

* cited by examiner

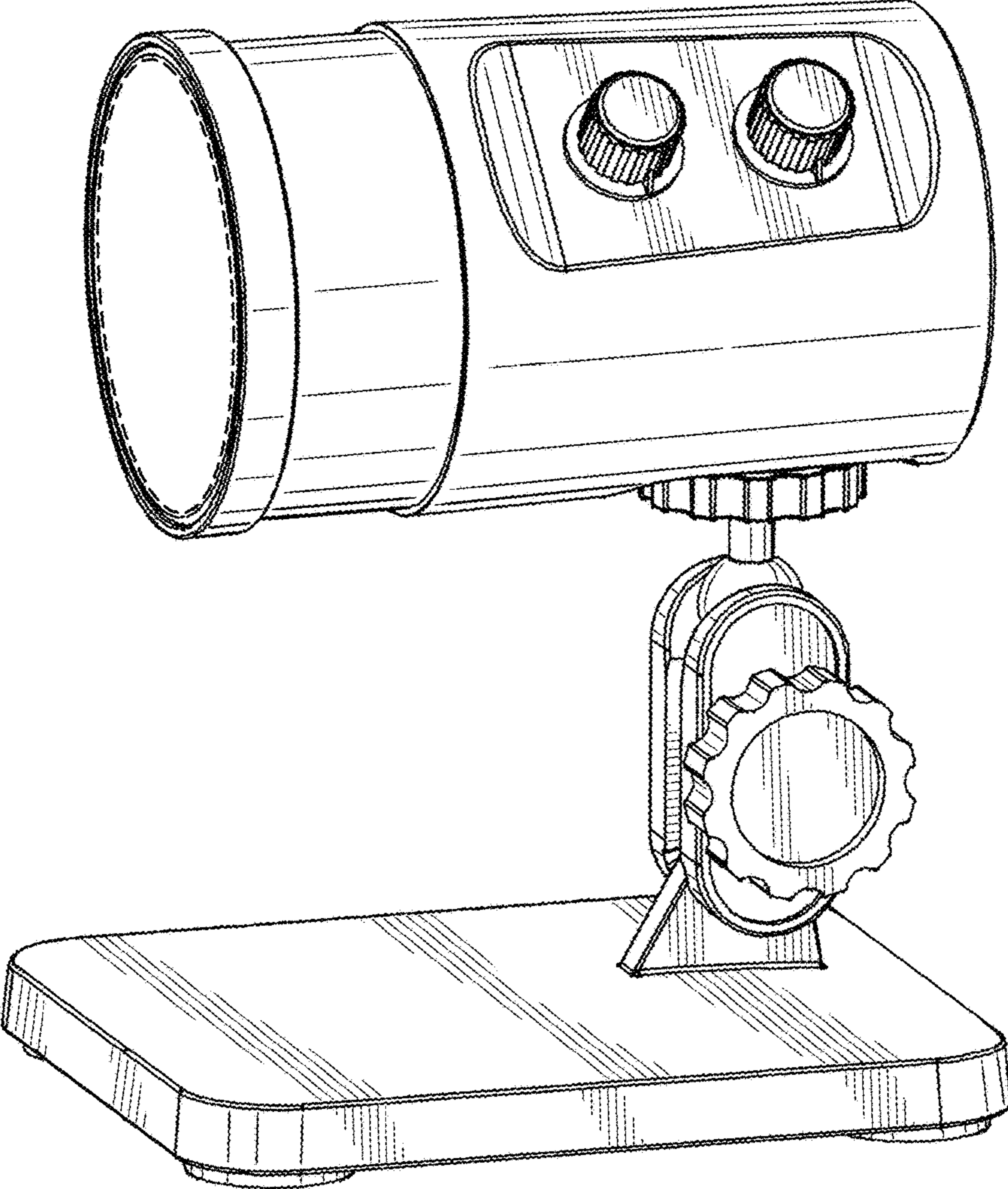


FIG. 1

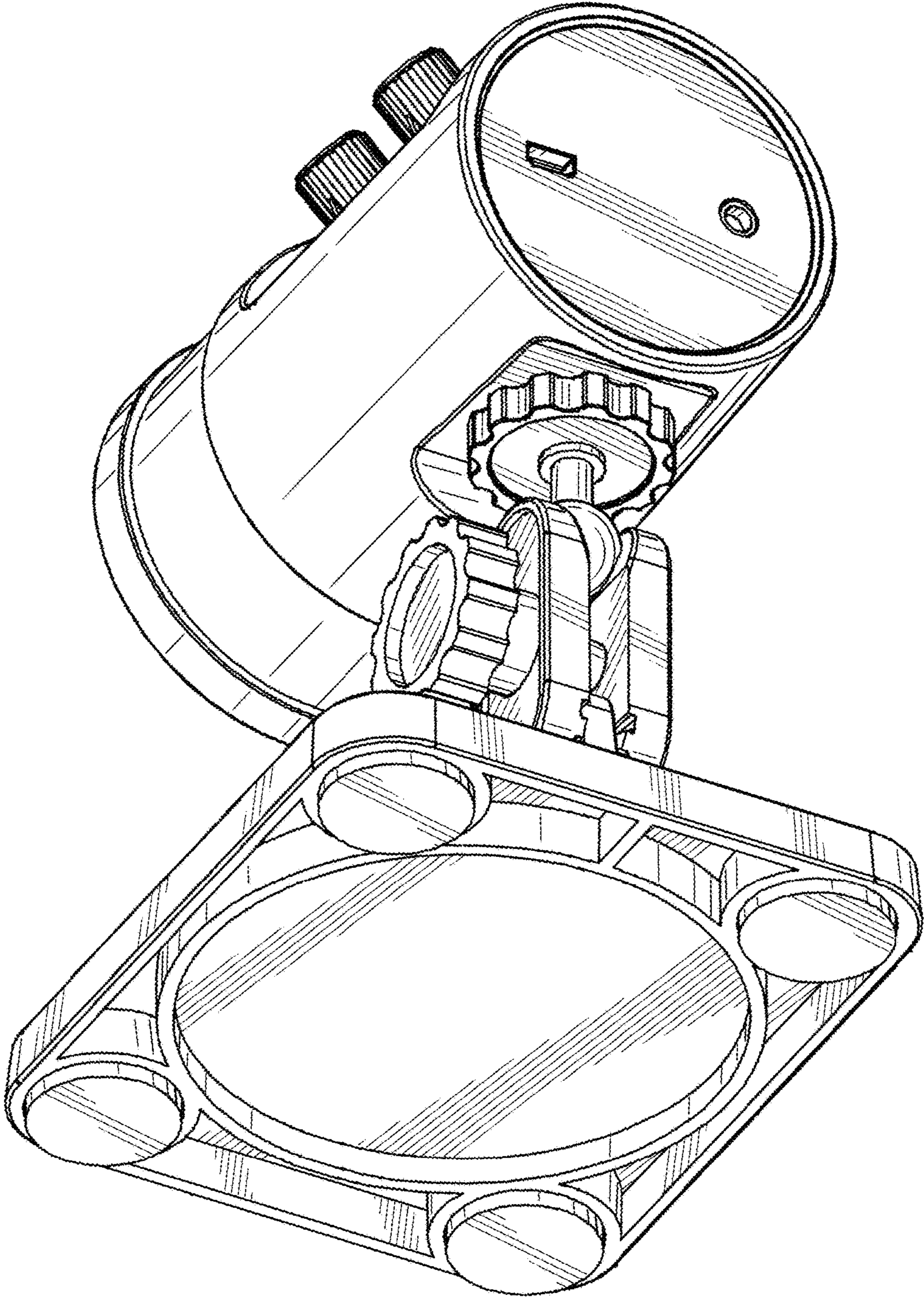


FIG. 2

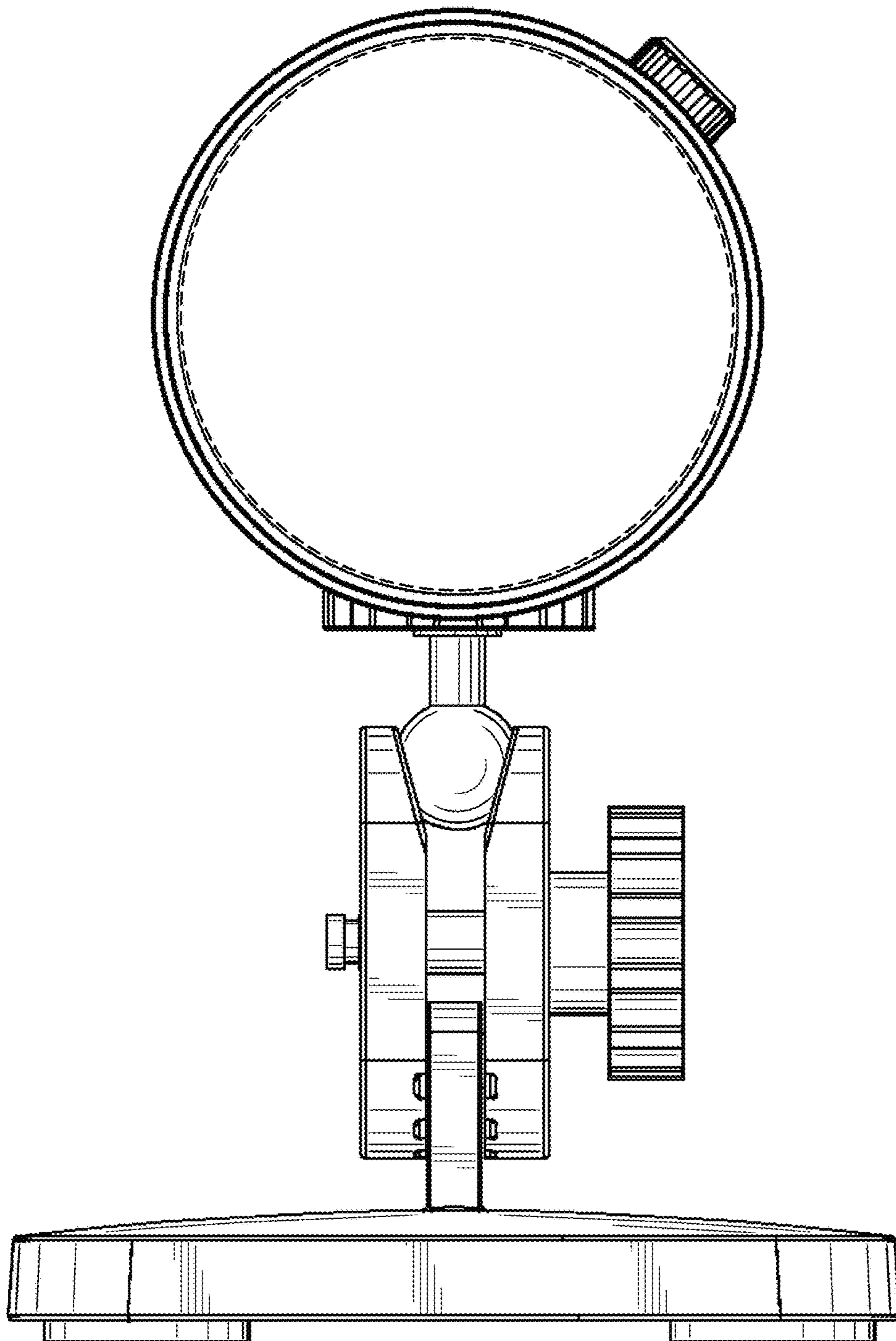


FIG. 3

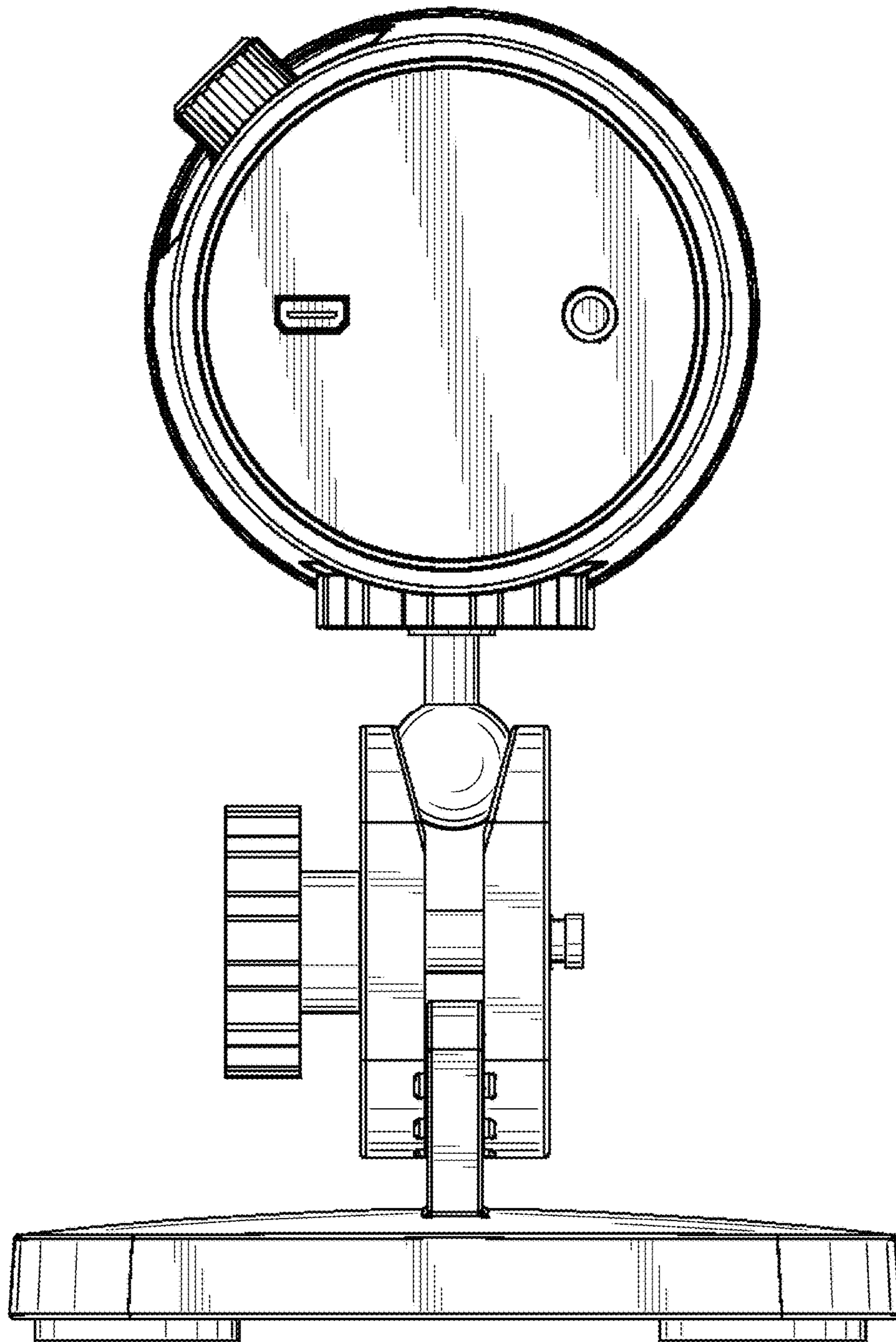


FIG. 4

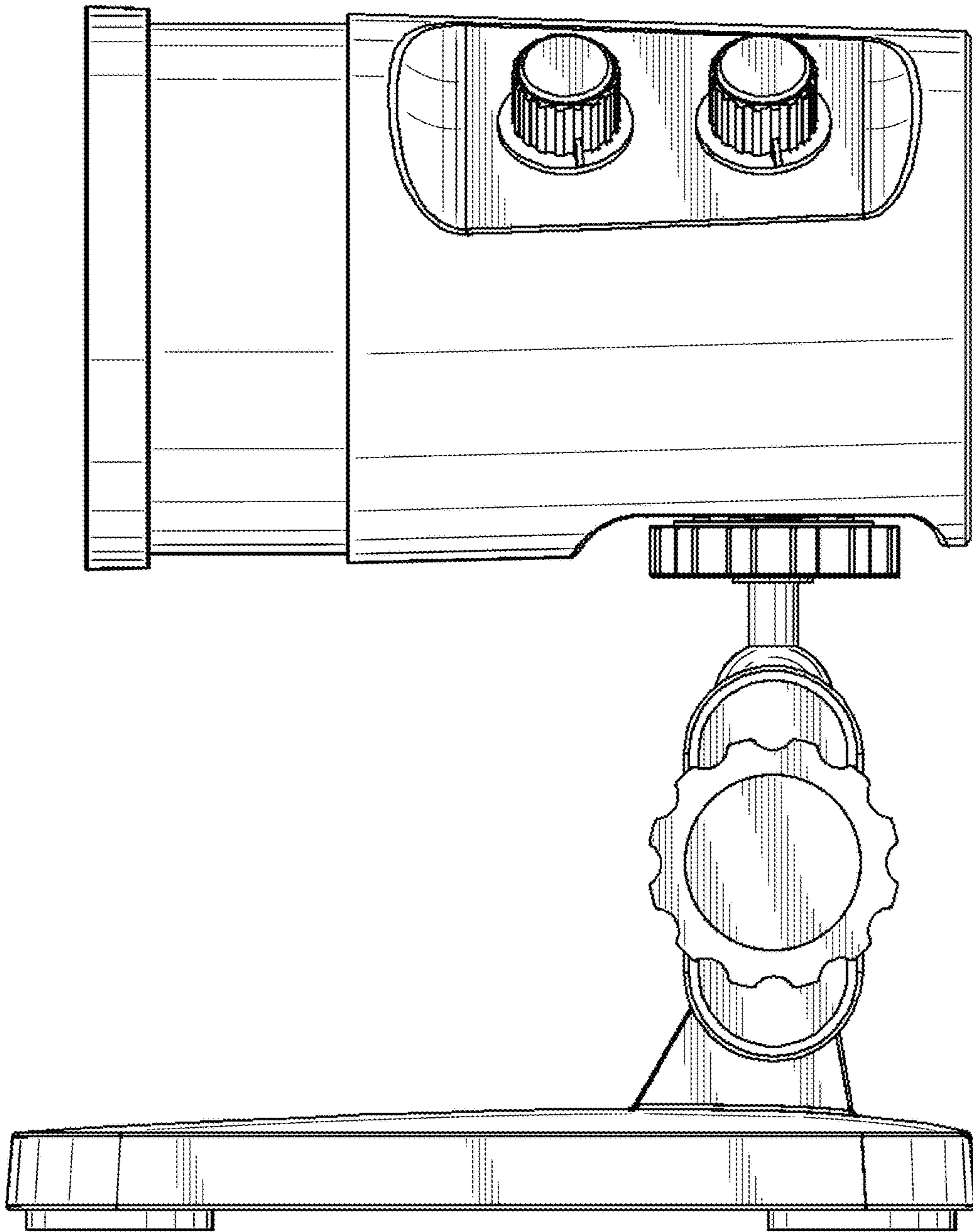


FIG. 5

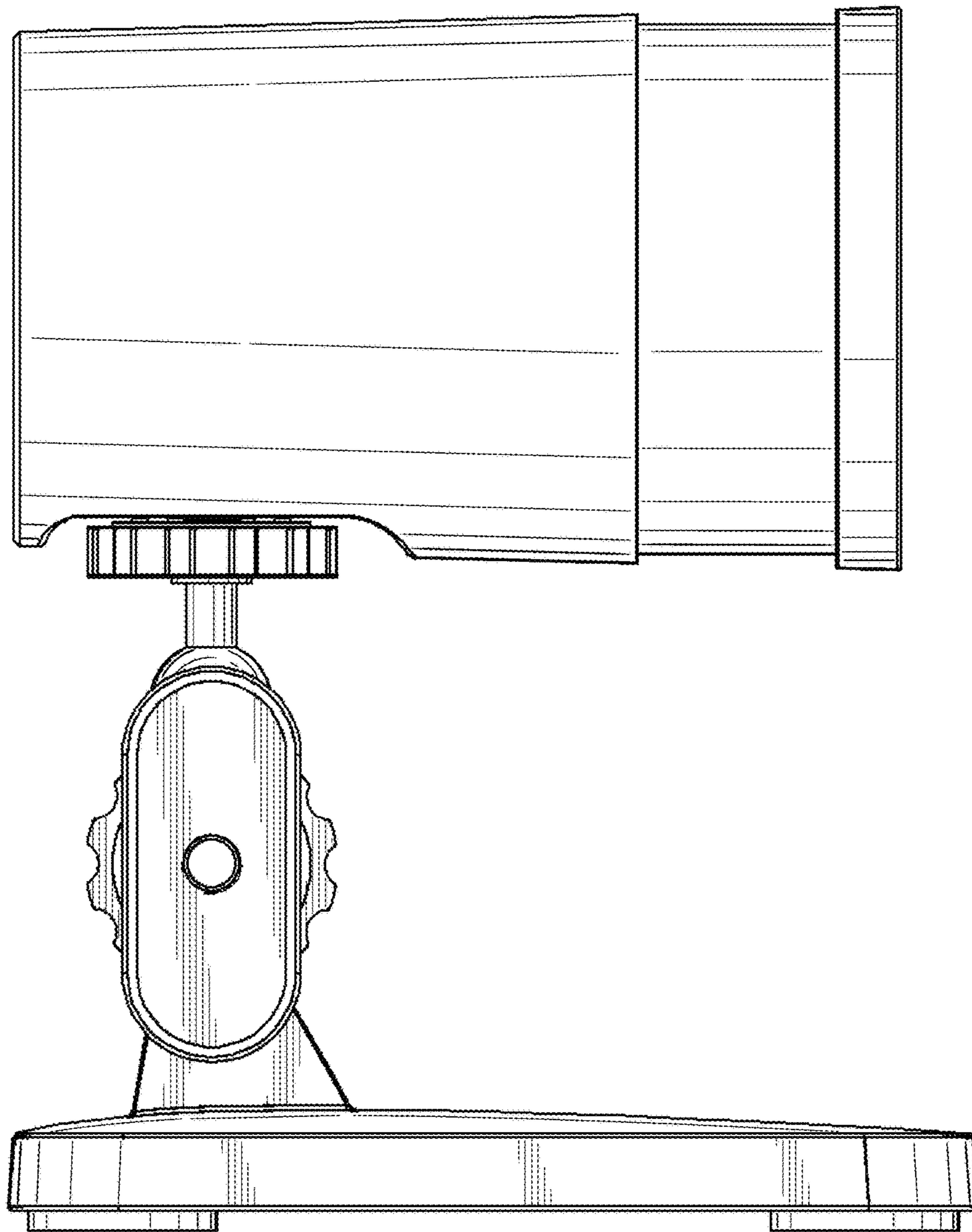


FIG. 6

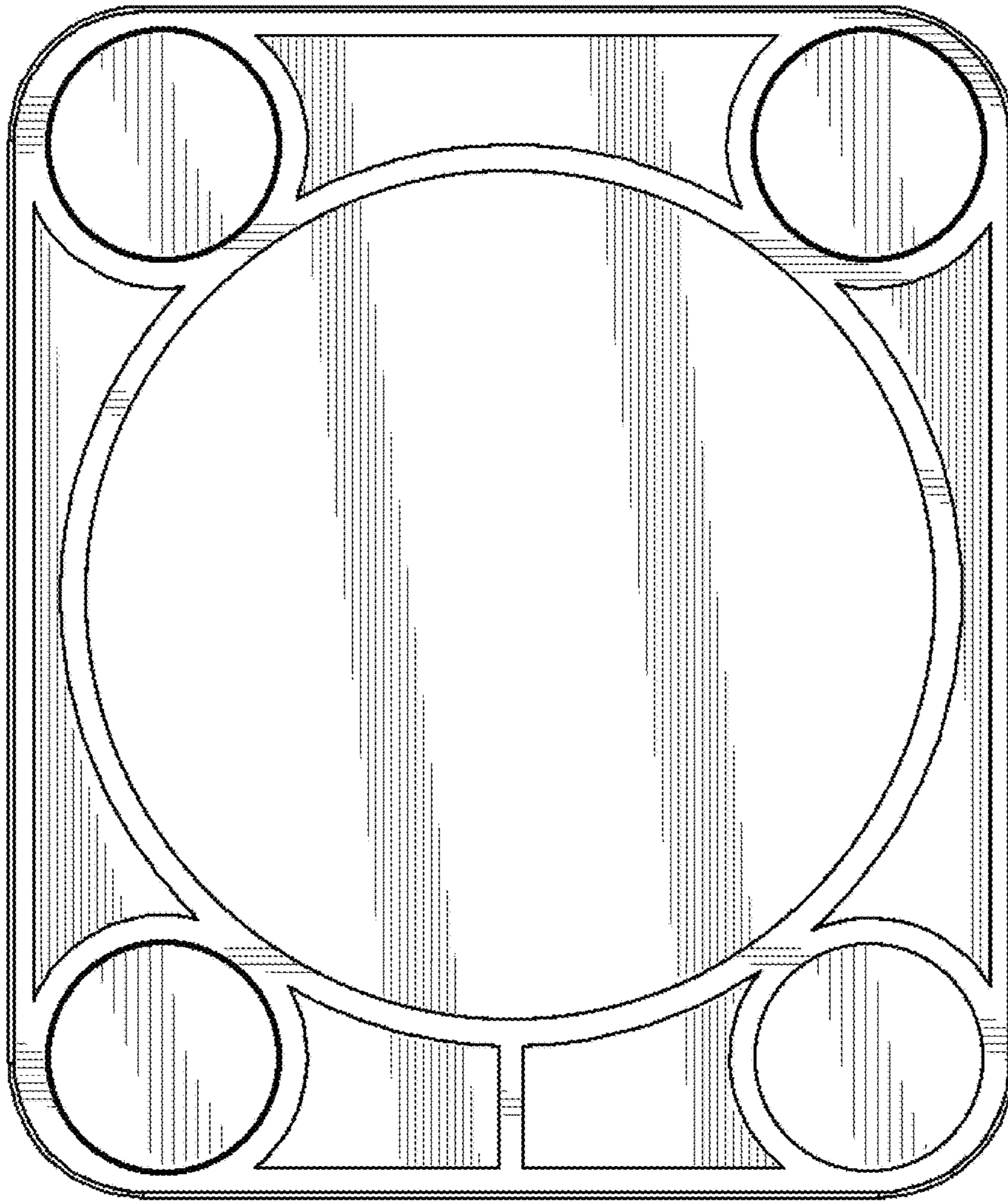


FIG. 7

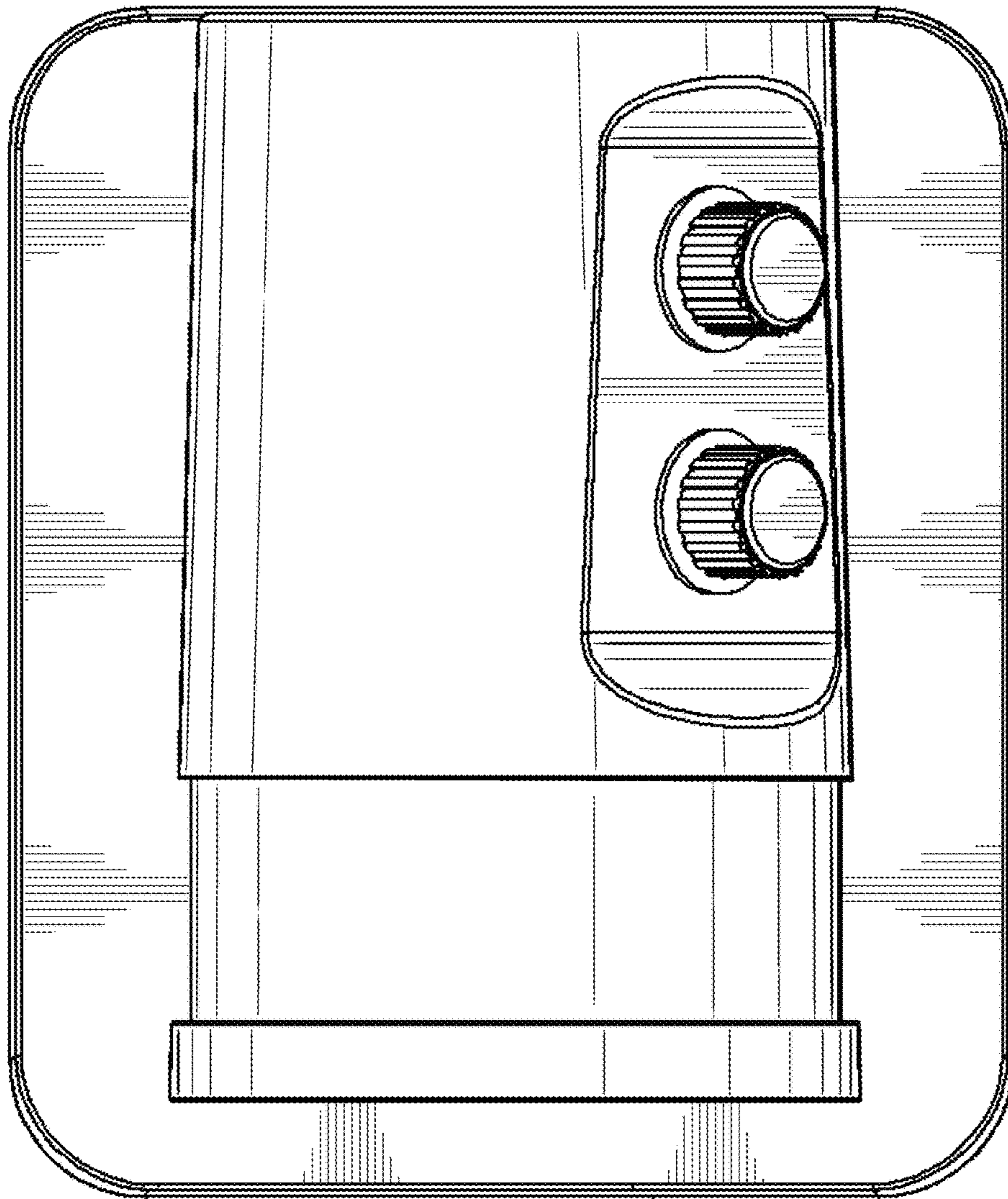


FIG. 8