



US00D836089S

(12) **United States Design Patent** (10) **Patent No.:** **US D836,089 S**
Loermann (45) **Date of Patent:** **** *Dec. 18, 2018**

(54) **HEADPHONE** 4,069,400 A * 1/1978 Johanson H04R 25/60
381/322
(71) Applicant: **BRAGI GmbH**, München (DE) 4,150,262 A 4/1979 Ono
4,334,315 A 6/1982 Ono et al.
(72) Inventor: **Arne D Loermann**, München (DE) D266,271 S * 9/1982 Johanson D24/174
(Continued)

(73) Assignee: **BRAGI GMBH**, München (DE)

(*) Notice: This patent is subject to a terminal disclaimer.

(**) Term: **15 Years**

(21) Appl. No.: **29/563,635**

(22) Filed: **May 6, 2016**

(51) **LOC (11) Cl.** **14-01**

(52) **U.S. Cl.**
USPC **D14/223**

(58) **Field of Classification Search**
USPC D14/223; D24/174; 128/864, 867, 868;
181/129, 130, 135; 379/430, 431;
381/380, 381, 322, 370, 374, 324, 327,
381/328, 410, 312, 60
CPC H04R 1/1091; H04R 25/00; H04R 25/02;
H04R 1/10; H04R 1/105; H04R 1/02;
H04R 1/1016

See application file for complete search history.

(56) **References Cited**

U.S. PATENT DOCUMENTS

2,325,590 A * 7/1943 Carlisle H04R 11/06
381/322
2,430,229 A * 11/1947 Kelsey H04R 1/1058
181/130
3,047,089 A * 7/1962 Zwislocki A61F 11/08
128/864
D208,784 S * 10/1967 Sanzone D24/174
3,586,794 A * 6/1971 Michaelis H04R 9/10
181/129
3,934,100 A 1/1976 Harada
3,983,336 A * 9/1976 Malek H04R 25/402
381/313

FOREIGN PATENT DOCUMENTS

EP 1017252 A2 7/2000
GB 2074817 4/1981

(Continued)

OTHER PUBLICATIONS

Announcing the \$3,333,333 Stretch Goal (Feb. 24, 2014).

(Continued)

Primary Examiner — Garth Rademaker

Assistant Examiner — Samantha Q. Lawrence

(74) *Attorney, Agent, or Firm* — Goodhue, Coleman & Owens, P.C.

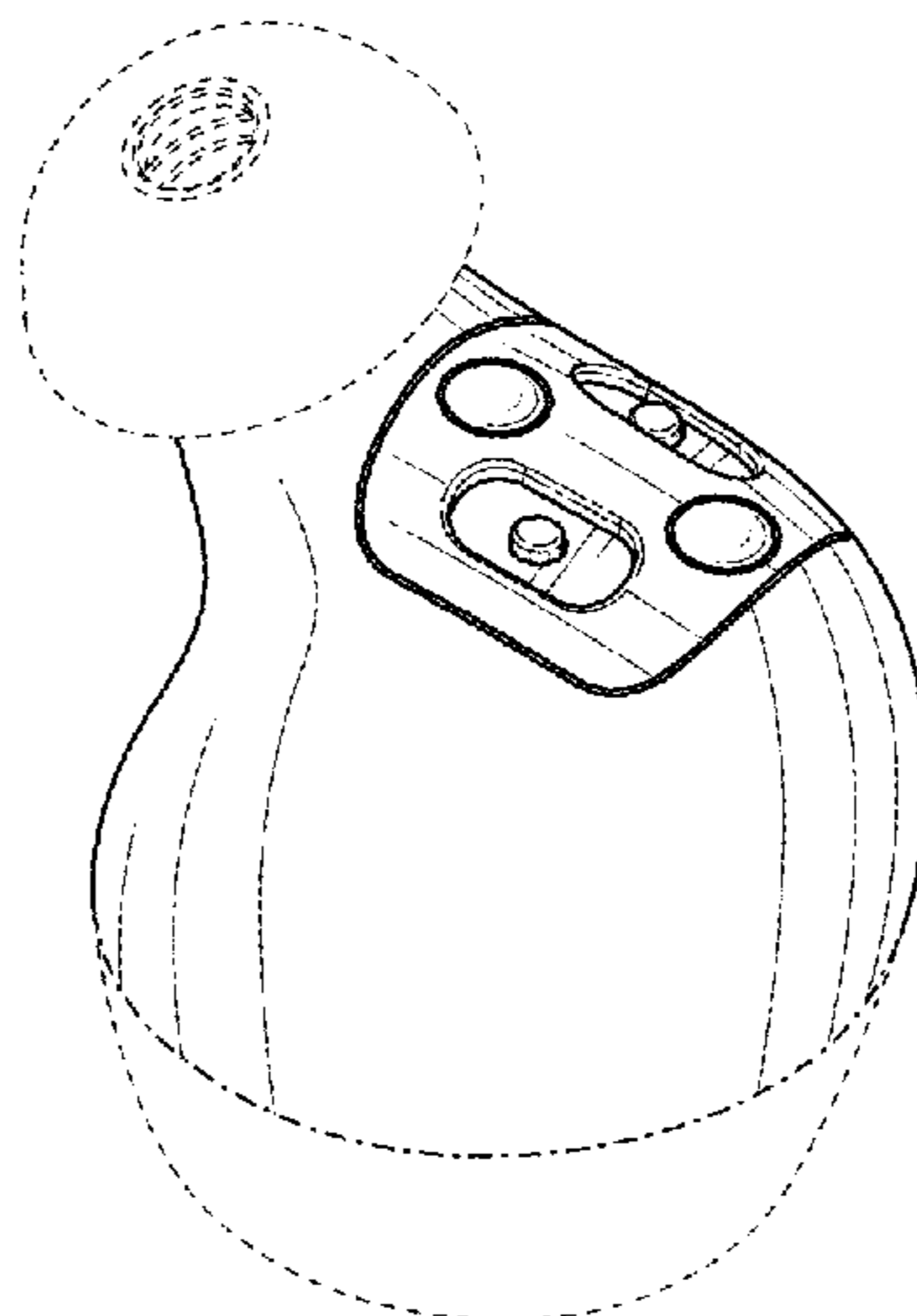
(57) **CLAIM**

The ornamental design for a headphone, as shown and described.

DESCRIPTION

FIG. 1 is a perspective view of a headphone in accordance with the present invention;
FIG. 2 is a top view thereof;
FIG. 3 is a bottom view thereof;
FIG. 4 is a left side view thereof;
FIG. 5 is a right side view thereof;
FIG. 6 is a rear view thereof; and,
FIG. 7 is a front view thereof.
The broken lines shown in FIGS. 1-7 illustrate portions of the headphone that form no part of the claimed design. The dash-dot lines shown in FIGS. 1-5 and FIG. 7 illustrate the boundaries of the claimed design.

1 Claim, 2 Drawing Sheets



(56)

References Cited

U.S. PATENT DOCUMENTS

4,375,016 A	2/1983	Harada		6,852,084 B1	2/2005	Boesen	
4,588,867 A	5/1986	Konomi		6,879,698 B2	4/2005	Boesen	
4,617,429 A *	10/1986	Bellafigliore	H04R 25/652	6,920,229 B2	7/2005	Boesen	
			264/222	6,952,483 B2	10/2005	Boesen et al.	
4,654,883 A	3/1987	Iwata		7,010,137 B1 *	3/2006	Leedom	A61B 5/6817
4,682,180 A	7/1987	Gans					381/322
4,791,673 A	12/1988	Schreiber		7,113,611 B2 *	9/2006	Leedom	H04R 25/608
4,852,177 A *	7/1989	Ambrose	H04R 1/1016				381/322
			181/135	D532,520 S *	11/2006	Kampmeier	D24/174
4,865,044 A	9/1989	Wallace et al.		7,136,282 B1	11/2006	Rebeske	
4,984,277 A *	1/1991	Bisgaard	H04R 25/654	D549,222 S *	8/2007	Huang	A61F 11/08
			381/322				D14/223
5,008,943 A *	4/1991	Arndt	H04R 25/65	D554,756 S *	11/2007	Sjursen	D24/174
			381/324	7,403,629 B1 *	7/2008	Aceti	H04R 25/656
5,185,802 A *	2/1993	Stanton	H04R 25/60				181/130
			181/129	D579,006 S *	10/2008	Kim	D14/223
5,191,602 A	3/1993	Regen et al.		D601,134 S *	9/2009	Elabidi	D14/223
5,201,007 A	4/1993	Ward et al.		D611,606 S	3/2010	Vaterlaus	
5,201,008 A *	4/1993	Arndt	H04R 25/602	D636,492 S	4/2011	Aquilina et al.	
			381/322	7,965,855 B1 *	6/2011	Ham	H04R 1/1091
D340,286 S *	10/1993	Seo	D24/174				181/130
5,280,524 A	1/1994	Norris		D647,491 S *	10/2011	Chen	D13/180
5,295,193 A	3/1994	Ono		D666,581 S *	9/2012	Perez	D14/223
5,298,692 A	3/1994	Ikeda et al.		8,406,448 B2 *	3/2013	Lin	H04R 1/1091
5,343,532 A	8/1994	Shugart					381/332
5,347,584 A *	9/1994	Narisawa	H04R 25/602	D687,021 S *	7/2013	Yuen	D14/223
			381/323	D687,952 S	8/2013	Dubs	
5,363,444 A	11/1994	Norris		D698,761 S	2/2014	Bao	
D367,113 S *	2/1996	Weeks	D24/174	8,774,434 B2 *	7/2014	Zhao	H04R 25/656
5,497,339 A	3/1996	Bernard					381/328
5,606,621 A	2/1997	Reiter et al.		8,831,266 B1 *	9/2014	Huang	H04R 1/1091
5,613,222 A	3/1997	Guenther					381/370
5,654,530 A *	8/1997	Sauer	H04R 25/652	D720,075 S	12/2014	Soeta et al.	
			181/130	D725,626 S	3/2015	Kalhok	
5,692,059 A	11/1997	Kruger		D728,107 S *	4/2015	Torres Martin	D24/174
5,721,783 A	2/1998	Anderson		D733,103 S *	6/2015	Jeong	D14/224
5,748,743 A *	5/1998	Weeks	H04R 25/654	D734,472 S	7/2015	Meinertz	
			381/312	D735,339 S	7/2015	Meinertz	
5,749,072 A	5/1998	Mazurkiewicz et al.		D744,456 S	12/2015	Pedersen	
5,771,438 A	6/1998	Palermo et al.		D770,426 S	11/2016	LaBerge et al.	
D397,796 S *	9/1998	Yabe	D24/174	D773,439 S *	12/2016	Walker	D14/205
5,802,167 A	9/1998	Hong		D775,158 S *	12/2016	Dong	D14/485
D410,008 S *	5/1999	Almqvist	D14/223	D777,149 S	1/2017	Bonahoom et al.	
5,929,774 A	7/1999	Charlton		D777,710 S *	1/2017	Palmborg	D14/223
5,933,506 A	8/1999	Aoki et al.		D788,079 S *	5/2017	Son	D14/223
5,949,896 A	9/1999	Nageno et al.		2001/0005197 A1	6/2001	Mishra et al.	
5,987,146 A	11/1999	Pluinage et al.		2001/0027121 A1	10/2001	Boesen	
6,021,207 A	2/2000	Puthuff et al.		2001/0043707 A1 *	11/2001	Leedom	H04R 25/608
6,054,989 A	4/2000	Robertson et al.					381/312
6,081,724 A	6/2000	Wilson		2001/0056350 A1	12/2001	Calderone et al.	
6,094,492 A	7/2000	Boesen		2002/0002413 A1	1/2002	Tokue	
6,111,569 A	8/2000	Brusky et al.		2002/0007510 A1	1/2002	Mann	
6,112,103 A	8/2000	Puthuff		2002/0010590 A1	1/2002	Lee	
6,157,727 A	12/2000	Rueda		2002/0030637 A1	3/2002	Mann	
6,167,039 A	12/2000	Karlsson et al.		2002/0046035 A1	4/2002	Kitahara et al.	
6,181,801 B1	1/2001	Puthuff et al.		2002/0057810 A1	5/2002	Boesen	
6,208,372 B1	3/2001	Barracough		2002/0076073 A1	6/2002	Taenzer et al.	
6,275,789 B1	8/2001	Moser et al.		2003/0065504 A1	4/2003	Kraemer et al.	
6,339,754 B1	1/2002	Flanagan et al.		2003/0100331 A1	5/2003	Dress et al.	
D455,835 S *	4/2002	Anderson	D24/174	2003/0104806 A1	6/2003	Ruef et al.	
D464,039 S	10/2002	Boesen		2003/0115068 A1	6/2003	Boesen	
6,470,893 B1	10/2002	Boesen		2003/0218064 A1	11/2003	Conner et al.	
D468,299 S	1/2003	Boesen		2004/0070564 A1	4/2004	Dawson et al.	
D468,300 S	1/2003	Boesen		2004/0160511 A1	8/2004	Boesen	
6,560,468 B1	5/2003	Boesen		2005/0125320 A1	6/2005	Boesen	
6,654,721 B2	11/2003	Handelman		2005/0165663 A1	7/2005	Razumov	
6,664,713 B2	12/2003	Boesen		2005/0251455 A1	11/2005	Boesen	
6,690,807 B1 *	2/2004	Meyer	G02C 5/143	2005/0266876 A1	12/2005	Boesen	
			2/12	2006/0074671 A1	4/2006	Farmaner et al.	
6,694,180 B1	2/2004	Boesen		2006/0074808 A1	4/2006	Boesen	
6,738,485 B1	5/2004	Boesen		2008/0254780 A1	10/2008	Kuhl et al.	
6,748,095 B1	6/2004	Goss		2009/0245559 A1 *	10/2009	Boltyenkov	H04R 25/652
6,784,873 B1	8/2004	Boesen et al.					381/328
6,823,195 B1	11/2004	Boesen		2017/0111726 A1 *	4/2017	Martin	G06F 3/04883
				2017/0155992 A1 *	6/2017	Perianu	H04R 1/1016

(56)

References Cited

U.S. PATENT DOCUMENTS

FOREIGN PATENT DOCUMENTS

JP	06292195	10/1998
WO	2014043179 A2	3/2014
WO	2015110577 A1	7/2015
WO	2015110587 A1	7/2015

OTHER PUBLICATIONS

Bragi is on Facebook (2014).
 Bragi Update—Arrival of Prototype Chassis Parts—More People—Awesomeness (May 13, 2014).
 Bragi Update—Chinese New Year, Design Verification, Charging Case, More People, Timeline(Mar. 6, 2015).
 Bragi Update—First Sleeves From Prototype Tool—Software Development Kit (Jun. 5, 2014).
 Bragi Update—Let’s Get Ready to Rumble, A Lot to Be Done Over Christmas (Dec. 22, 2014).
 Bragi Update—Memories from May—Update on Progress—Sweet (Oct. 13, 2014).
 Bragi Update—Memories From One Month Before Kickstarter—Update on Progress (Jul. 10, 2014).
 Bragi Update—Memories From the First Month of Kickstarter—Update on Progress (Aug. 1, 2014).
 Bragi Update—Memories From the Second Month of Kickstarter—Update on Progress (Aug. 22, 2014).
 Bragi Update—New People @Bragi—Prototypes (Jun. 26, 2014).
 Bragi Update—Office Tour, Tour to China, Tour to CES (Dec. 11, 2014).
 Bragi Update—Status on Wireless, Bits and Pieces, Testing-Oh Yeah, Timeline(Apr. 24, 2015).
 Bragi Update—The App Preview, The Charger, The SDK, Bragi Funding and Chinese New Year (Feb. 11, 2015).

Bragi Update—What We Did Over Christmas, Las Vegas & CES (Jan. 19, 2014).
 Bragi Update—Years of Development, Moments of Utter Joy and Finishing What We Started(Jun. 5, 2015).
 Bragi Update—Alpha 5 and Back to China, Backer Day, on Track(May 16, 2015).
 Bragi Update—Beta2 Production and Factory Line(Aug. 20, 2015).
 Bragi Update—Certifications, Production, Ramping Up(Nov. 13, 2015).
 Bragi Update—Developer Units Shipping and Status(Oct. 5, 2015).
 Bragi Update—Developer Units Started Shipping and Status (Oct. 19, 2015).
 Bragi Update—Developer Units, Investment, Story and Status(Nov. 2, 2015).
 Bragi Update—Getting Close(Aug. 6, 2014).
 Bragi Update—On Track, Design Verification, How It Works and What’s Next(Jul. 15, 2015).
 Bragi Update—On Track, On Track and Gems Overview(Jun. 24, 2015).
 Bragi Update—Status on Wireless, Supply, Timeline and Open House@Bragi (Apr. 1, 2015).
 Bragi Update—Unpacking Video, Reviews on Audio Perform and Boy Are We Getting Close(Sep. 10, 2015).
 Last Push Before The Kickstarter Campaign Ends on Monday 4pm CET (Mar. 28, 2014).
 Staab, Wayne J., et al., “A One-Size Disposable Hearing Aid is Introduced”, The Hearing Journal 53(4):36-41) Apr. 2000.
 Stretchgoal—It’s Your Dash (Feb. 14, 2014).
 Stretchgoal—The Carrying Case for the Dash (Feb. 12, 2014).
 Stretchgoal—Windows Phone Support (Feb. 17, 2014).
 The Dash + The Charging Case & The Bragi News (Feb. 21, 2014).
 The Dash—A Word From Our Software, Mechanical and Acoustics Team + An Update (Mar. 11, 2014).
 Update From Bragi—\$3,000,000—Yipee (Mar. 22, 2014).

* cited by examiner

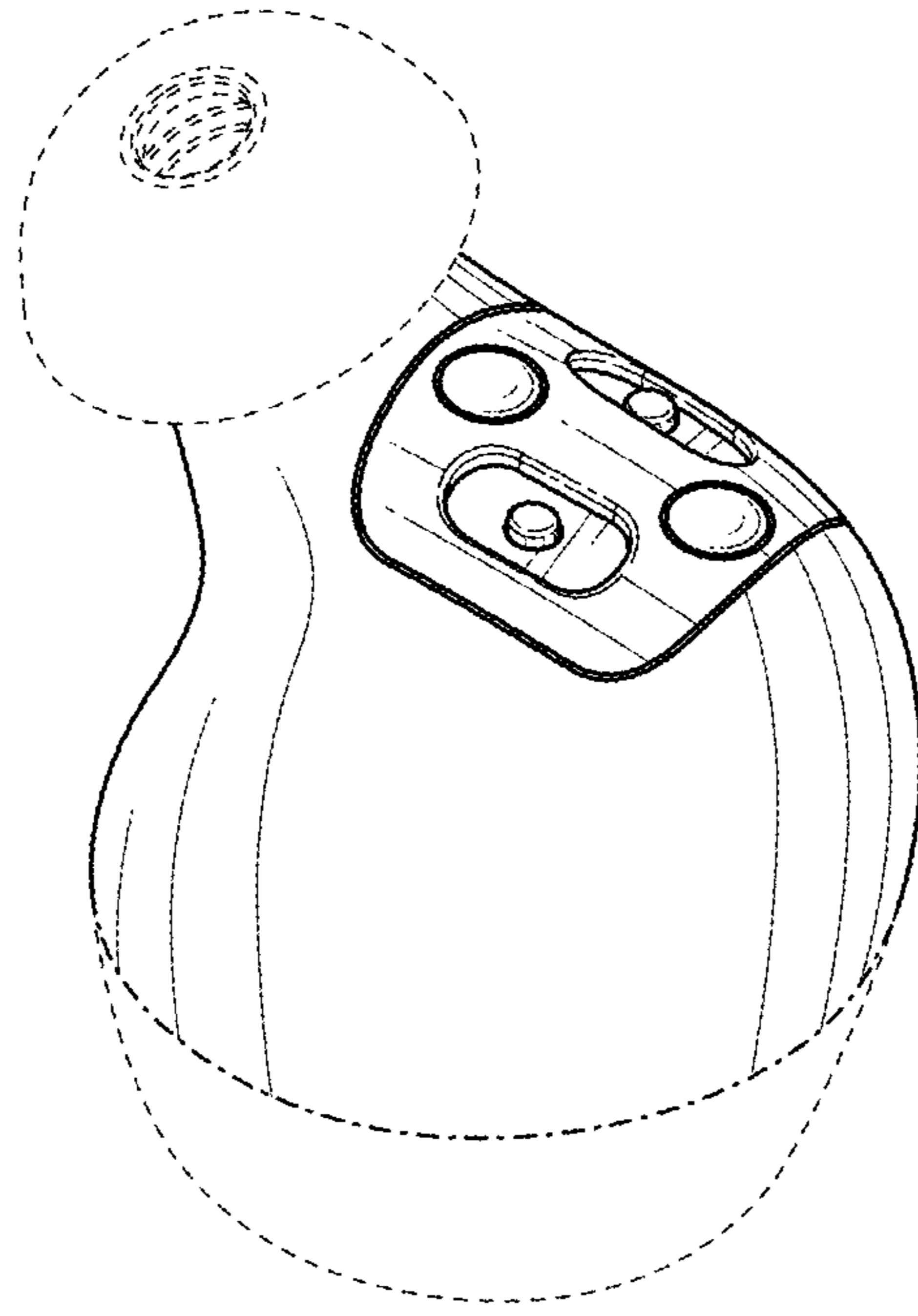


FIG. 1

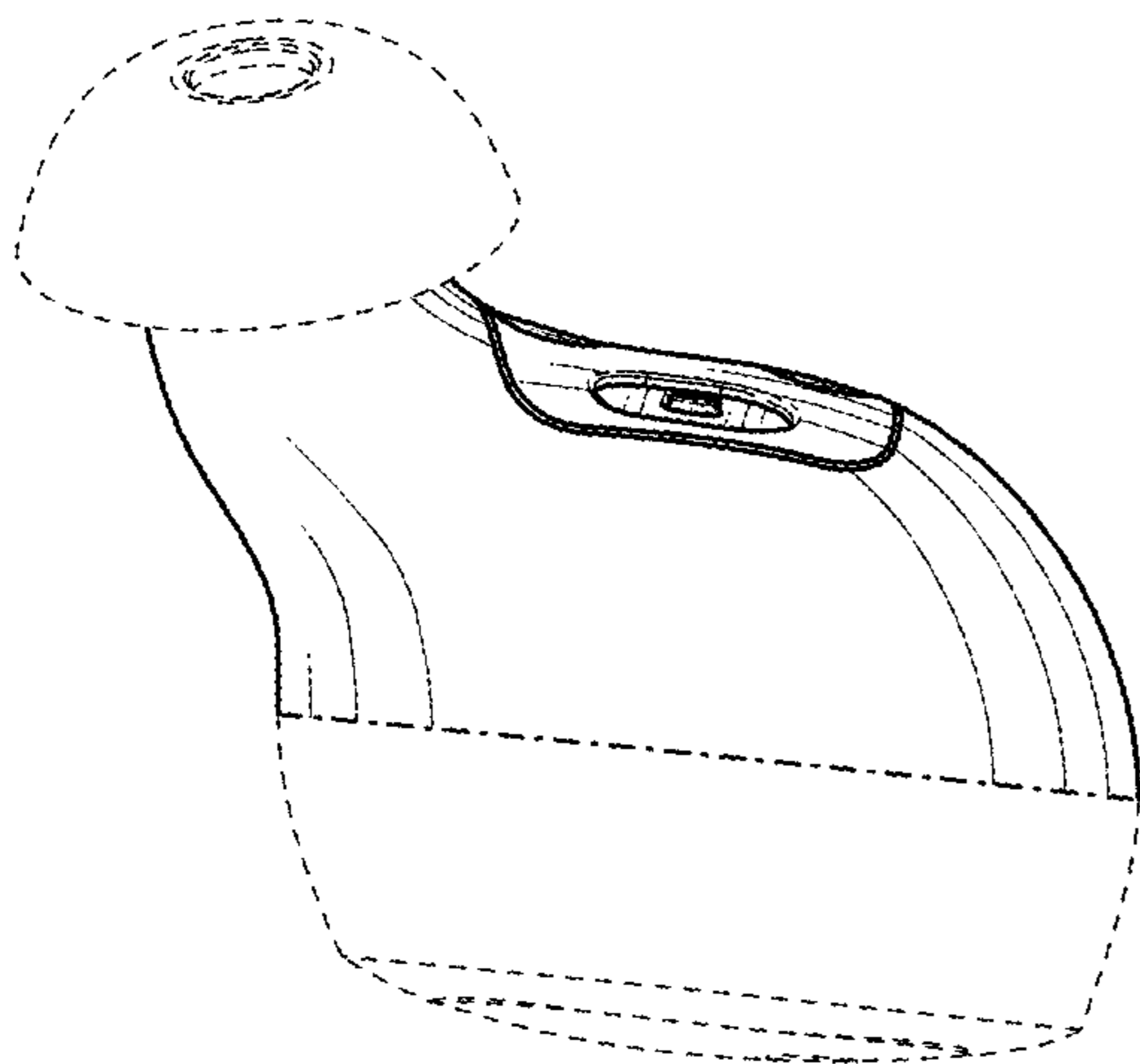


FIG. 2

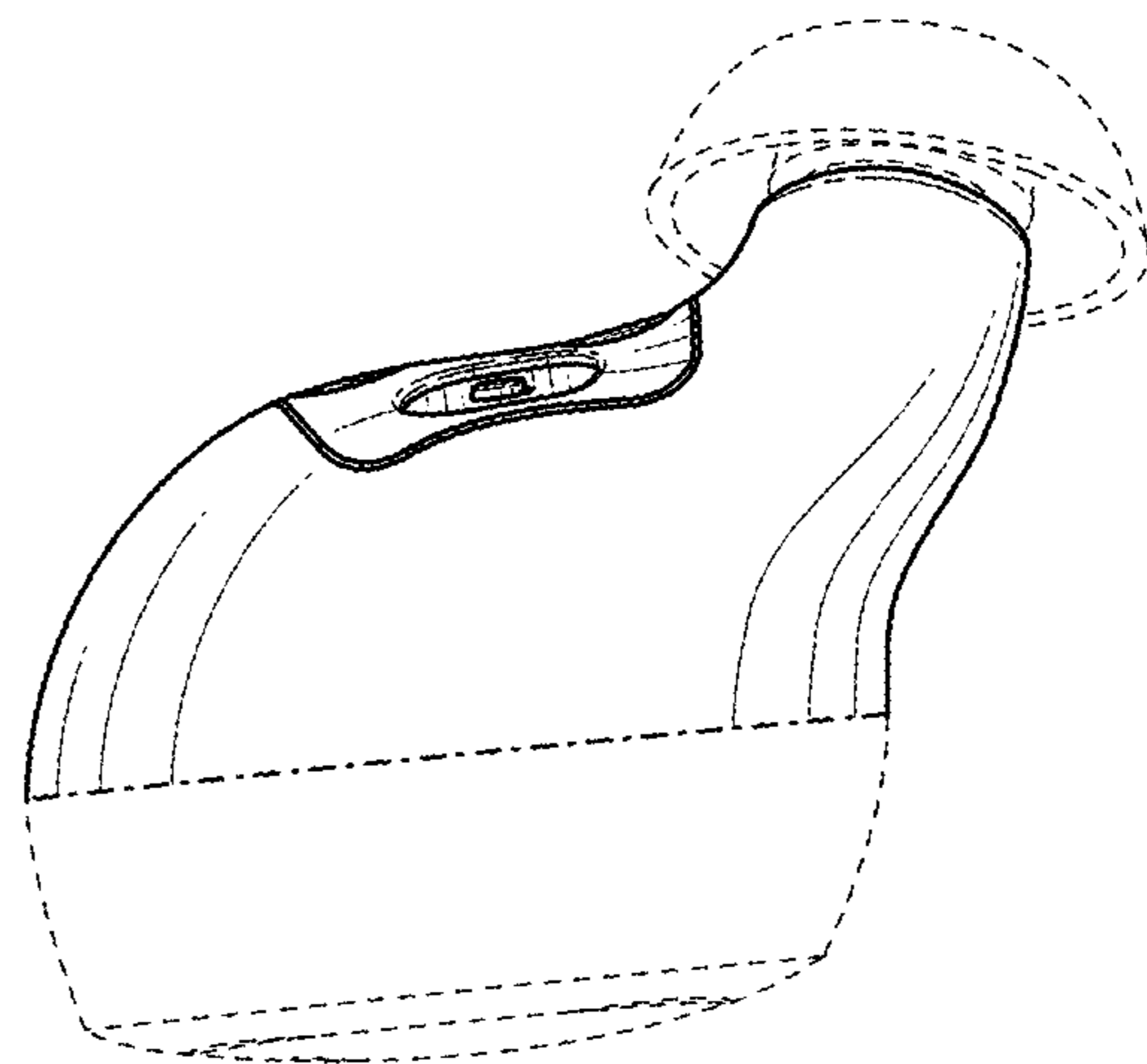


FIG. 3

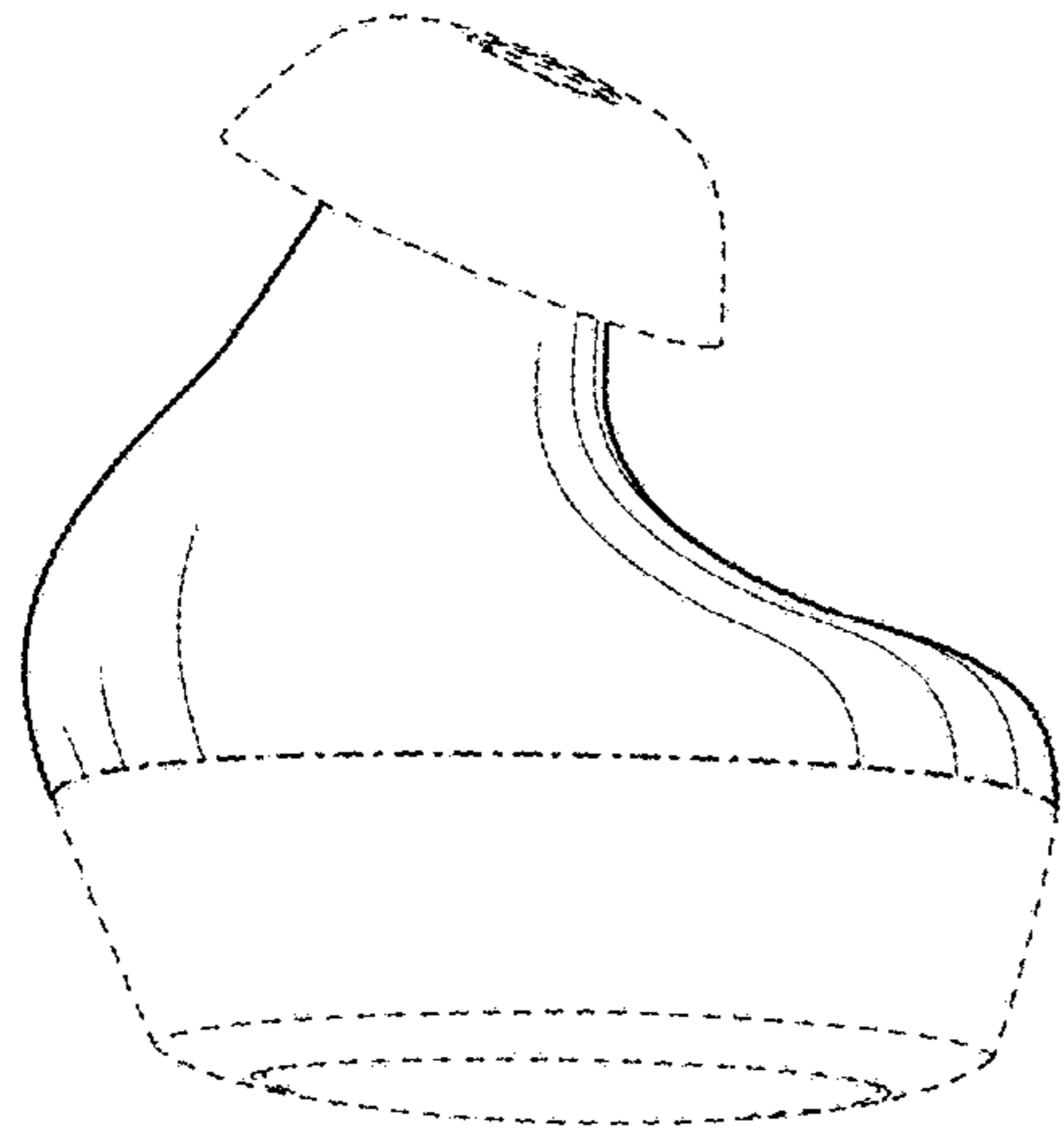


FIG. 4

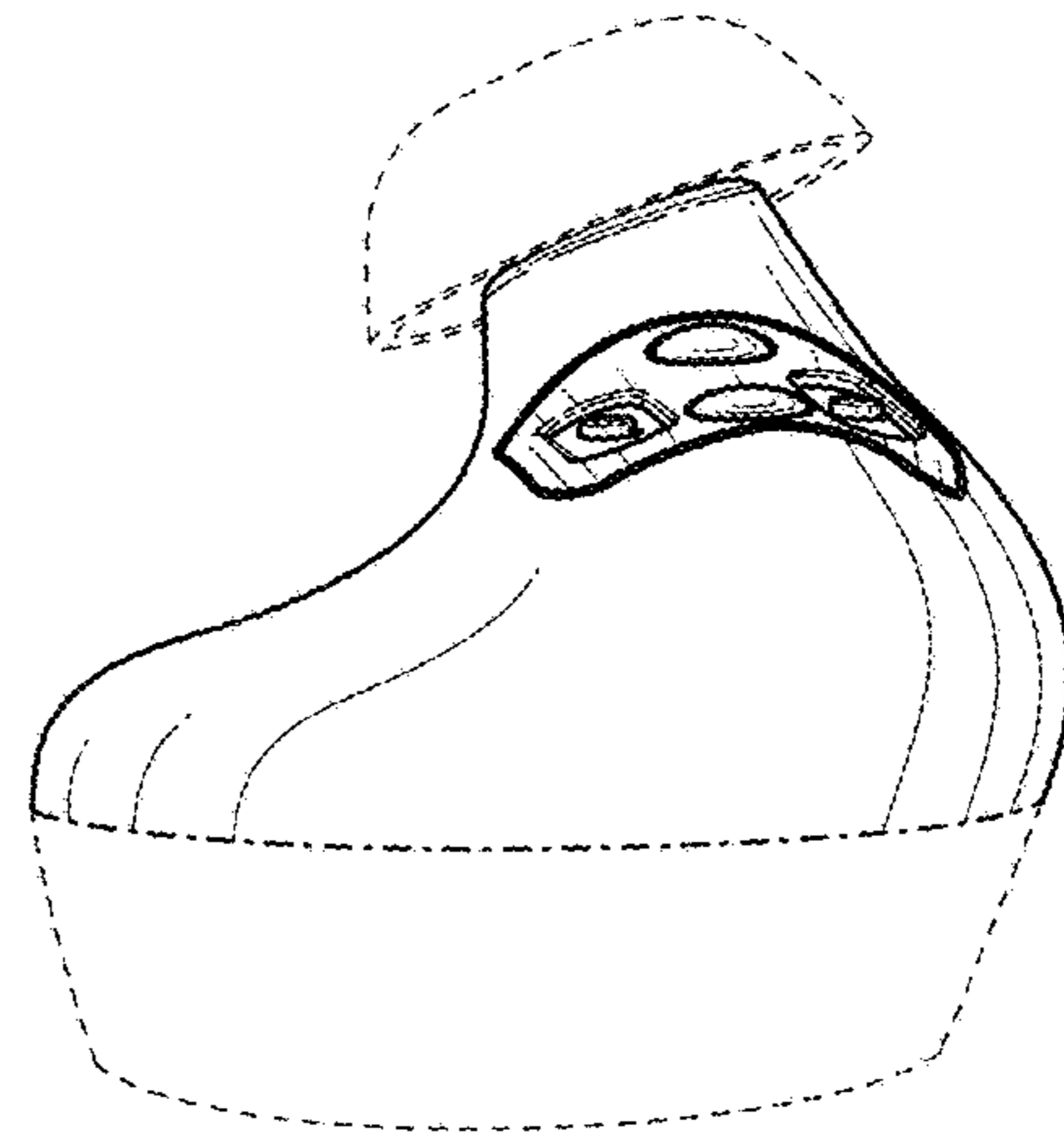


FIG. 5

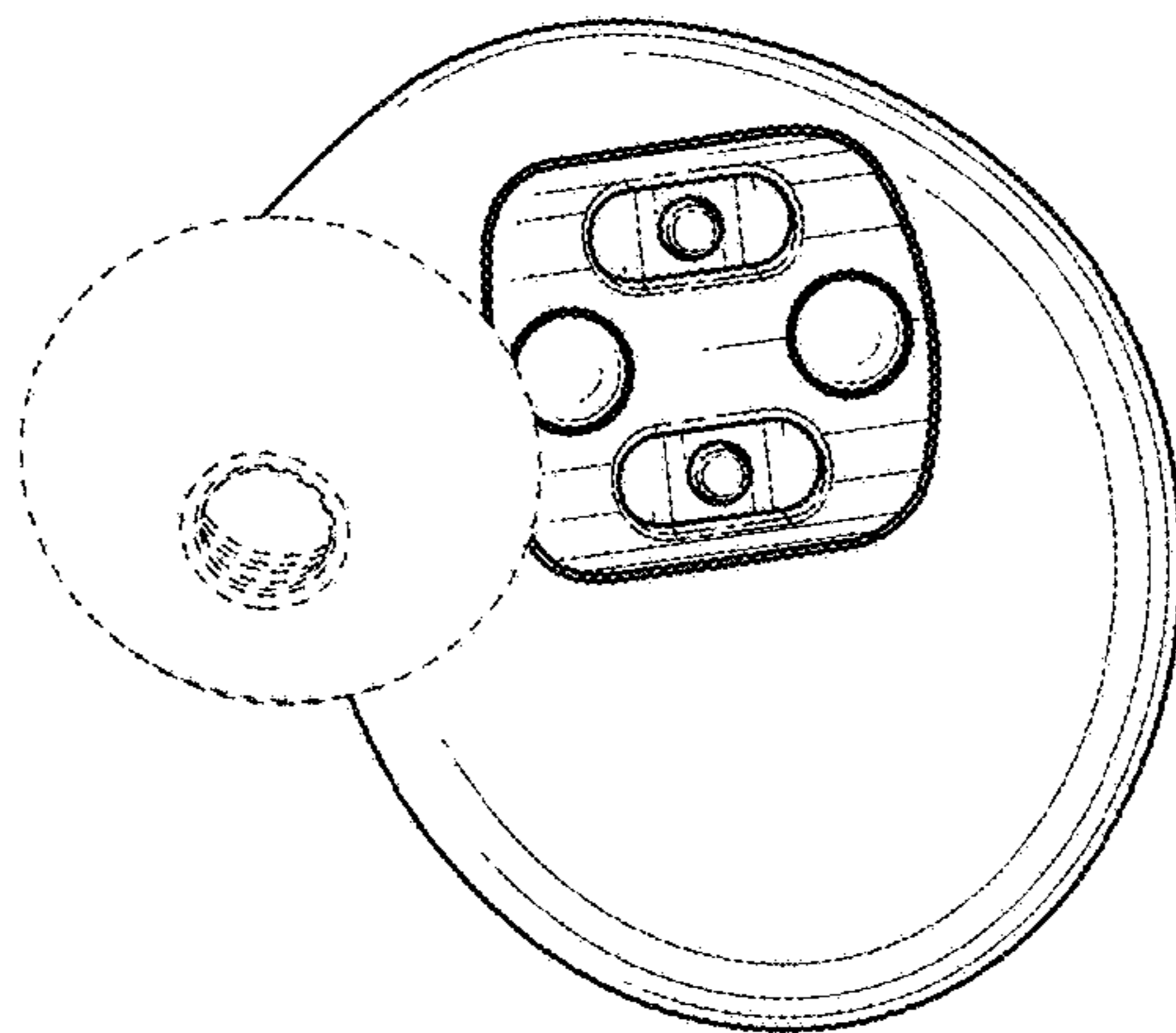


FIG. 6

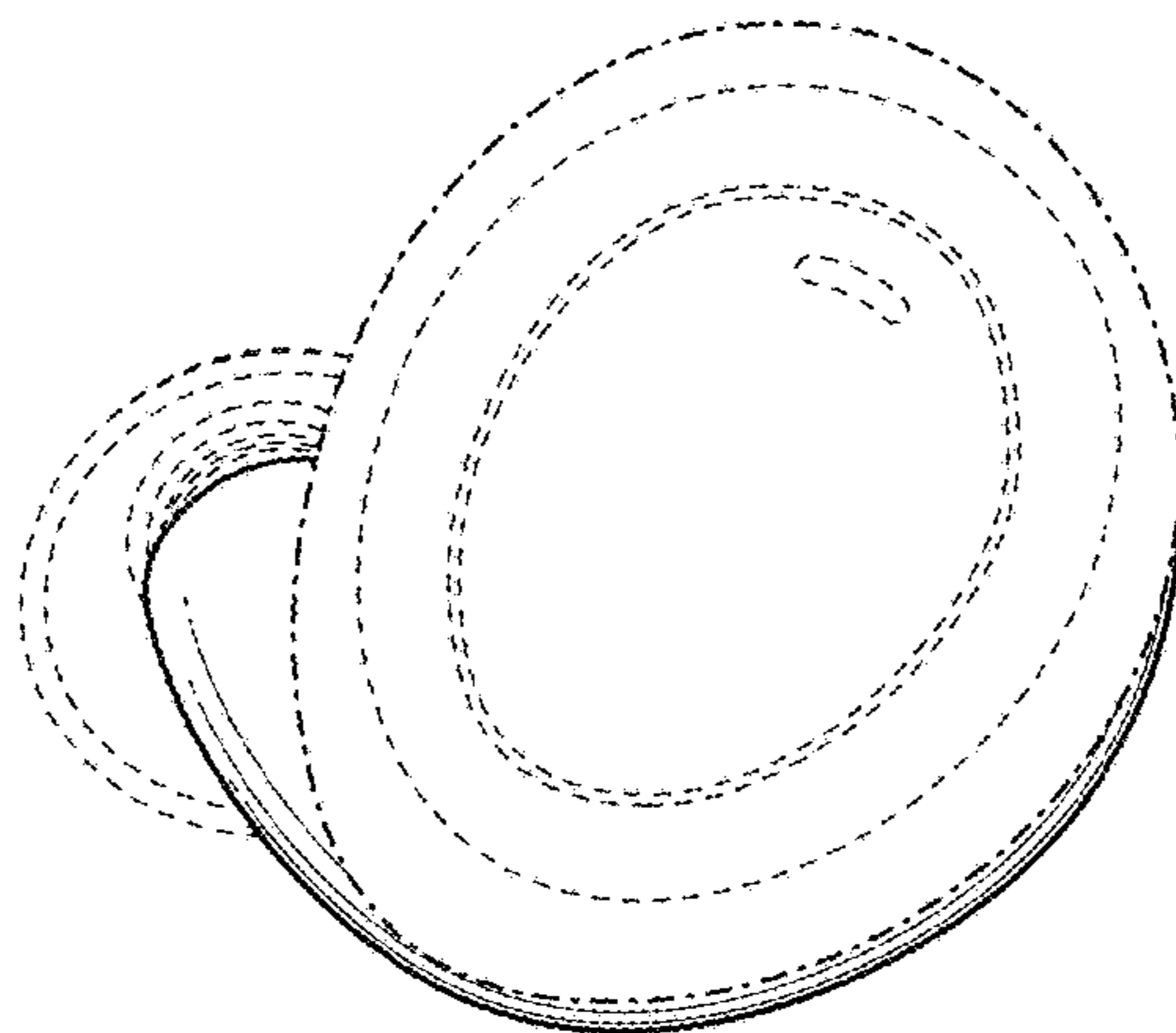


FIG. 7