



US00D836088S

(12) **United States Design Patent**
Ivey et al.

(10) **Patent No.:** **US D836,088 S**

(45) **Date of Patent:** **** Dec. 18, 2018**

(54) **SLEEK CEILING SPEAKER**

(71) Applicant: **Mitek Corp., Inc.**, Phoenix, AZ (US)

(72) Inventors: **Johnathan Ivey**, Chandler, AZ (US);
Kevin Sykes, Phoenix, AZ (US)

(73) Assignee: **Mitek Corp., Inc.**, Phoenix, AZ (US)

(**) Term: **15 Years**

(21) Appl. No.: **29/574,478**

(22) Filed: **Aug. 16, 2016**

(51) **LOC (11) Cl.** **14-03**

(52) **U.S. Cl.**
USPC **D14/215**

(58) **Field of Classification Search**
USPC D14/204, 209.1, 210, 211, 212, 213-217,
D14/221, 224
CPC ... H04R 1/26; H04R 5/00; H04R 5/02; H04R
1/02; H04R 1/28; H04R 7/26; H04R
25/00; H05K 5/00

See application file for complete search history.

(56) **References Cited**

U.S. PATENT DOCUMENTS

D285,067 S *	8/1986	Delbuck	D14/209
D341,592 S *	11/1993	Queen	D14/209
D600,676 S *	9/2009	Maurer	D14/209
D656,920 S *	4/2012	Chen	D14/214
D727,295 S *	4/2015	Gan	D14/214
D796,978 S *	9/2017	Kawashima	D10/80
D817,926 S *	5/2018	Warden	D14/214
D826,206 S *	8/2018	Elmieh	D14/204

* cited by examiner

Primary Examiner — Michael A. Pratt

(74) *Attorney, Agent, or Firm* — Keith L. Jenkins; Keith L. Jenkins, Registered Patent Attorney, LLC

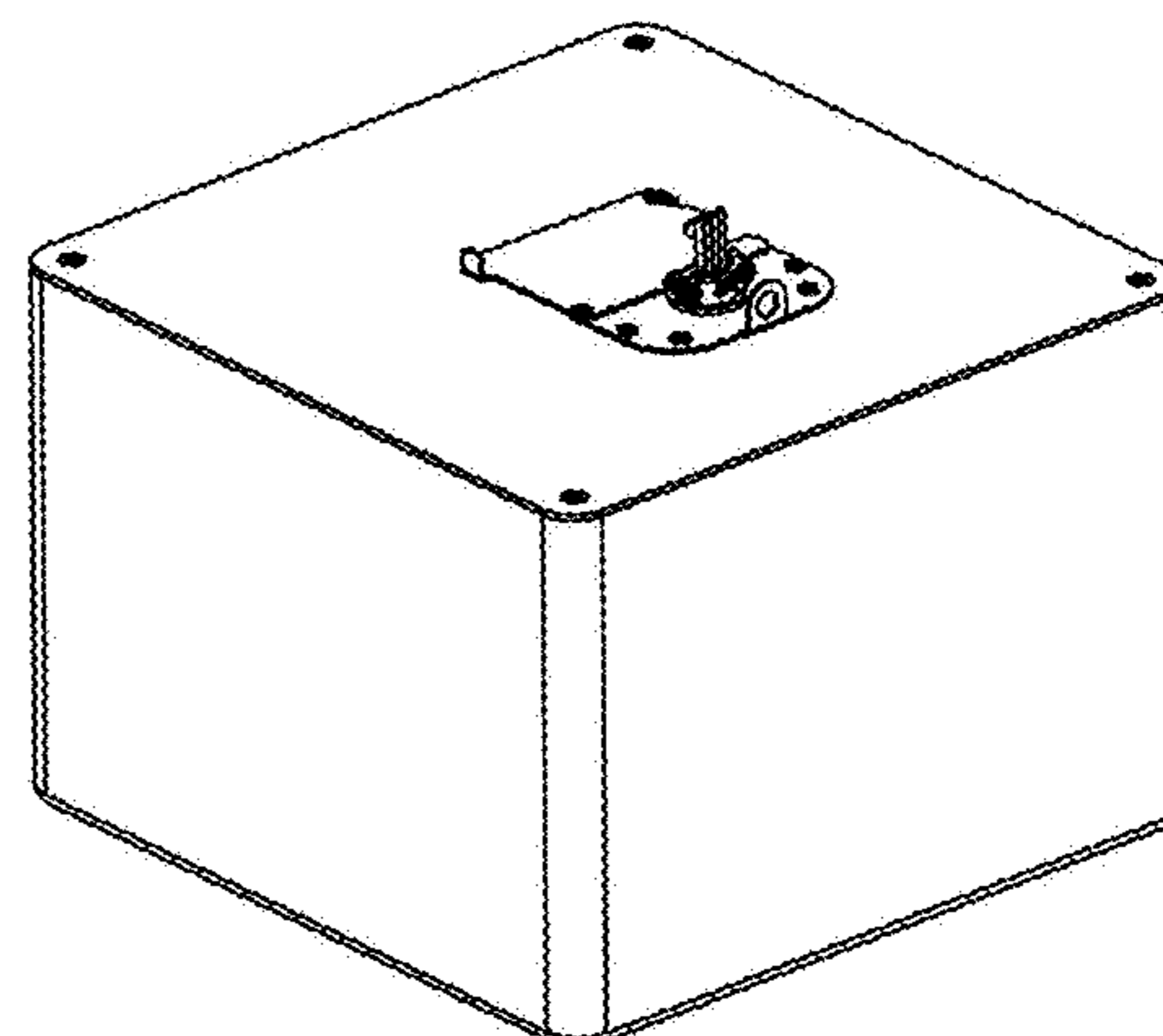
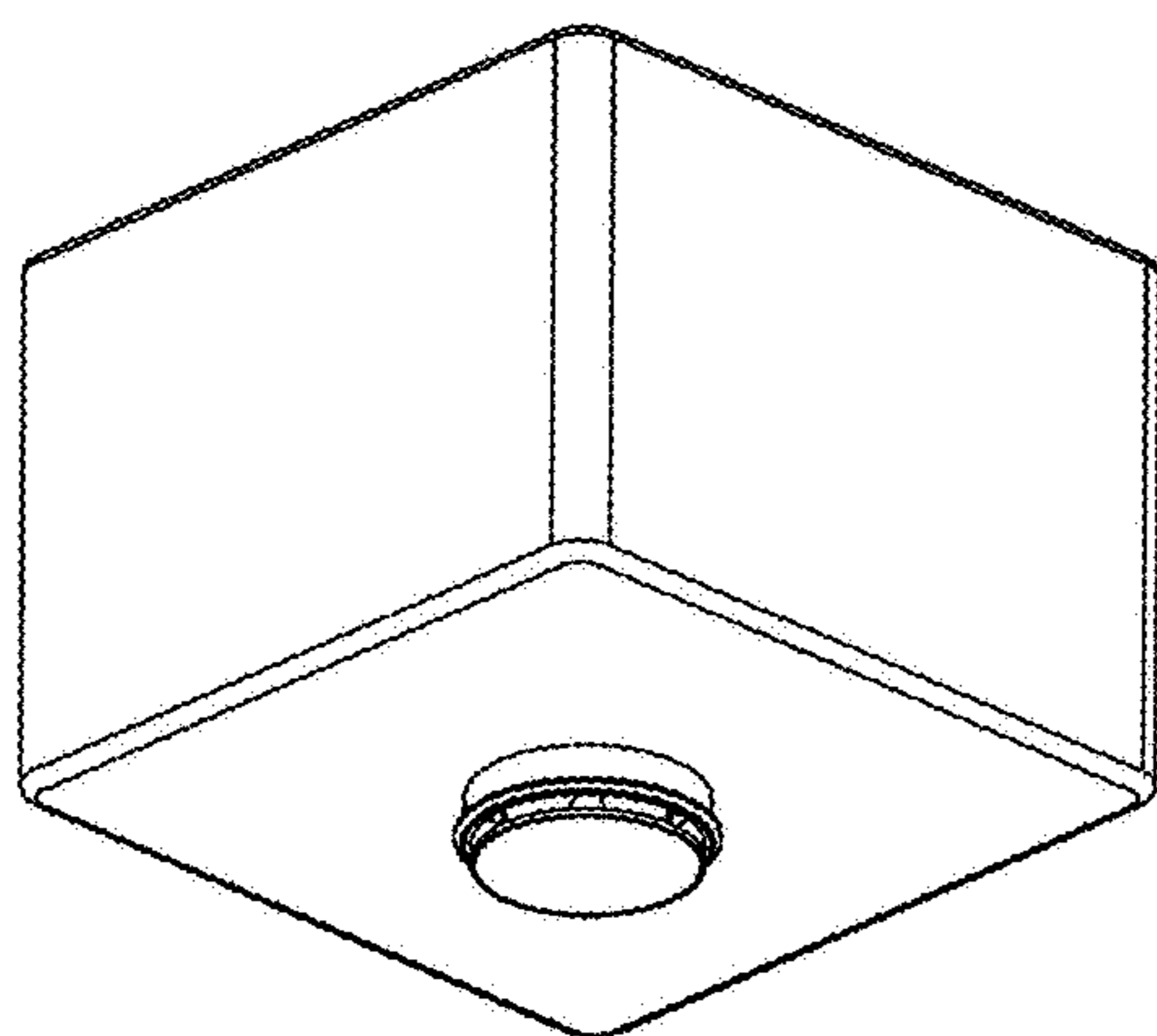
(57) **CLAIM**

We claim the ornamental design for a sleek ceiling speaker, as shown and described.

DESCRIPTION

FIG. 1 is a bottom-side perspective view illustrating our ornamental design for the sleek ceiling speaker;
 FIG. 2 is a top-side perspective view illustrating our ornamental design for the sleek ceiling speaker;
 FIG. 3 is a bottom plan view illustrating our ornamental design for the sleek ceiling speaker
 FIG. 4 is a top plan view illustrating our ornamental design for the sleek ceiling speaker;
 FIG. 5 is a left-side elevation view illustrating our ornamental design for the sleek ceiling speaker;
 FIG. 6 is a rear elevation view illustrating our ornamental design for the sleek ceiling speaker;
 FIG. 7 is a right-side elevation view illustrating our ornamental design for the sleek ceiling speaker;
 FIG. 8 is a front elevation view illustrating our ornamental design for the sleek ceiling speaker; and,
 FIG. 9 is a front elevation view illustrating our ornamental design for the sleek ceiling speaker installed on a ceiling tile (shown in dashed lines).
 The broken line showing of broken lines in FIG. 9 is included for the purpose of illustrating environment and forms no part of the claimed design.

1 Claim, 9 Drawing Sheets



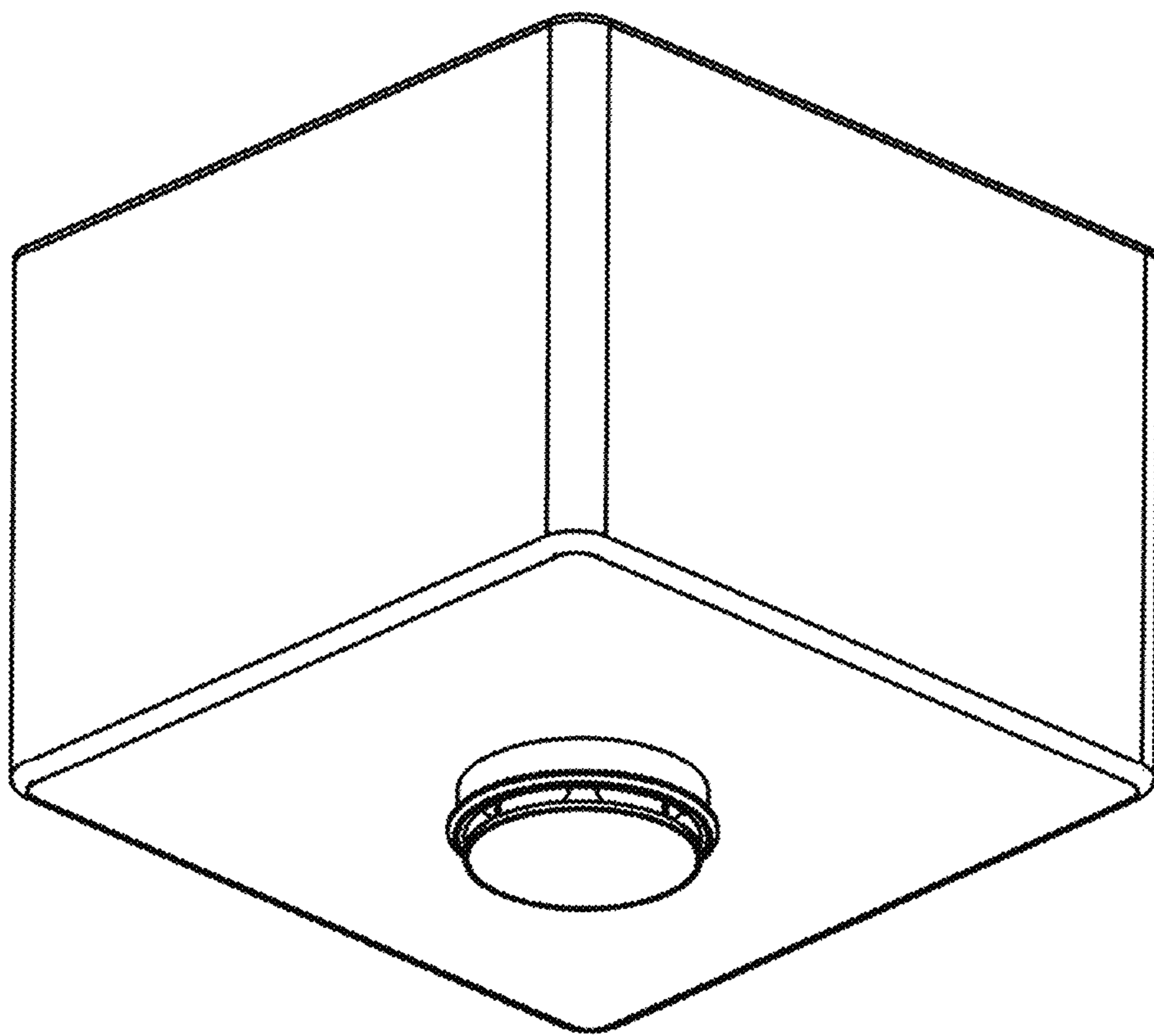


FIG. 1

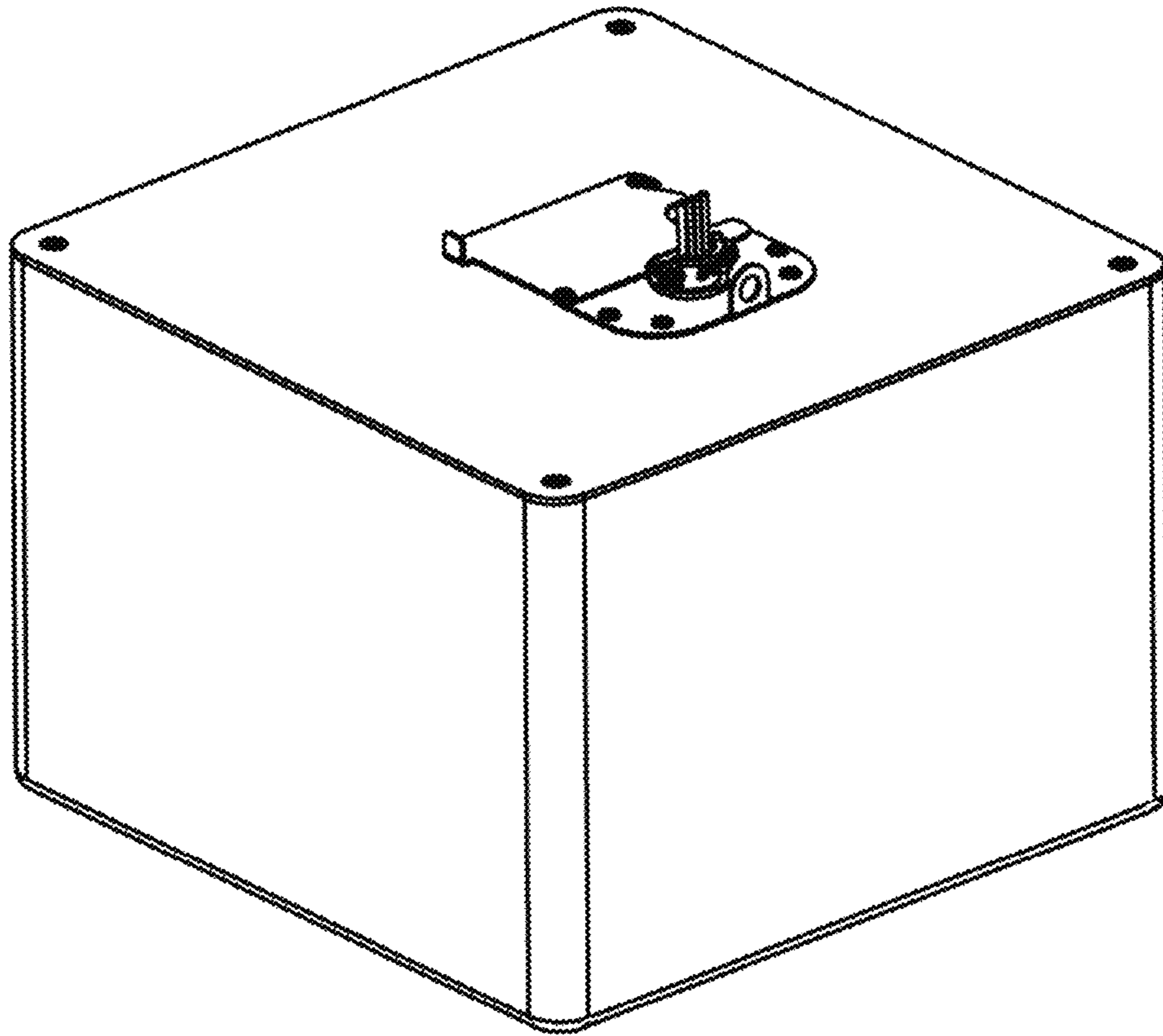


FIG. 2

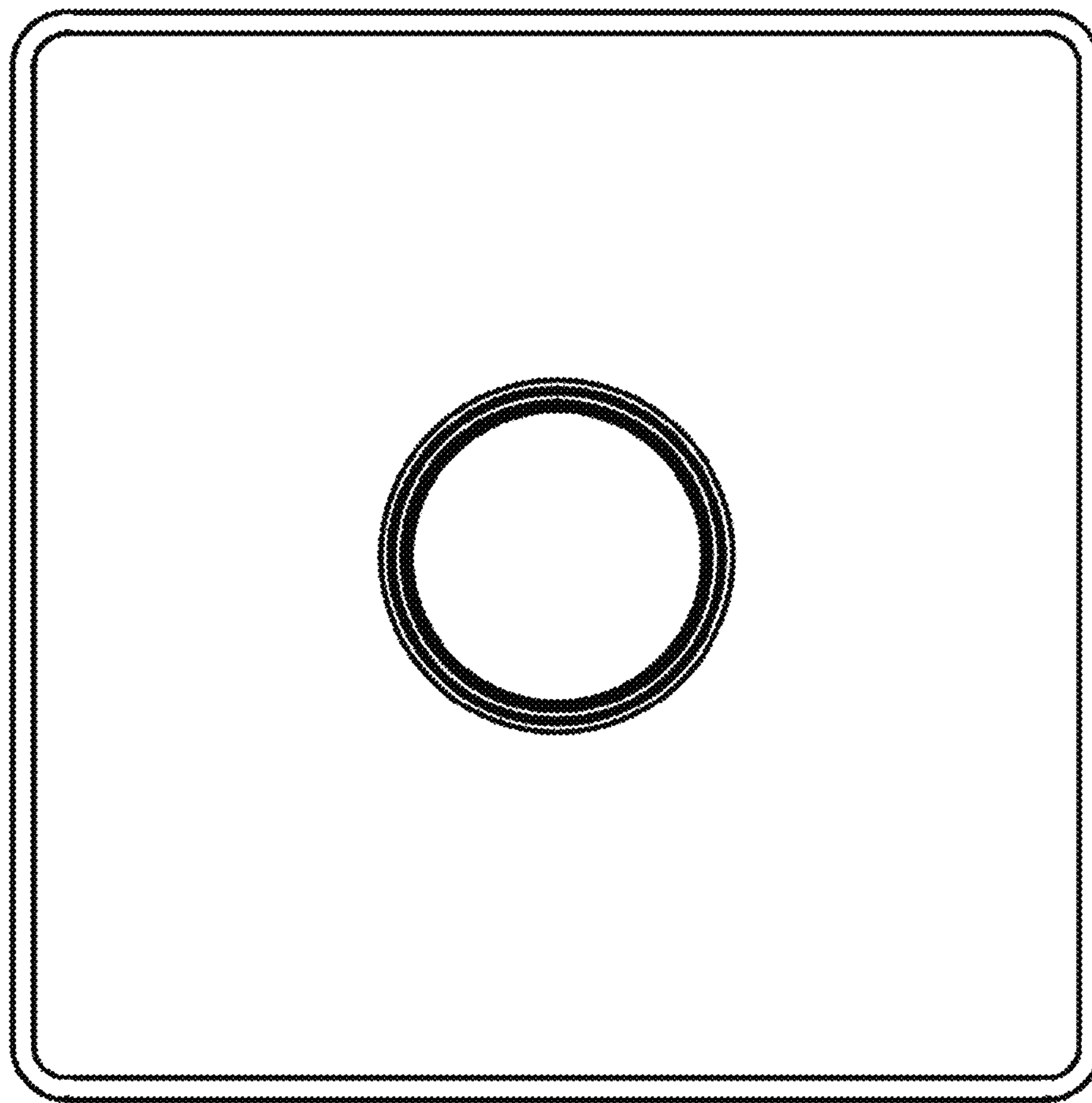


FIG. 3

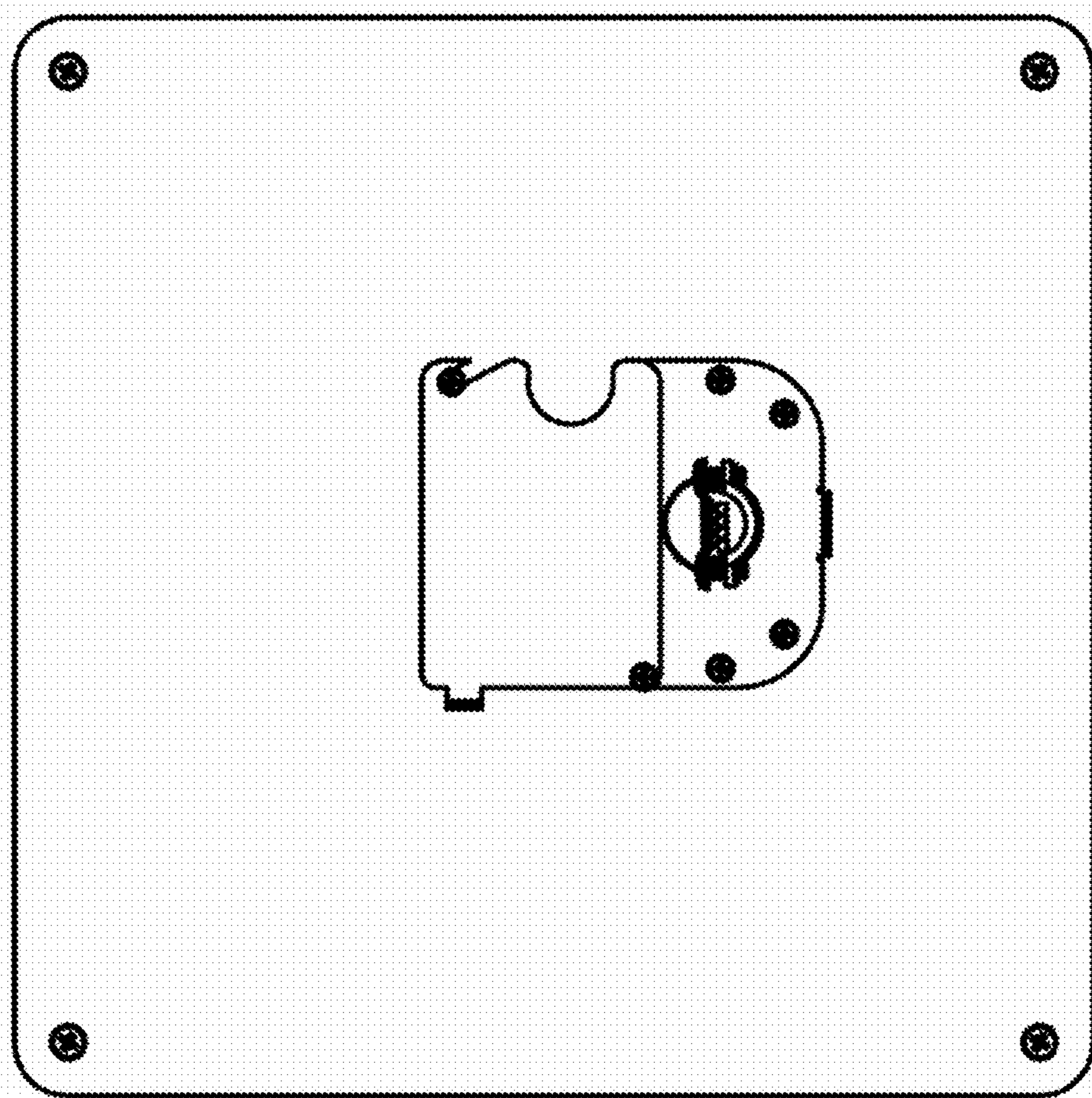


FIG. 4

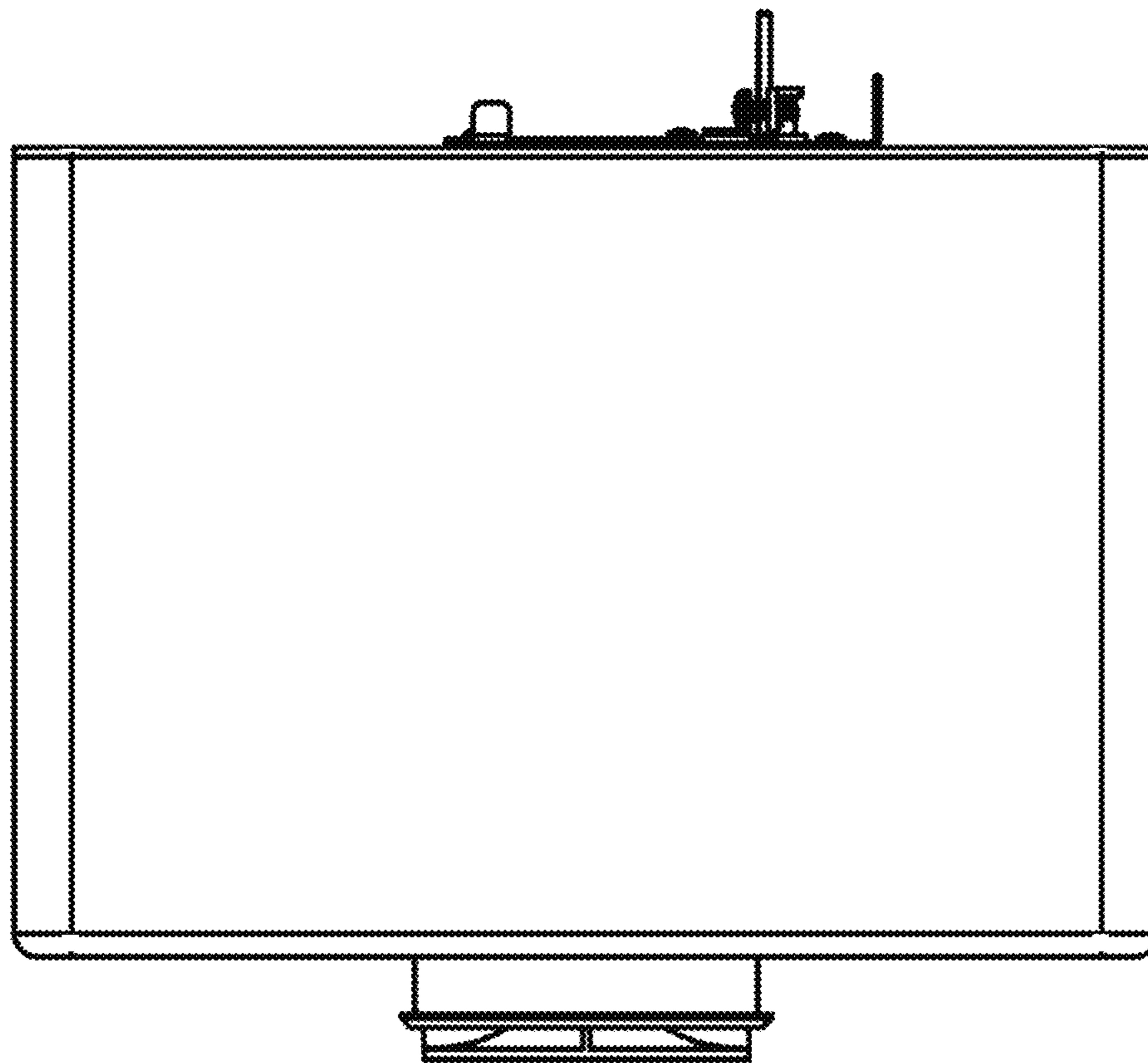


FIG. 5

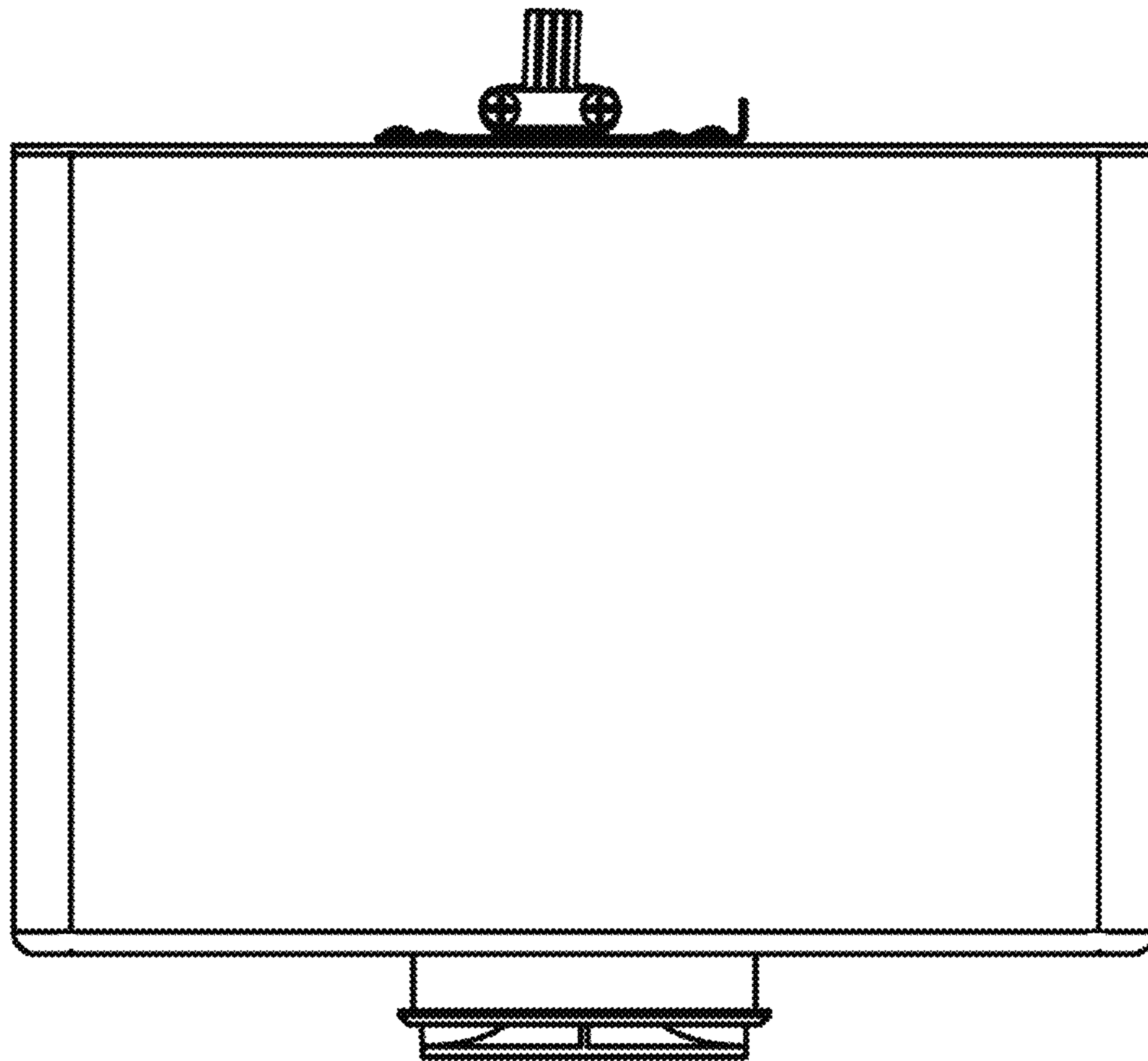


FIG. 6

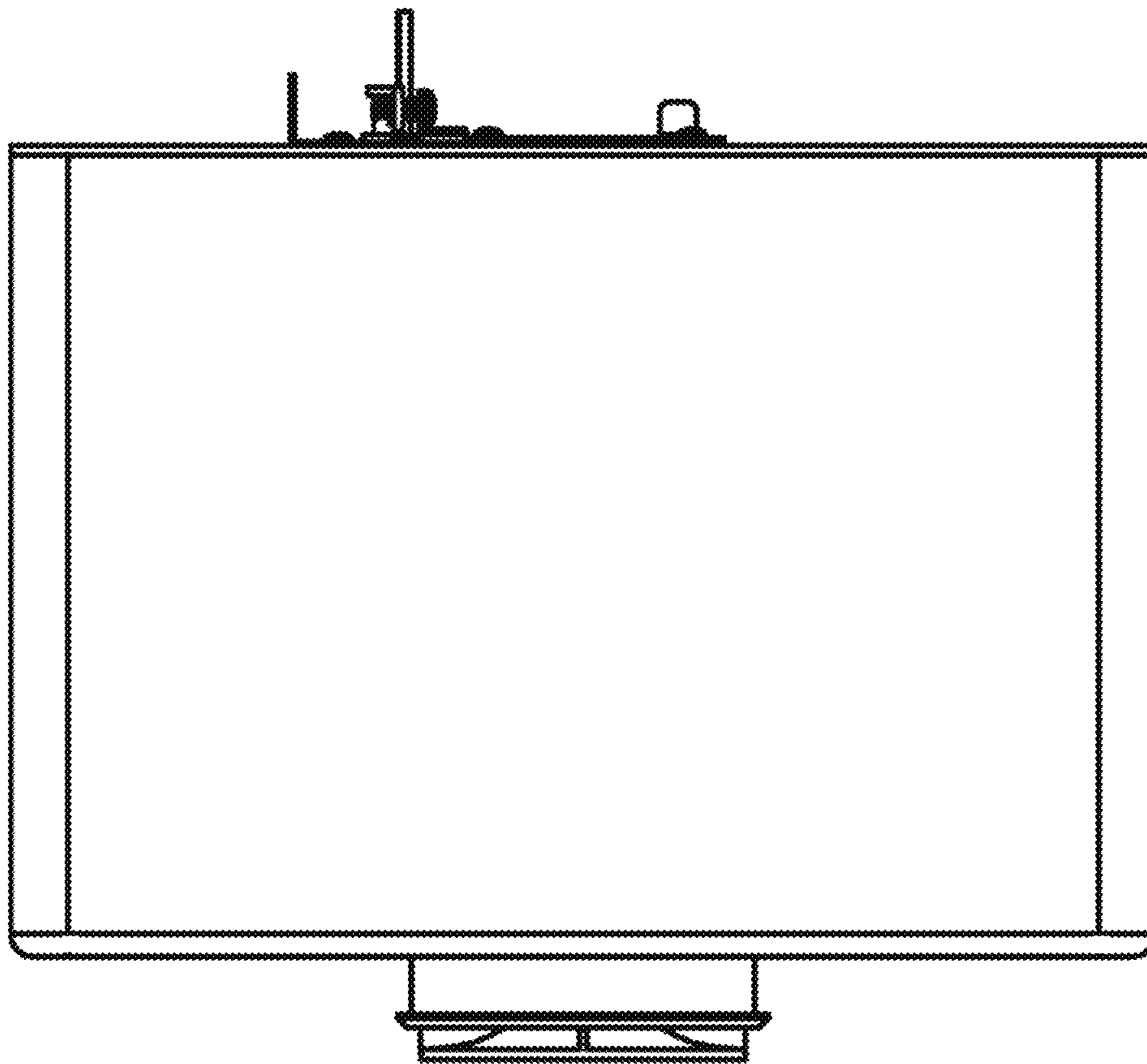


FIG. 7

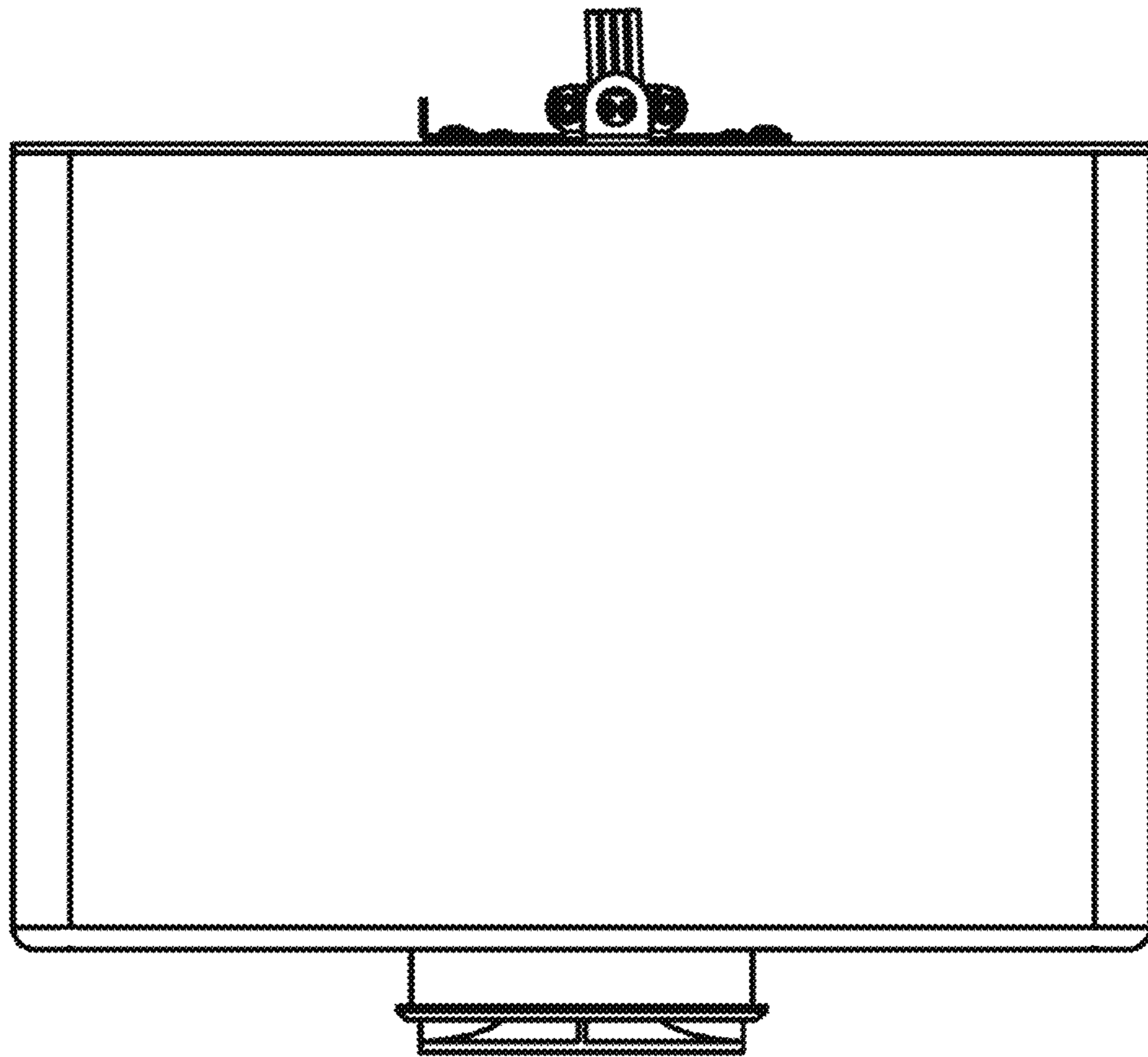


FIG. 8

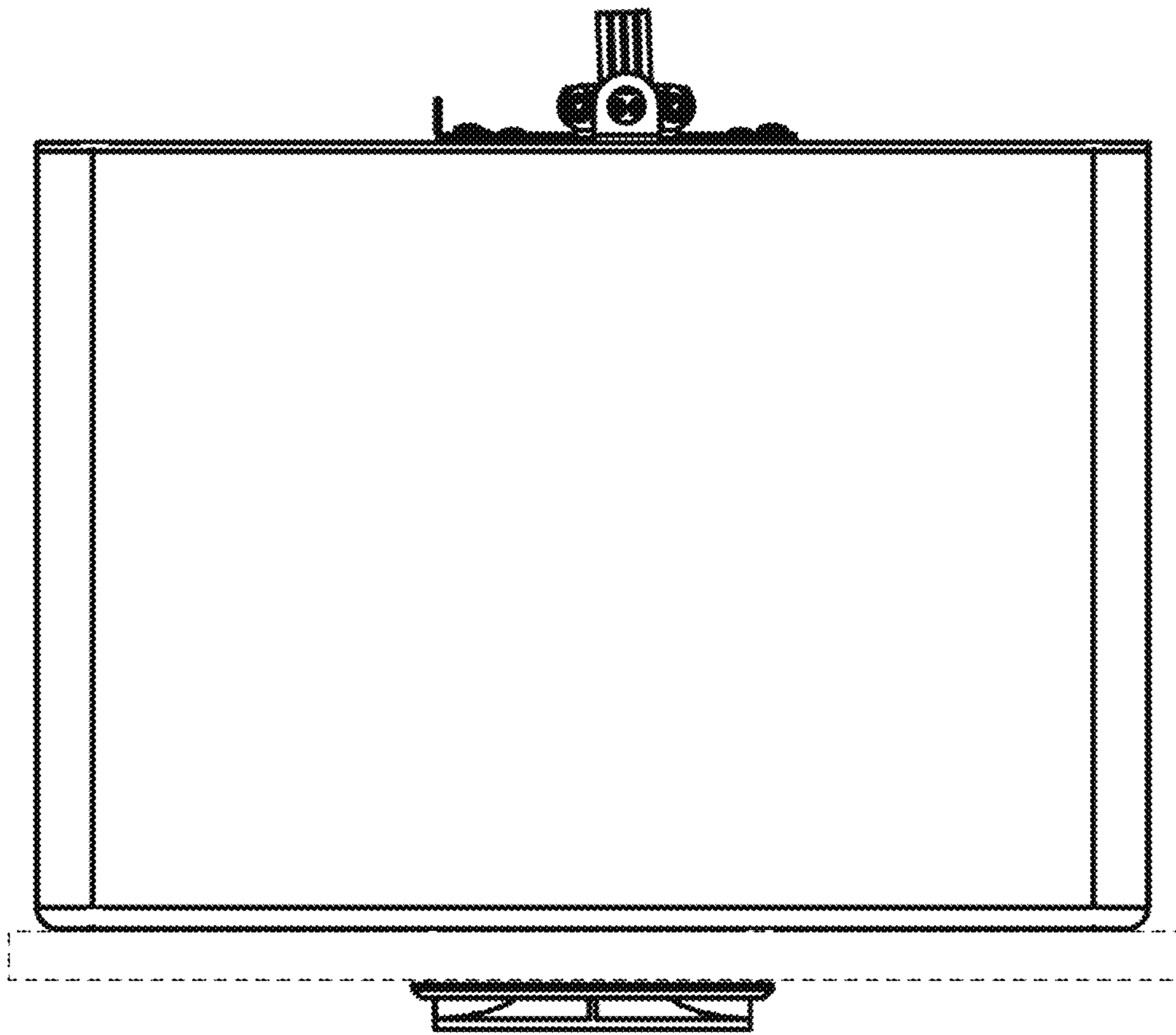


FIG. 9