



US00D836087S

(12) **United States Design Patent**
DePasquale

(10) **Patent No.:** **US D836,087 S**

(45) **Date of Patent:** **** Dec. 18, 2018**

(54) **AUDIO UNIT**

(71) Applicant: **Tivoli Audio, Inc.**, Boston, MA (US)

(72) Inventor: **Paul DePasquale**, Boston, MA (US)

(73) Assignee: **Tivoli Audio, Inc.**, Boston, MA (US)

(**) Term: **15 Years**

(21) Appl. No.: **29/591,138**

(22) Filed: **Jan. 17, 2017**

(51) **LOC (11) Cl.** **14-03**

(52) **U.S. Cl.**

USPC **D14/214**

(58) **Field of Classification Search**

USPC D14/167, 168, 170-172, 188, 194-196,
D14/204, 207, 209.1, 210-216, 219, 221,
D14/222, 224, 239, 496; 181/143, 144,
181/147, 148, 150, 153, 157, 198, 199;
381/300-303, 306, 332, 333, 336, 345,
381/361-364, 386-388; 369/6-12

CPC B60R 11/0217; G06F 1/1688; G10K 9/22;
G10K 11/004; H03F 1/327; H04M 1/03;
H04M 1/035; H04N 5/642; H04N
21/4852; H04R 1/02; H04R 1/06; H04R
1/021; H04R 1/025; H04R 1/026; H04R
1/028; H04R 1/105; H04R 1/323; H04R
1/403; H04R 1/2803; H04R 1/2834;
H04R 5/02; H04R 7/20; H04R 9/06;
H04R 9/025; H04R 2201/021; H04R
2400/00; H04R 2400/07; H04R 2499/11;
H04R 2499/13; H04R 2499/15; H04S
3/00; H04S 7/30

See application file for complete search history.

(56) **References Cited**

U.S. PATENT DOCUMENTS

2,891,629 A * 6/1959 Mercurius H04R 1/2857
181/145
D263,394 S * 3/1982 Szabo D14/214
D424,564 S * 5/2000 Quaglio D14/197

D595,693 S * 7/2009 Hussey D14/214
D676,827 S * 2/2013 Desrosiers D14/204
D754,103 S * 4/2016 Fischer D14/214
D771,018 S * 11/2016 Espinosa D14/214
D774,488 S * 12/2016 Magi D14/204
D816,062 S * 4/2018 Park H04R 1/2857
D14/214

OTHER PUBLICATIONS

Amazon.com; "Tivoli Audio Cube Wireless Speaker (Walnut)";
<http://www.amazon.com>; Oct. 4, 2016; 8 pgs. (Year: 2016).*

HXOS Plus—Youtube.com; "Tivoli Audio Cube and Orb Bluetooth
spk"; https://www.youtube.com/watch?v=EXsNi_kpAhY; Sep. 1,
2016; 2 pgs. (Year: 2016).*

* cited by examiner

Primary Examiner — Keli L Hill

(74) *Attorney, Agent, or Firm* — Chapin IP Law, LLC

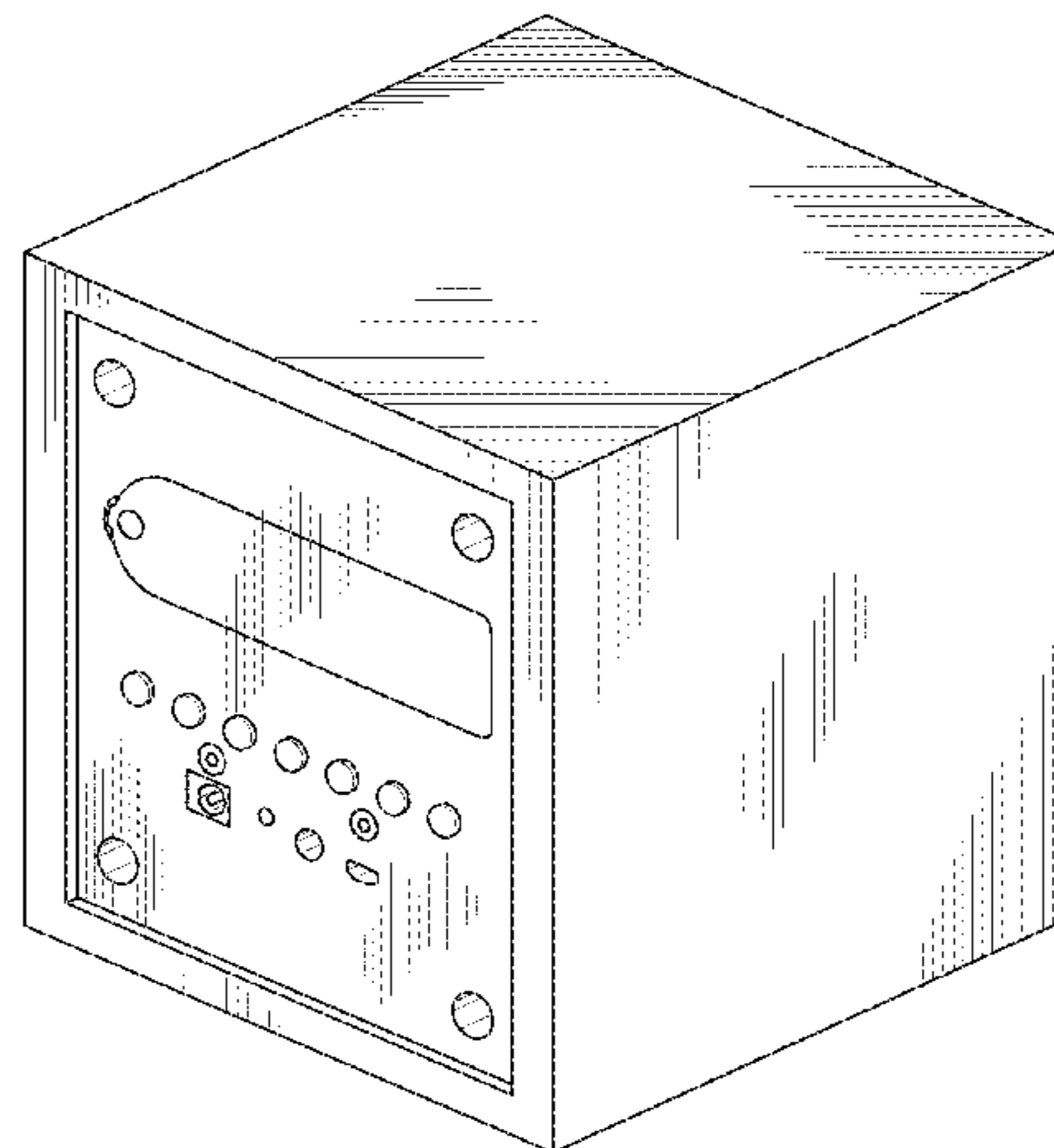
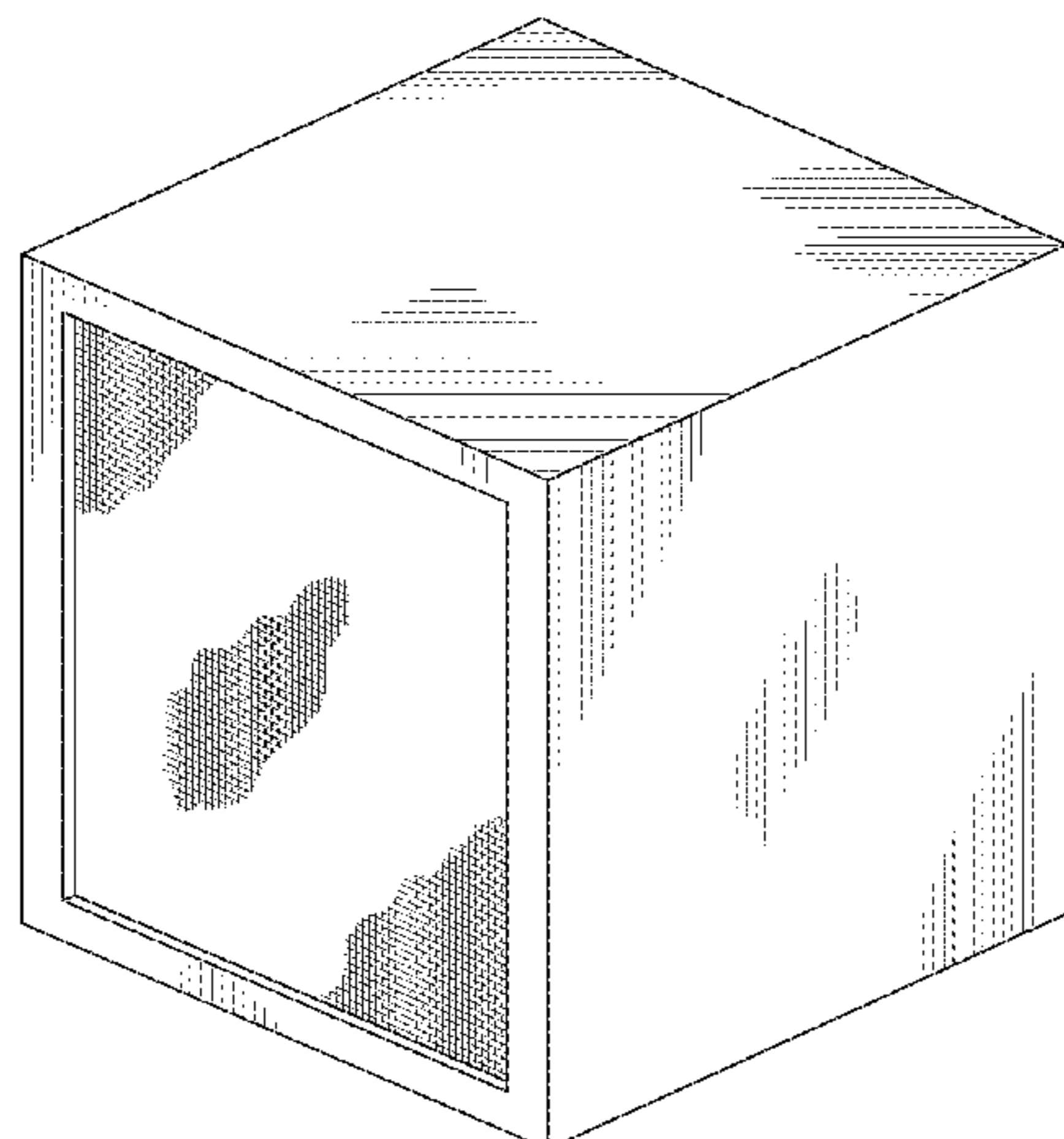
(57) **CLAIM**

The ornamental design for an audio unit, substantially as
shown.

DESCRIPTION

FIG. 1 is a front perspective view of the audio unit;
FIG. 2 is a rear perspective view of the audio unit;
FIG. 3 is a front elevation of the audio unit;
FIG. 4 is a rear elevation of the audio unit;
FIG. 5 is a top or plan view of the audio unit;
FIG. 6 is a bottom view of the audio unit; and,
FIG. 7 is a side elevation of the audio unit.

1 Claim, 7 Drawing Sheets



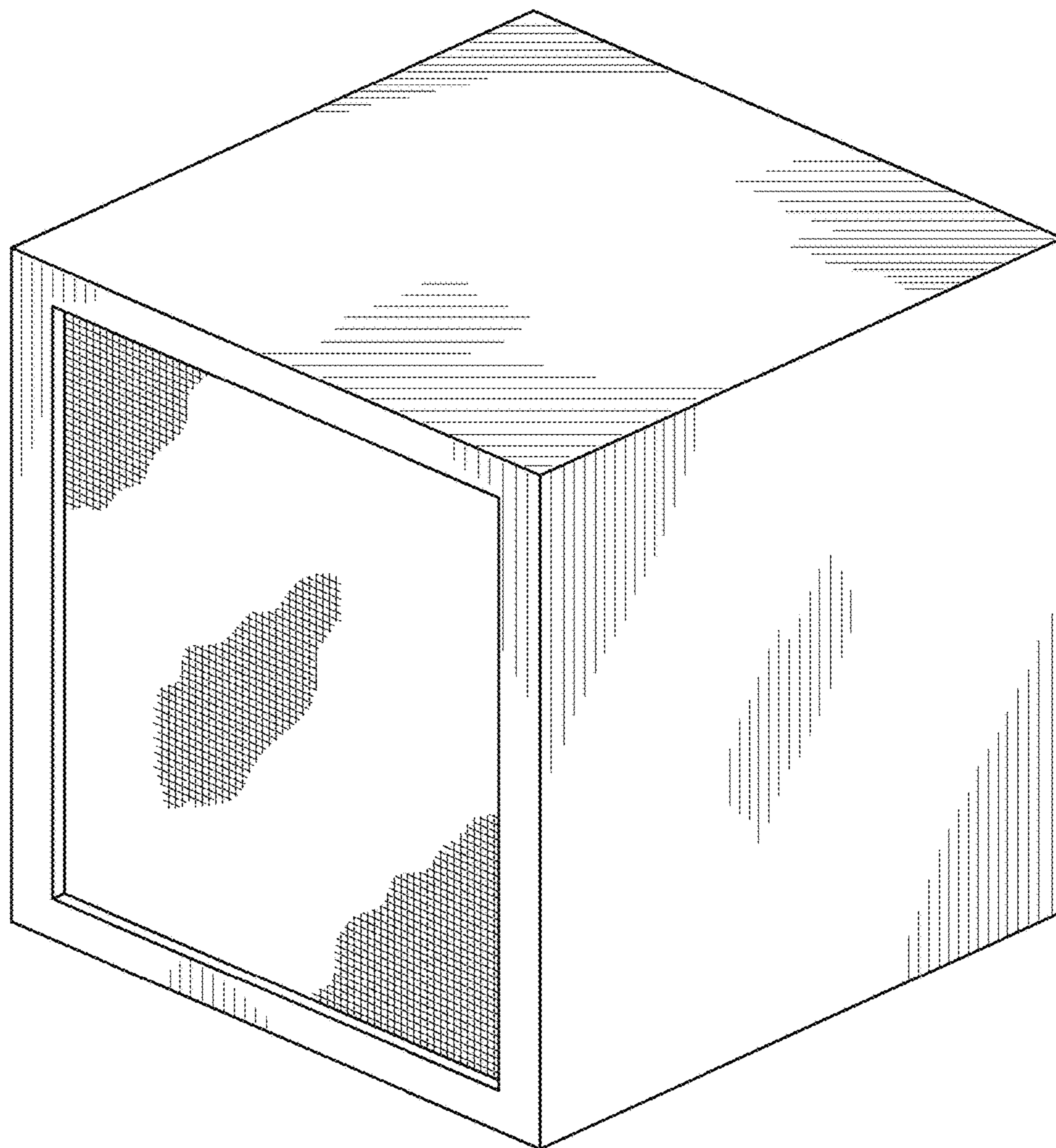


FIG. 1

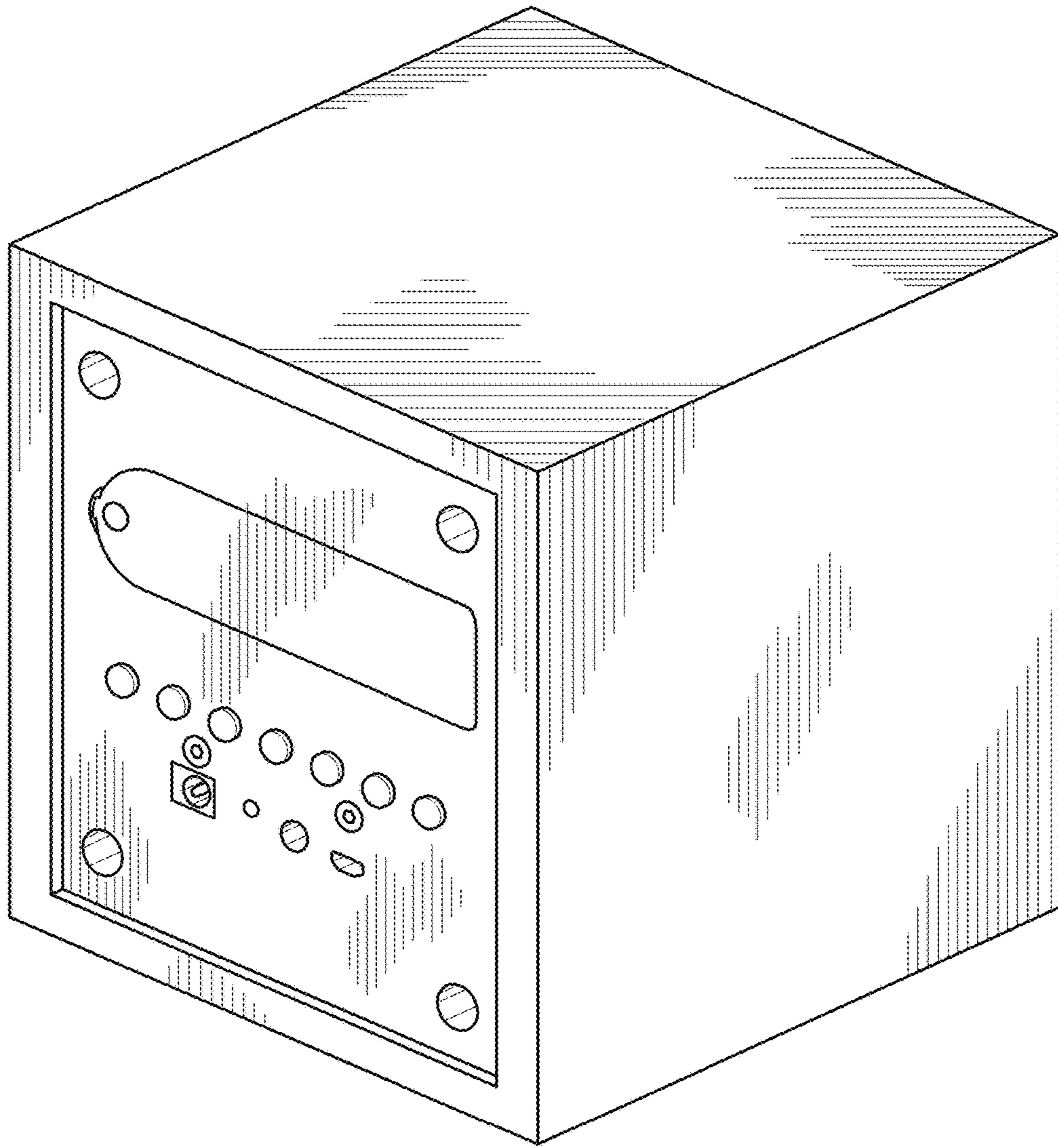


FIG. 2

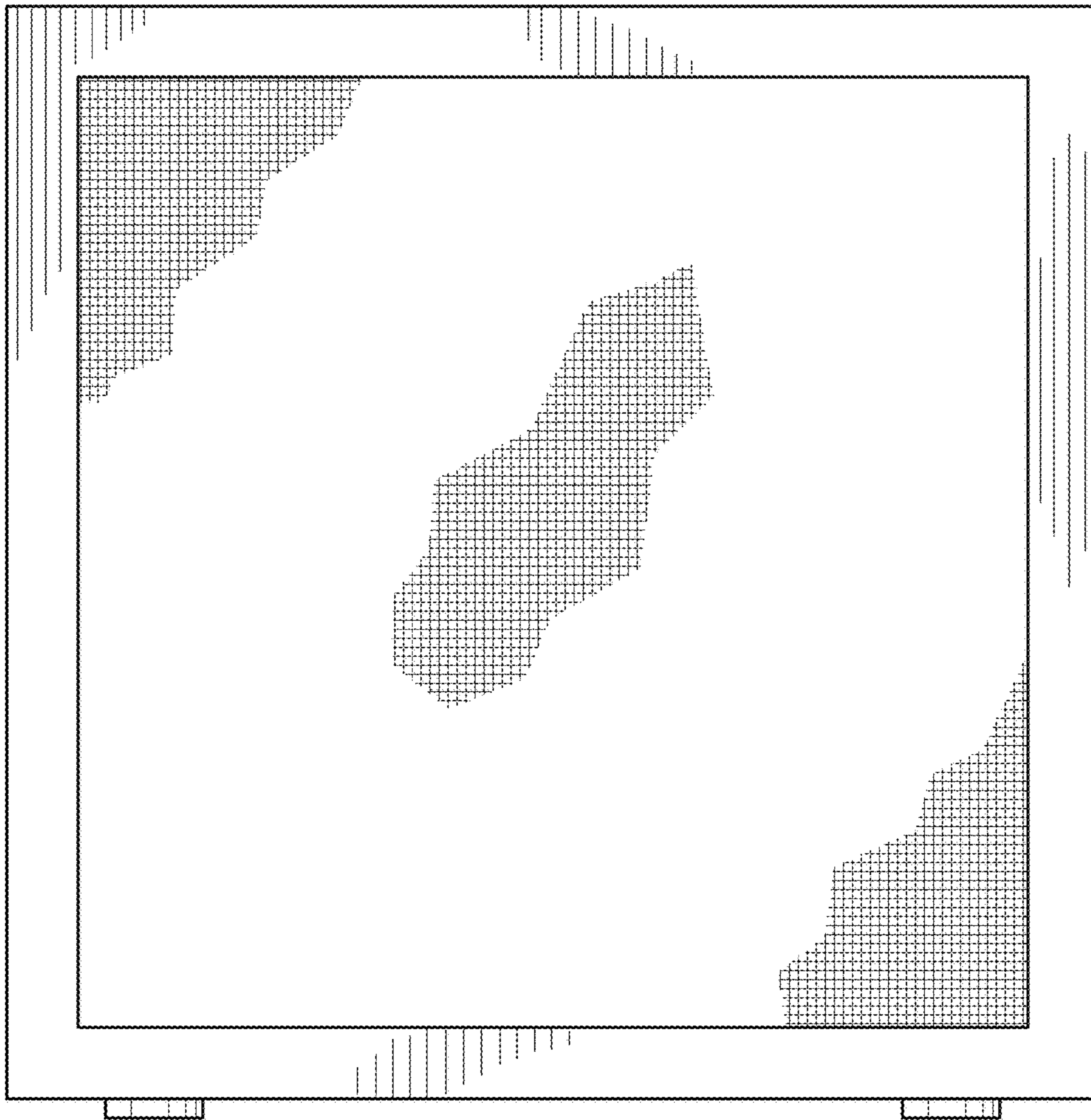


FIG. 3

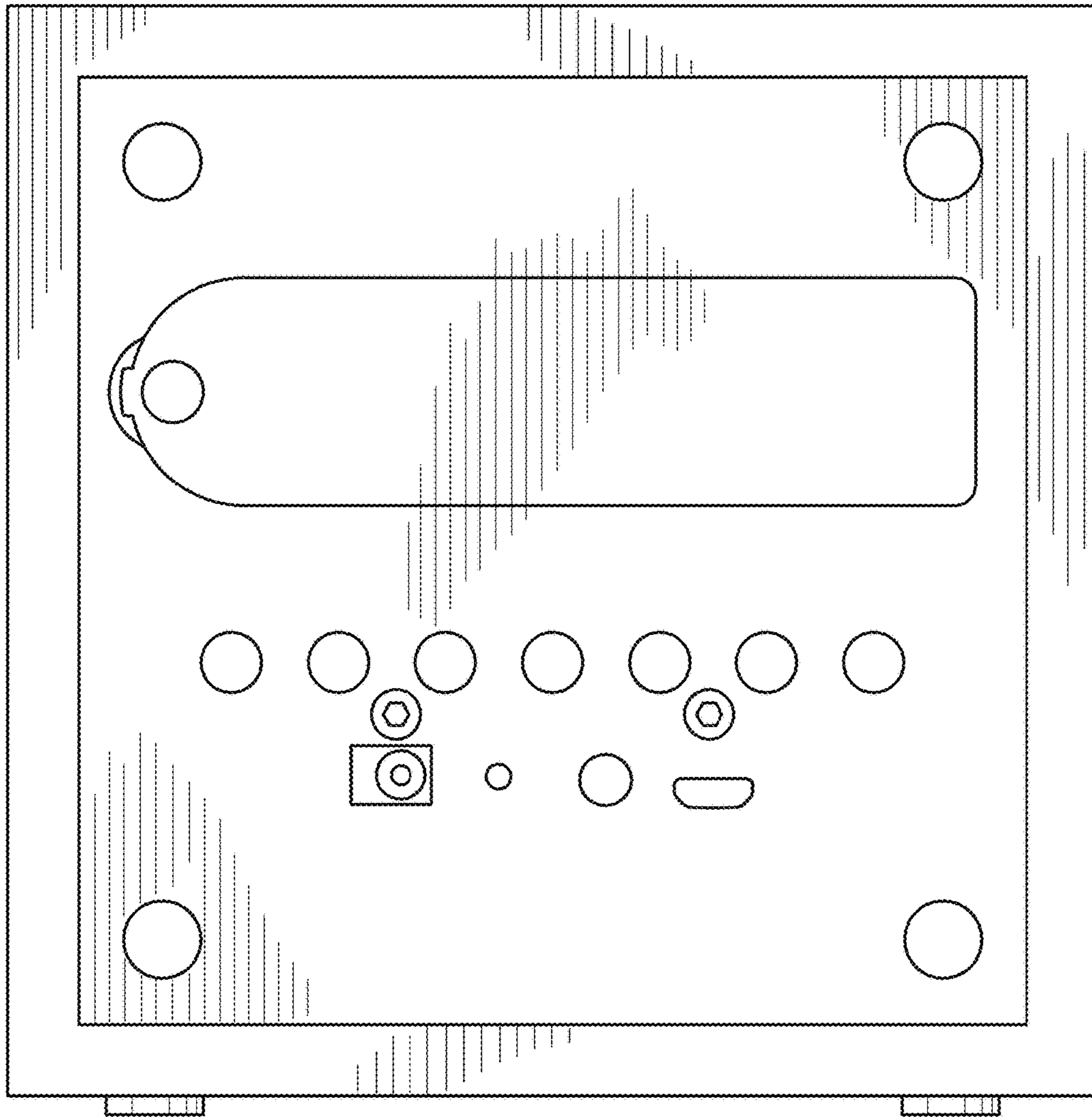


FIG. 4

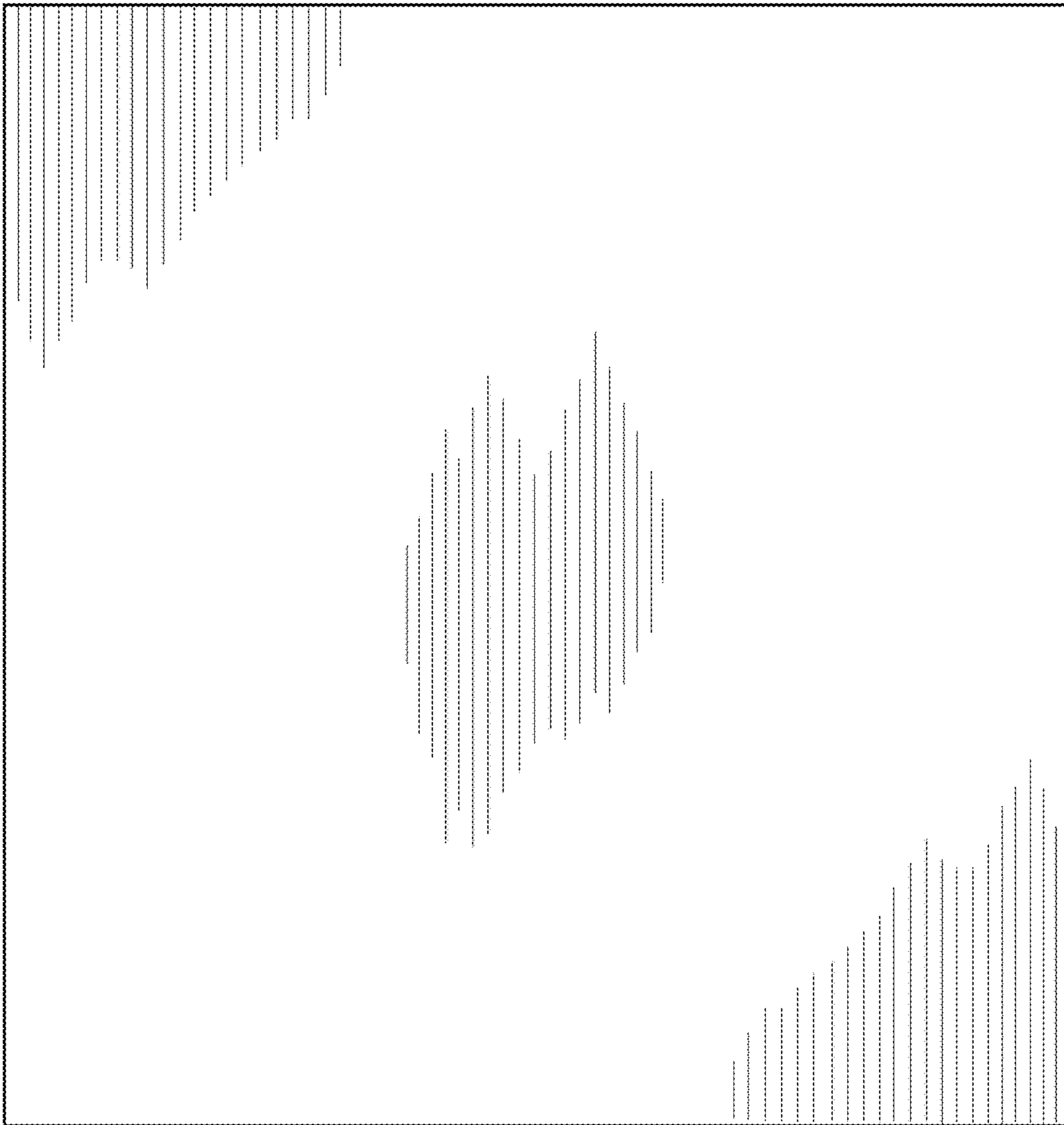


FIG. 5

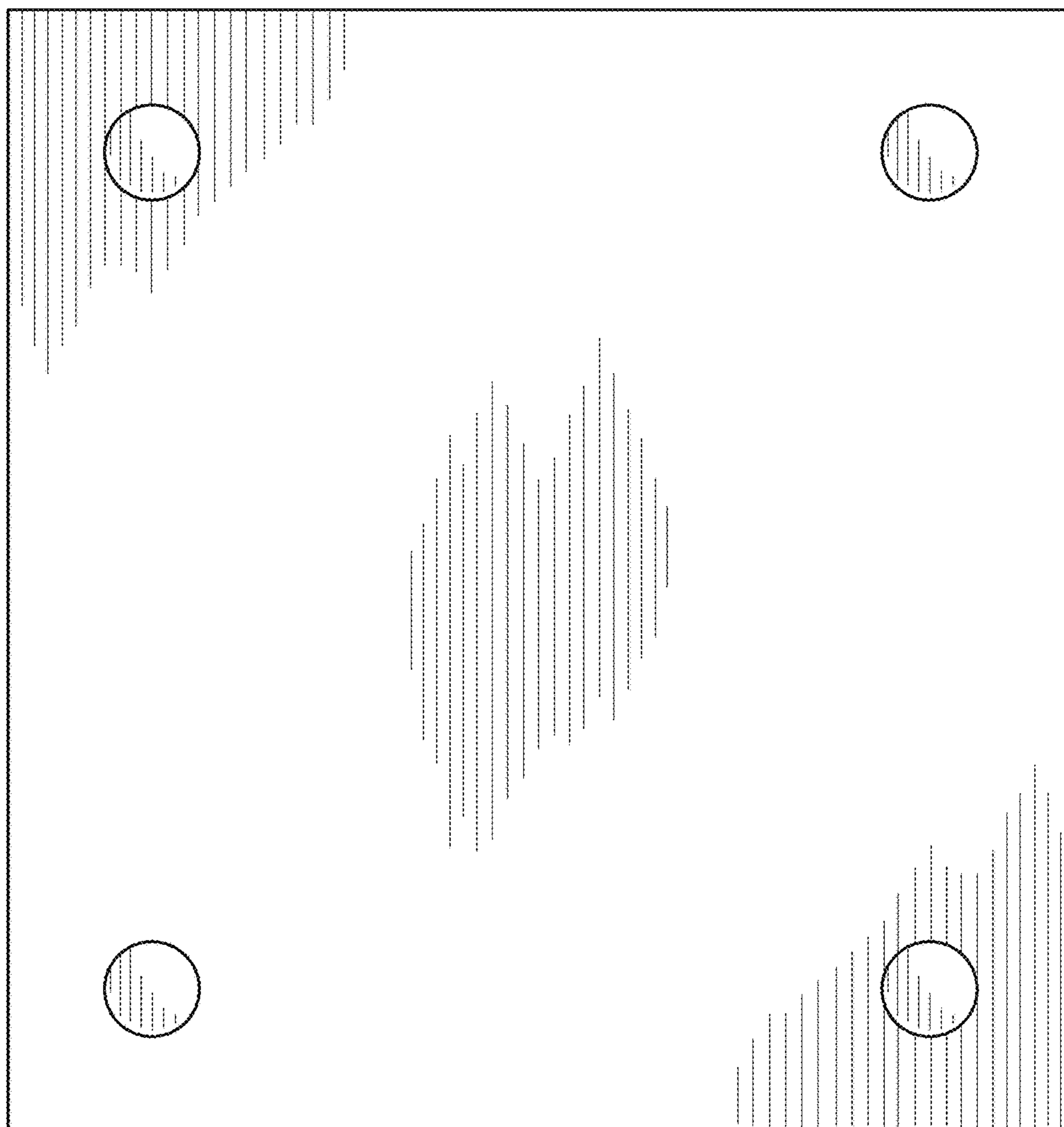


FIG. 6

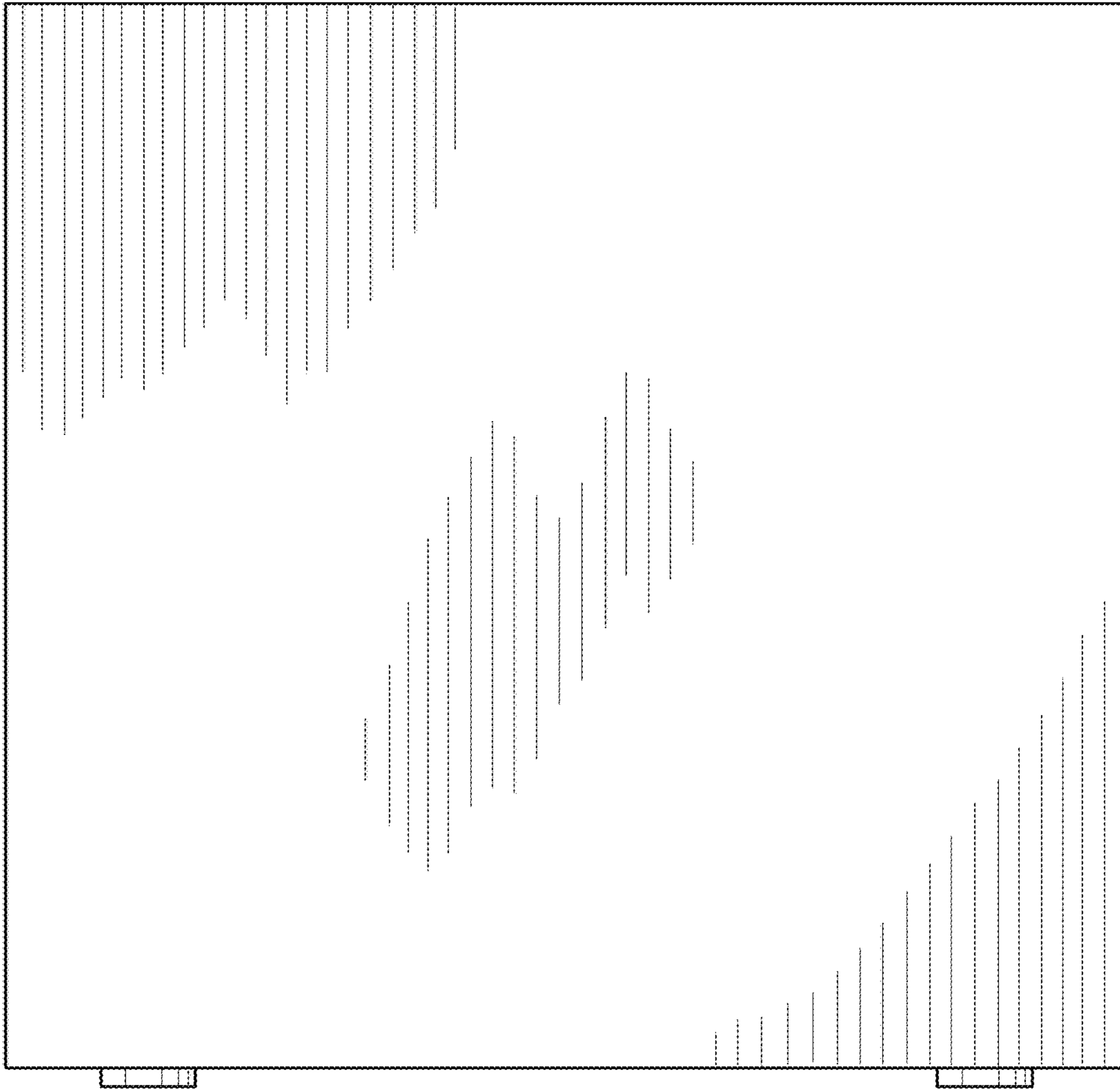


FIG. 7