



US00D836085S

(12) **United States Design Patent**
Sun et al.

(10) **Patent No.:** **US D836,085 S**
(45) **Date of Patent:** **** Dec. 18, 2018**

(54) **HEADPHONE**
(71) Applicant: **1MORE INC.**, Shenzhen, Guangdong (CN)
(72) Inventors: **Xin Sun**, Guangdong (CN); **Shichen Xu**, Guangdong (CN)
(73) Assignee: **1MORE INC.**, Shenzhen (CN)
(**) Term: **15 Years**
(21) Appl. No.: **29/605,140**
(22) Filed: **May 24, 2017**

(30) **Foreign Application Priority Data**
May 11, 2017 (CN) 2017 3 0172549
(51) **LOC (11) Cl.** **14-01**
(52) **U.S. Cl.**
USPC **D14/206**; D14/226
(58) **Field of Classification Search**
USPC D14/206, 205, 188, 192, 225, 226;
D29/112; 2/209; 181/129, 130, 135;
379/430, 431; 381/380, 381, 370, 374,
381/74; 455/90.3, 575.1, 569.1
CPC H04R 1/1016; H04R 1/1066; H04R 25/00;
H04R 5/033; H04R 5/0335
See application file for complete search history.

(56) **References Cited**
U.S. PATENT DOCUMENTS
D233,444 S * 10/1974 Christian D14/206
4,926,961 A * 5/1990 Gatley G10K 11/22
181/18
D328,461 S * 8/1992 Daido D14/205
D366,045 S * 1/1996 Hirschhorn D14/209
D371,560 S * 7/1996 Fenton D14/230
D445,416 S * 7/2001 Glezerman D14/206
D463,398 S * 9/2002 Rath D14/206

6,560,346 B2 * 5/2003 Ohta H04R 1/083
381/370
D481,375 S * 10/2003 Suzuki D14/206
D563,381 S * 3/2008 Carrier D14/188
D563,382 S * 3/2008 Wikel D14/205
D584,715 S * 1/2009 Brennwald D14/205
D603,370 S * 11/2009 Suzuki D14/205
D604,266 S * 11/2009 Milde D14/205
D625,705 S * 10/2010 Oho D14/205
D667,815 S * 9/2012 Chiu D14/206
D691,579 S * 10/2013 Lee D14/205
8,559,665 B2 * 10/2013 Schmidt H04R 1/1066
381/370
D697,495 S * 1/2014 Lian D14/205
D712,874 S * 9/2014 Gauger, Jr. D14/206
D722,041 S * 2/2015 Sparks D14/206
9,002,026 B2 * 4/2015 Lin H04R 1/1008
381/370
D769,221 S * 10/2016 Pedersen D14/206
D782,999 S * 4/2017 Spio D14/206

* cited by examiner

Primary Examiner — Paula Allen Greene
(74) *Attorney, Agent, or Firm* — Ladas & Parry LLP

(57) **CLAIM**

The ornamental design for a headphone, as shown and described.

DESCRIPTION

FIG. 1 is a front elevational view of a headphone showing our new design;
FIG. 2 is a rear elevational view thereof;
FIG. 3 is a left side elevational view thereof;
FIG. 4 is a right side elevational view thereof;
FIG. 5 is a top plan view thereof;
FIG. 6 is a bottom plan view thereof;
FIG. 7 is a perspective view thereof; and,
FIG. 8 is another perspective view thereof.
The broken lines form no part of the claimed design.

1 Claim, 8 Drawing Sheets

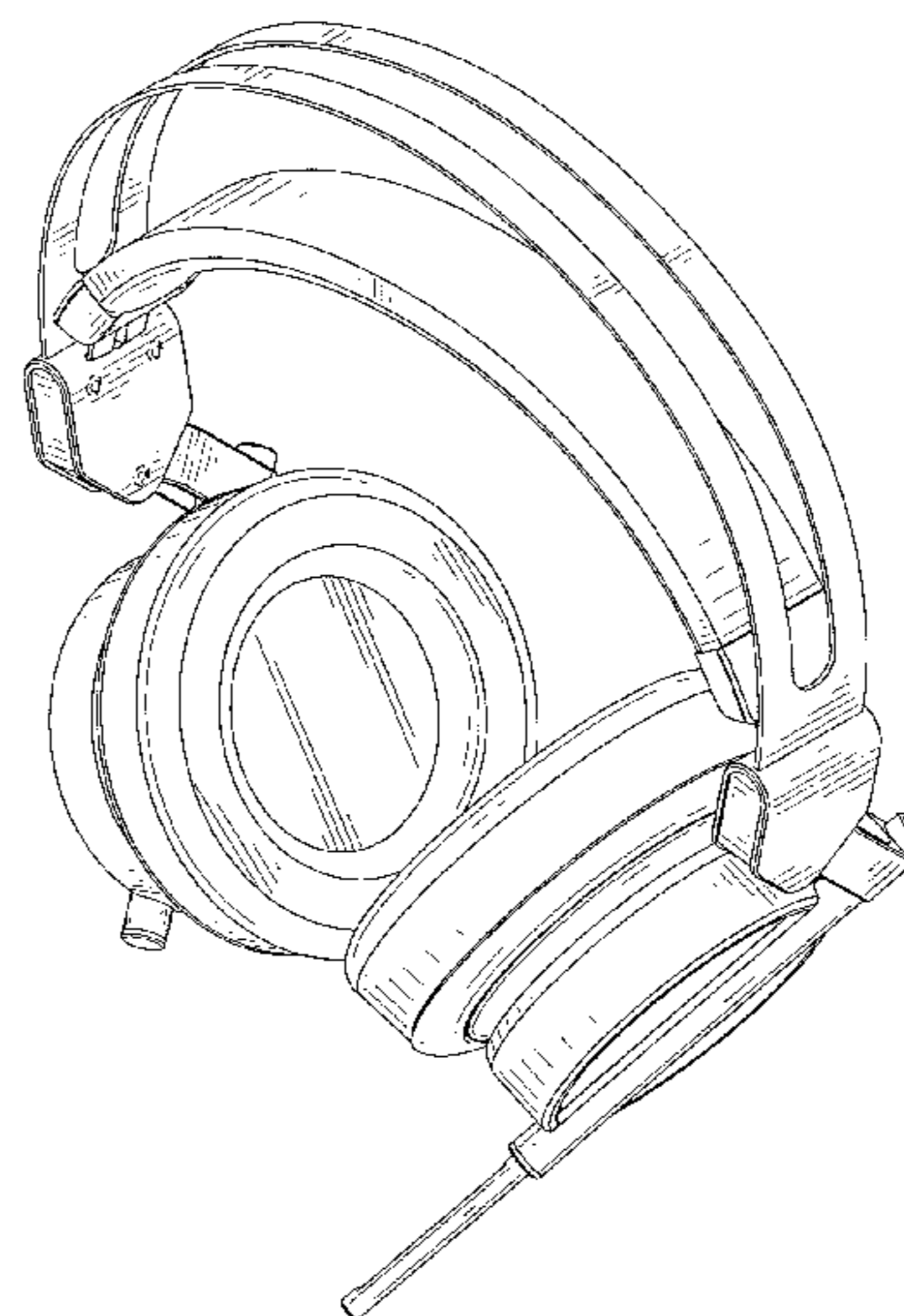
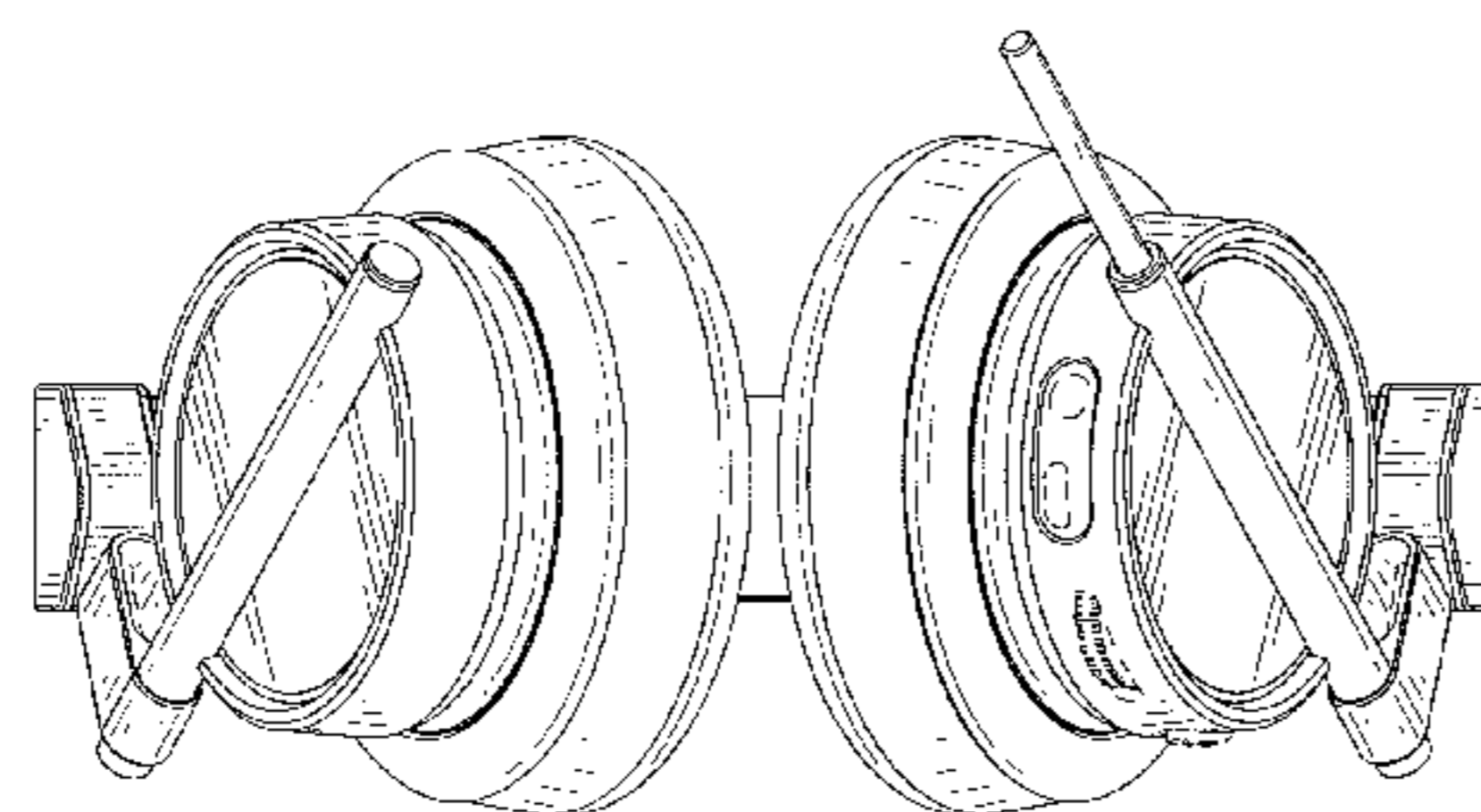




FIG. 1



FIG. 2

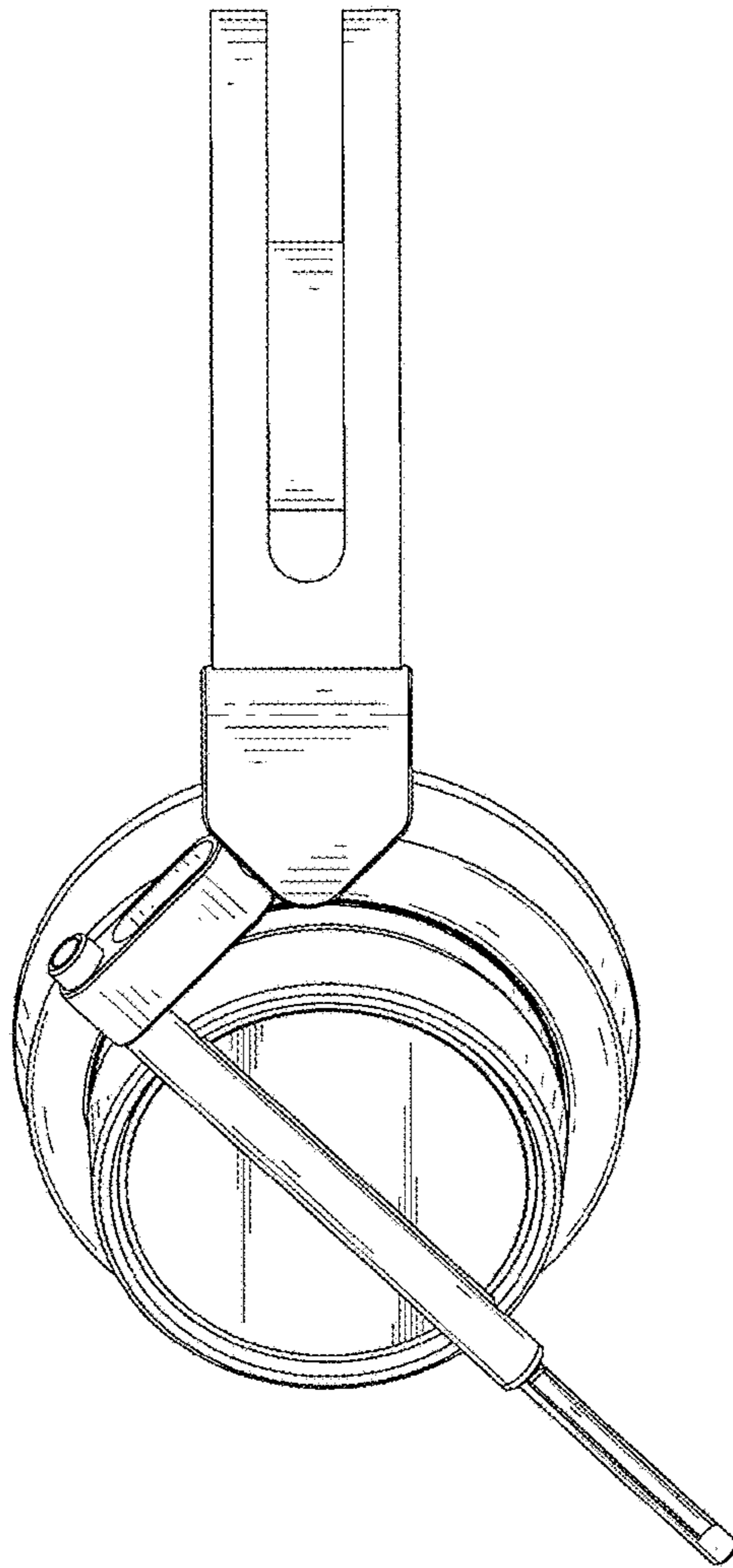


FIG. 3

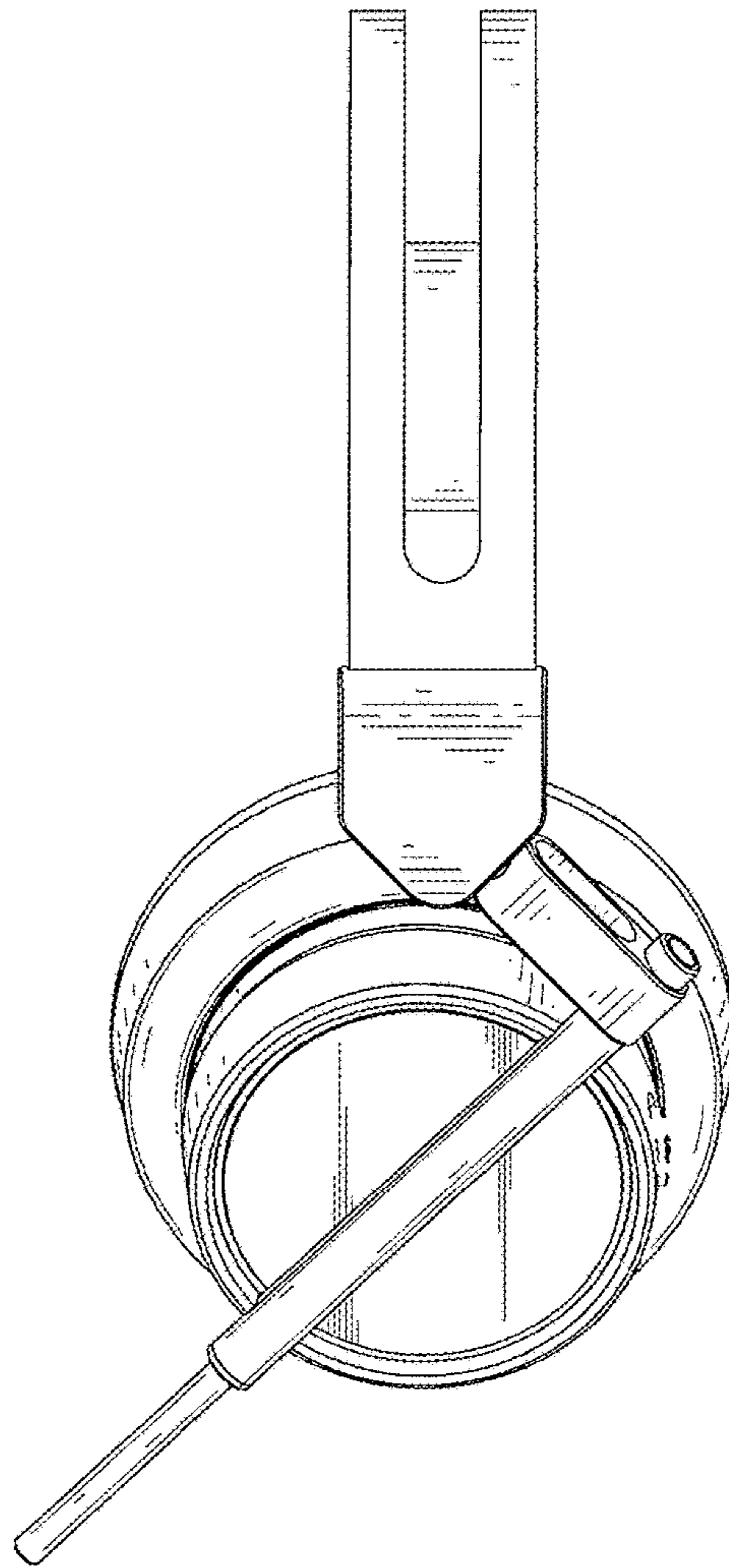


FIG. 4

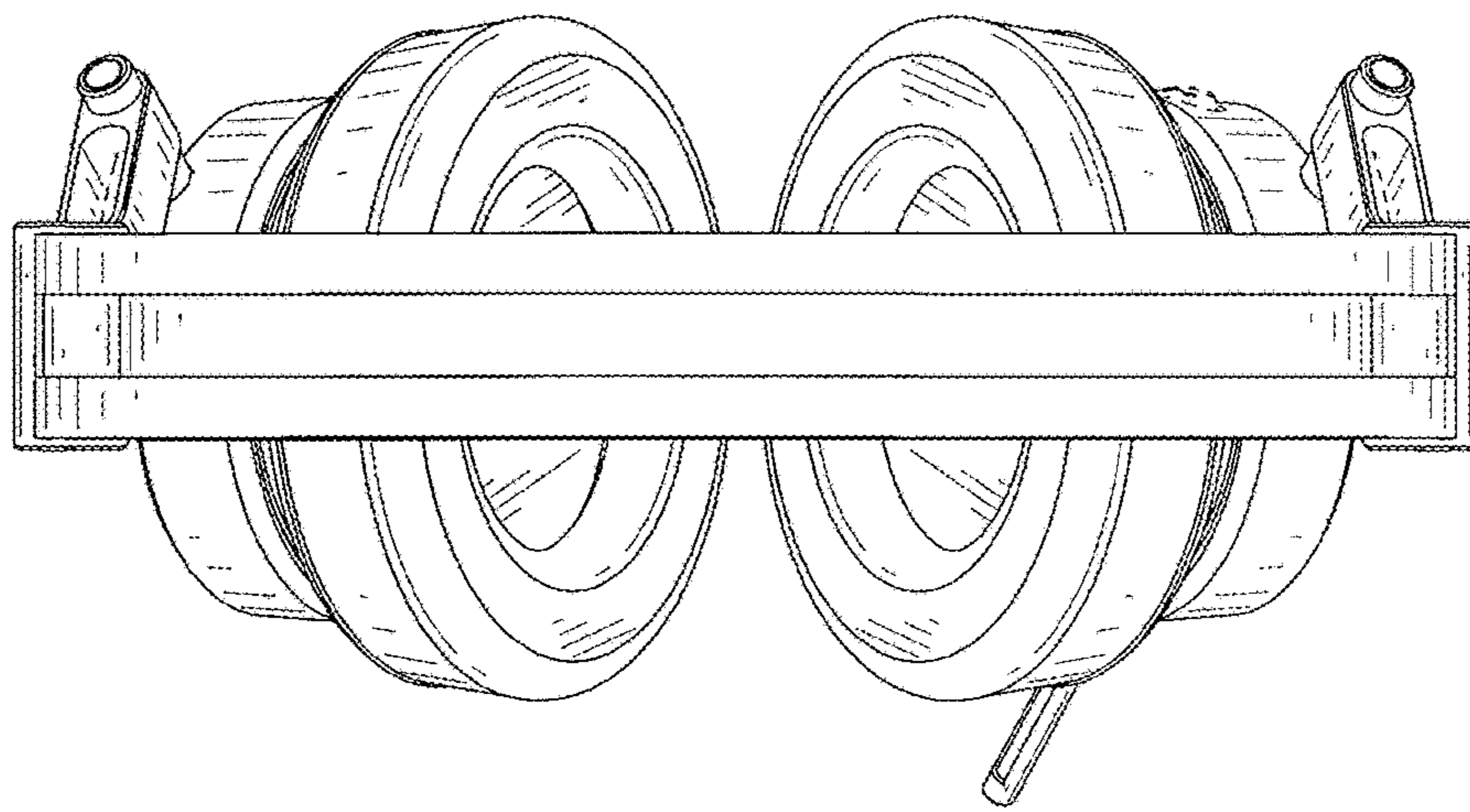


FIG. 5

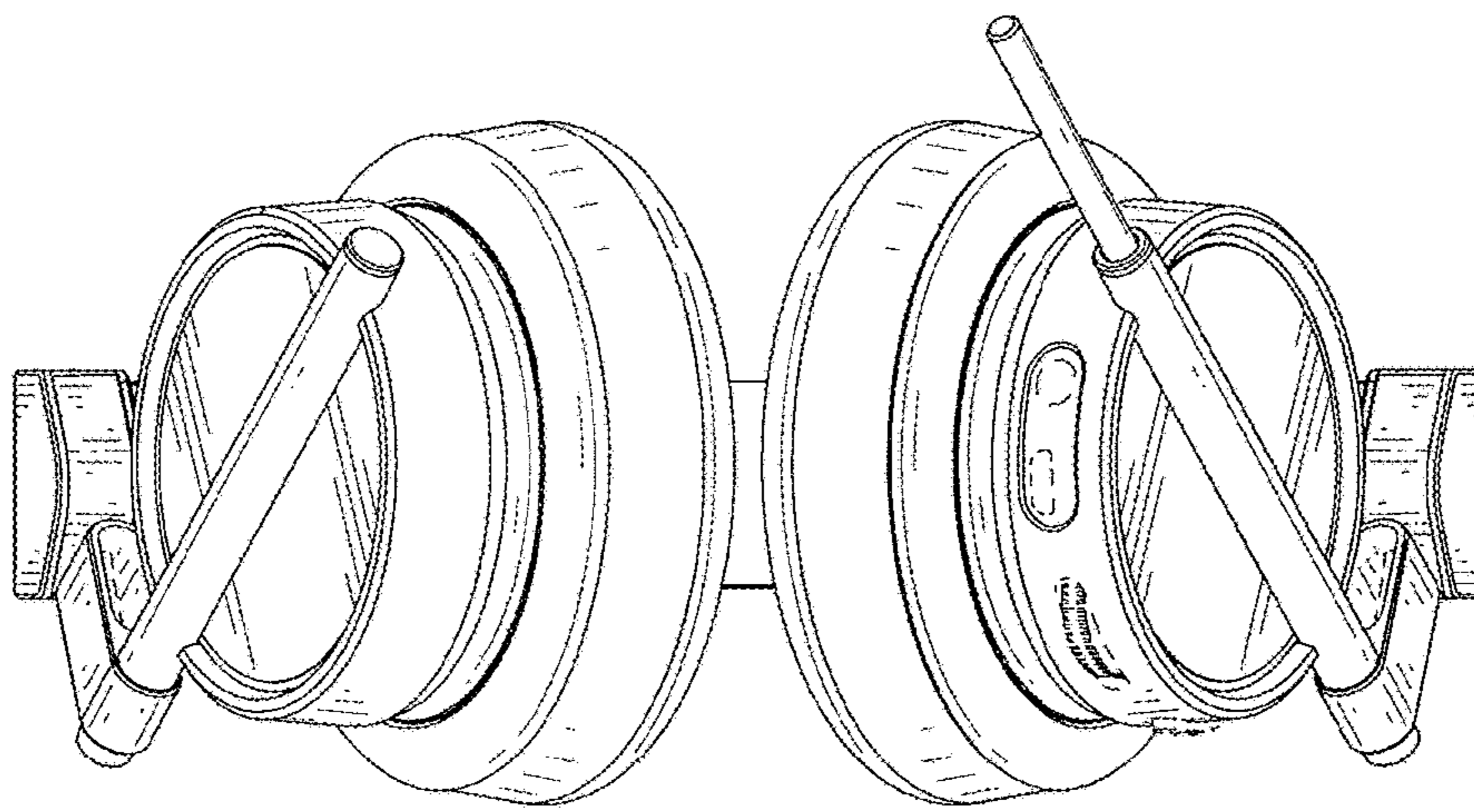


FIG. 6

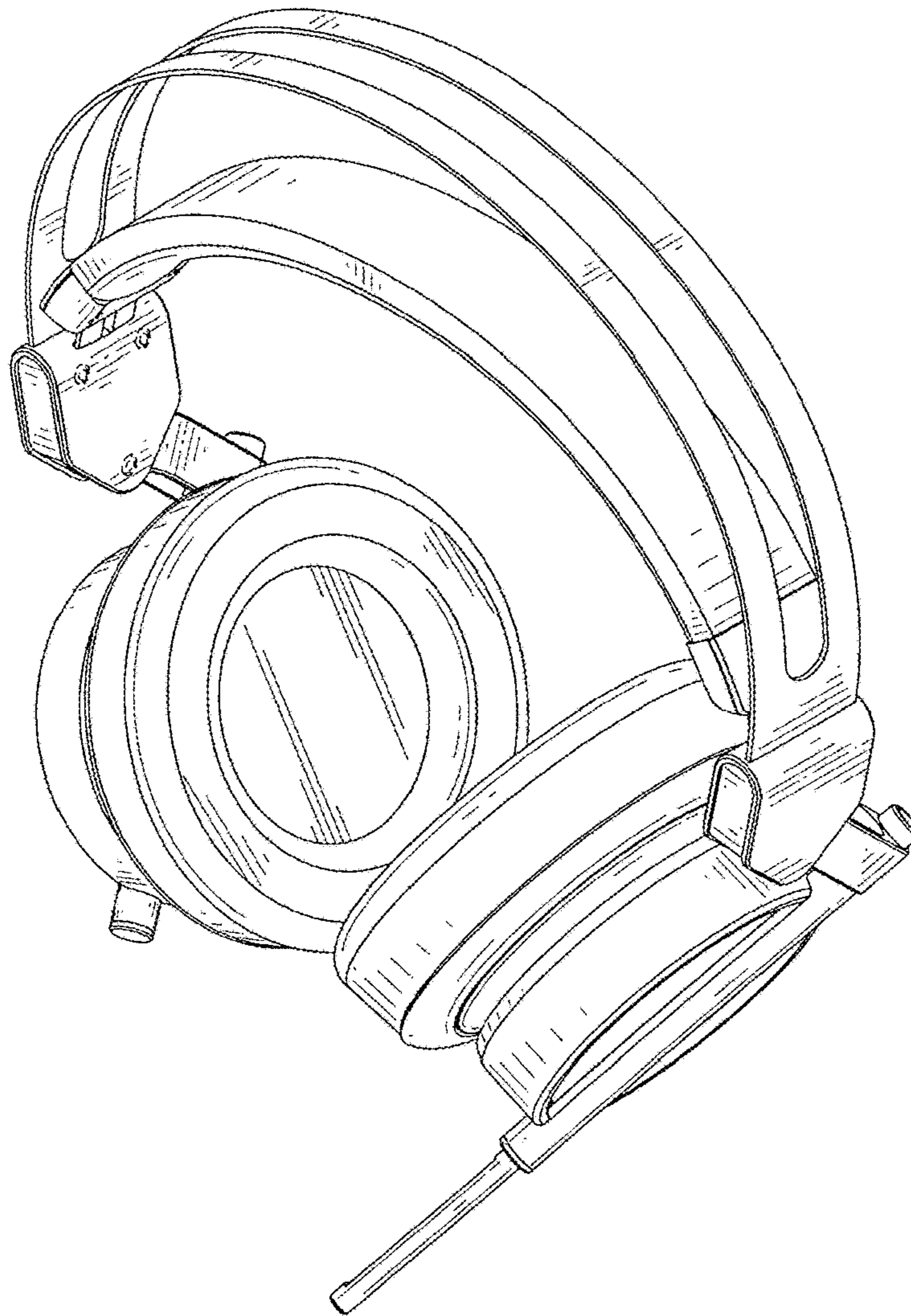


FIG. 7

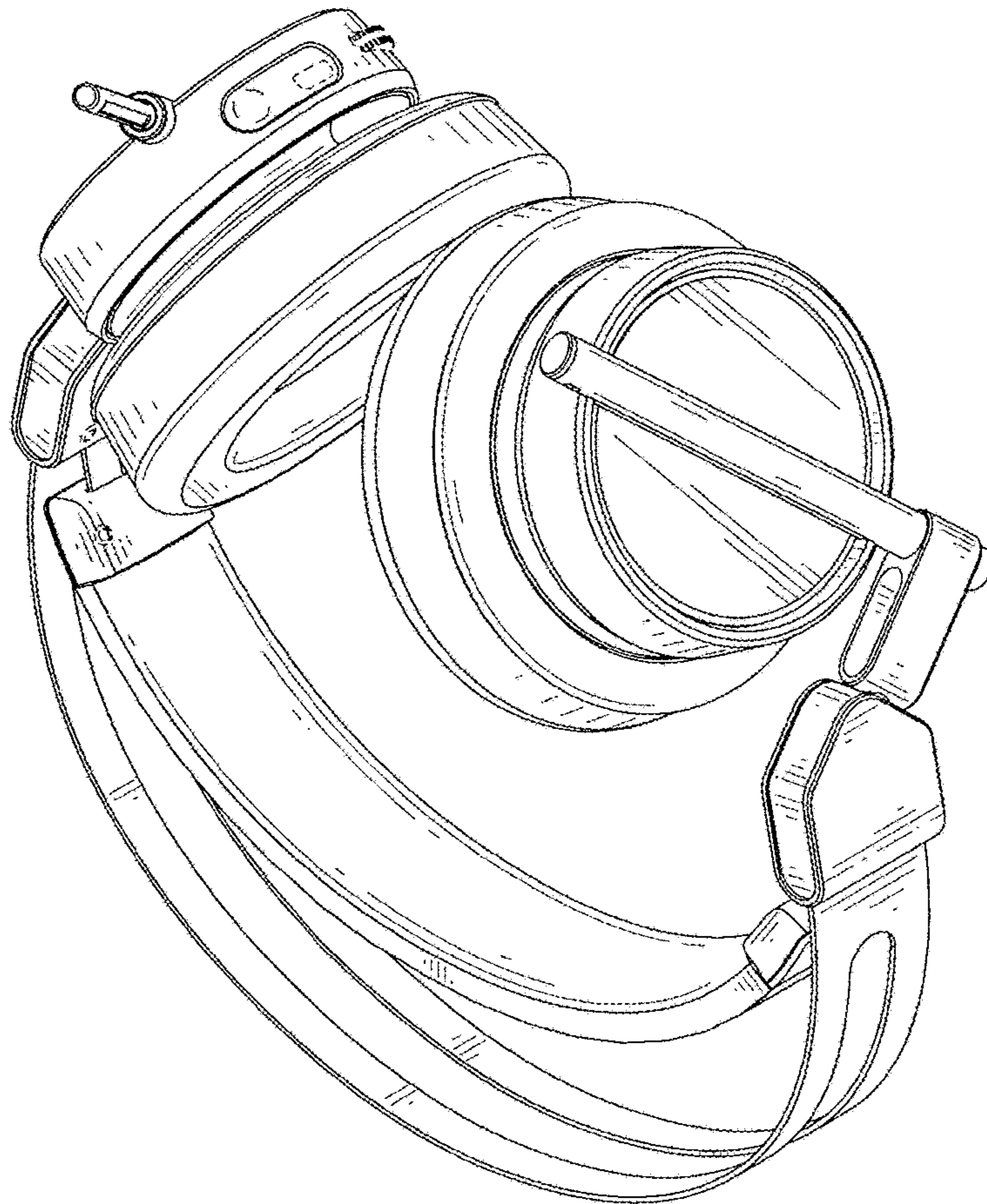


FIG. 8