



US00D836084S

(12) **United States Design Patent** (10) **Patent No.:** **US D836,084 S**  
**Xie** (45) **Date of Patent:** **\*\* Dec. 18, 2018**

(54) **HEADSET**  
(71) Applicant: **Suikun Xie**, Shenzhen (CN)  
(72) Inventor: **Suikun Xie**, Shenzhen (CN)  
(\*\*) Term: **15 Years**  
(21) Appl. No.: **29/611,117**  
(22) Filed: **Jul. 19, 2017**  
(51) **LOC (11) Cl.** ..... **14-01**  
(52) **U.S. Cl.**  
USPC ..... **D14/205**  
(58) **Field of Classification Search**  
USPC ..... D14/205, 223, 188, 192; D29/112;  
2/209; 181/129, 130, 135; 379/430, 431;  
381/380, 381, 374, 74, 378, 375;  
455/90.3, 575.1, 569.1  
CPC .... H04R 1/1066; H04R 1/1016; H04R 25/00;  
H04R 1/10; H04R 5/033; H04R 5/0335  
See application file for complete search history.

(56) **References Cited**

**U.S. PATENT DOCUMENTS**

1,776,373 A \* 9/1930 Rollman ..... B02C 18/305  
241/293  
3,505,684 A \* 4/1970 Hutchinson ..... A61F 11/14  
2/209  
3,787,899 A \* 1/1974 Krawagna ..... H04R 1/1066  
2/209  
D246,519 S \* 11/1977 Kato ..... D14/205  
D258,430 S \* 3/1981 Hayashi ..... D14/205  
4,409,442 A \* 10/1983 Kamimura ..... H04R 5/0335  
381/370  
D286,632 S \* 11/1986 Teunis ..... D14/205  
D310,081 S \* 8/1990 Daido ..... D14/205  
5,018,599 A \* 5/1991 Dohi ..... H04R 1/1008  
181/129  
D328,074 S \* 7/1992 Yamazaki ..... D14/205  
D328,461 S \* 8/1992 Daido ..... D14/205

D347,845 S \* 6/1994 Sumikawa ..... D14/205  
D351,172 S \* 10/1994 Nakamura ..... D14/205  
D353,817 S \* 12/1994 Wada ..... D14/205  
D405,449 S \* 2/1999 Nakamura ..... D14/205  
D484,485 S \* 12/2003 Matsuoka ..... D14/205  
D491,163 S \* 6/2004 Green ..... D14/205  
6,993,143 B2 \* 1/2006 Harris ..... H04R 1/1066  
381/374  
D520,492 S \* 5/2006 Chen ..... D14/205  
D534,155 S \* 12/2006 Obata ..... D14/205  
D534,156 S \* 12/2006 Obata ..... D14/205  
D538,261 S \* 3/2007 Taylor ..... D14/205  
D541,255 S \* 4/2007 Taylor ..... D14/205  
D568,290 S \* 5/2008 Wikel ..... D14/205  
D573,581 S \* 7/2008 Gondo ..... D14/205  
D581,394 S \* 11/2008 Lee ..... D14/205  
D585,871 S \* 2/2009 Lee ..... D14/205  
D593,995 S \* 6/2009 Shimizu ..... D14/205  
D594,847 S \* 6/2009 Suzuki ..... D14/205  
D616,865 S \* 6/2010 Marchand ..... D14/205  
D625,705 S \* 10/2010 Oho ..... D14/205  
D639,776 S \* 6/2011 Arimoto ..... D14/205

(Continued)

Primary Examiner — Paula Allen Greene

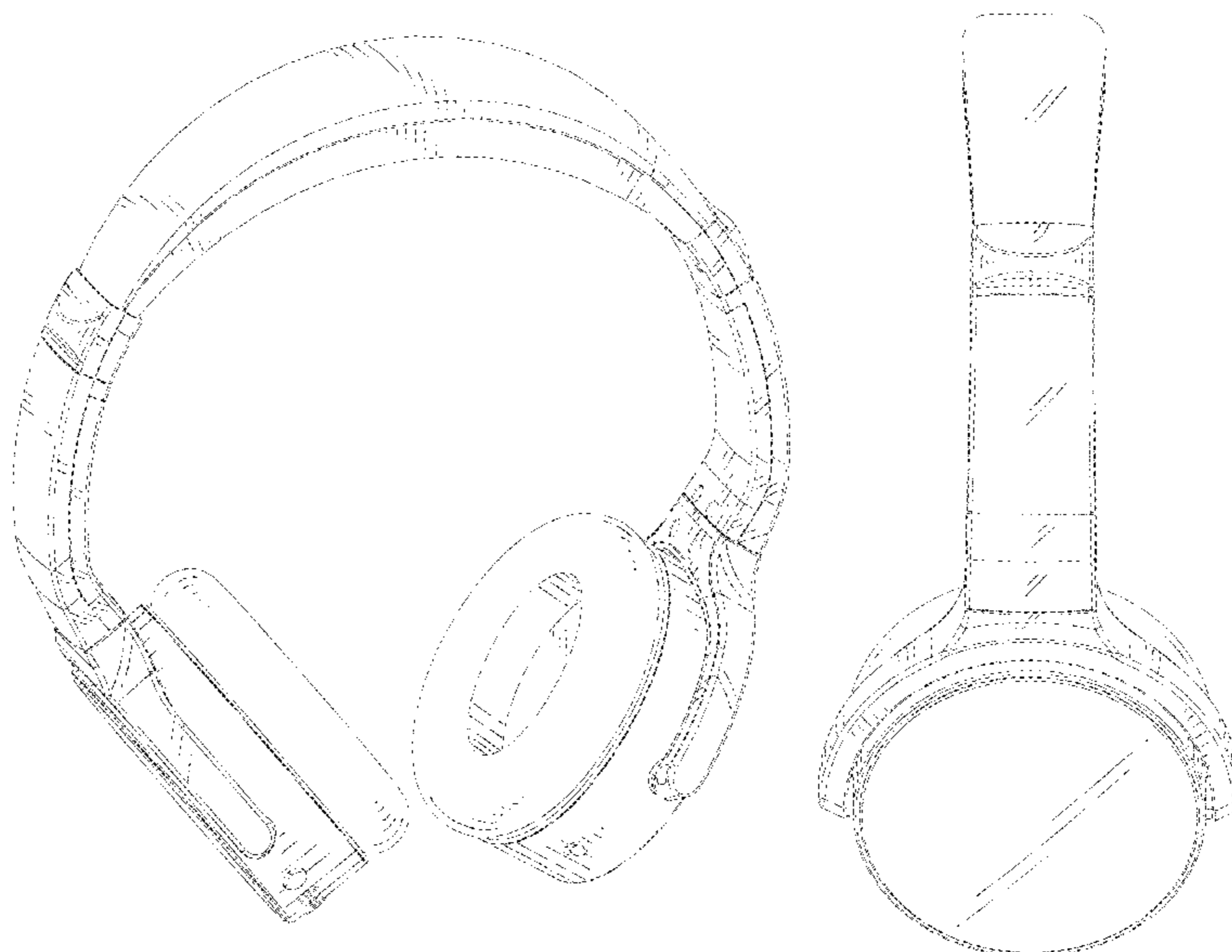
(57) **CLAIM**

The ornamental design for a headset, as shown and described.

**DESCRIPTION**

FIG. 1 is a front perspective view of a headset showing my new design;  
FIG. 2 is a front elevational view thereof;  
FIG. 3 is a rear elevational view thereof;  
FIG. 4 is a side elevational view thereof;  
FIG. 5 is an opposite side elevational view thereof;  
FIG. 6 is a top view thereof; and,  
FIG. 7 is a bottom view thereof.  
The broken lines in the drawings illustration portions of the headset that forms no part of the claimed design.

**1 Claim, 7 Drawing Sheets**



(56)

**References Cited**

U.S. PATENT DOCUMENTS

8,098,872 B2 \* 1/2012 Chang ..... H04R 1/1075  
 381/370  
 8,774,420 B2 \* 7/2014 Belafonte ..... H04R 1/2811  
 381/182  
 D719,136 S \* 12/2014 Schaal ..... D14/205  
 8,923,525 B2 \* 12/2014 Saideh ..... H04R 1/1033  
 381/309  
 D721,052 S \* 1/2015 Carr ..... D14/205  
 D734,297 S \* 7/2015 Sasaki ..... D14/205  
 D750,041 S \* 2/2016 Birger ..... D14/205  
 D758,337 S \* 6/2016 Szymanski ..... D14/205  
 D768,110 S \* 10/2016 Suzuki ..... D14/205  
 D787,470 S \* 5/2017 Kelly ..... D14/205  
 D794,602 S \* 8/2017 Riggs ..... D14/205  
 D800,691 S \* 10/2017 Ando ..... D14/205  
 2005/0238189 A1 \* 10/2005 Tsai ..... H04R 1/1075  
 381/309  
 2010/0310093 A1 \* 12/2010 Semcken ..... H04R 1/1058  
 381/104  
 2014/0205129 A1 \* 7/2014 Blair ..... H04R 1/1058  
 381/378  
 2017/0230746 A1 \* 8/2017 Silvestri ..... H04R 1/1083

\* cited by examiner

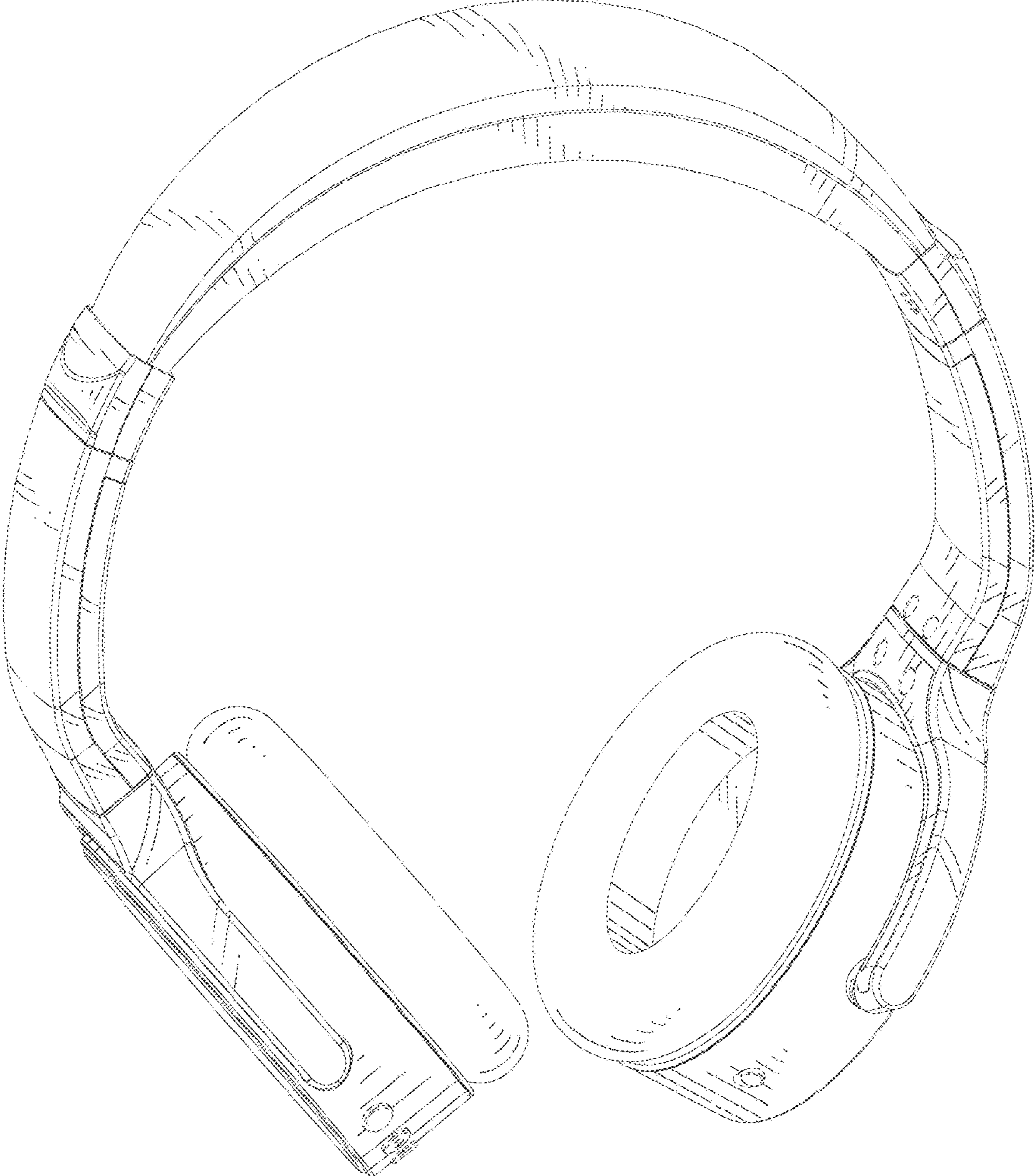


Fig.1

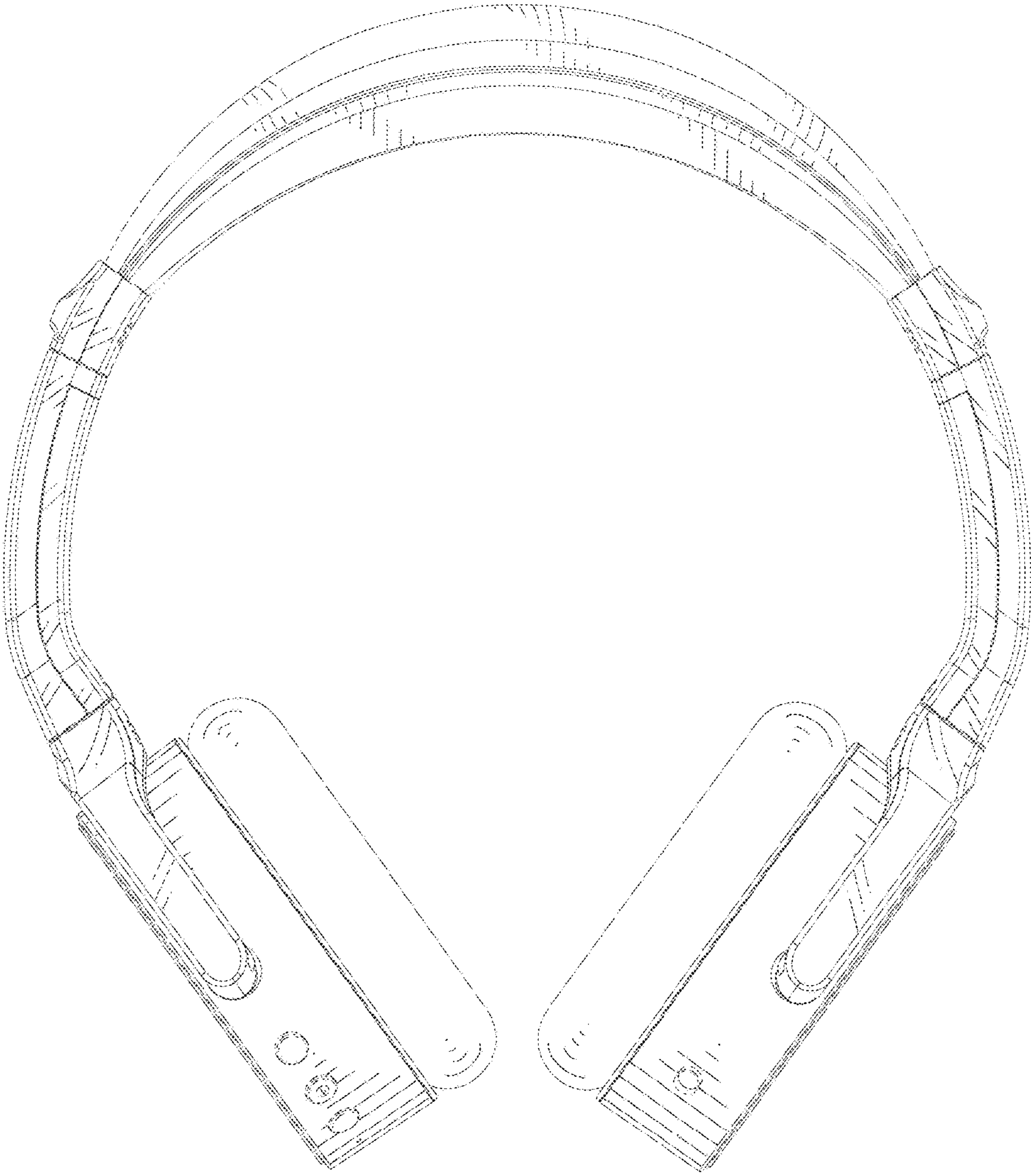


Fig.2



Fig.3

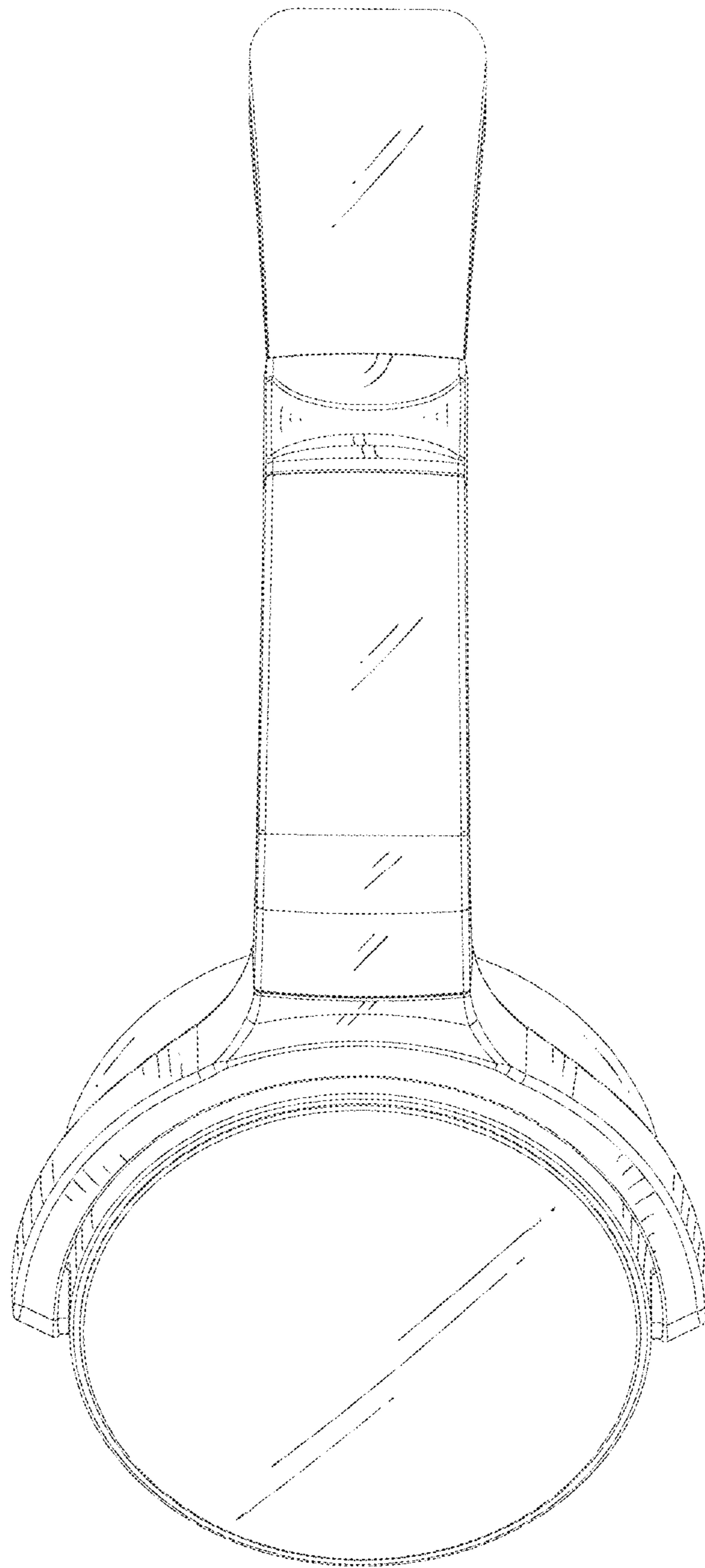


Fig.4

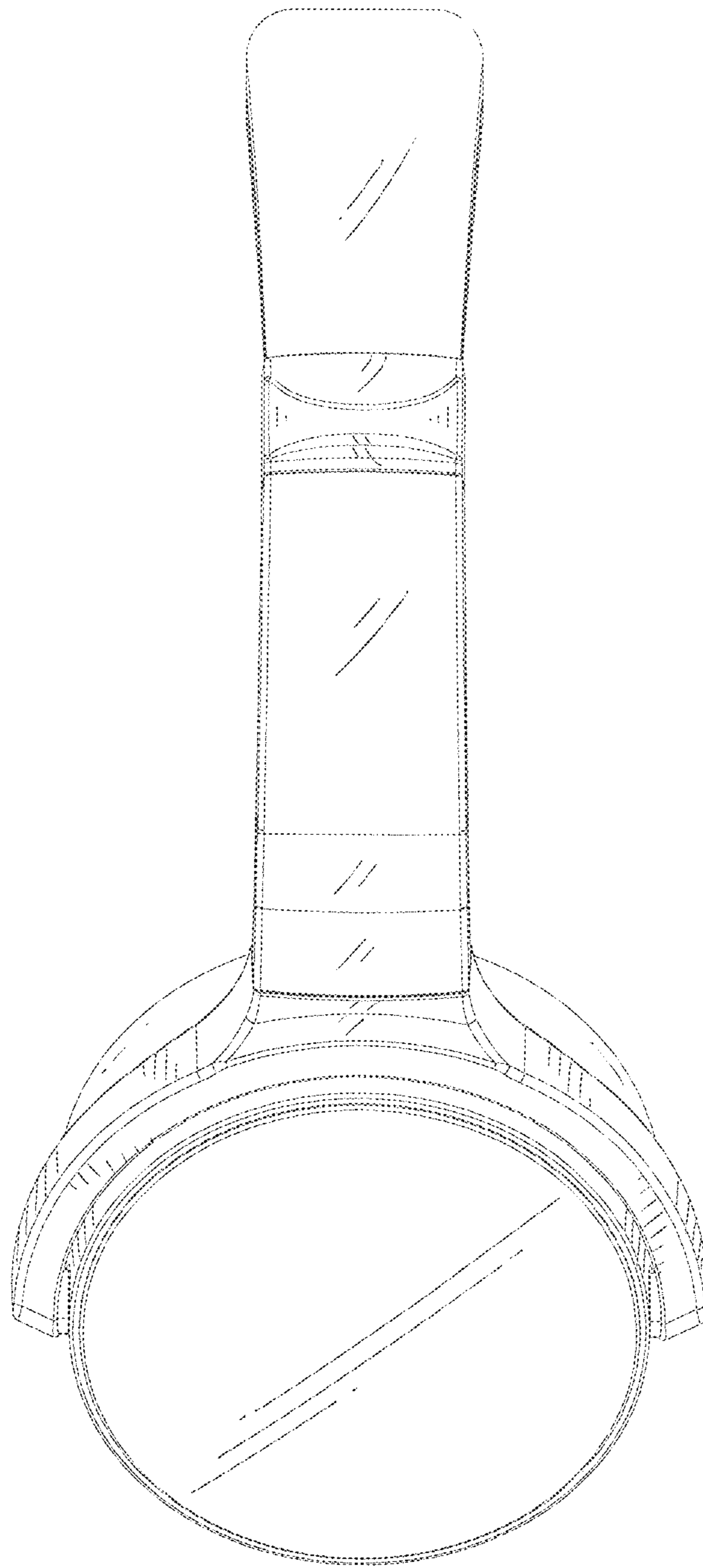


Fig.5

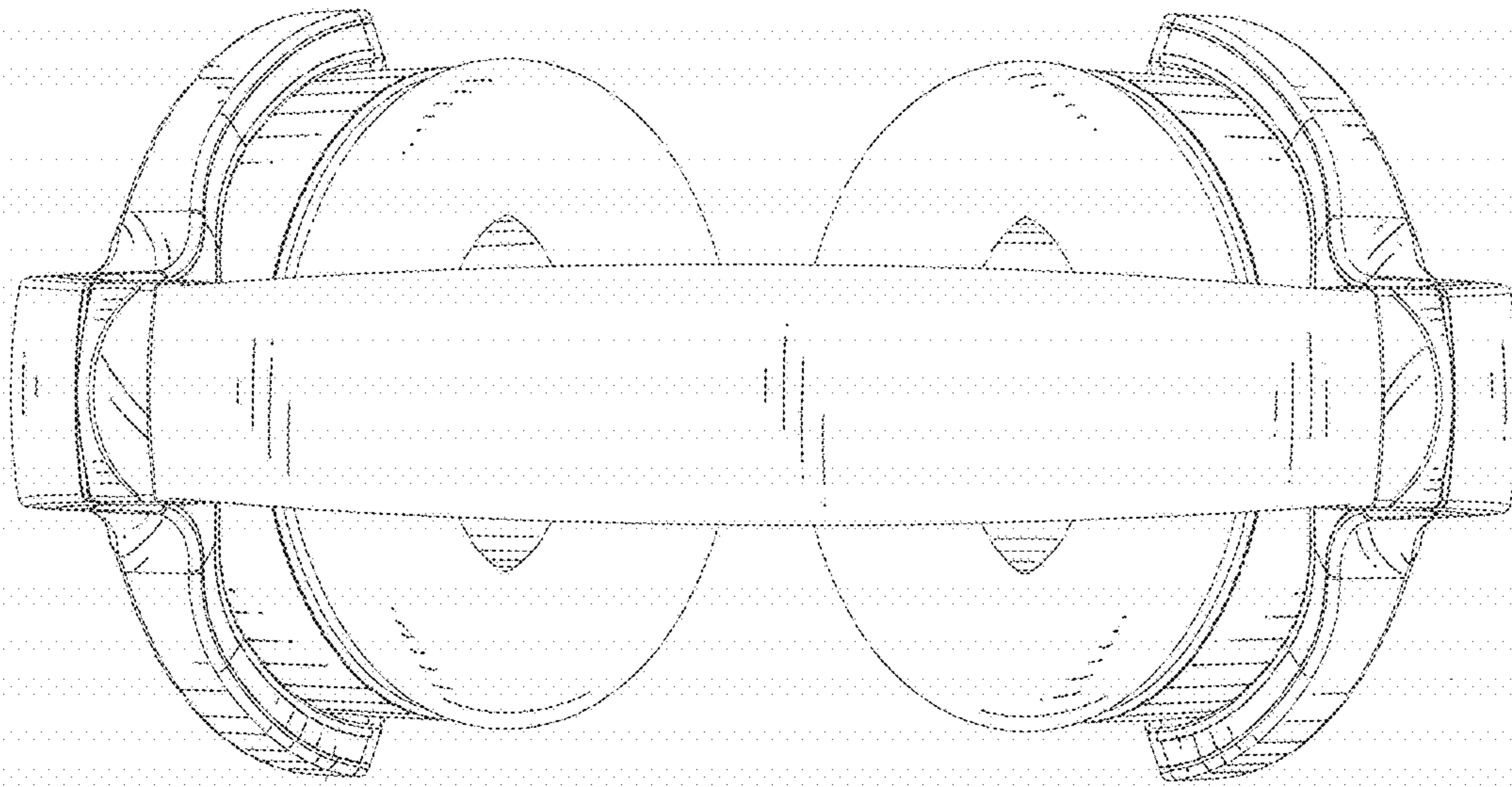


Fig.6



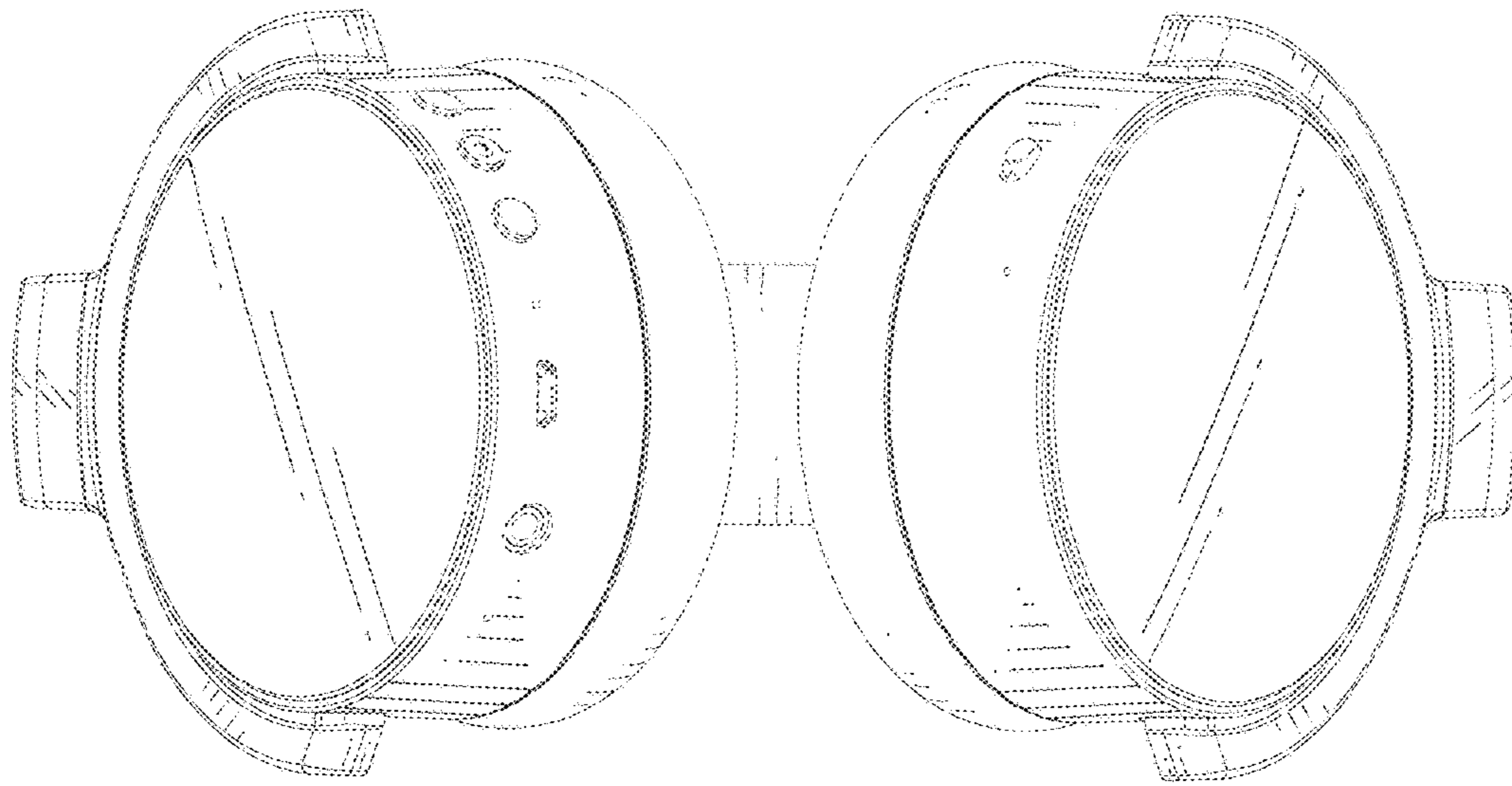


Fig.7