



US00D836081S

(12) **United States Design Patent**  
**Liu et al.**

(10) **Patent No.:** **US D836,081 S**

(45) **Date of Patent:** **\*\* Dec. 18, 2018**

(54) **SET OF PORTABLE SPEAKERS**

(71) Applicant: **FOXCONN INTERCONNECT TECHNOLOGY LIMITED**, Grand Cayman (KY)

(72) Inventors: **Meng-Chu Liu**, New Taipei (TW);  
**Xiao-Qin Wang**, New Taipei (TW);  
**Cheng-Kuei Fan**, New Taipei (TW);  
**Hue-Tien Chen**, New Taipei (TW)

(73) Assignee: **FOXCONN INTERCONNECT TECHNOLOGY LIMITED**, Grand Cayman (KY)

(\*\*) Term: **15 Years**

(21) Appl. No.: **29/576,628**

(22) Filed: **Sep. 6, 2016**

(30) **Foreign Application Priority Data**

Jul. 27, 2016 (CN) ..... 2016 3 0348880

(51) **LOC (11) Cl.** ..... **14-01**

(52) **U.S. Cl.**  
USPC ..... **D14/204**

(58) **Field of Classification Search**

USPC .... D14/167, 168, 170–172, 188, 204, 209.1,  
D14/210–216, 219, 221, 222, 224, 434;  
181/144, 148, 153, 157, 198; 369/6–12;  
381/301–303, 306, 332, 334, 336, 345,  
381/361–363, 386–388

CPC ..... G06F 1/1688; H04R 1/02; H04R 1/025;  
H04R 1/026; H04R 1/323; H04R 1/403;  
H04R 1/2803; H04R 1/2834; H04R 5/02;  
H04R 9/06; H04R 2201/021; H04R  
2400/00; H04R 2400/07; H04R 2499/11

See application file for complete search history.

(56) **References Cited**

U.S. PATENT DOCUMENTS

D364,165 S \* 11/1995 Esslinger ..... D14/213  
D460,962 S \* 7/2002 Peiker ..... D14/253

D487,075 S 2/2004 Dayan  
D503,397 S \* 3/2005 Stevens ..... D14/224  
D518,029 S \* 3/2006 Tsang ..... D14/216  
D542,279 S \* 5/2007 Chan ..... D14/216  
D598,899 S 8/2009 Tkachuk  
D604,945 S \* 12/2009 Tkachuk ..... D3/218  
D608,760 S \* 1/2010 Xie ..... D14/188  
D644,206 S 8/2011 Ponnert  
D670,271 S 11/2012 Tzeng  
D686,186 S \* 7/2013 Kaneko ..... D14/168

(Continued)

**FOREIGN PATENT DOCUMENTS**

TW M326302 1/2008

*Primary Examiner* — Derrick E Holland

*Assistant Examiner* — Janice Julia Patyk

(74) *Attorney, Agent, or Firm* — Wei Te Chung; Ming Chieh Chang

(57) **CLAIM**

The ornamental design for a set of portable speakers, as shown and described.

**DESCRIPTION**

FIG. 1 is a perspective view of a portable speaker showing our new design;

FIG. 2 is a front elevational view thereof;

FIG. 3 is a rear elevational view thereof;

FIG. 4 is left side elevational view thereof;

FIG. 5 is a right side elevational view thereof;

FIG. 6 is a top plan view thereof;

FIG. 7 is a bottom plan view thereof;

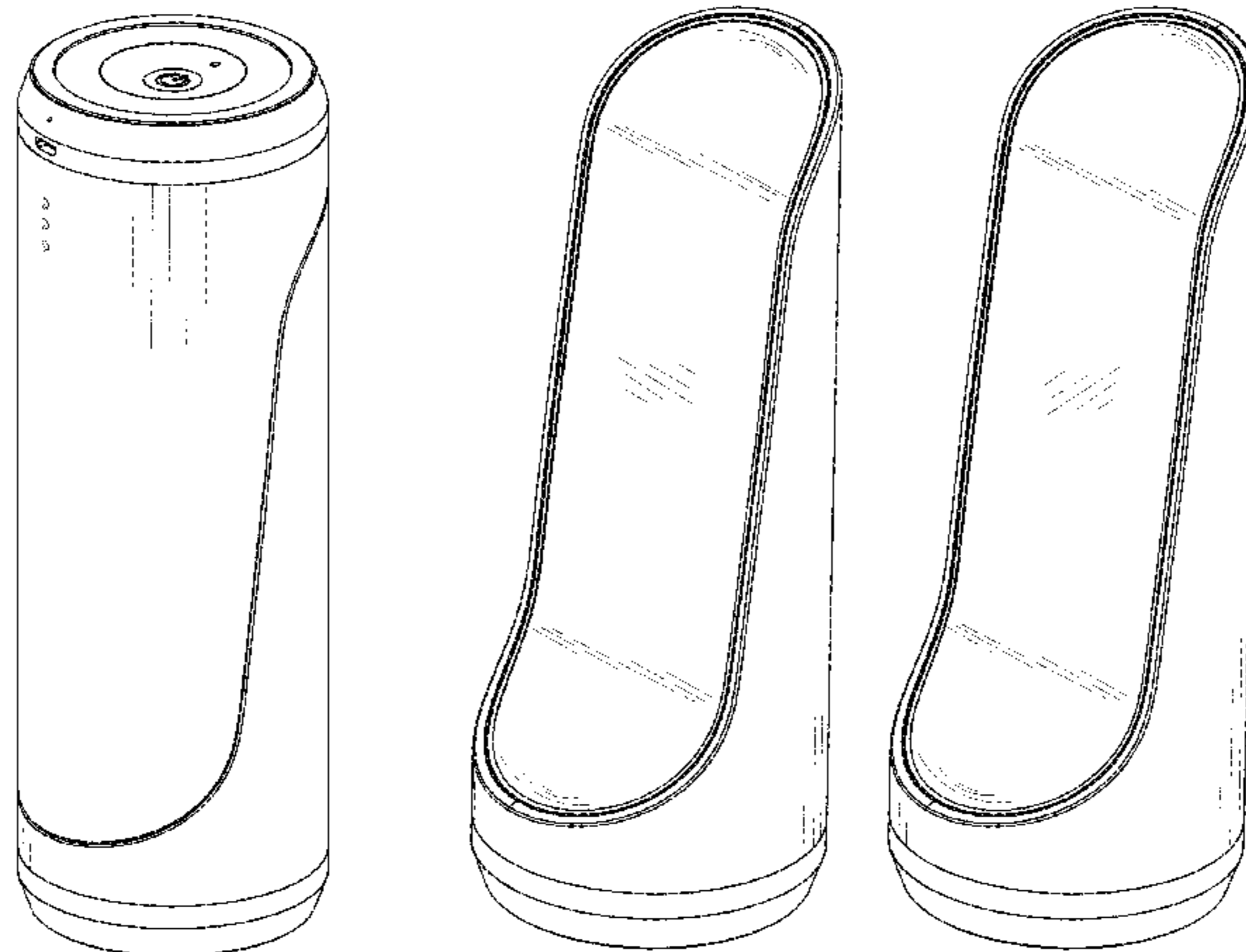
FIG. 8 is a perspective view thereof, shown in an assembled condition;

FIG. 9 is a first perspective view thereof;

FIG. 10 is second perspective view thereof; and,

FIG. 11 is third perspective view thereof.

**1 Claim, 11 Drawing Sheets**



(56)

**References Cited**

U.S. PATENT DOCUMENTS

D719,137 S \* 12/2014 Cheng ..... D14/216  
D726,686 S \* 4/2015 Yoon ..... D14/216

\* cited by examiner

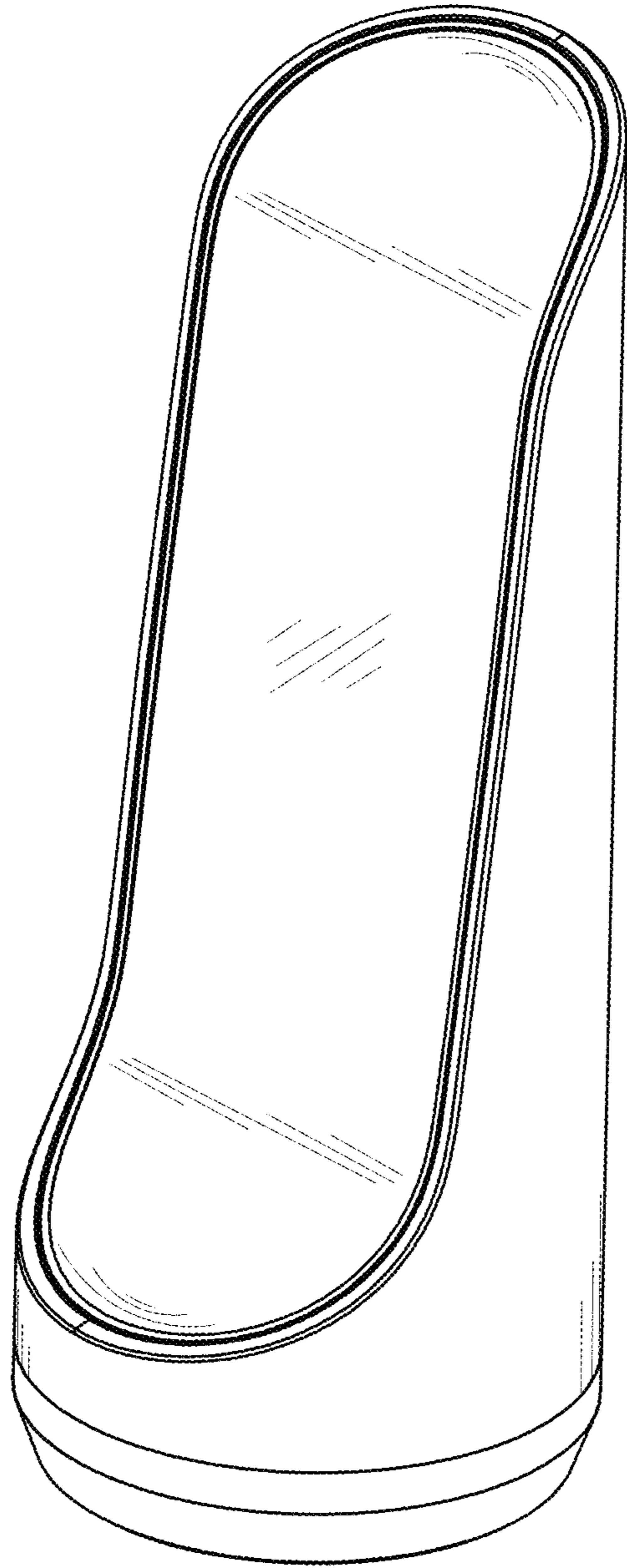


FIG. 1

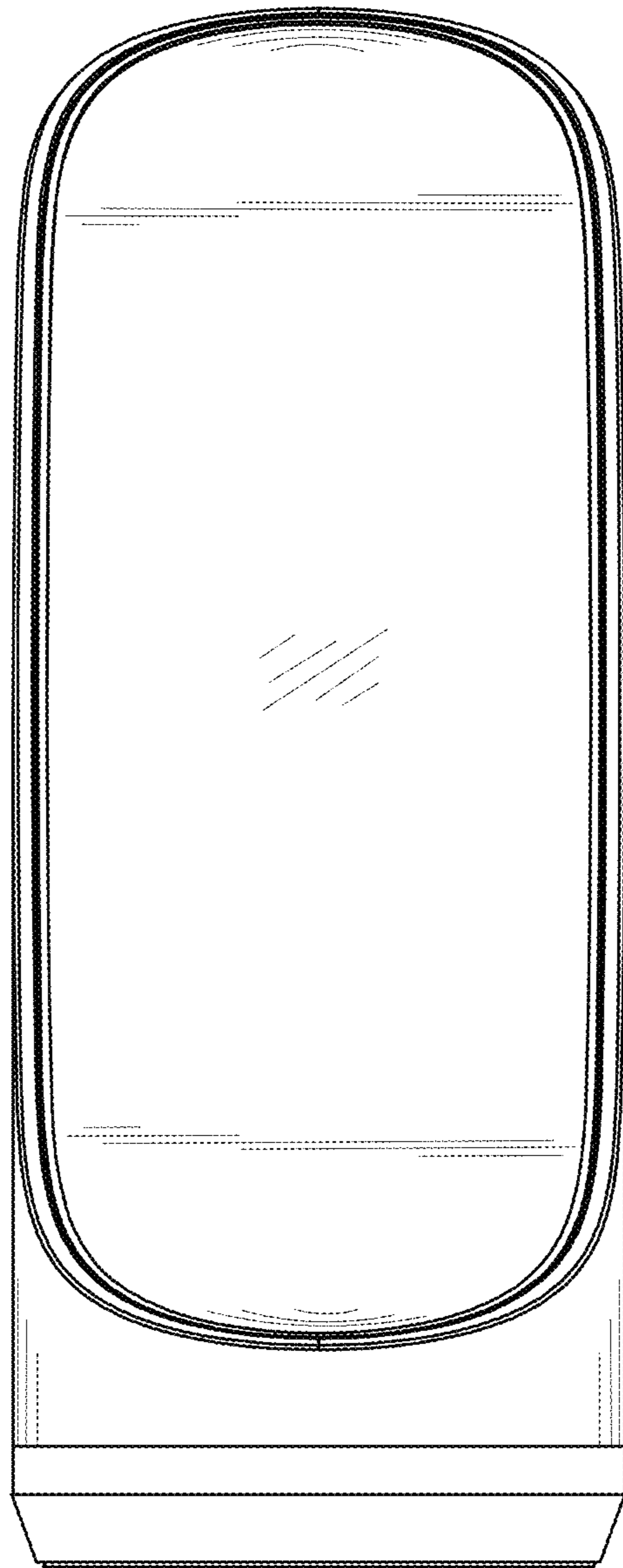


FIG. 2

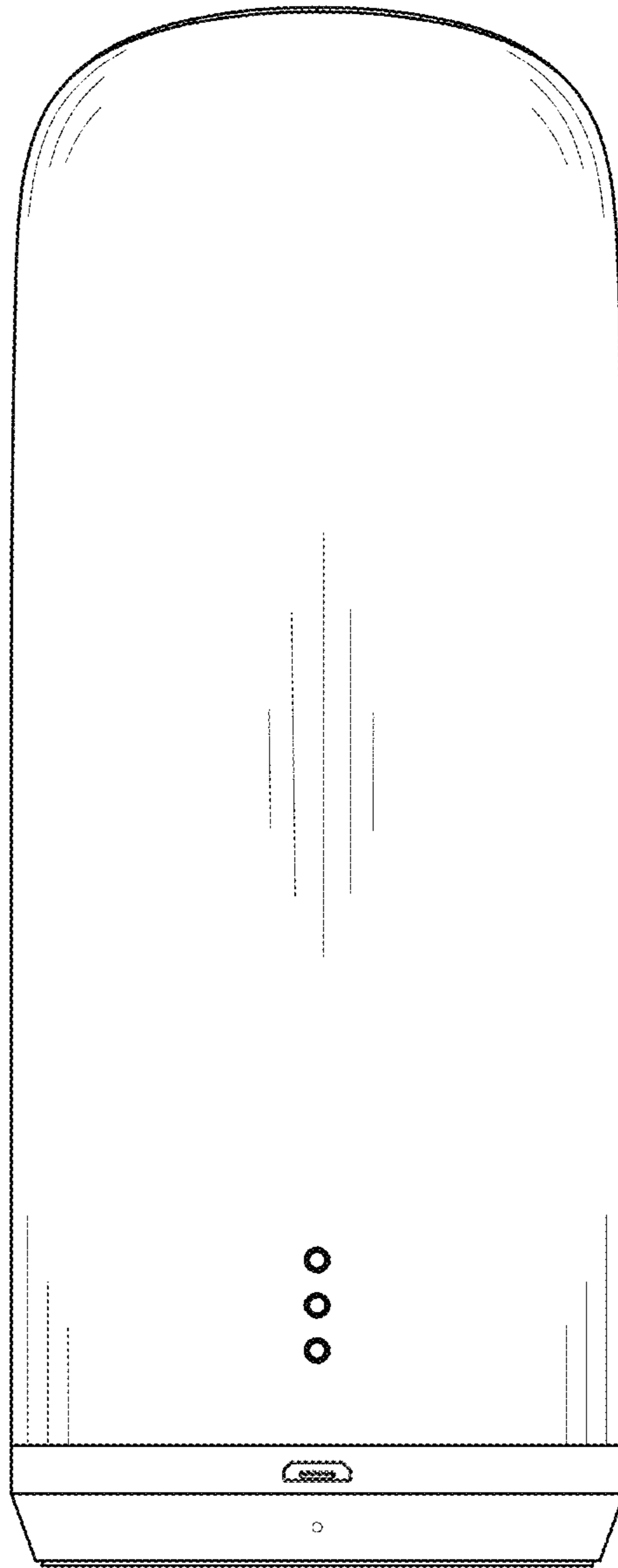


FIG. 3

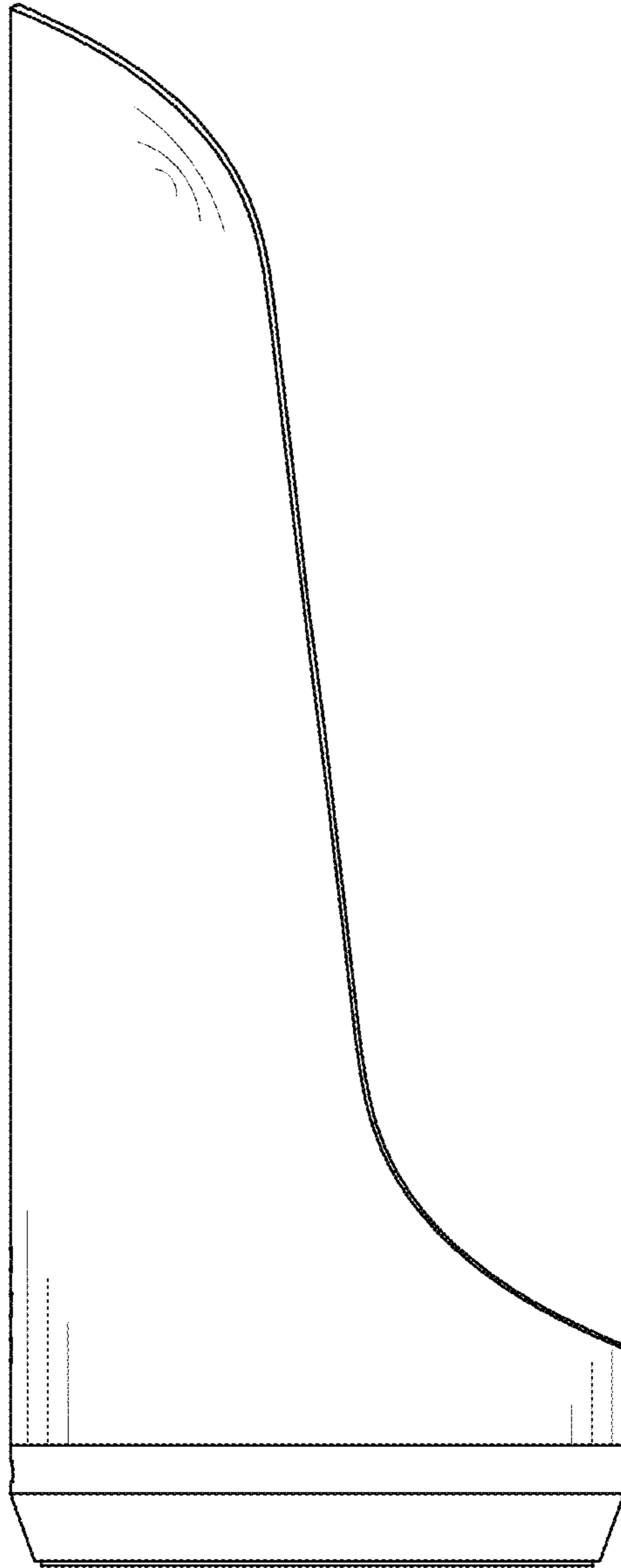


FIG. 4

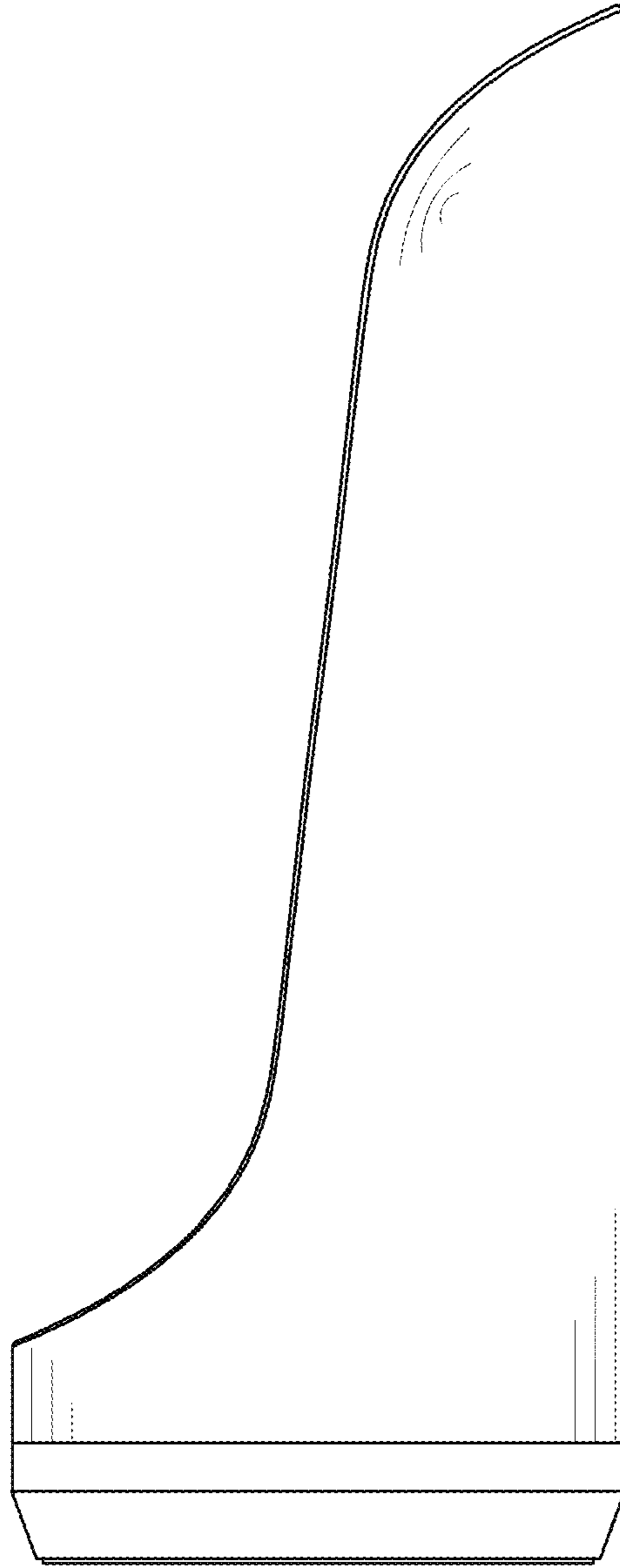


FIG. 5

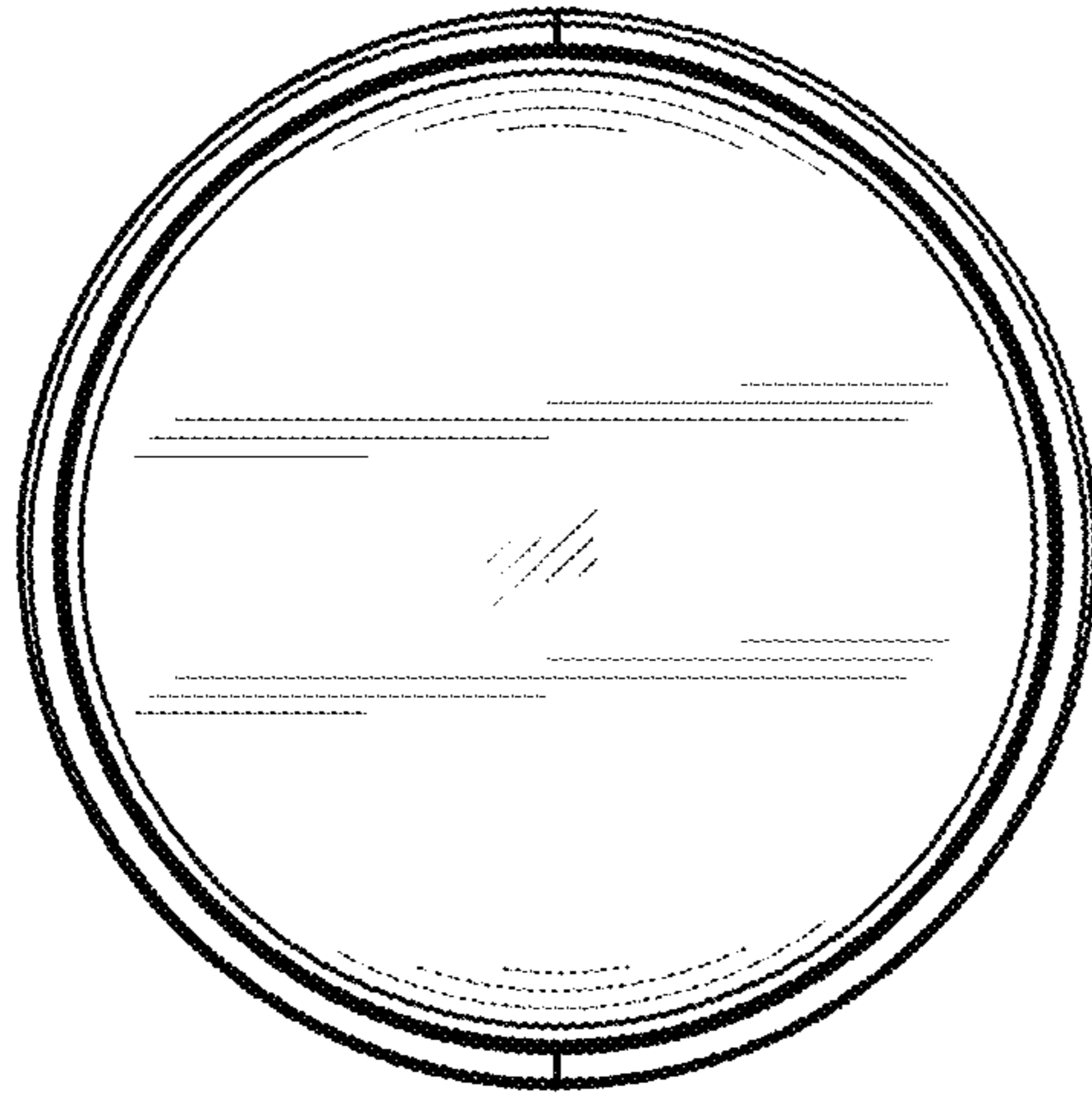


FIG. 6



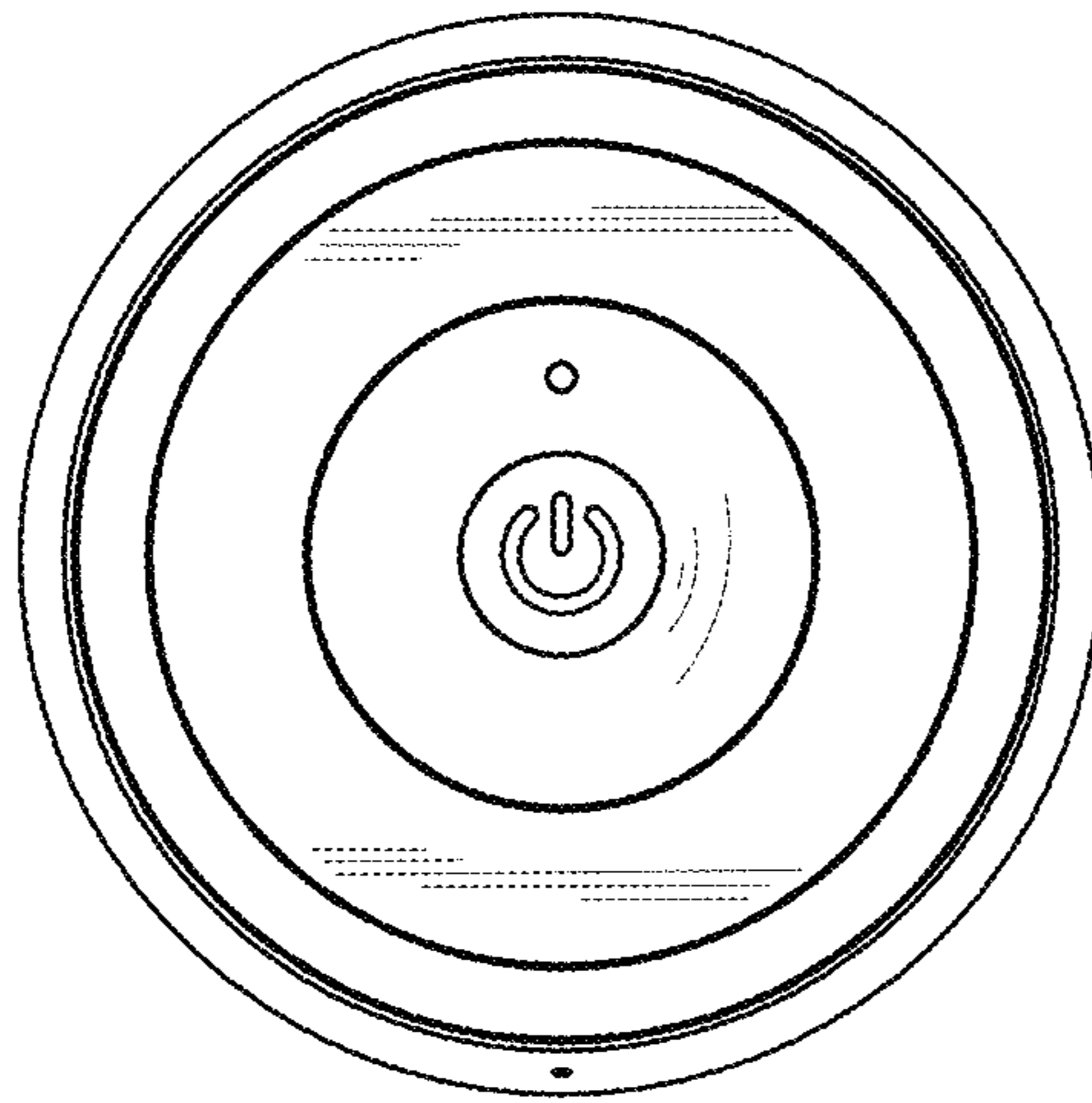


FIG. 7

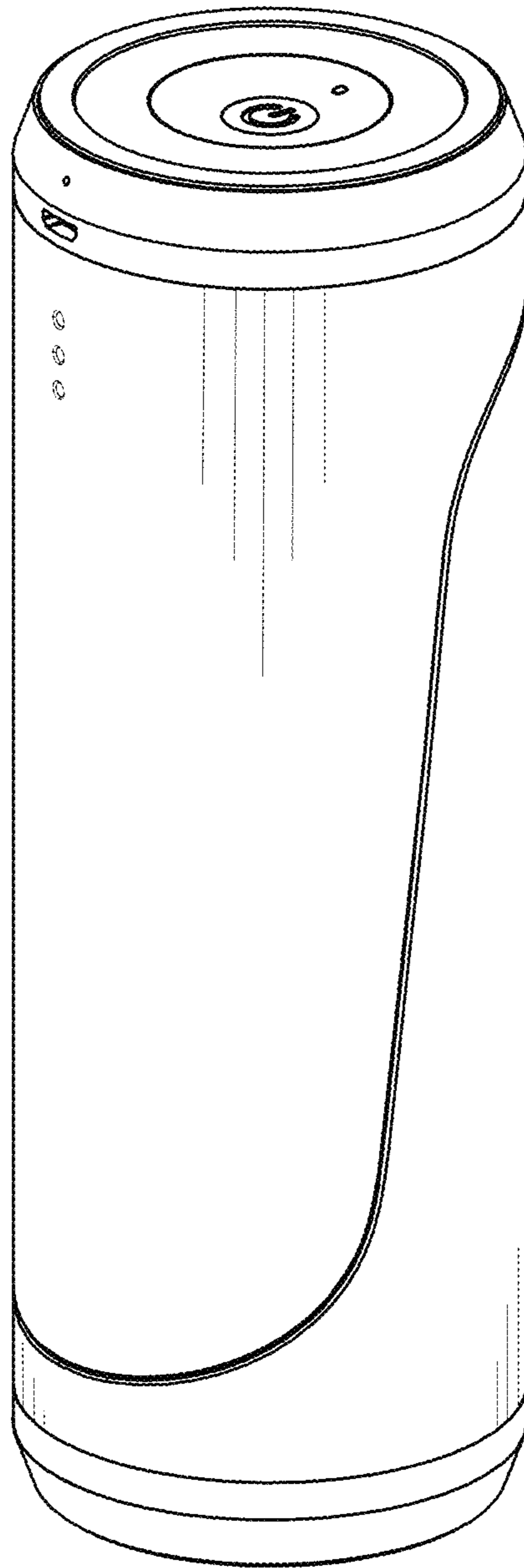


FIG. 8

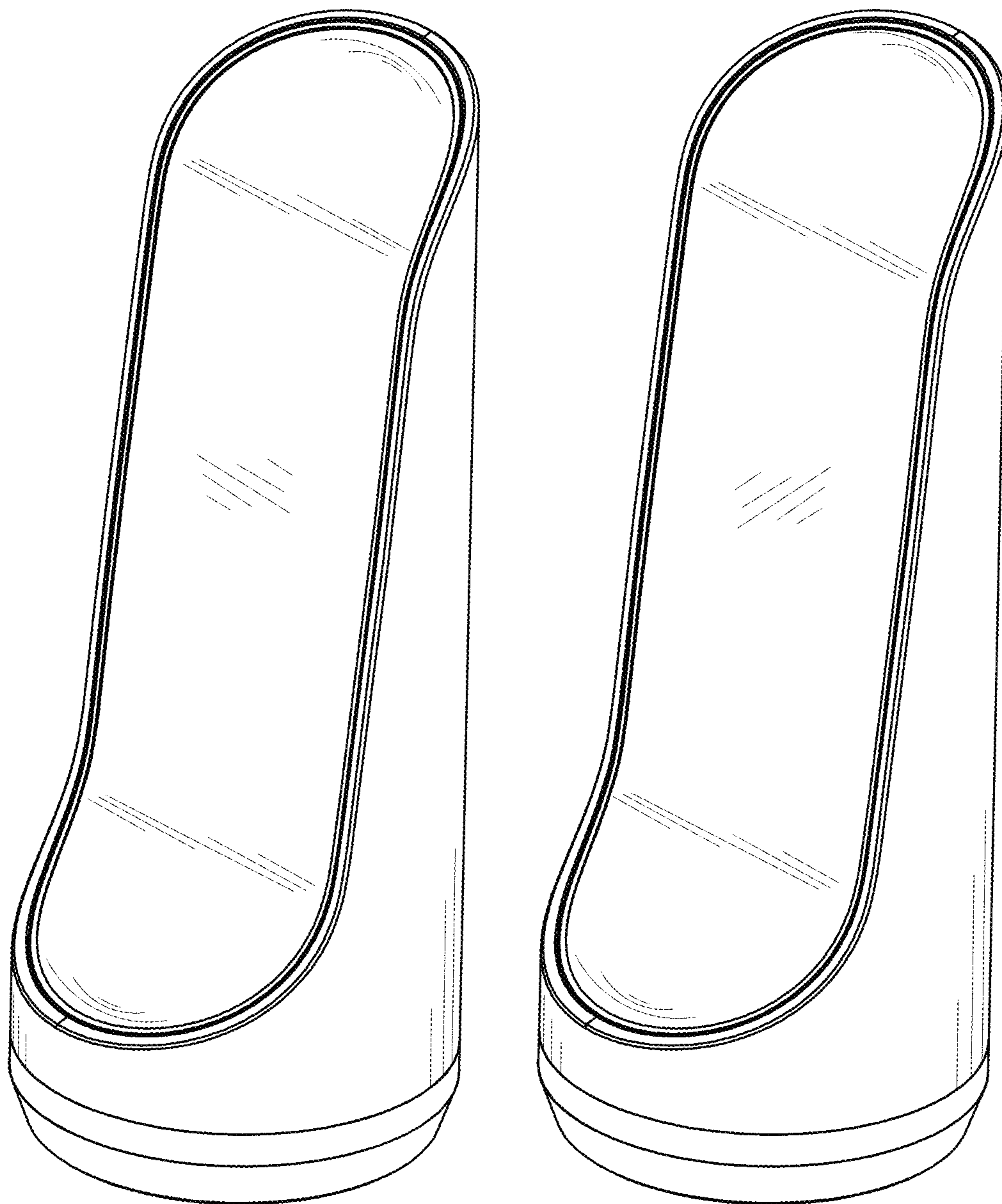


FIG. 9

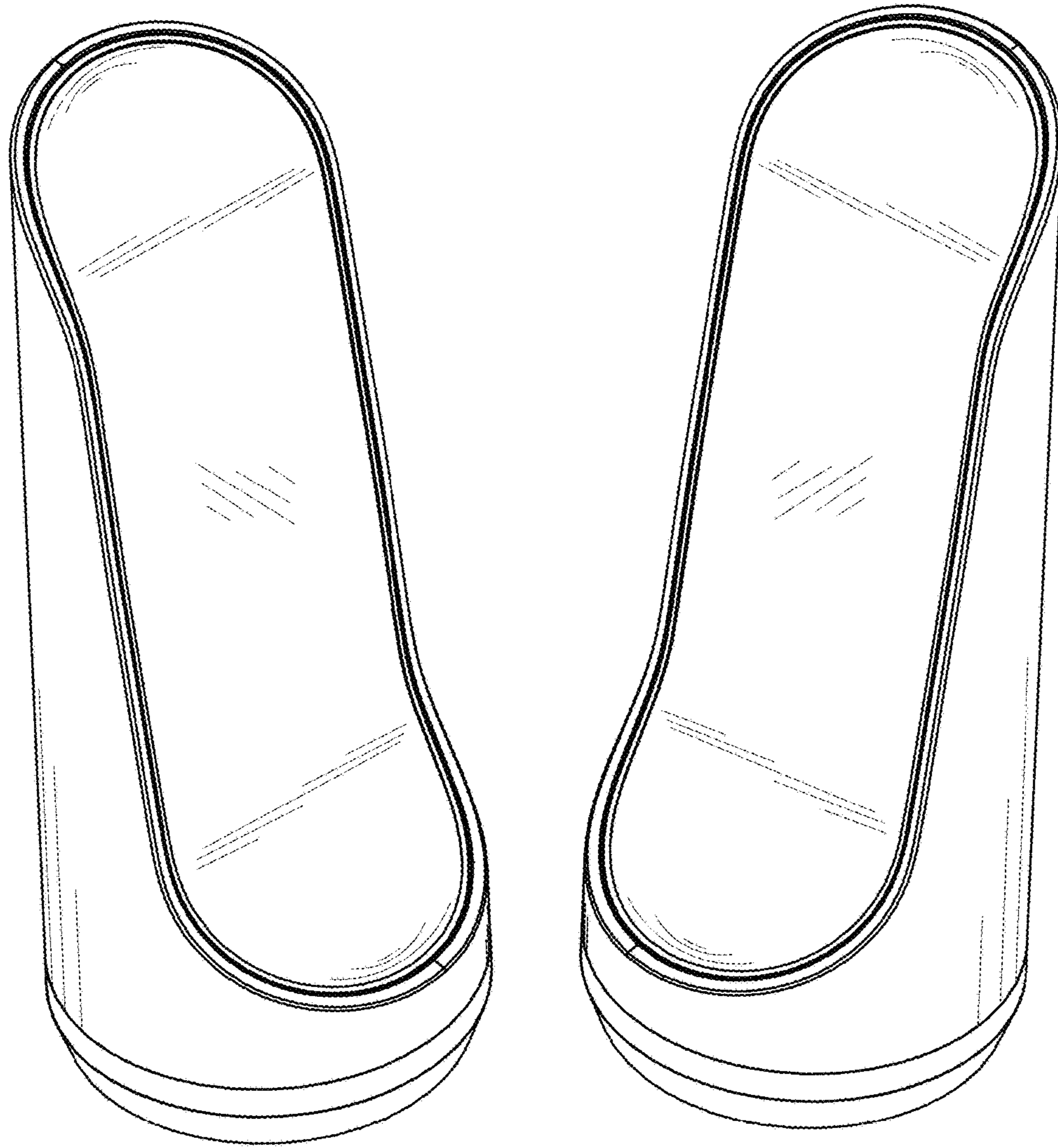


FIG. 10

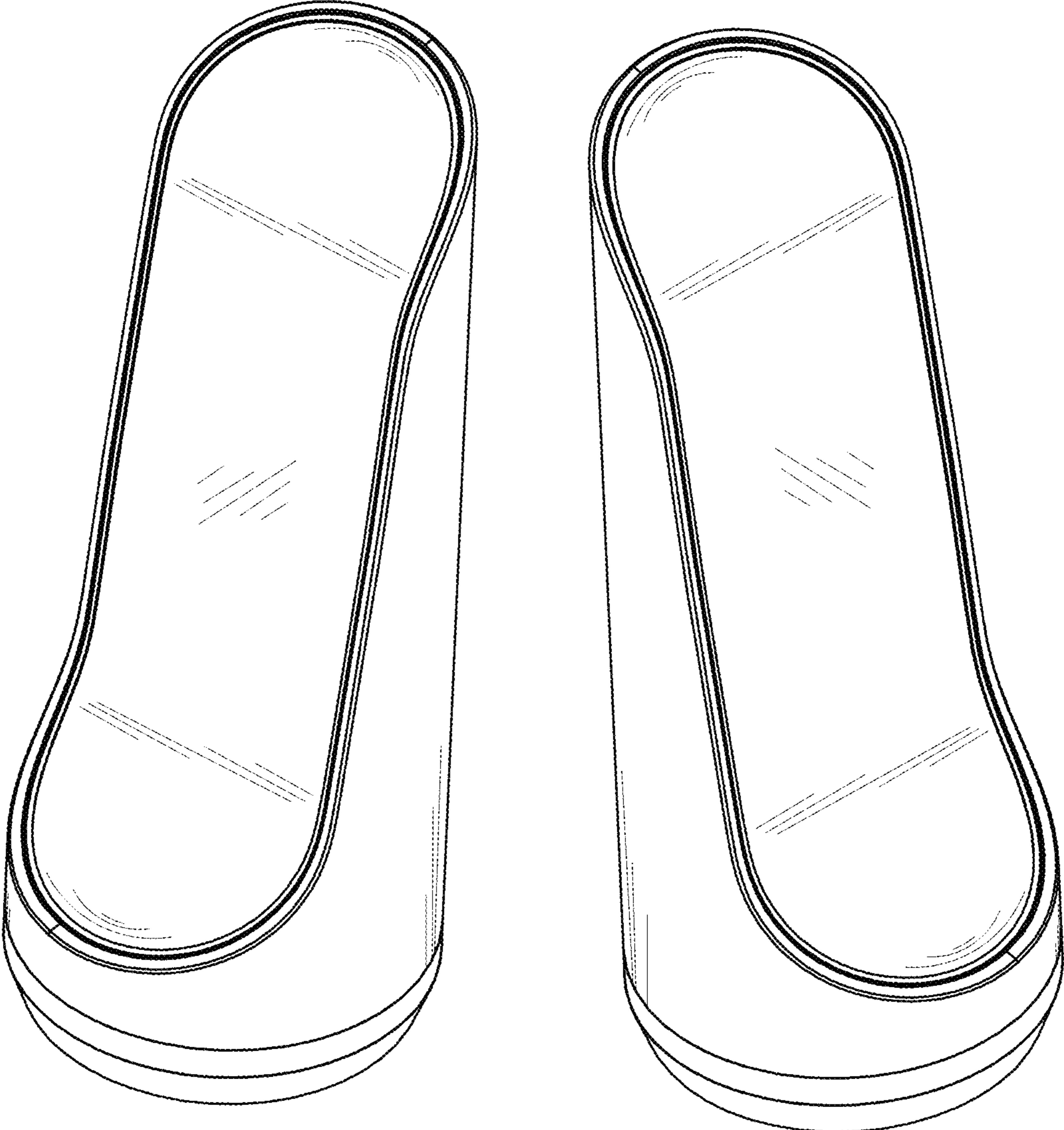


FIG. 11