



US00D836076S

(12) **United States Design Patent**
Cho et al.

(10) **Patent No.:** **US D836,076 S**
(45) **Date of Patent:** **** Dec. 18, 2018**

(54) **MOBILE PHONE**
(71) Applicant: **LG ELECTRONICS INC.**, Seoul (KR)
(72) Inventors: **Minsu Cho**, Seoul (KR); **Boyoung Lee**, Seoul (KR)
(73) Assignee: **LG ELECTRONICS INC.**, Seoul (KR)
(**) Term: **15 Years**
(21) Appl. No.: **29/556,286**
(22) Filed: **Feb. 29, 2016**
(30) **Foreign Application Priority Data**

Aug. 31, 2015 (KR) 30-2015-0043895

(51) **LOC (11) Cl.** **14-03**
(52) **U.S. Cl.**
USPC **D14/138 AD**
(58) **Field of Classification Search**
USPC D14/138 AA, 138 AB, 138 AD, 138 AC,
D14/138 C, 138 G, 138 R, 248, 250, 253,
D14/341, 440; D3/215, 218, 269;
D21/324, 329, 330, 332
CPC . E06B 2009/405; G09F 13/22; B65H 75/364;
H04M 1/03; H04B 1/3888; H04N 5/2252
See application file for complete search history.

(56) **References Cited**

U.S. PATENT DOCUMENTS

6,498,597 B1 * 12/2002 Sawano G09F 11/29
345/107
6,680,724 B2 * 1/2004 Lichtfuss G06F 1/1626
345/102
D503,045 S * 3/2005 Hahn D6/300
D518,109 S * 3/2006 Opolka D20/42

7,023,418 B2 * 4/2006 Nakamura G02F 1/133615
345/102
7,184,086 B2 * 2/2007 Tamura H04N 5/2251
348/333.06
7,679,644 B2 * 3/2010 Funato H04N 1/00127
348/207.2

(Continued)

FOREIGN PATENT DOCUMENTS

WO WO 2016064240 A1 * 4/2016 G06F 1/16

Primary Examiner — Sheryl Lane

Assistant Examiner — Calvin E Vansant

(74) *Attorney, Agent, or Firm* — Birch, Stewart, Kolasch & Birch, LLP

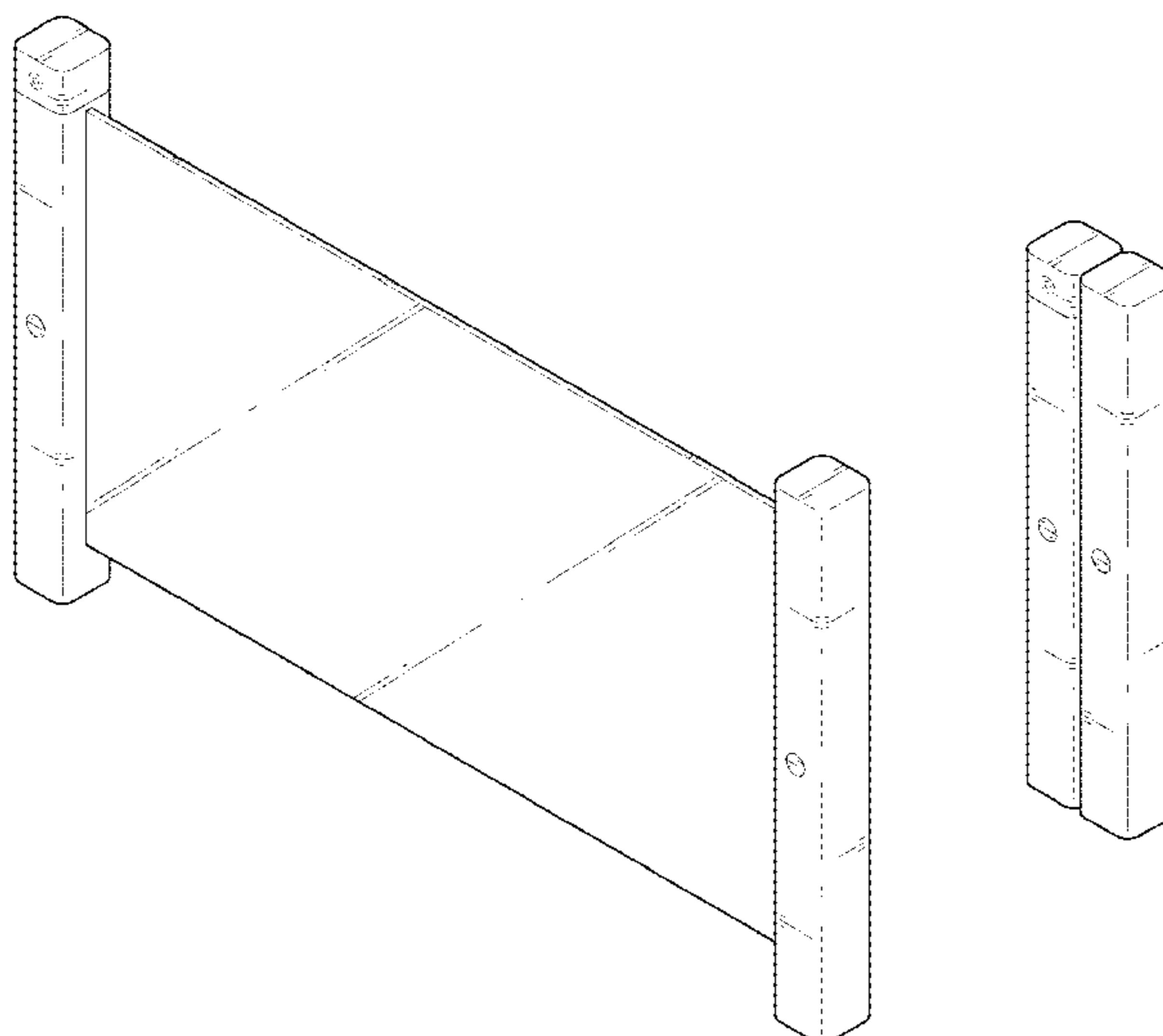
(57) **CLAIM**

The ornamental design for a mobile phone, as shown and described.

DESCRIPTION

FIG. 1 is a front perspective view of a mobile phone showing our new design in which the display part has been unrolled; FIG. 2 is a front view thereof; FIG. 3 is a rear view thereof; FIG. 4 is a left side view thereof; FIG. 5 is a right side view thereof; FIG. 6 is a top plan view thereof where the bottom plan view is a mirror image; FIG. 7 is a rear perspective view thereof; FIG. 8 is a front perspective view thereof in which the display part has been rolled; FIG. 9 is a front view of FIG. 8; FIG. 10 is a rear view of FIG. 8; and, FIG. 11 is a top plan view of FIG. 8 where the bottom plan view is a mirror image. The broken lines shown in FIGS. 1, 2, 8 and 9 depict portions of the mobile phone that form no part of the claimed design.

1 Claim, 11 Drawing Sheets



(56)

References Cited

U.S. PATENT DOCUMENTS

7,830,333	B2 *	11/2010	Aoki	G06F 1/1601 345/1.3
8,502,788	B2 *	8/2013	Cho	G06F 1/1626 345/173
9,098,241	B1 *	8/2015	Cho	H05K 1/028
D744,998	S *	12/2015	Ahn	D14/341
2003/0160892	A1 *	8/2003	Tamura	H04N 5/2251 348/333.07
2004/0183958	A1 *	9/2004	Akiyama	G09F 9/30 349/58
2008/0086925	A1 *	4/2008	Yang	H04M 1/0268 40/610
2010/0033435	A1 *	2/2010	Huitema	G06F 1/1615 345/173
2010/0060548	A1 *	3/2010	Choi	G06F 3/0414 345/1.3
2013/0127917	A1 *	5/2013	Kwack	G06F 1/1652 345/660
2014/0362512	A1 *	12/2014	Hinson	G06F 15/025 361/679.21
2016/0034000	A1 *	2/2016	Lee	G06F 1/1652 361/749
2016/0205791	A1 *	7/2016	Kim	G06F 1/1652 361/679.01

* cited by examiner

FIG. 1

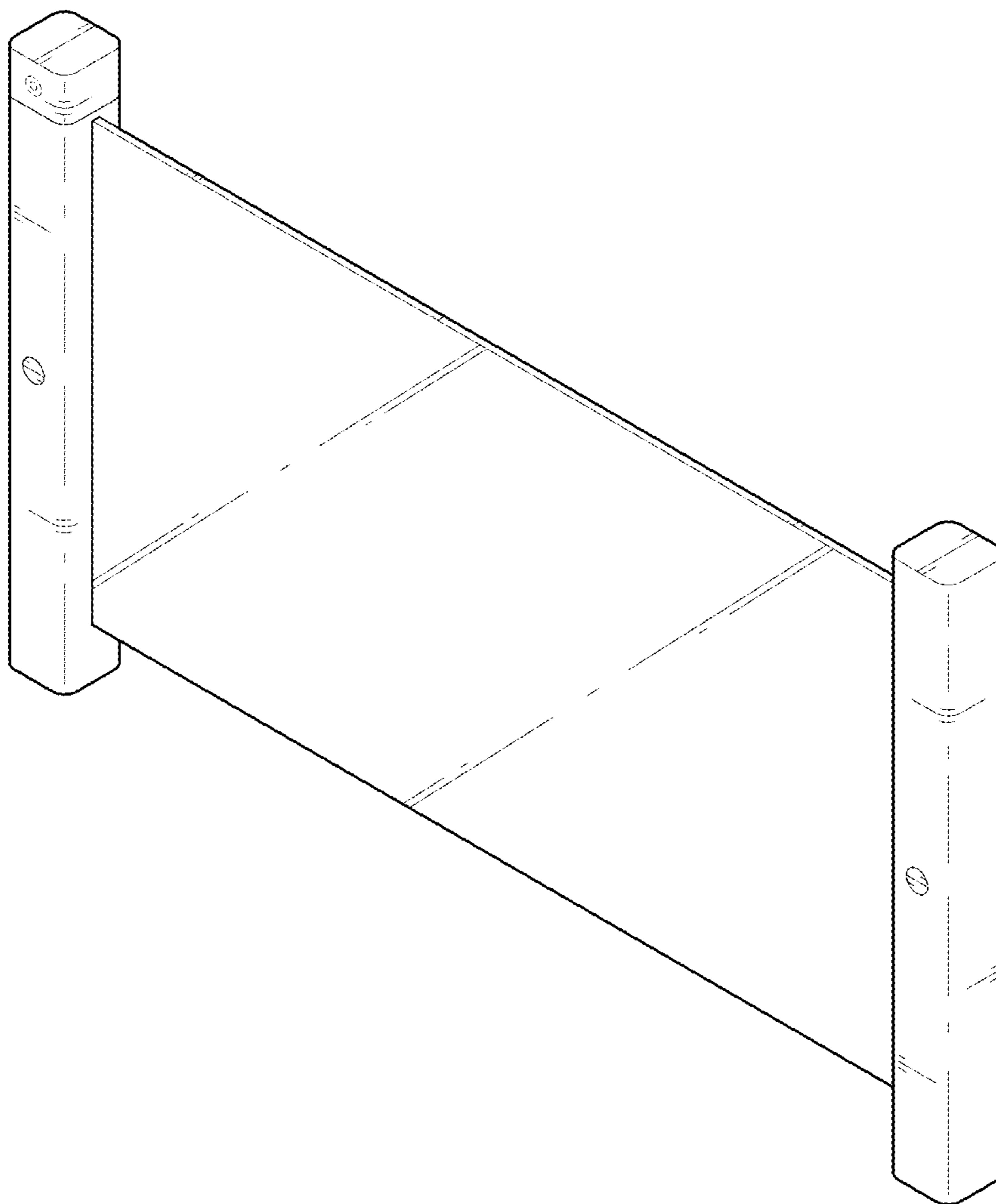


FIG. 2

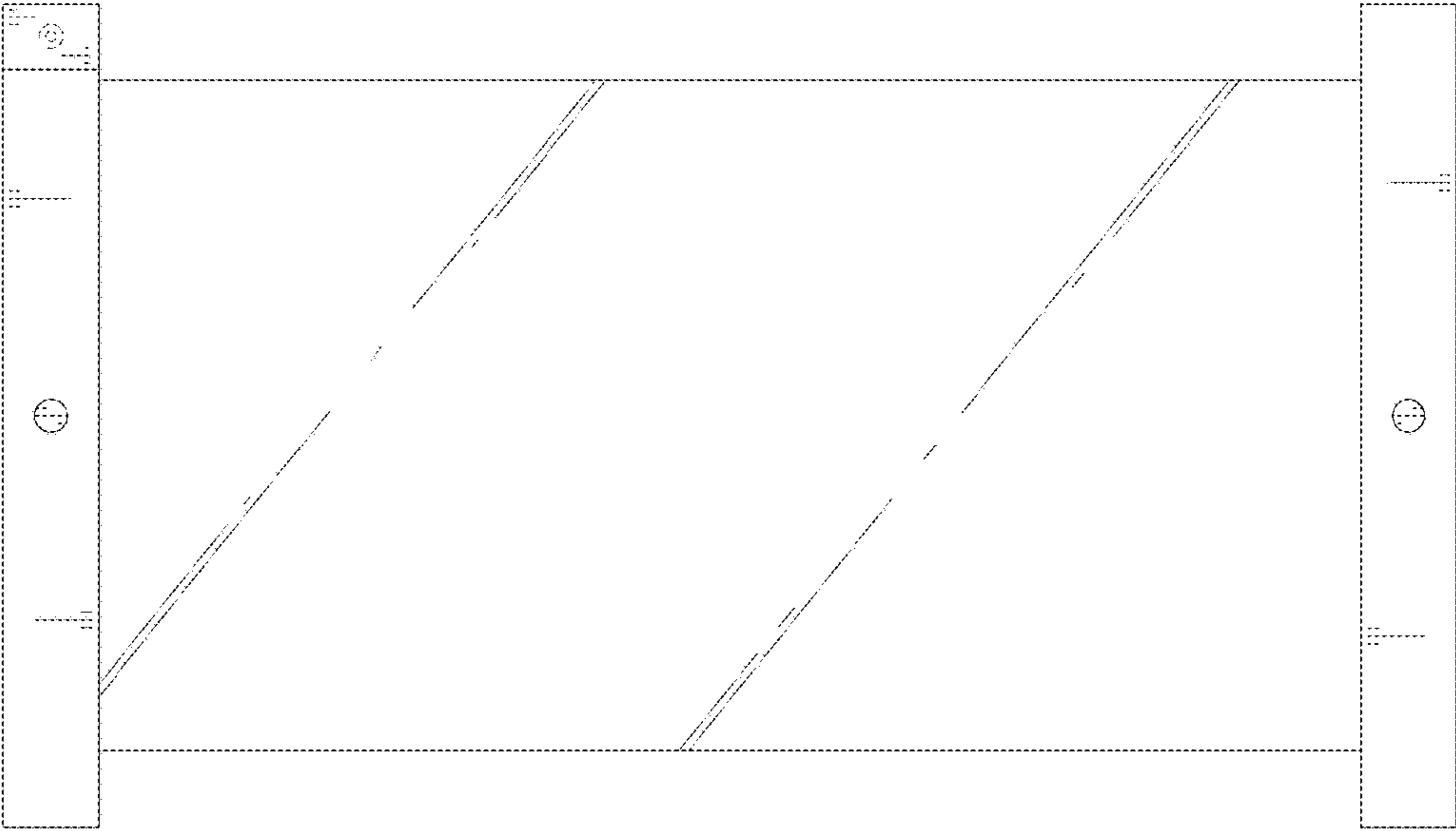


FIG. 3

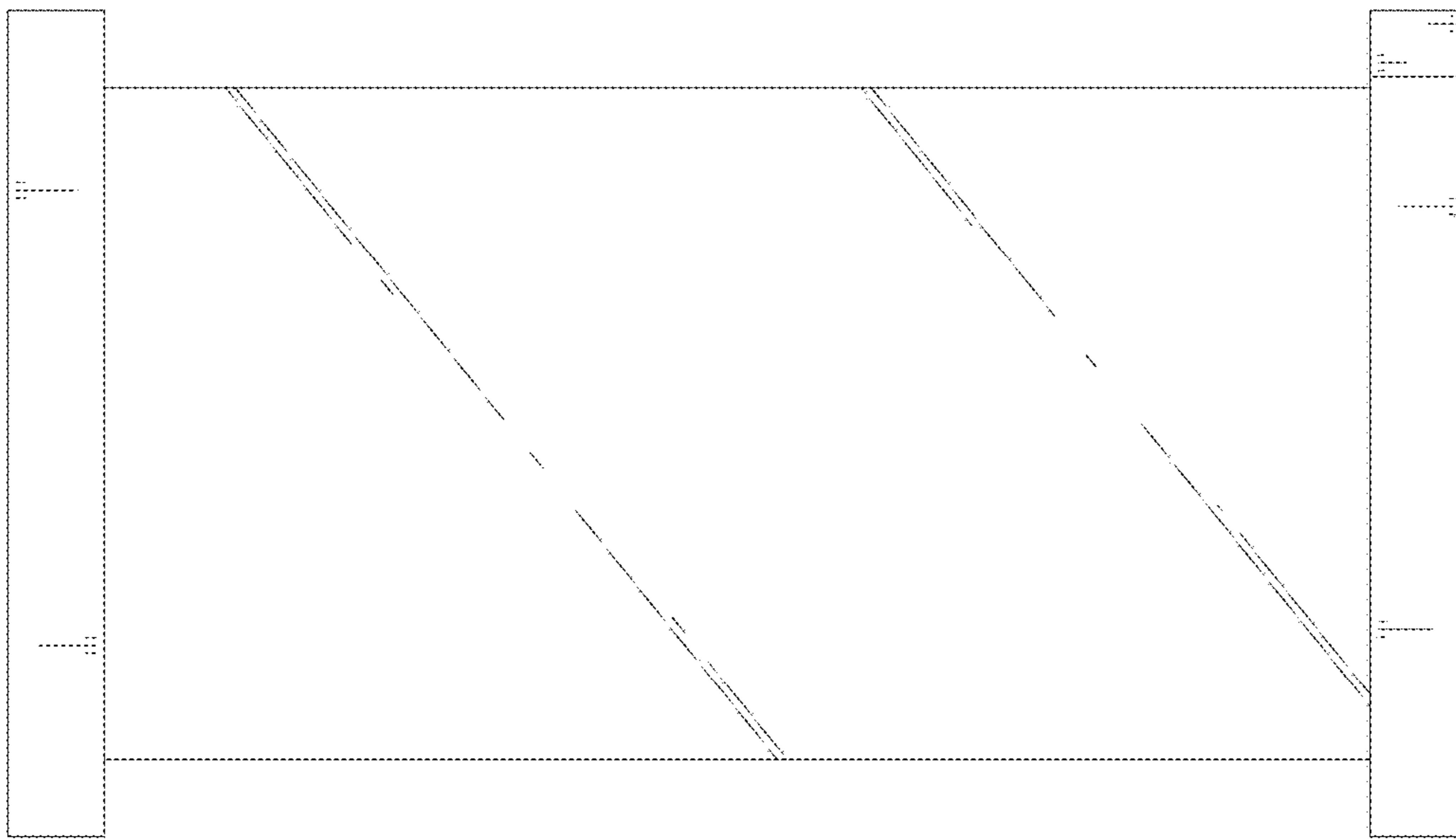


FIG. 4



FIG. 5



FIG. 6

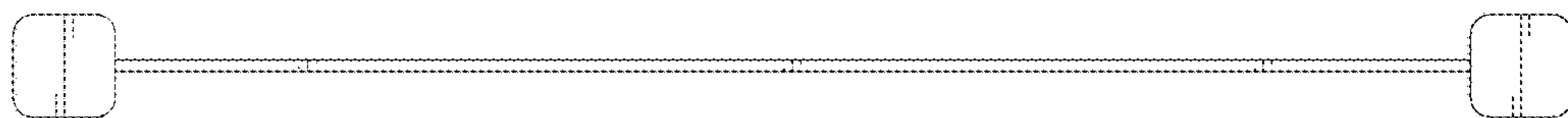


FIG. 7

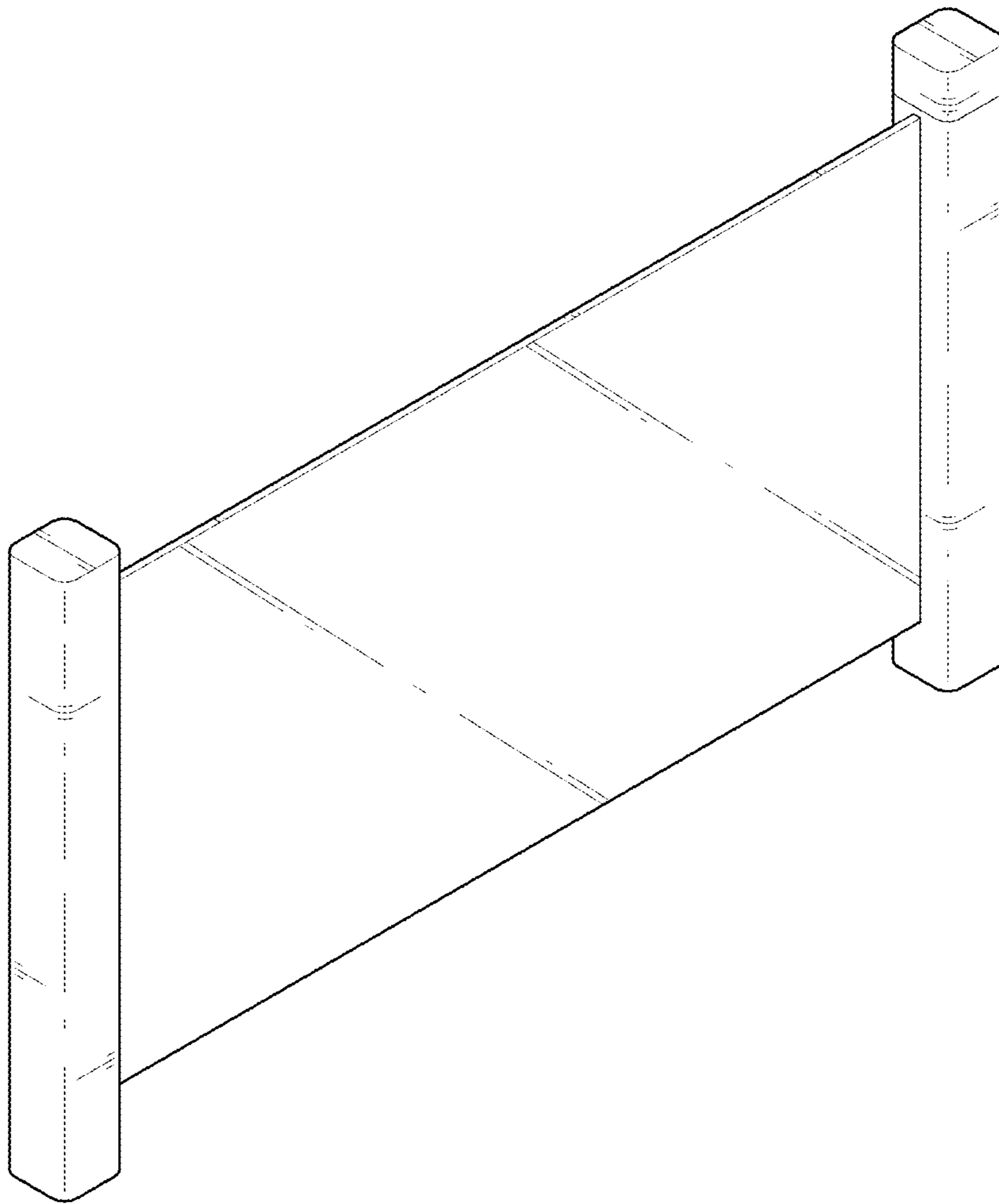


FIG. 8

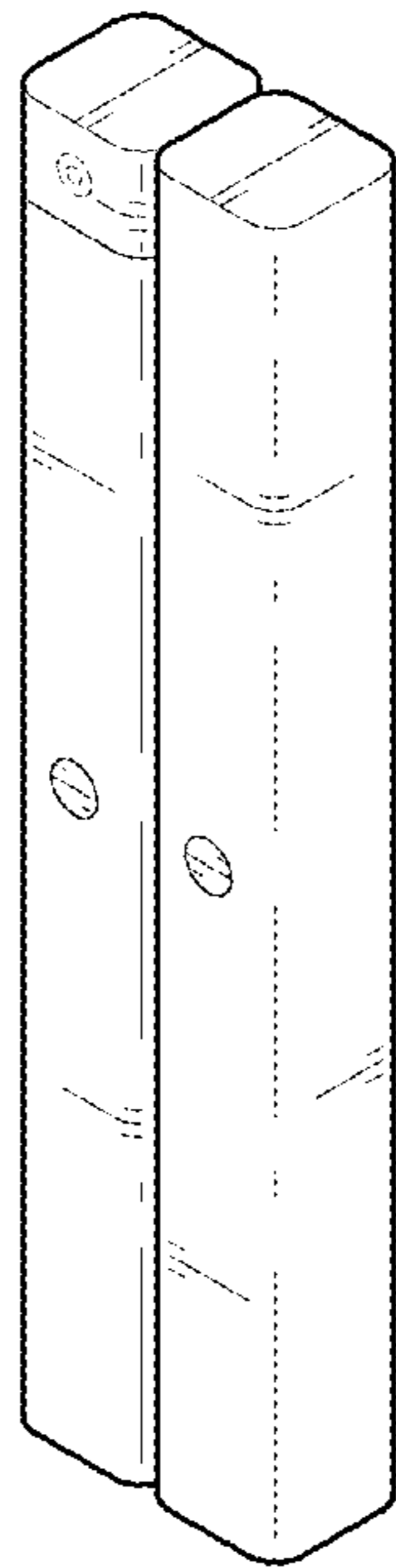


FIG. 9

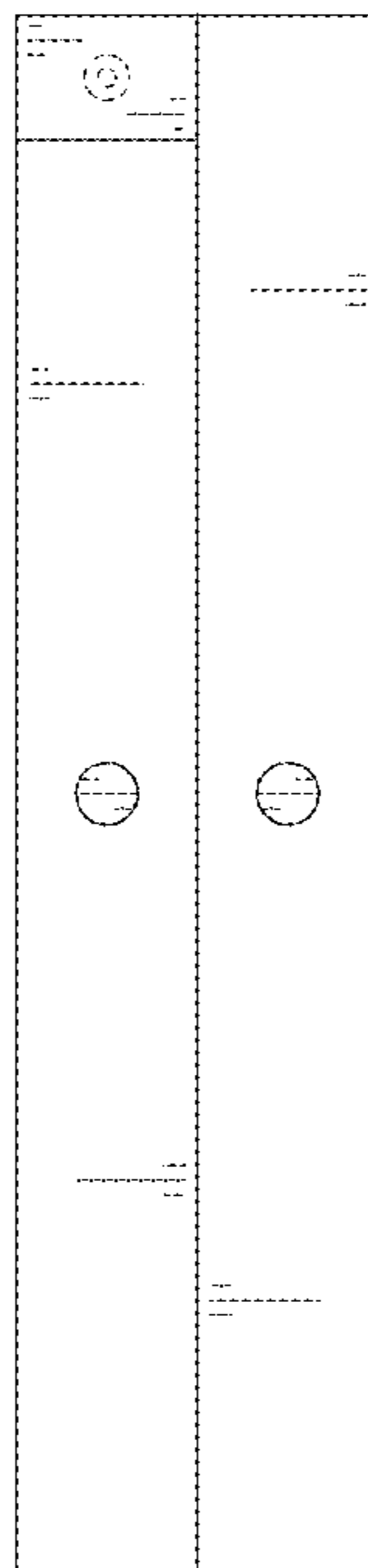


FIG. 10

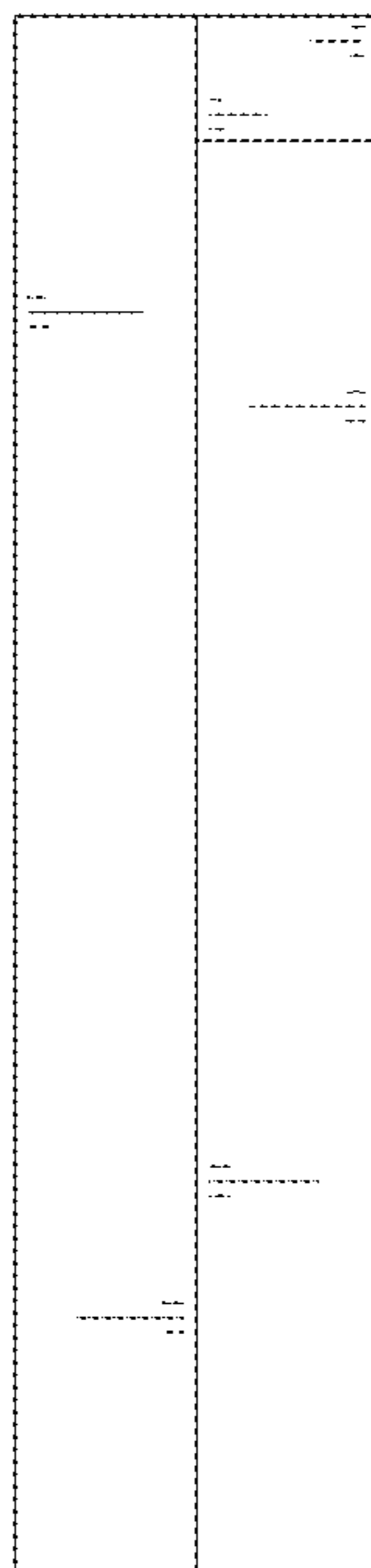


FIG. 11

