



US00D836075S

(12) **United States Design Patent** (10) **Patent No.:** **US D836,075 S**  
**Ryu et al.** (45) **Date of Patent:** **\*\* Dec. 18, 2018**

(54) **TV RECEIVER**

(71) Applicant: **LG ELECTRONICS INC.**, Seoul (KR)

(72) Inventors: **Junghan Ryu**, Seoul (KR); **Sehdong Yoo**, Seoul (KR); **Bodeung Hwang**, Seoul (KR); **Yuonui Chong**, Seoul (KR); **Yongseok Kim**, Seoul (KR); **Seonkyu Kim**, Seoul (KR)

(73) Assignee: **LG ELECTRONICS INC.**, Seoul (KR)

(\*\*) Term: **15 Years**

(21) Appl. No.: **35/502,932**

(22) Filed: **Nov. 8, 2016**

(80) **Hague Agreement Data**

Int. Filing Date: **Nov. 8, 2016**  
Int. Reg. No.: **DM/093489**  
Int. Reg. Date: **Nov. 8, 2016**  
Int. Reg. Pub. Date: **May 12, 2017**

(51) **LOC (11) Cl.** ..... **14-03**

(52) **U.S. Cl.**  
USPC ..... **D14/126**

(58) **Field of Classification Search**  
USPC ..... D14/125-134, 239, 336, 371, 373-377,  
D14/379-380, 382, 447, 448, 450, 451,  
D14/452; D21/329, 332, 515; D10/26  
(Continued)

(56) **References Cited**

**U.S. PATENT DOCUMENTS**

D464,050 S \* 10/2002 Mori ..... D14/375  
D536,310 S \* 2/2007 Kao ..... D14/126  
(Continued)

**OTHER PUBLICATIONS**

Dehneli, Fulden, Plants, pulleys and a surfboard, posted at Dezeen, posting date Aug. 9, 2017. [online] [site visited Apr. 26, 2018].

Available from Internet. <URL: <https://www.dezeen.com/2017/08/09/samsung-qled-tv-stand-design-competition-shortlist-plants-pulleys-surfboard/>> (Year: 2017).\*

(Continued)

*Primary Examiner* — George D. Kirschbaum

*Assistant Examiner* — Kathleen L Jones

(74) *Attorney, Agent, or Firm* — Birch, Stewart, Kolasch & Birch, LLP

(57) **CLAIM**

The ornamental design for a TV receiver, as shown and described.

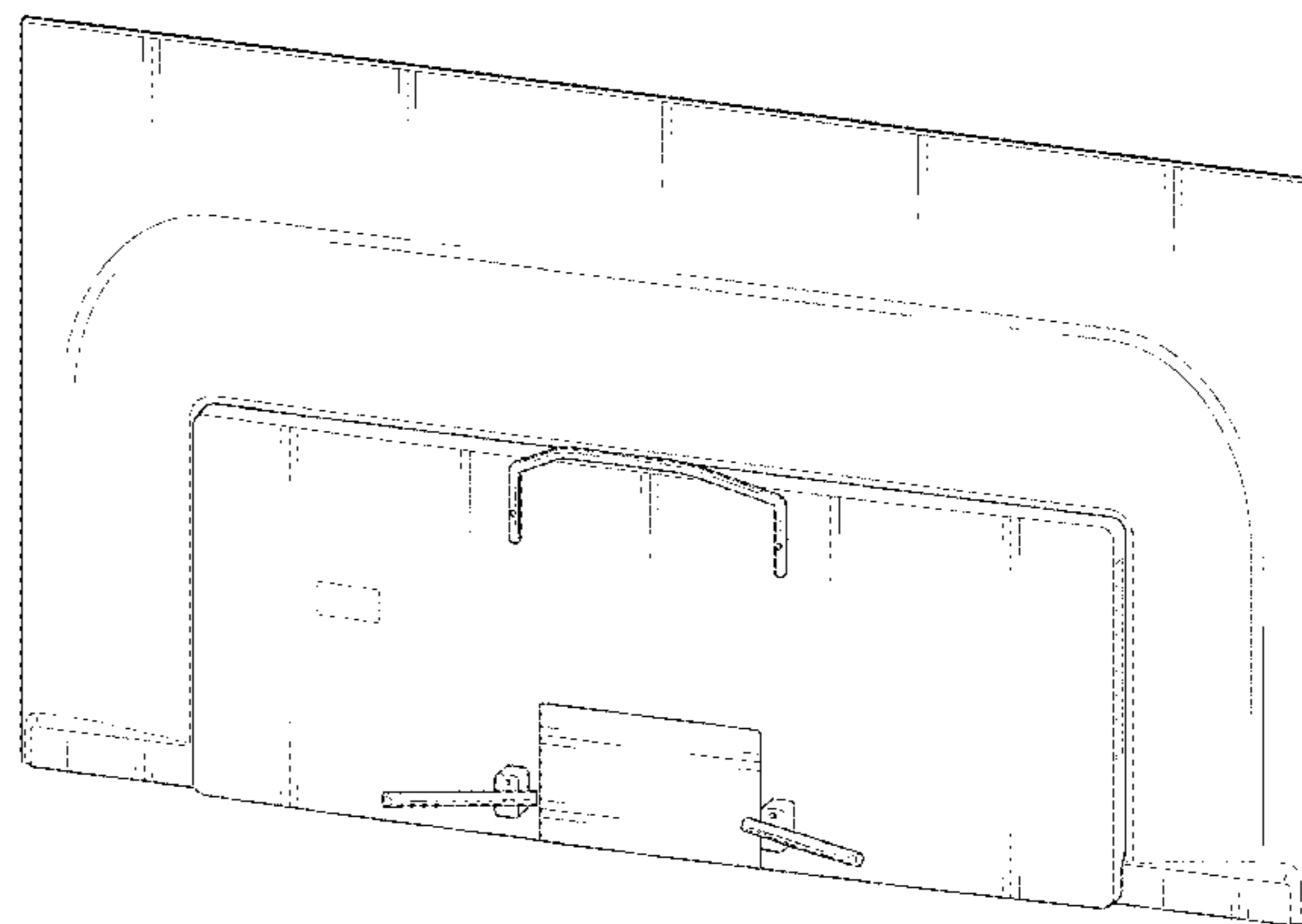
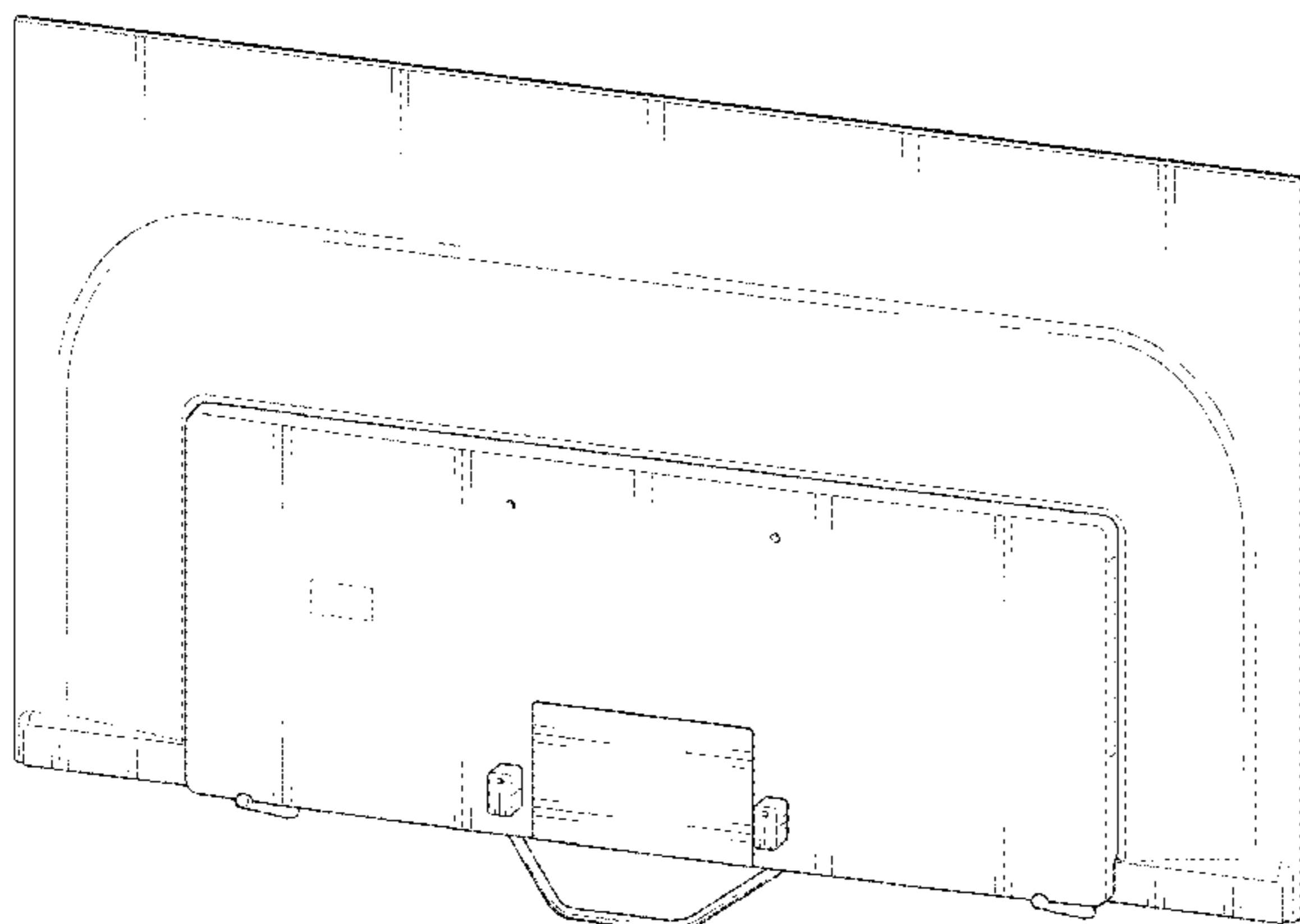
**DESCRIPTION**

- 1. TV receiver
- 1.1 : Perspective
- 1.2 : Rear perspective
- 1.3 : Front
- 1.4 : Back
- 1.5 : Left
- 1.6 : Right
- 1.7 : Top
- 1.8 : Bottom
- 1.9 : Perspective
- 1.10 : Rear perspective
- 1.11 : Front
- 1.12 : Back
- 1.13 : Left
- 1.14 : Right
- 1.15 : Top
- 1.16 : Bottom
- 1.17 : Reference

Reproductions 1.1-1.8 show the TV receiver in a first position and reproductions 1.9-1.17 show the TV receiver in a second position.

The broken lines showing the contour on the back and the panels on the back, side and bottom of the TV receiver are for the purpose of illustrating portions of the article; the broken lines showing a wall and wall hook in reproduction 1.17 are for the purpose of illustrating environmental structure; all broken lines form no part of the claimed design.

**1 Claim, 11 Drawing Sheets**



(58) **Field of Classification Search**

CPC ..... G06F 1/16; G06F 1/1601; G06F 1/1637;  
 H04N 5/64; H05K 5/0017; H05K 5/0204;  
 H05K 5/0217

See application file for complete search history.

(56) **References Cited**

U.S. PATENT DOCUMENTS

D537,420 S *	2/2007	Tsai	.....	D14/126
D545,780 S *	7/2007	Kita	.....	D14/126
D560,626 S *	1/2008	Lee	.....	D14/126
D682,798 S *	5/2013	Lee	.....	D14/126
D699,713 S *	2/2014	Seong	.....	D14/239
D702,659 S *	4/2014	Yoo	.....	D14/126
D703,169 S *	4/2014	Kim	.....	D14/126
D718,730 S *	12/2014	Andresen	.....	D14/126
D722,989 S *	2/2015	Park	.....	D14/126
D726,195 S *	4/2015	Snyder	.....	D14/451
D726,668 S *	4/2015	Yoo	.....	D14/126

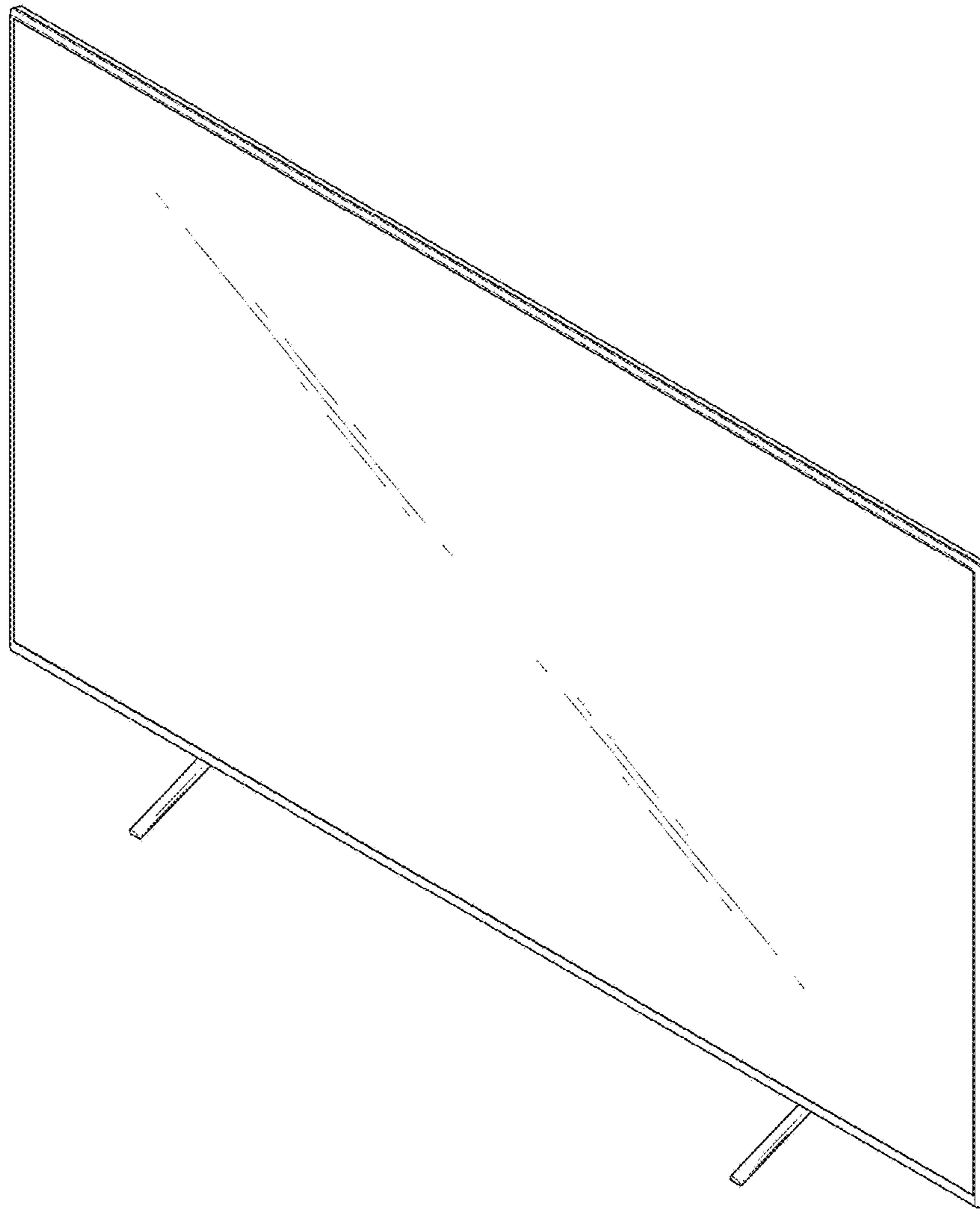
D735,153 S *	7/2015	Snyder	.....	D14/126
D750,584 S *	3/2016	Lee	.....	D14/126
D752,534 S *	3/2016	Jiang	.....	D14/126
D767,576 S *	9/2016	Wang	.....	D14/451
D768,591 S *	10/2016	Lee	.....	D14/126
D782,431 S *	3/2017	Lee	.....	D14/126
D810,039 S *	2/2018	Ryu	.....	D14/126
2002/0020789 A1 *	2/2002	Li	.....	G06F 1/1626 248/175
2007/0109734 A1 *	5/2007	Chen	.....	F16M 11/10 361/679.04
2014/0320752 A1 *	10/2014	Kawasaki	.....	H04N 5/655 348/836

OTHER PUBLICATIONS

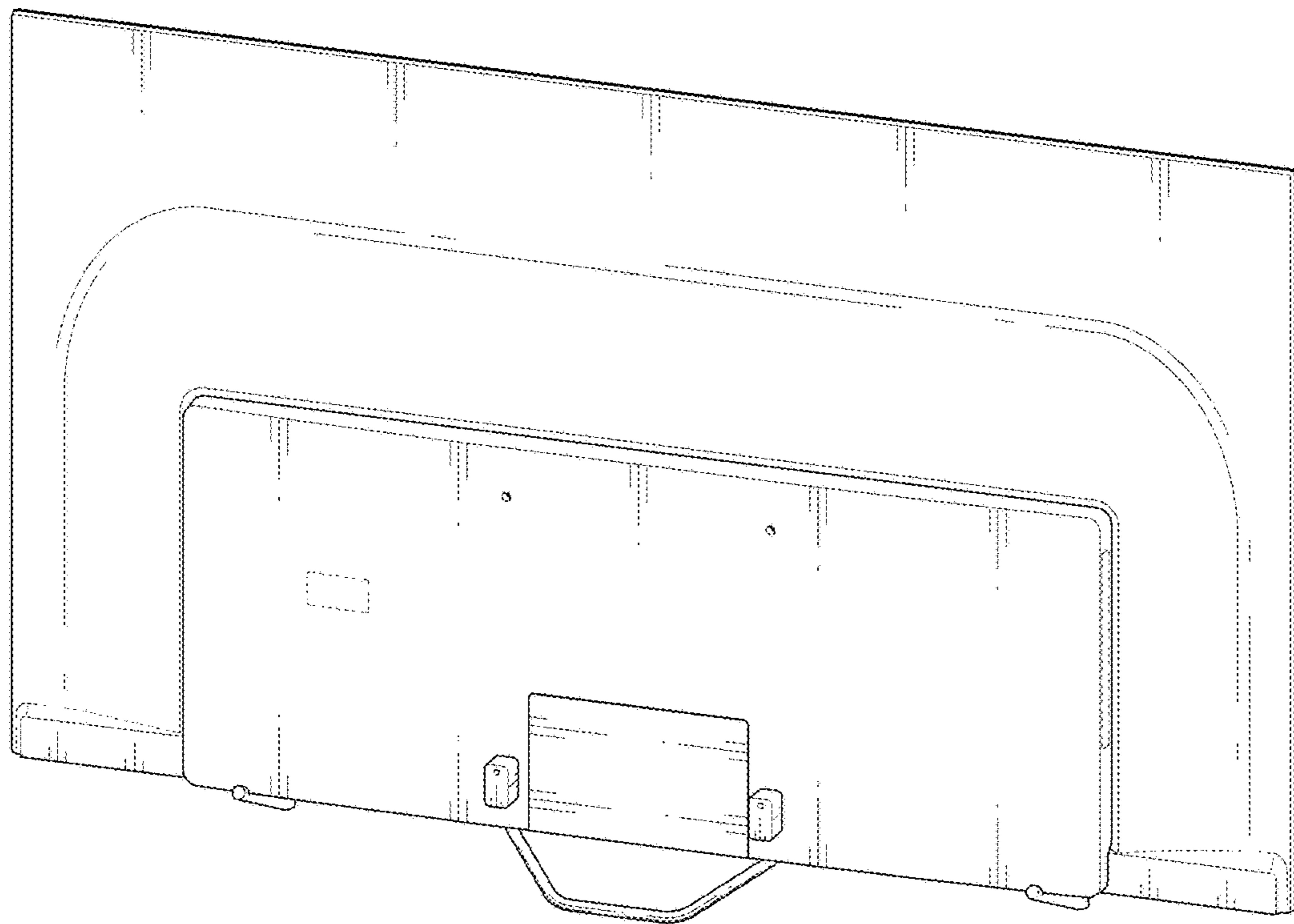
Sony W800C TV Review, posted at Rtings, posting date May 26, 2015. [online] [site visited Apr. 26, 2018]. Available from Internet. <URL: <https://www.rtings.com/tv/reviews/sony/w800c>> (Year: 2015).\*

\* cited by examiner

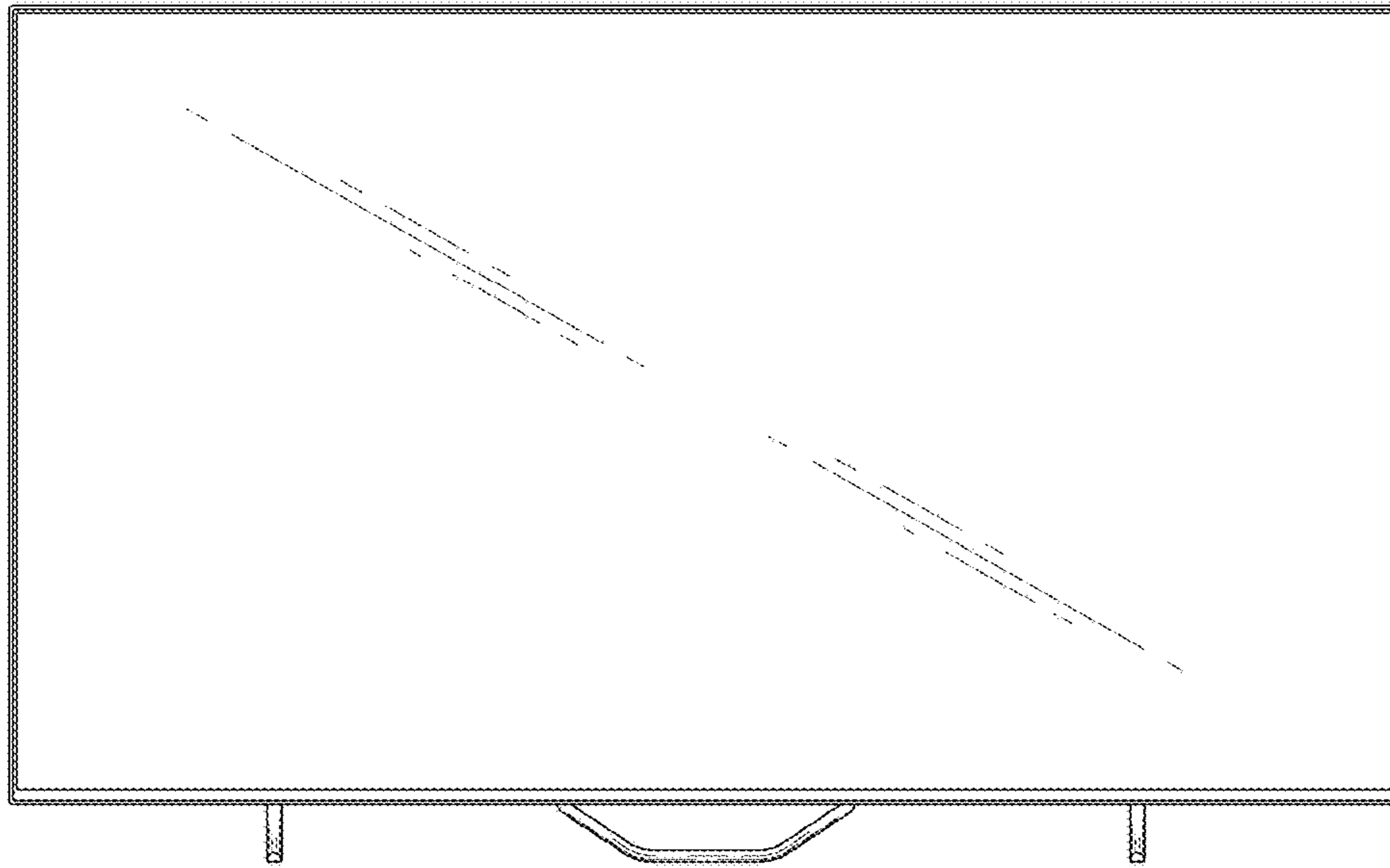
1.1



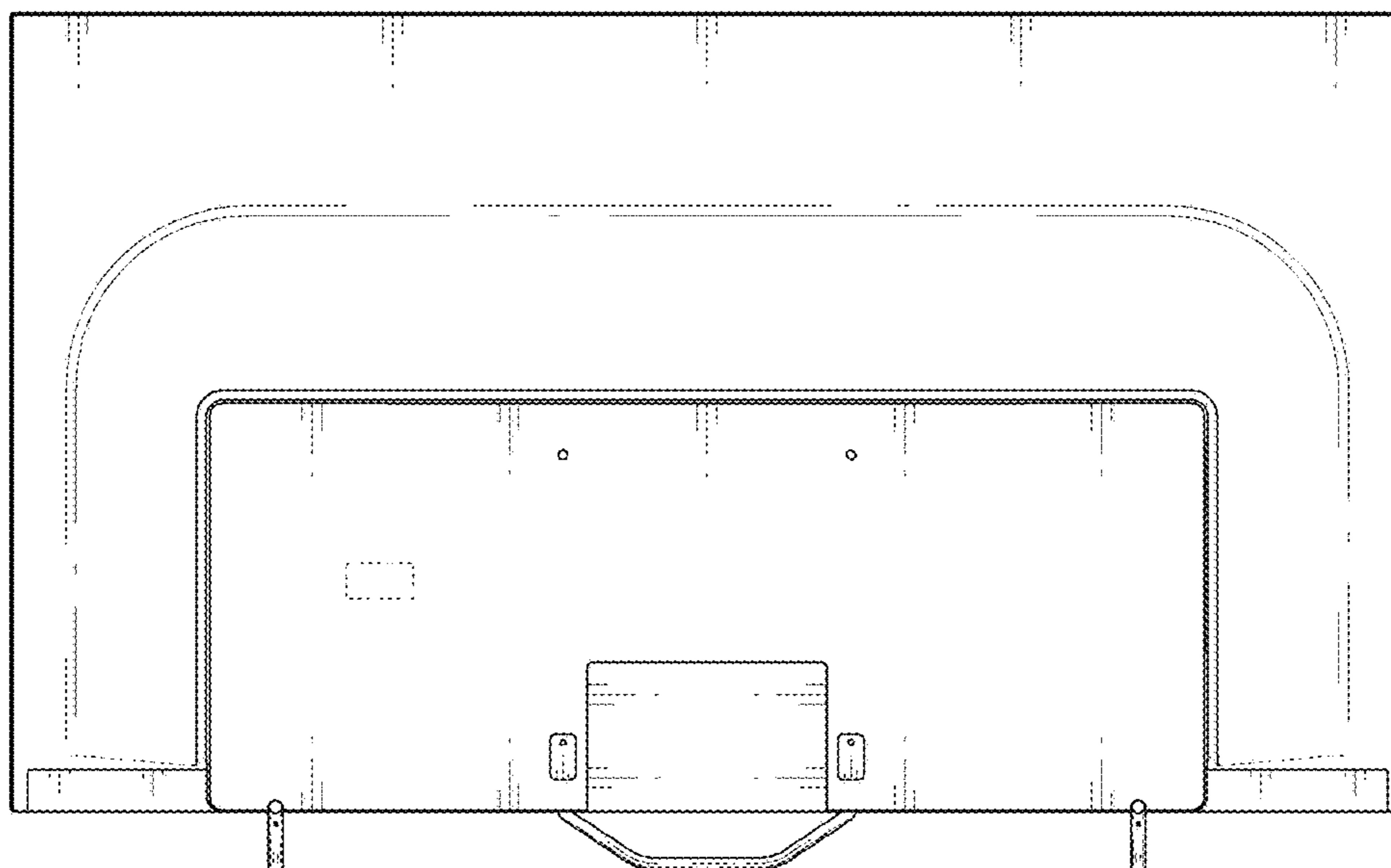
1.2



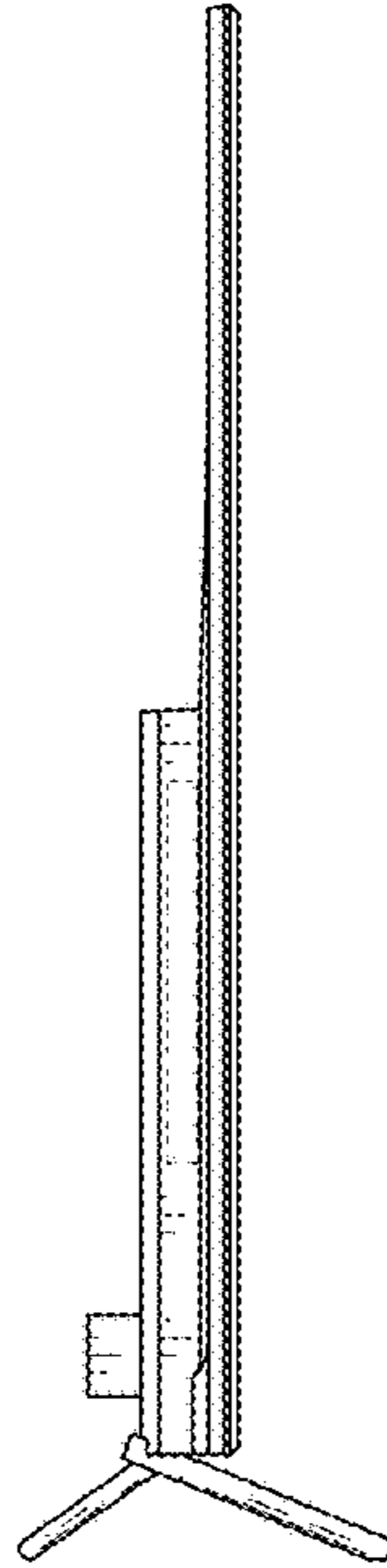
1.3



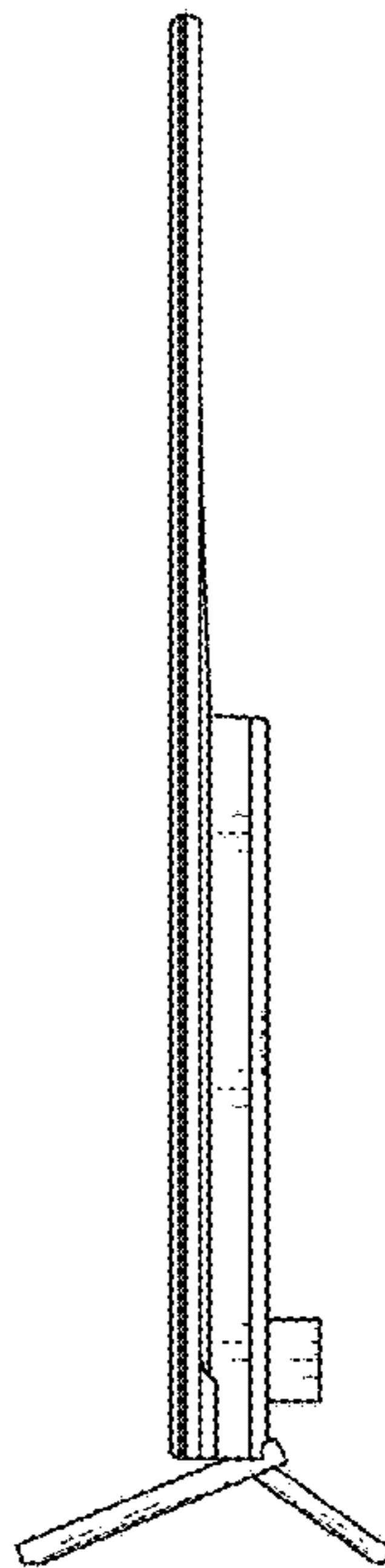
1.4



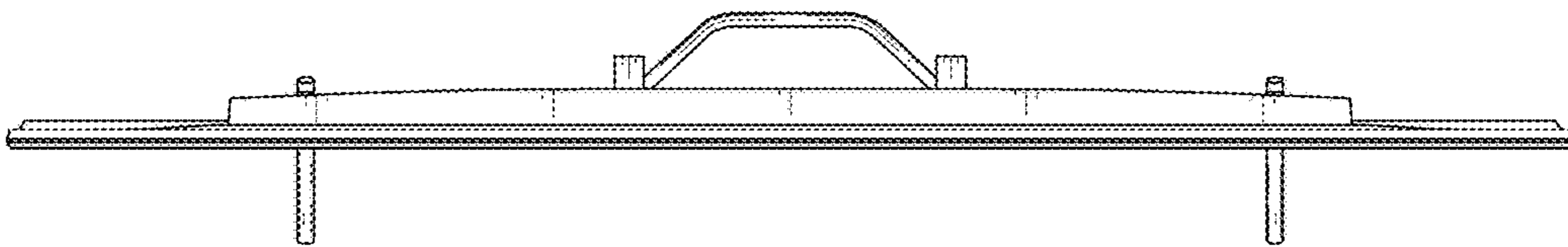
1.5



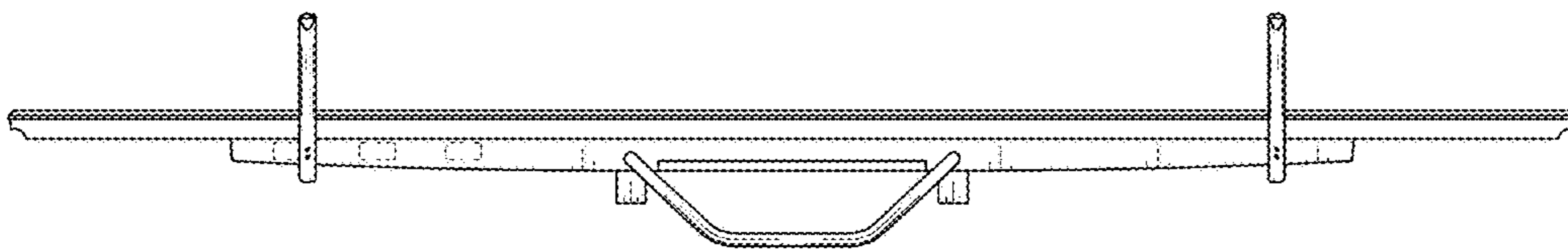
1.6



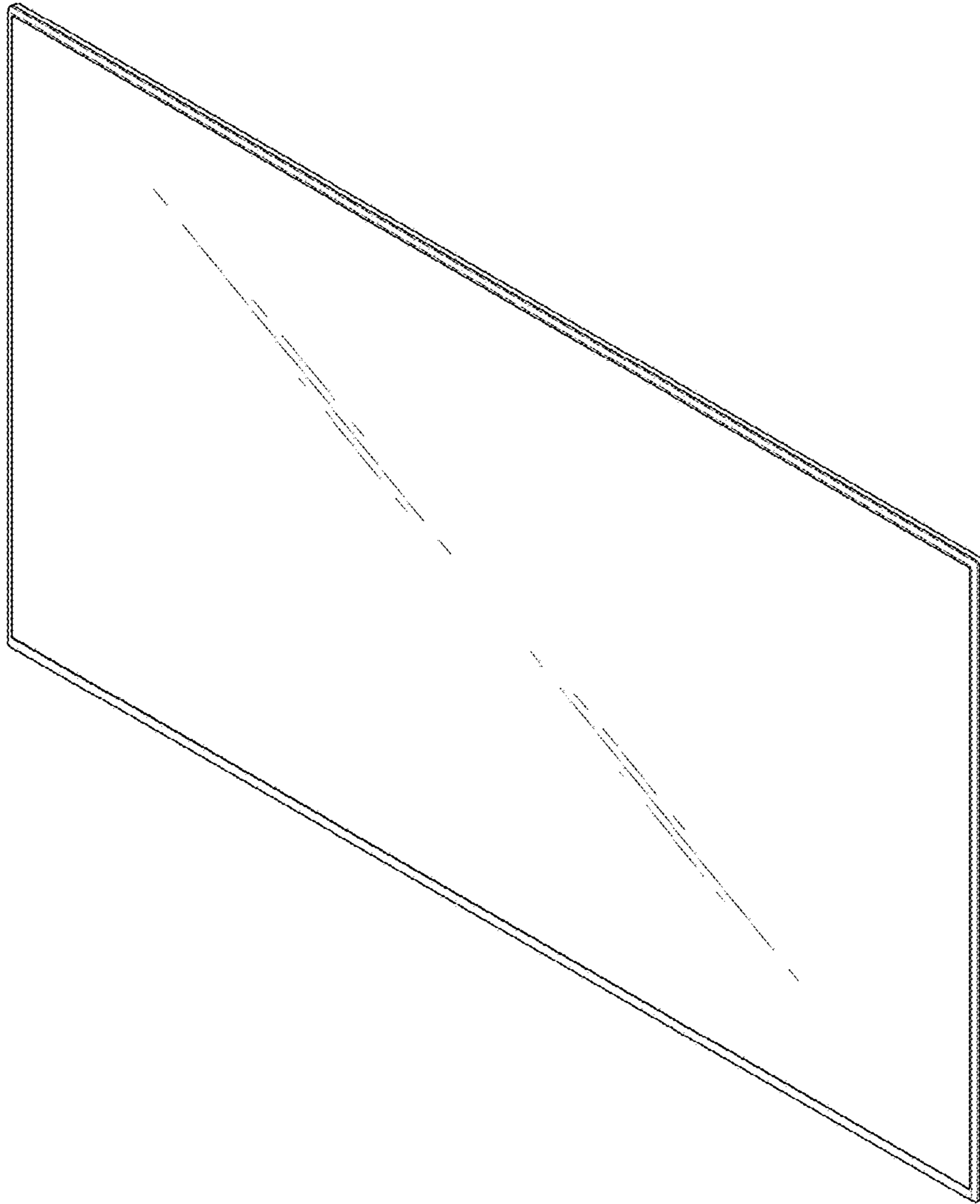
1.7



1.8

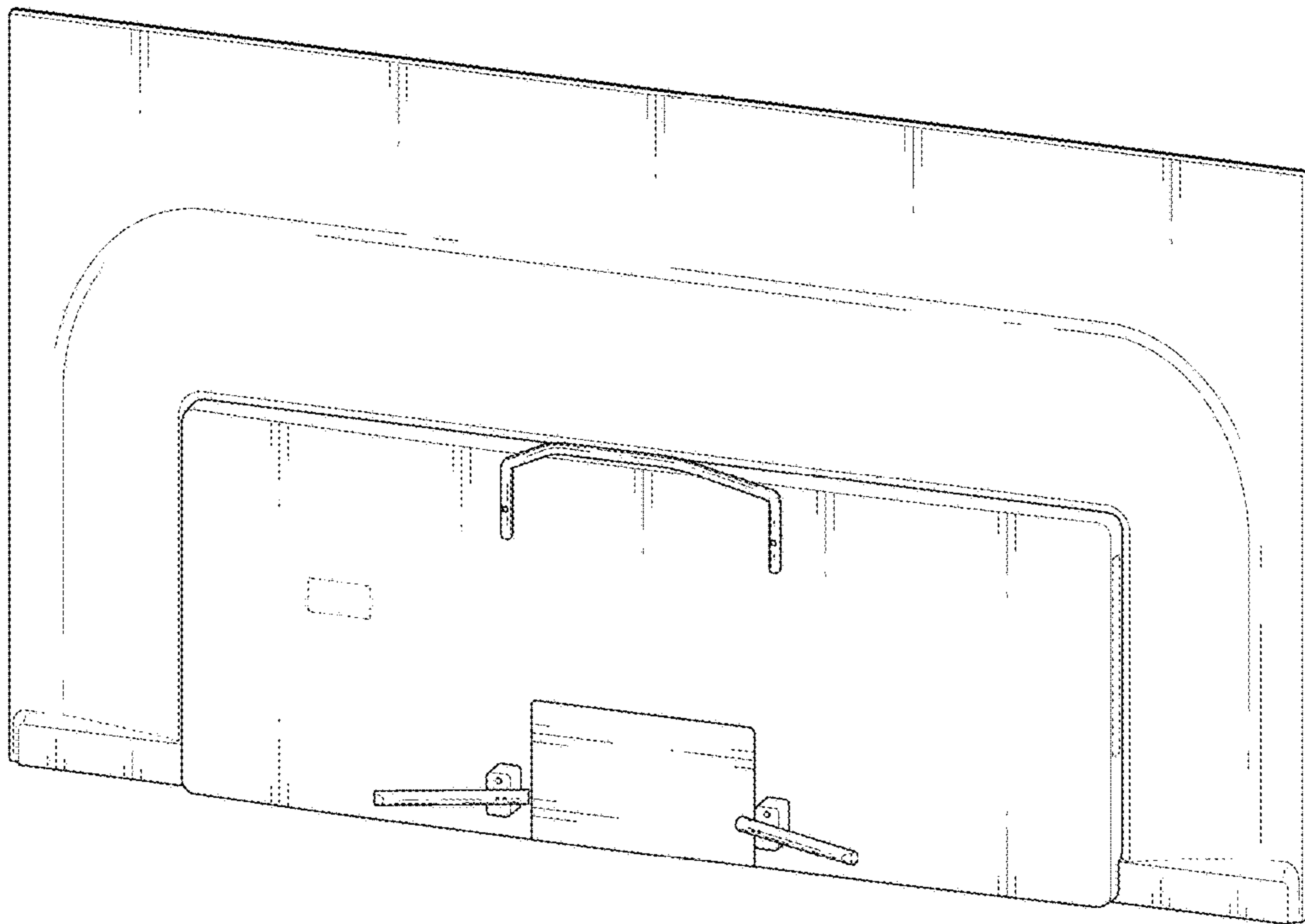


1.9

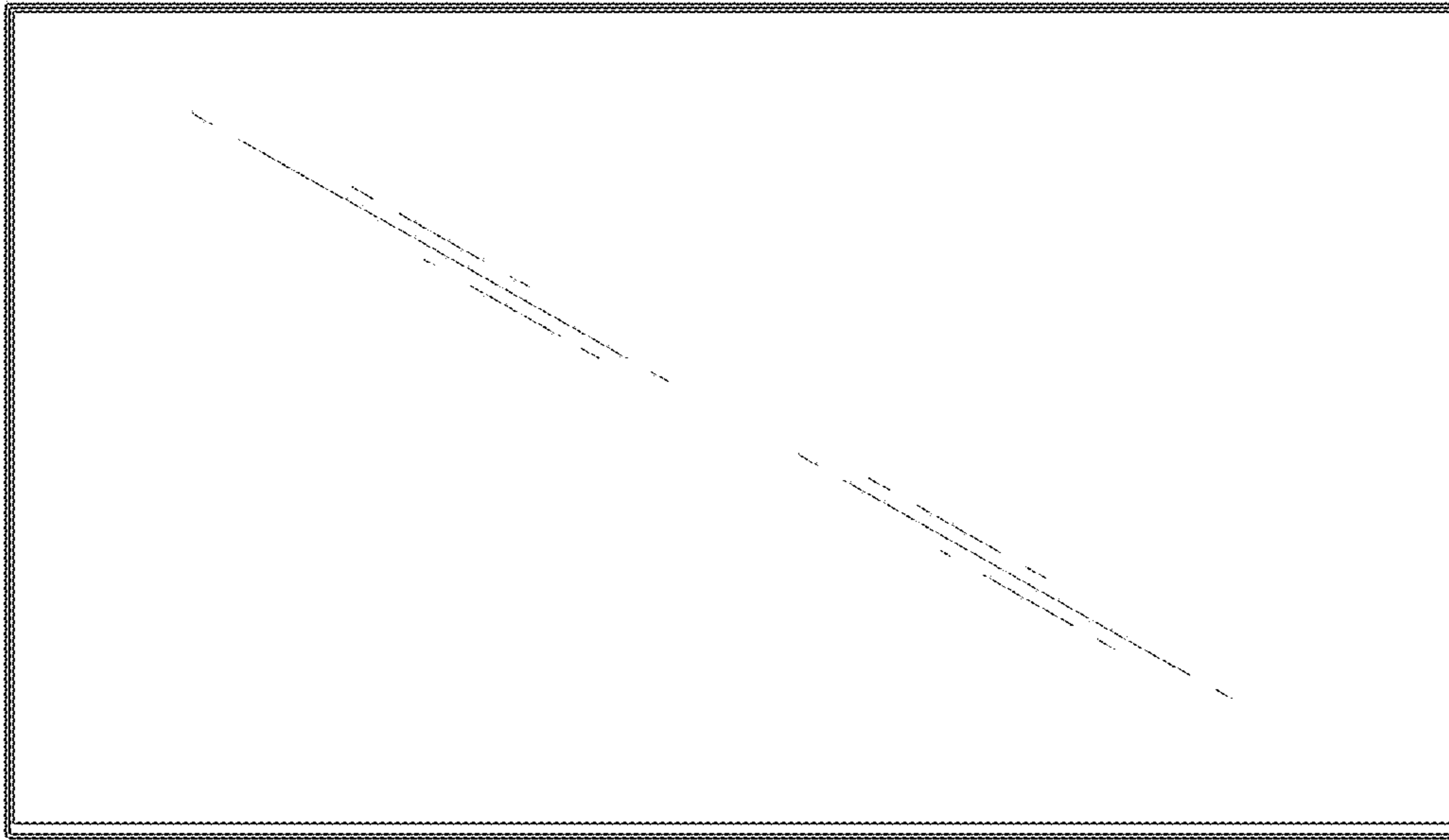




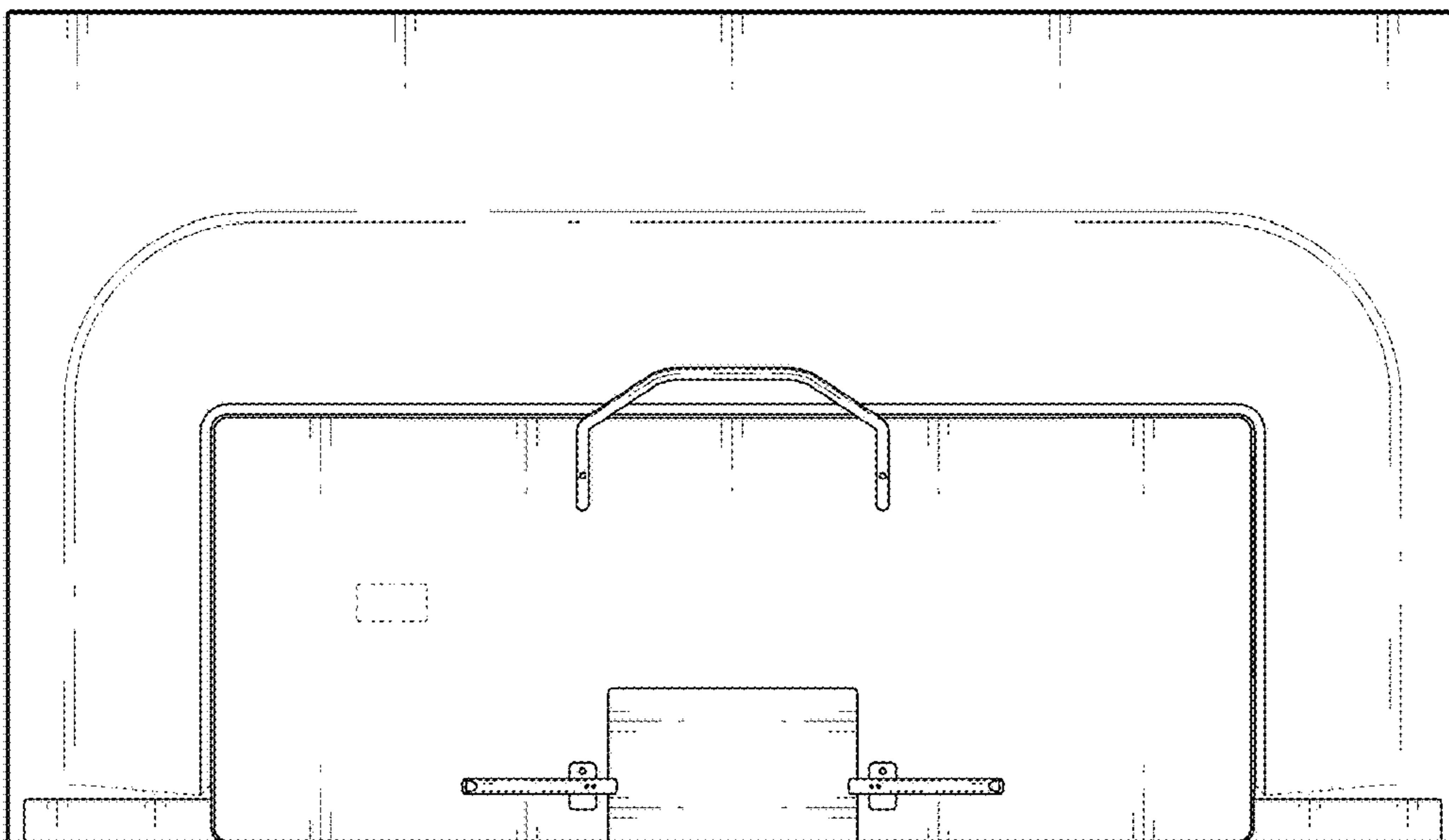
1.10



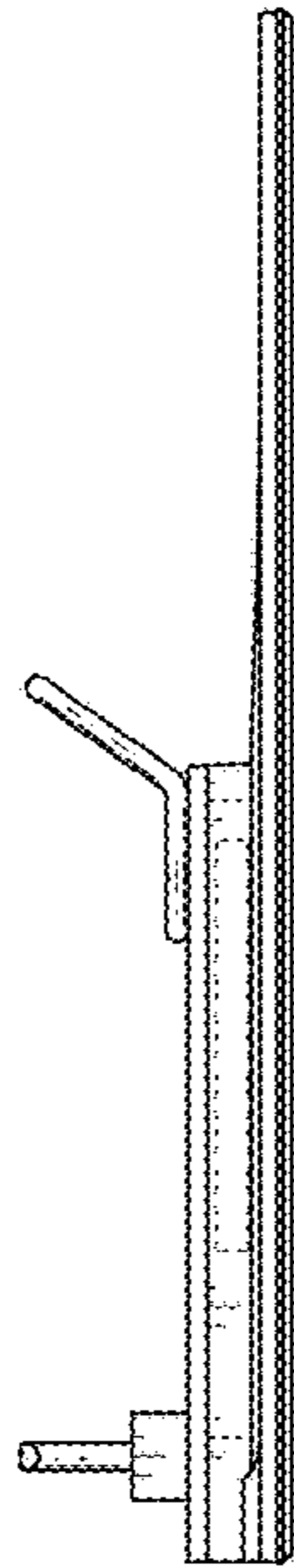
1.11



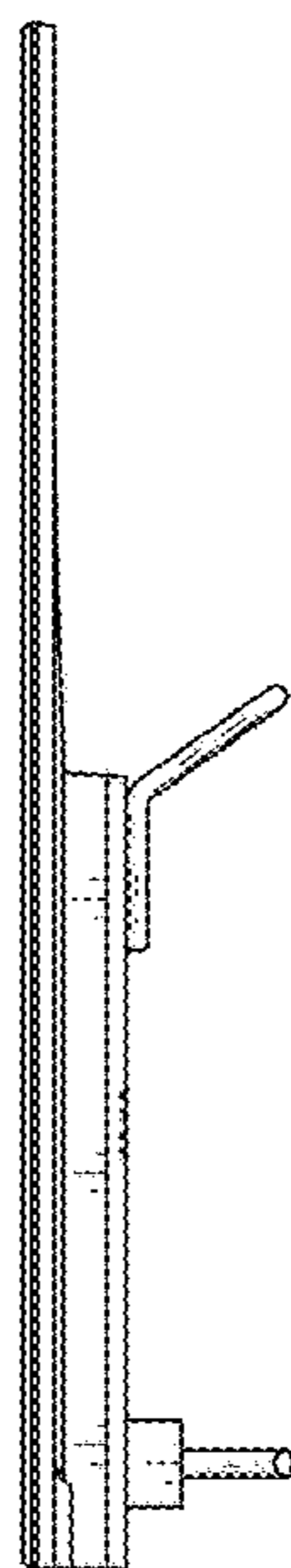
1.12



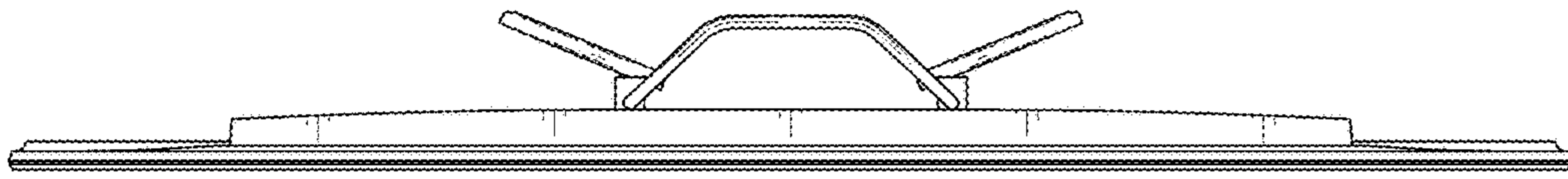
1.13



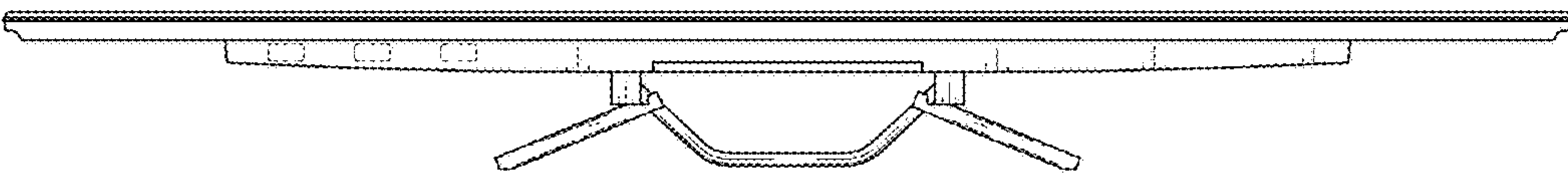
1.14



1.15



1.16



1.17

