

US00D836074S

(12) **United States Design Patent** (10) **Patent No.:** **US D836,074 S**
Sun (45) **Date of Patent:** **** Dec. 18, 2018**

(54) **DIGITAL ENDOSCOPE CAMCORDER WITH LCD DISPLAY**

(71) Applicant: **Yingjie Sun**, Shenzhen (CN)

(72) Inventor: **Yingjie Sun**, Shenzhen (CN)

(**) Term: **15 Years**

(21) Appl. No.: **29/622,779**

(22) Filed: **Oct. 19, 2017**

(51) **LOC (11) Cl.** **14-03**

(52) **U.S. Cl.**
USPC **D14/125**

(58) **Field of Classification Search**
USPC D14/125, 357-358, 496, 188, 242, 432;
D13/184; 348/10, 460, 706, 731;
340/825.03; 455/6.1, 6.2; 312/223.1, 7.2
CPC H04N 21/00; H04N 21/20; H04N 21/40
See application file for complete search history.

(56) **References Cited**

U.S. PATENT DOCUMENTS

D559,859 S * 1/2008 Kim D14/129
D578,137 S * 10/2008 Sheba D14/496
D648,314 S * 11/2011 Pail D14/203.3
D791,093 S * 7/2017 Clegg D14/125

* cited by examiner

Primary Examiner — Randall H Gholson
(74) *Attorney, Agent, or Firm* — Dunlap, Bennett & Ludwig PLLC

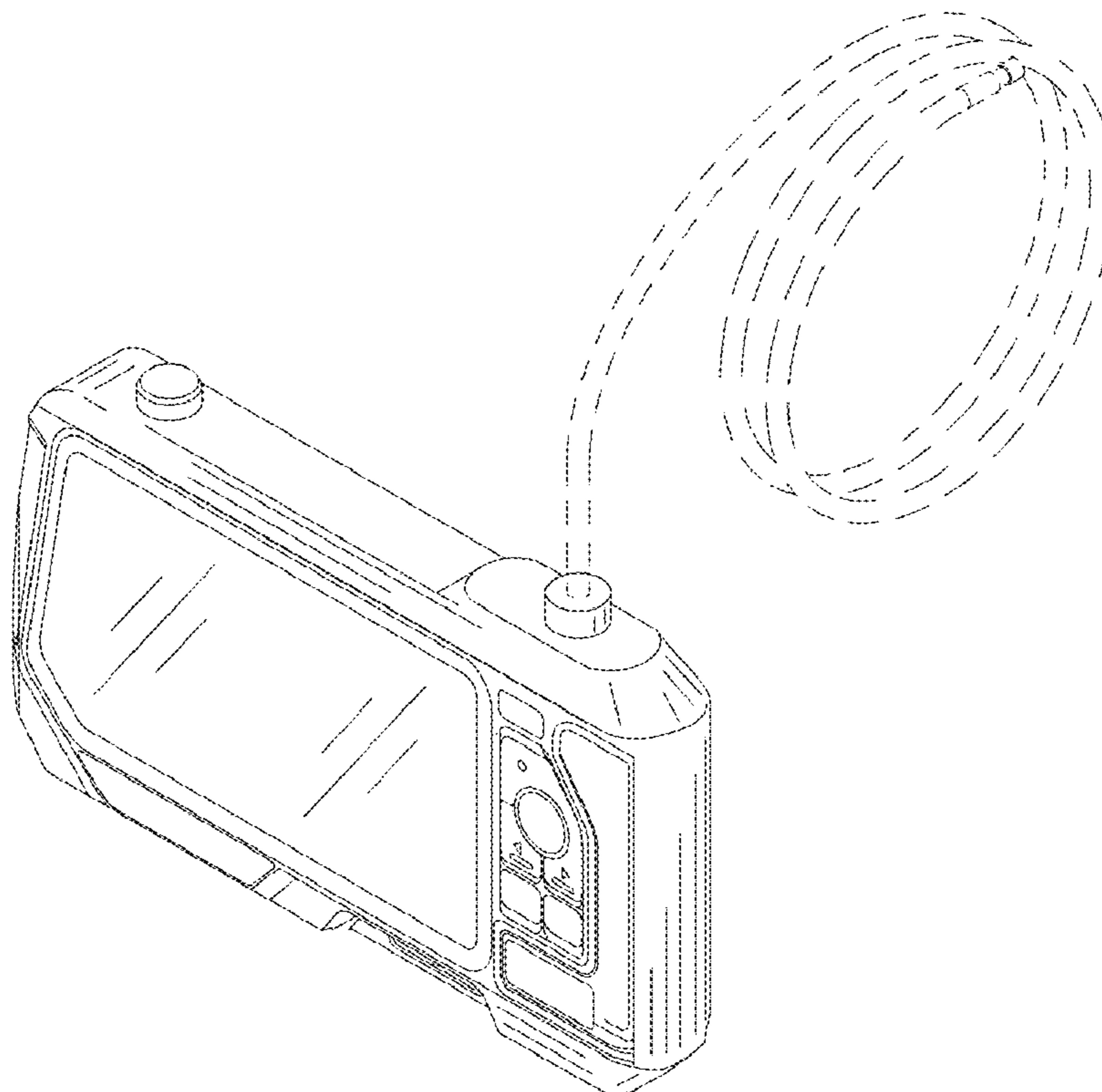
(57) **CLAIM**

The ornamental design for a digital endoscope camcorder with LCD display, as shown and described.

DESCRIPTION

FIG. 1 is a front perspective view of a digital endoscope camcorder with LCD display, showing my new design; FIG. 2 is a front elevation view thereof; FIG. 3 is a rear perspective view thereof; FIG. 4 is a rear elevation view thereof; FIG. 5 is a right-side elevation view thereof; FIG. 6 is a top plan view thereof; FIG. 7 is a bottom plan view thereof; and, FIG. 8 is a left-side elevation view thereof. The broken lines shown in the drawings depict portions of the digital endoscope camcorder with LCD display that form no part of the claimed design.

1 Claim, 4 Drawing Sheets



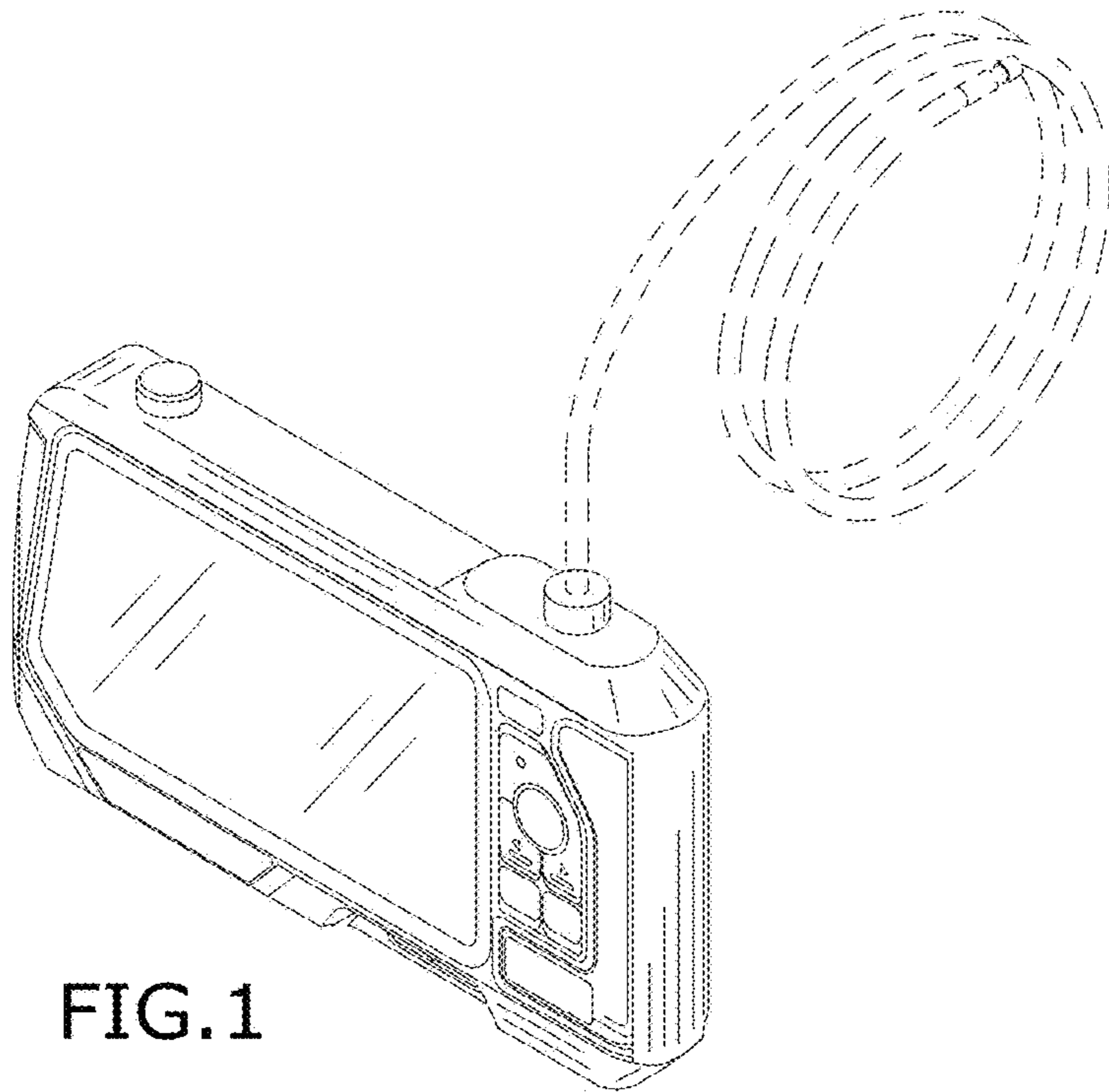


FIG. 1

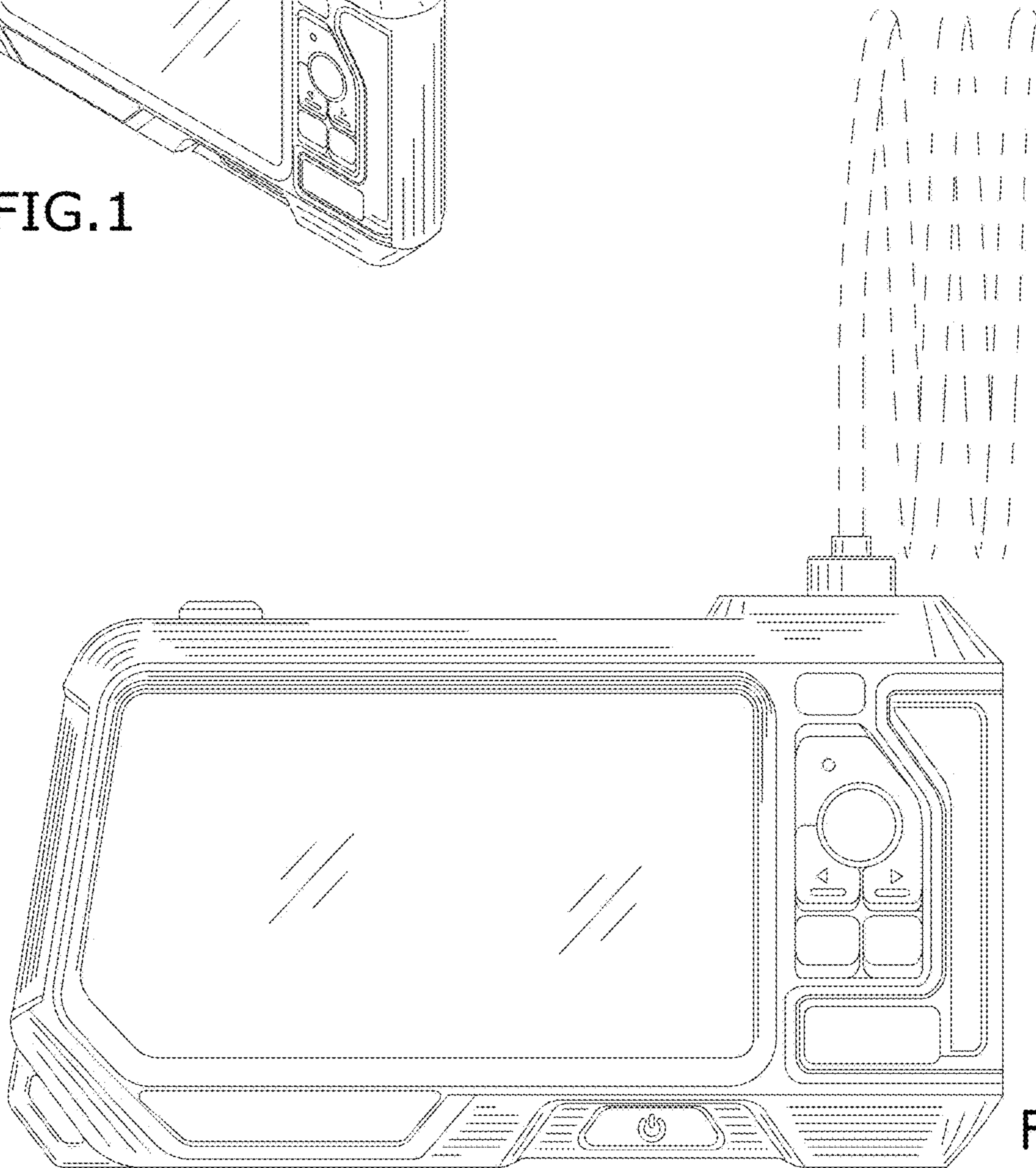


FIG. 2

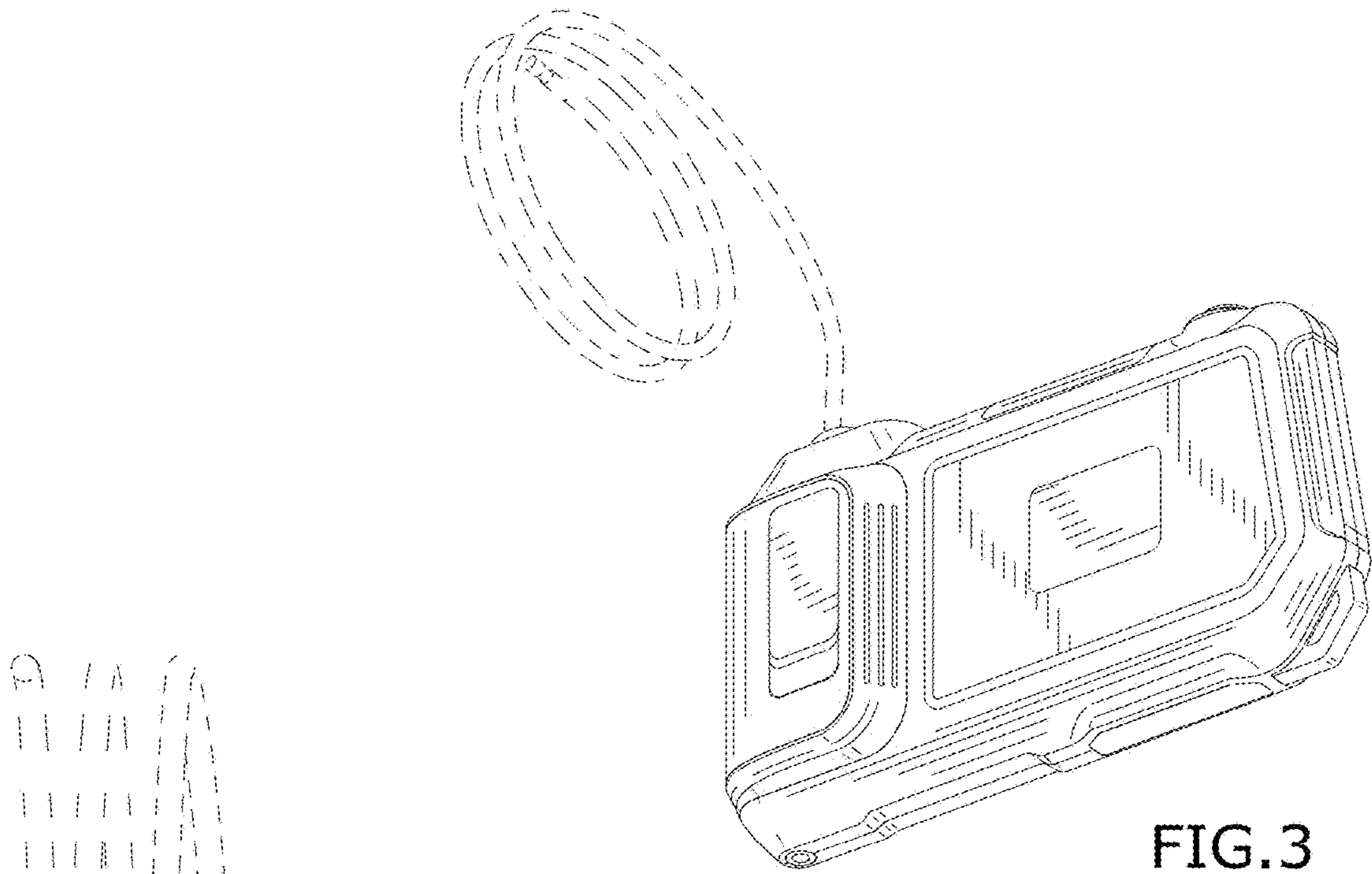


FIG. 3

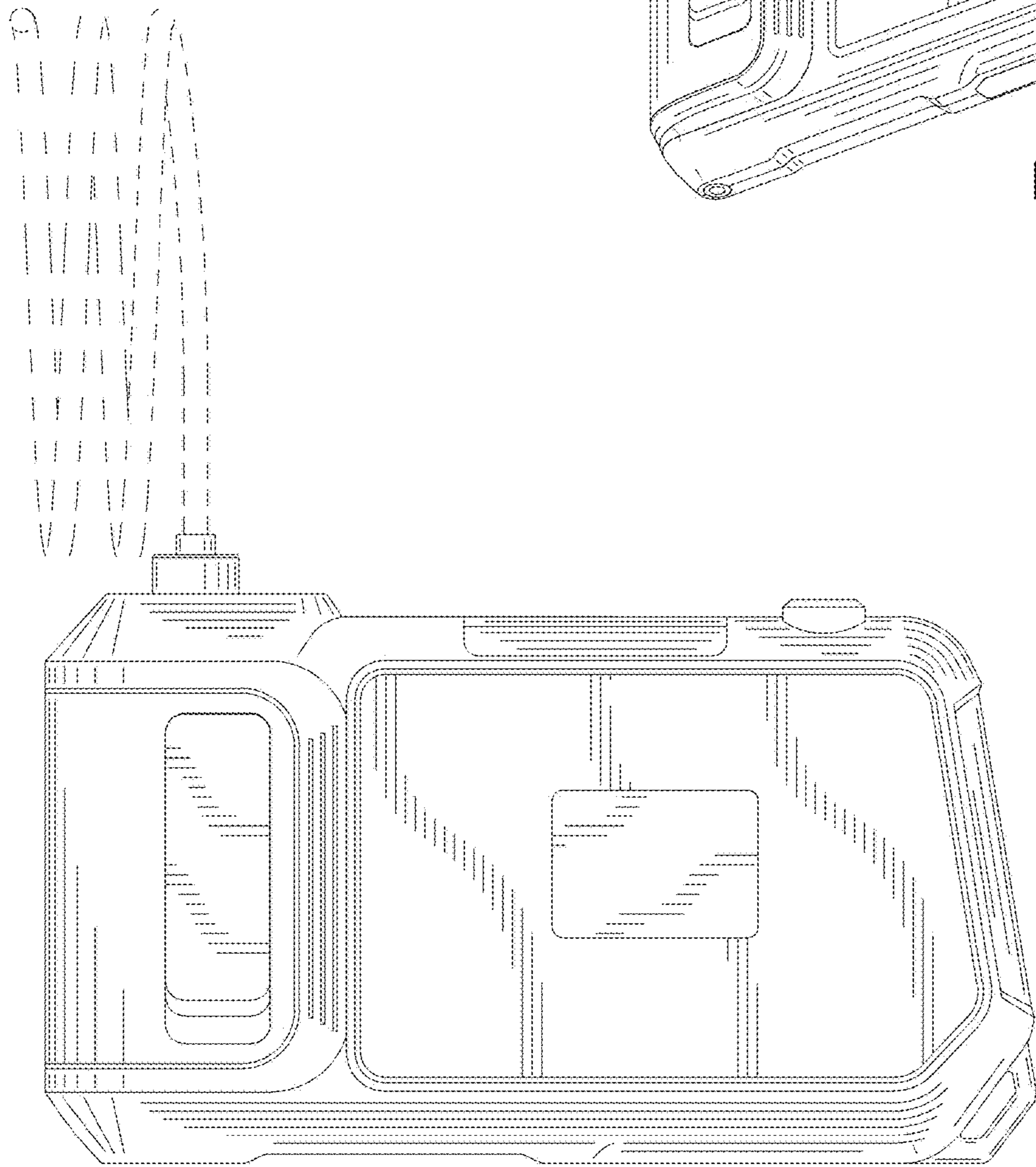


FIG. 4

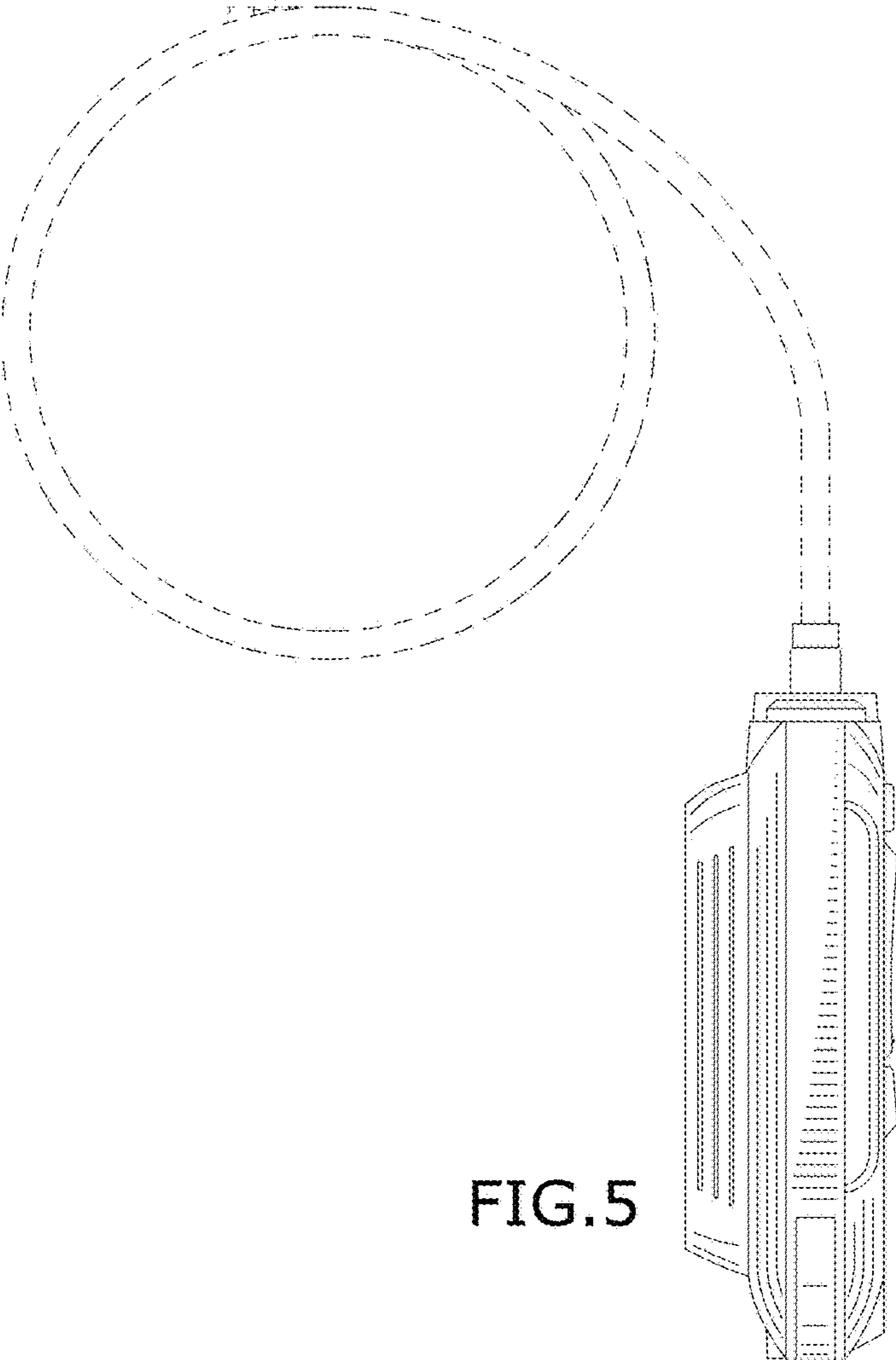


FIG. 5

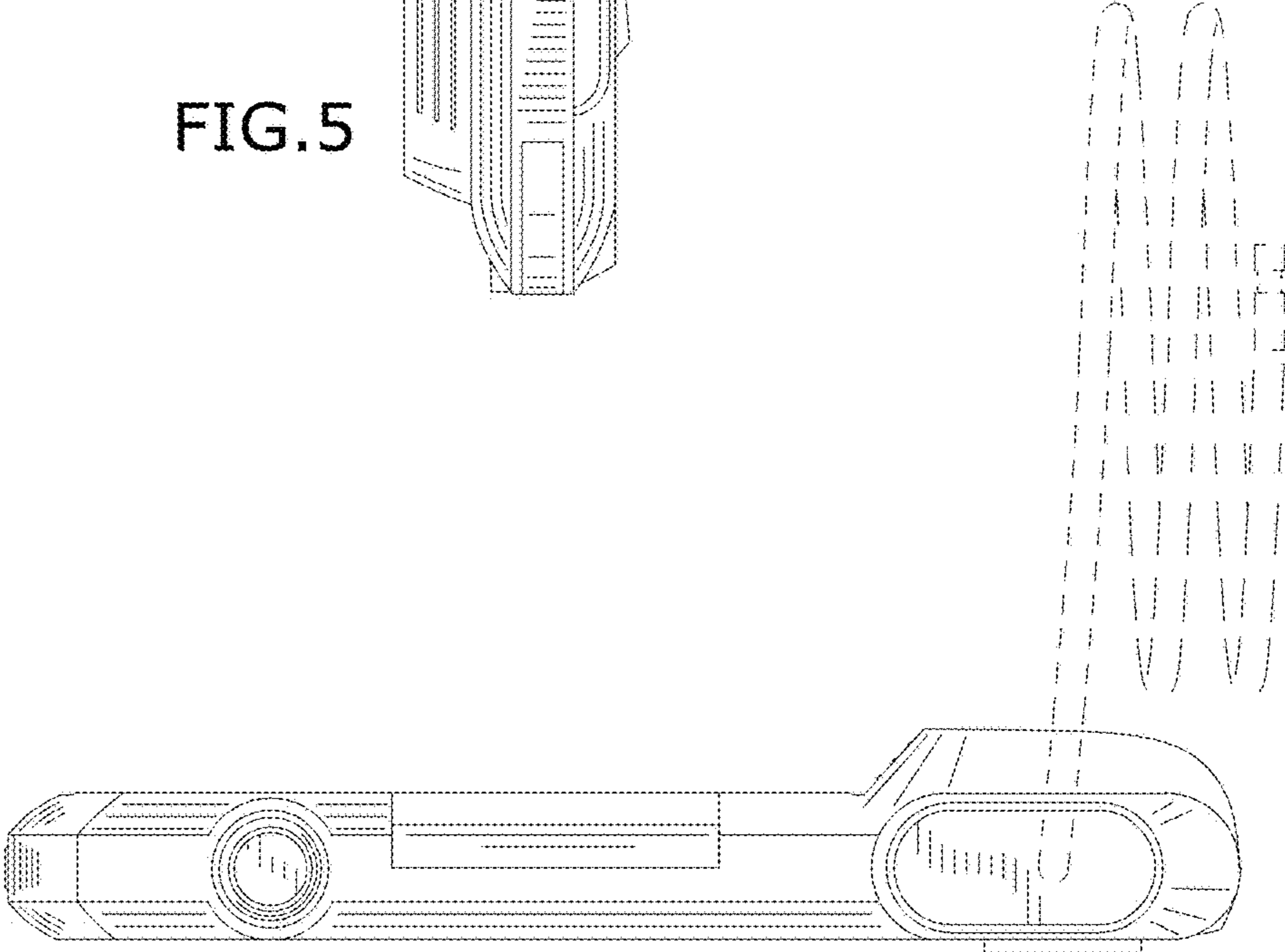


FIG. 6

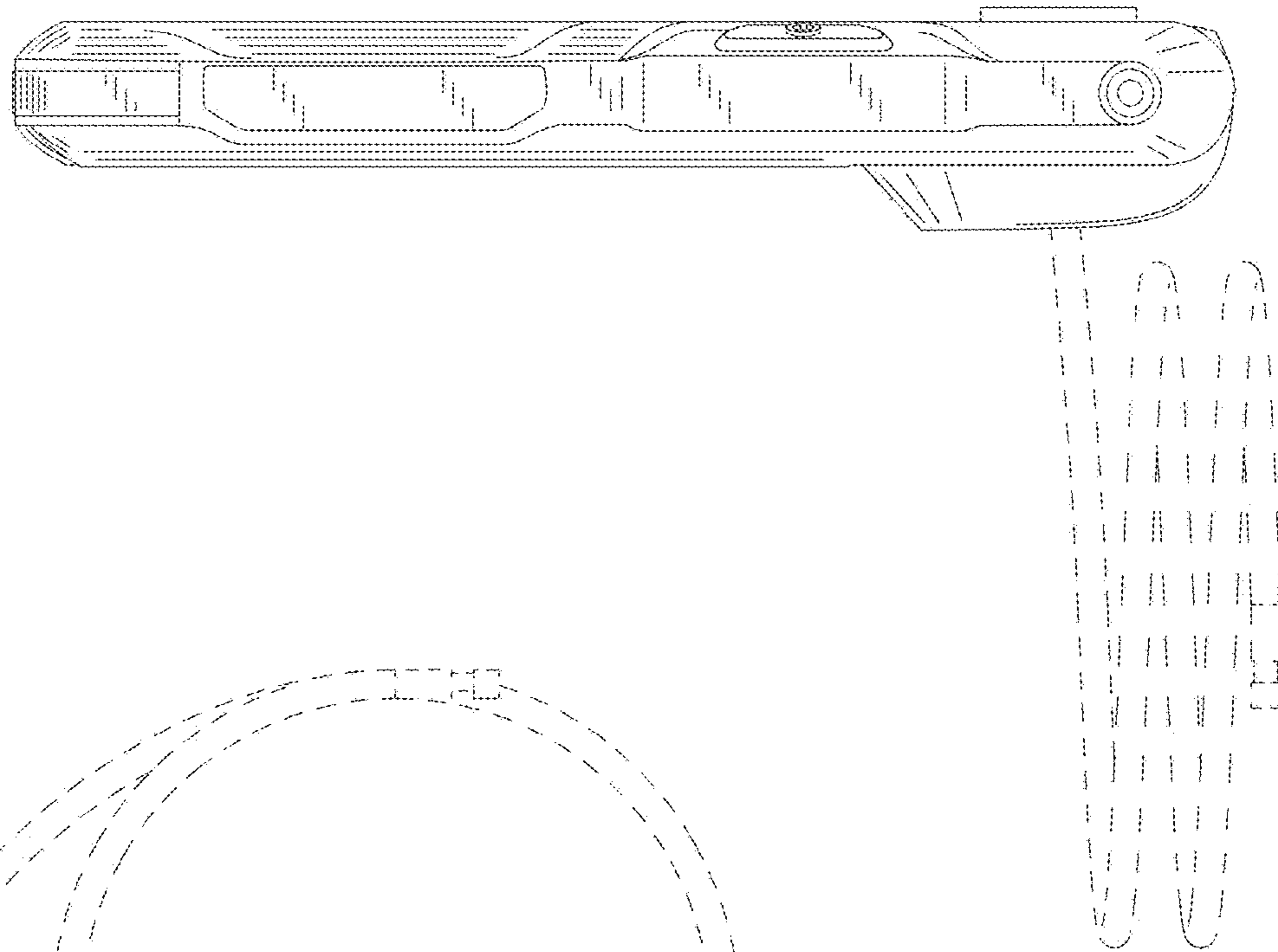


FIG. 7

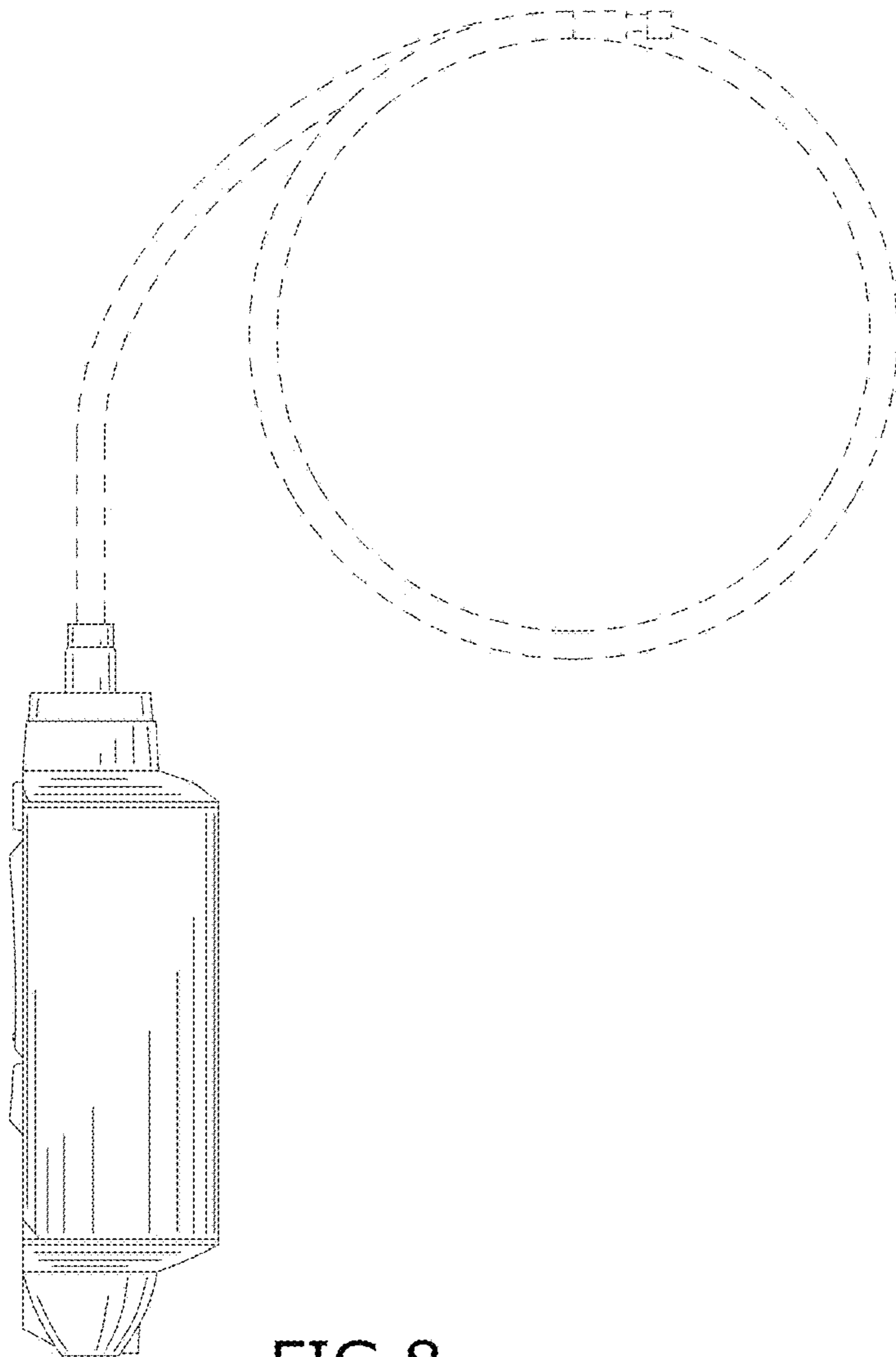


FIG. 8